



US00D367932S

United States Patent [19]

Lim

[11] Patent Number: **Des. 367,932**

[45] Date of Patent: ****Mar. 12, 1996**

[54] **COMPARTMENTED CONTAINER FOR MICROBIOLOGICAL SAMPLES**

[76] Inventor: **Pak L. Lim**, Clinical Immunology Unit, Department of Medicine, Prince of Wales Hospital, Shatin, New Territories, Hong Kong

[**] Term: **14 Years**

[21] Appl. No.: **27,943**

[22] Filed: **Sep. 2, 1994**

[30] **Foreign Application Priority Data**

Mar. 3, 1994 [GB] United Kingdom 2037508

[52] U.S. Cl. **D24/226; D24/224**

[58] Field of Search D24/224, 226, D24/225; 422/102, 100, 104; 356/246, 240, 245

[56] **References Cited**

U.S. PATENT DOCUMENTS

D. 265,124 6/1982 Terk D24/226

D. 266,589 10/1982 Gilford D24/226
3,540,858 11/1970 Rochte et al. 422/102 X
3,951,608 4/1976 Trod D24/226 X
4,956,150 9/1990 Henry D24/226 X

Primary Examiner—Louis S. Zarfaz
Assistant Examiner—I. Simmons
Attorney, Agent, or Firm—Gunn, Lee & Miller

[57] **CLAIM**

The ornamental design for a compartmented container for microbiological samples, as shown and described.

DESCRIPTION

FIG. 1 is a top, side and end perspective view of a compartmented container for microbiological samples showing my new design;

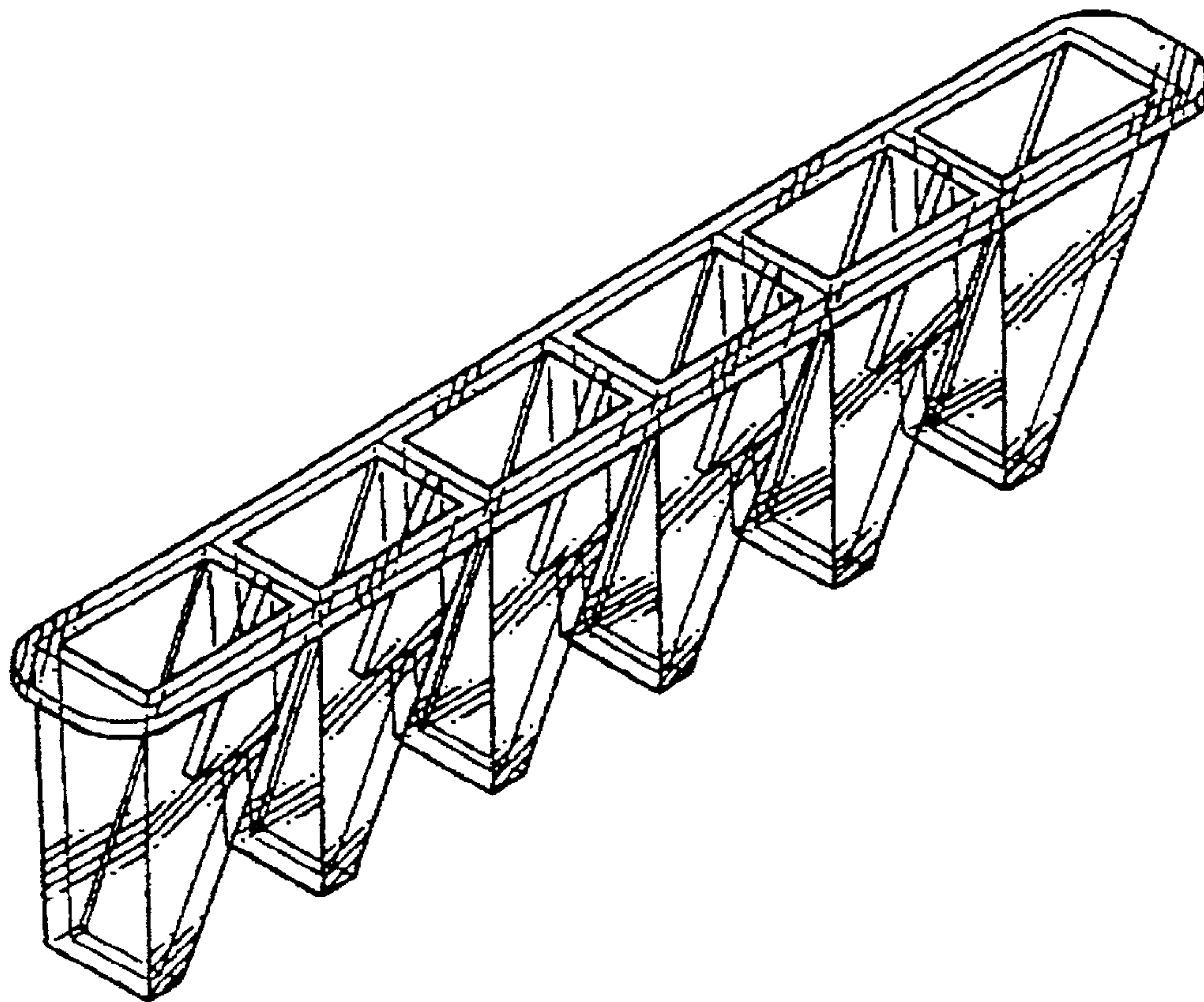
FIG. 2 is a side elevational view thereof, opposite side corresponds;

FIG. 3 is a top plan view thereof;

FIG. 4 is a bottom plan view thereof; and,

FIG. 5 is an end elevational view thereof, opposite end corresponds.

1 Claim, 2 Drawing Sheets



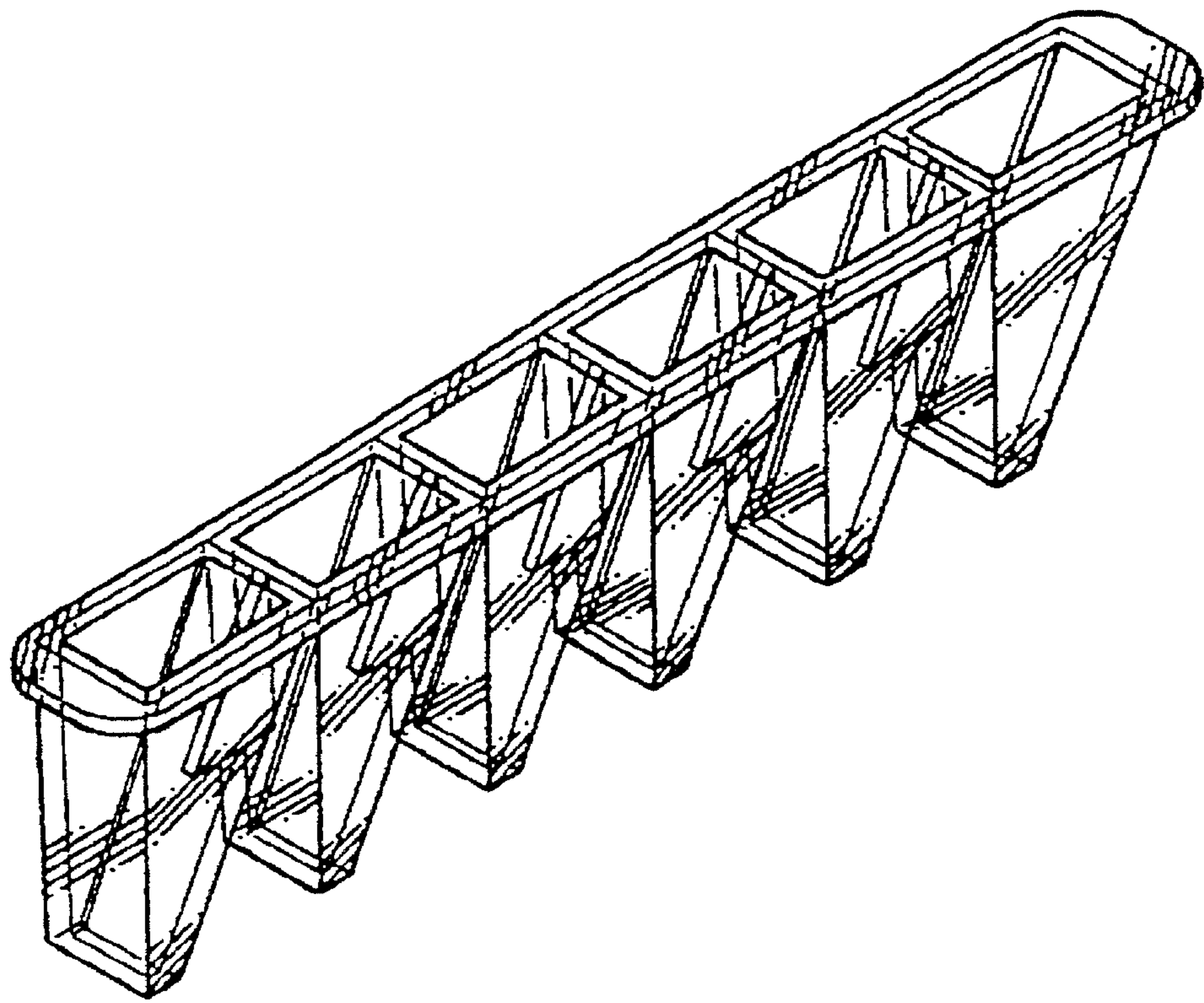


FIG. 1



FIG. 3

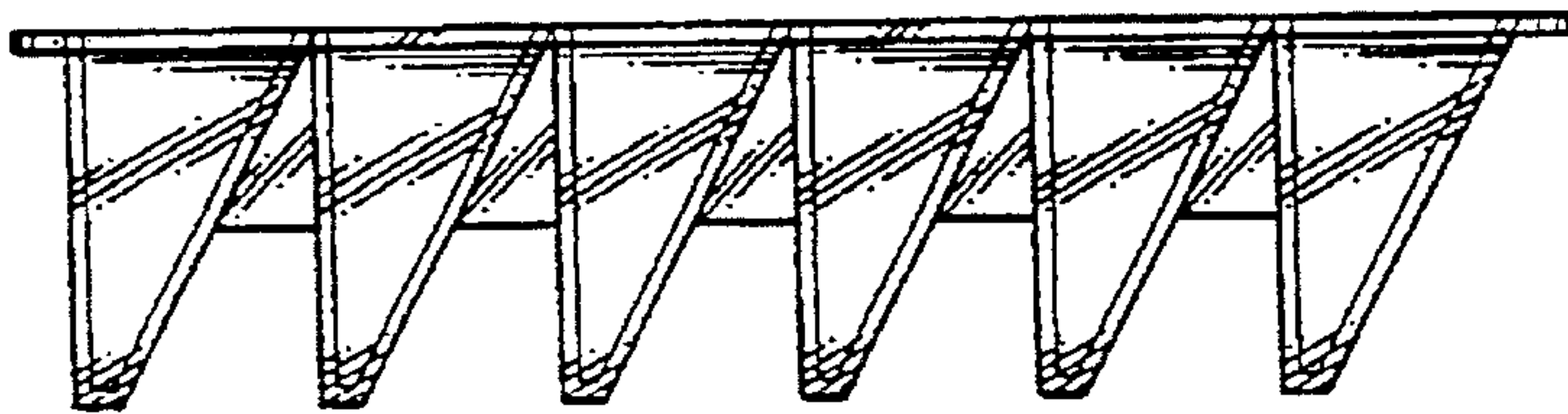


FIG. 2

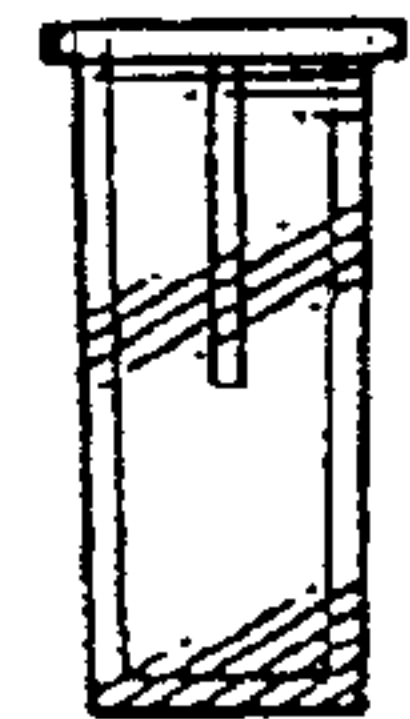


FIG. 5

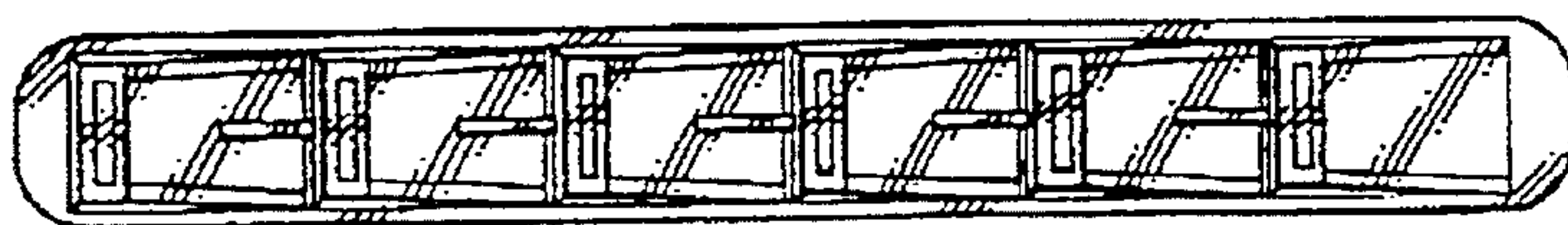


FIG. 4