



US00D367927S

# United States Patent [19]

[11] Patent Number: Des. 367,927

Dolan

[45] Date of Patent: \*\*Mar. 12, 1996

## [54] COMBINED CEILING FAN MOTOR HOUSING AND SUPPORT ARMS UNIT

[76] Inventor: Patrick Dolan, 1020 SW. Westwood Ct., Portland, Oreg. 97201

[\*\*] Term: 14 Years

[21] Appl. No.: 31,593

[22] Filed: Nov. 29, 1994

[52] U.S. Cl. .... D23/411; D23/377; D23/379

[58] Field of Search ..... D23/377, 379, D23/385, 411; 416/5; 392/364; 362/96; D26/85, 59, 81-84, 86, 88

### [56] References Cited

#### U.S. PATENT DOCUMENTS

D. 46,966	2/1915	Pickhardt	.....	D26/88
D. 57,027	1/1921	Westphal	.....	D26/134
D. 311,247	10/1990	Sonneman	.....	D23/377
D. 314,046	1/1991	Yen	.....	D23/377
D. 328,638	8/1992	Hsieh	.....	D26/85
D. 346,210	4/1994	Holbrook	.....	D23/377
D. 352,997	11/1994	DiPasquale	.....	D23/379

Primary Examiner—Lisa P. Lichtenstein  
Attorney, Agent, or Firm—Harold E. Meier

### [57] CLAIM

The ornamental design for a combined ceiling fan motor housing and support arms unit, as shown and described.

#### DESCRIPTION

FIG. 1 is a side elevation view of a combined ceiling fan

motor housing support arms unit showing my new design, the other sides being substantially identical to that shown;

FIG. 2 is a bottom view thereof;

FIG. 3 is a top view thereof;

FIG. 4 is an enlarged side elevation view of the top portion of the combined ceiling fan motor housing and support arms unit shown separately for clarity of illustration;

FIG. 5 is an enlarged bottom view of the top portion of the combined ceiling fan motor housing and support arms unit shown separately for clarity of illustration;

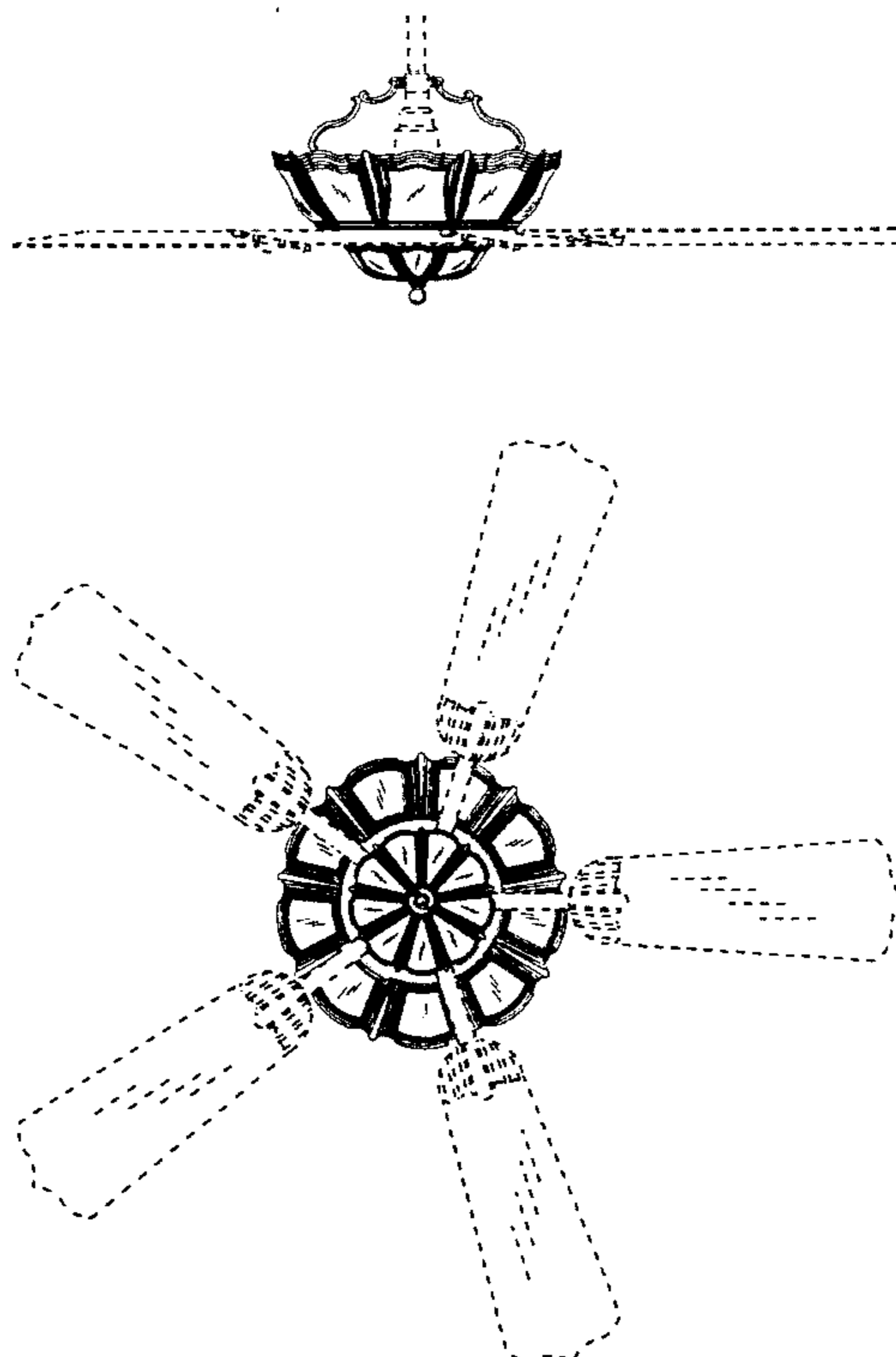
FIG. 6 is an enlarged side elevation view of the bottom portion of the combined ceiling fan motor housing and support arms unit shown separately for clarity of illustration;

FIG. 7 is an enlarged bottom view of the bottom portion of the combined ceiling fan motor housing and support arms unit shown separately for clarity of illustration; and,

FIG. 8 is a greatly enlarged side elevation view of one of the top decorative arms of the combined ceiling fan motor housing and support arms unit shown separately for clarity of illustration.

The broken line showing of environmental structure in FIGS. 1-3 is for illustrative purposes only and forms no part of the claimed design.

1 Claim, 5 Drawing Sheets



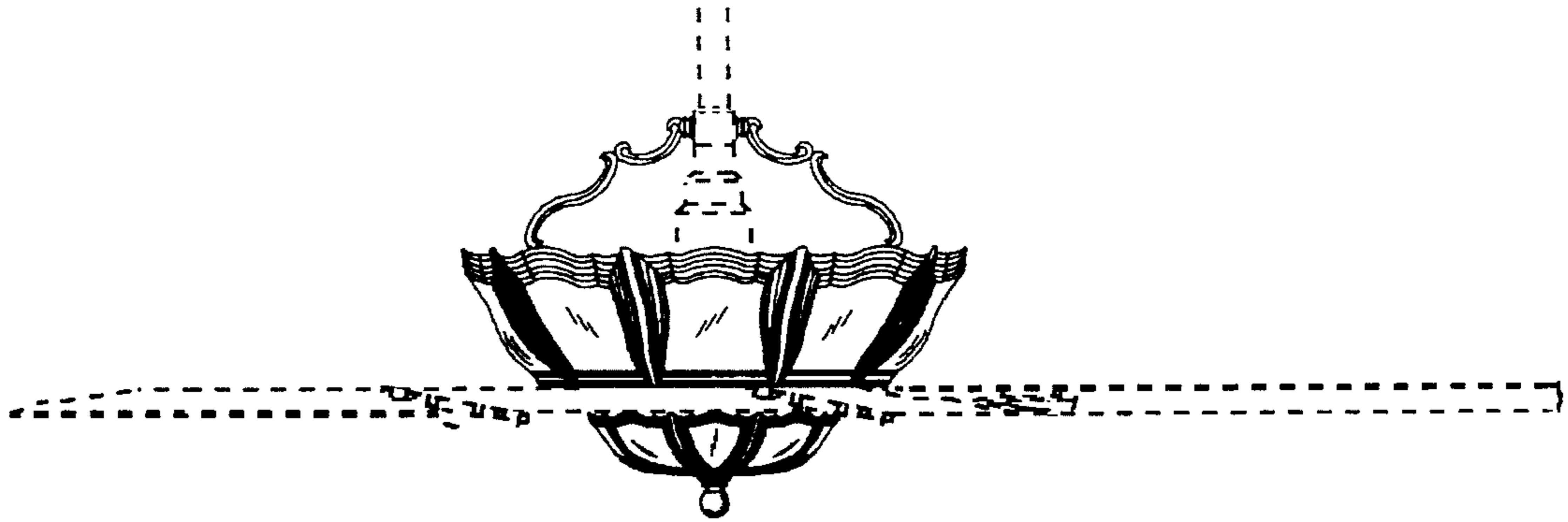


FIG. 1

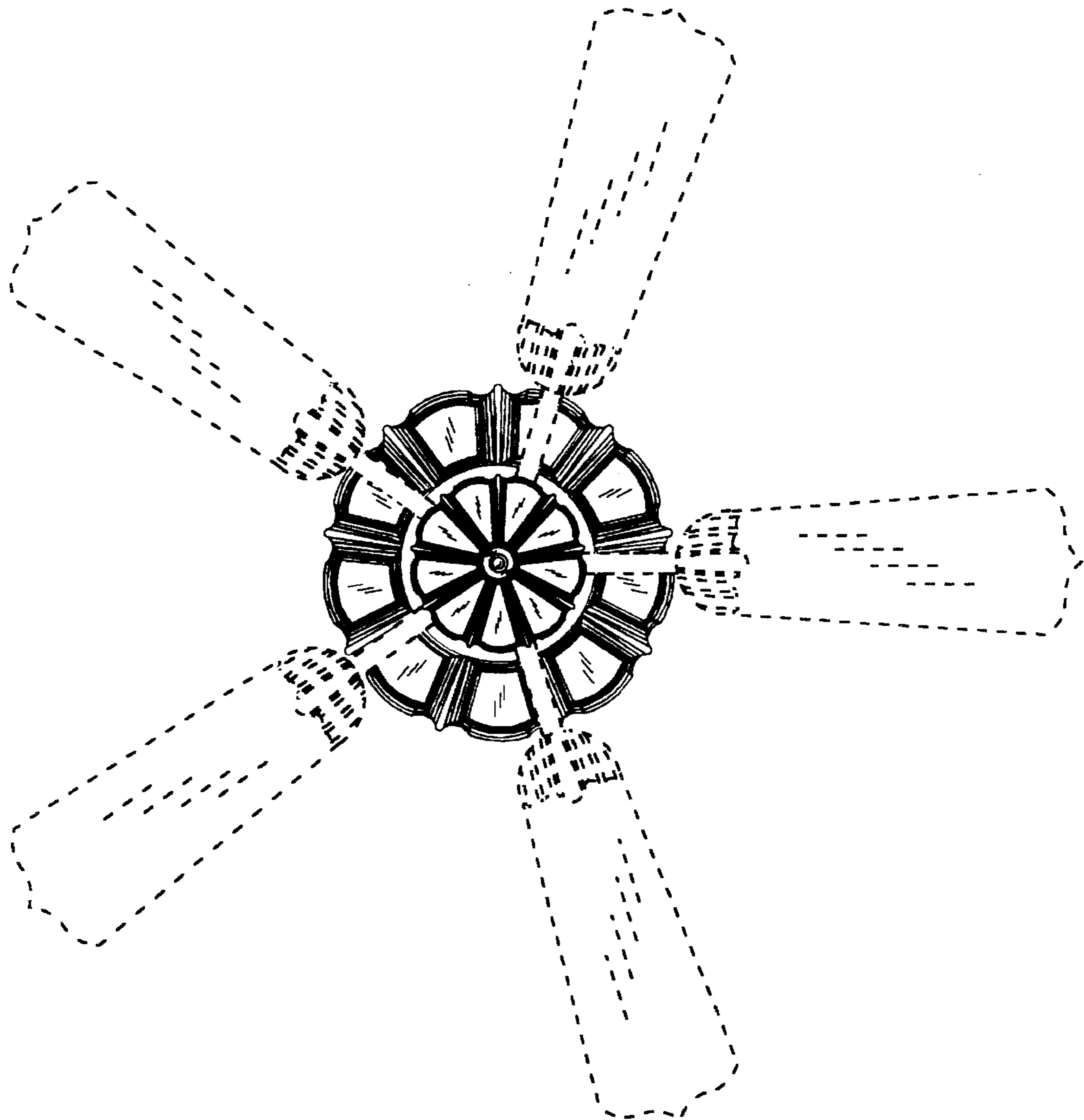


FIG. 2

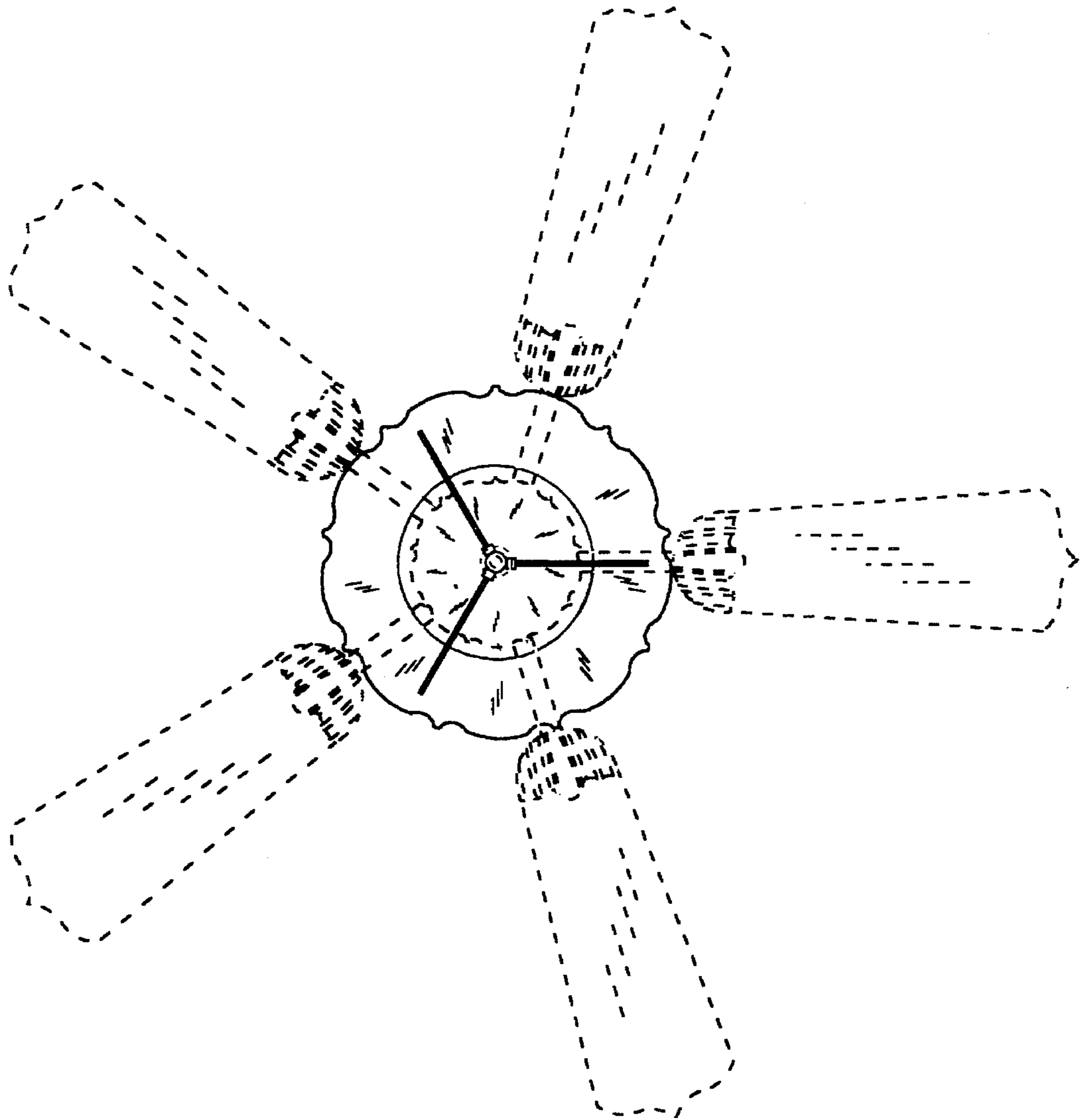


FIG. 3

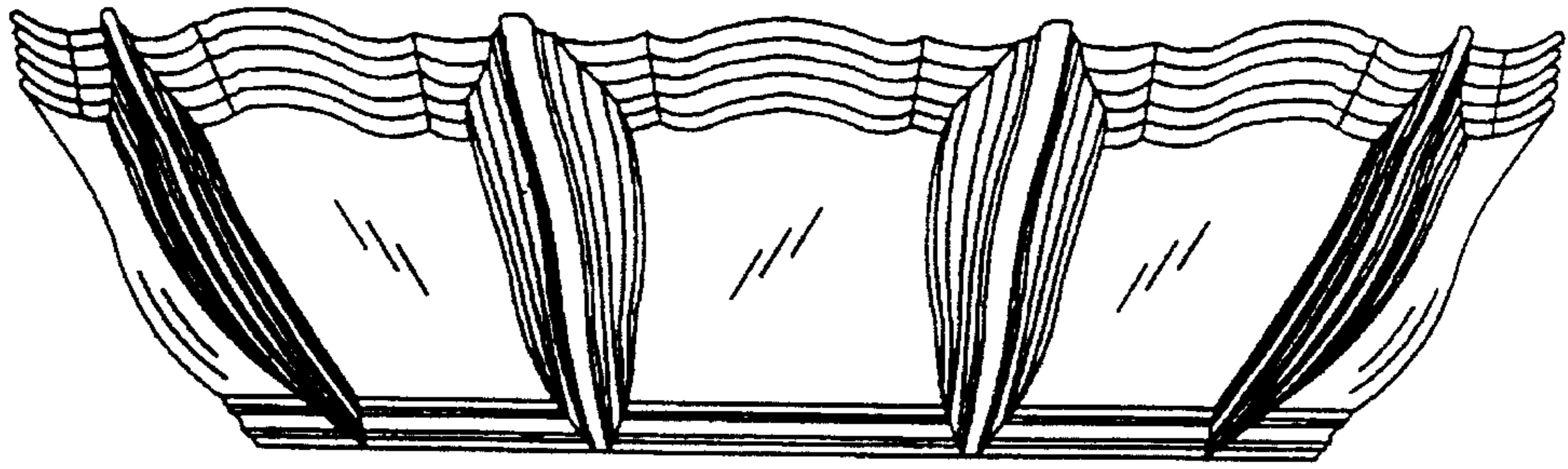


FIG. 4

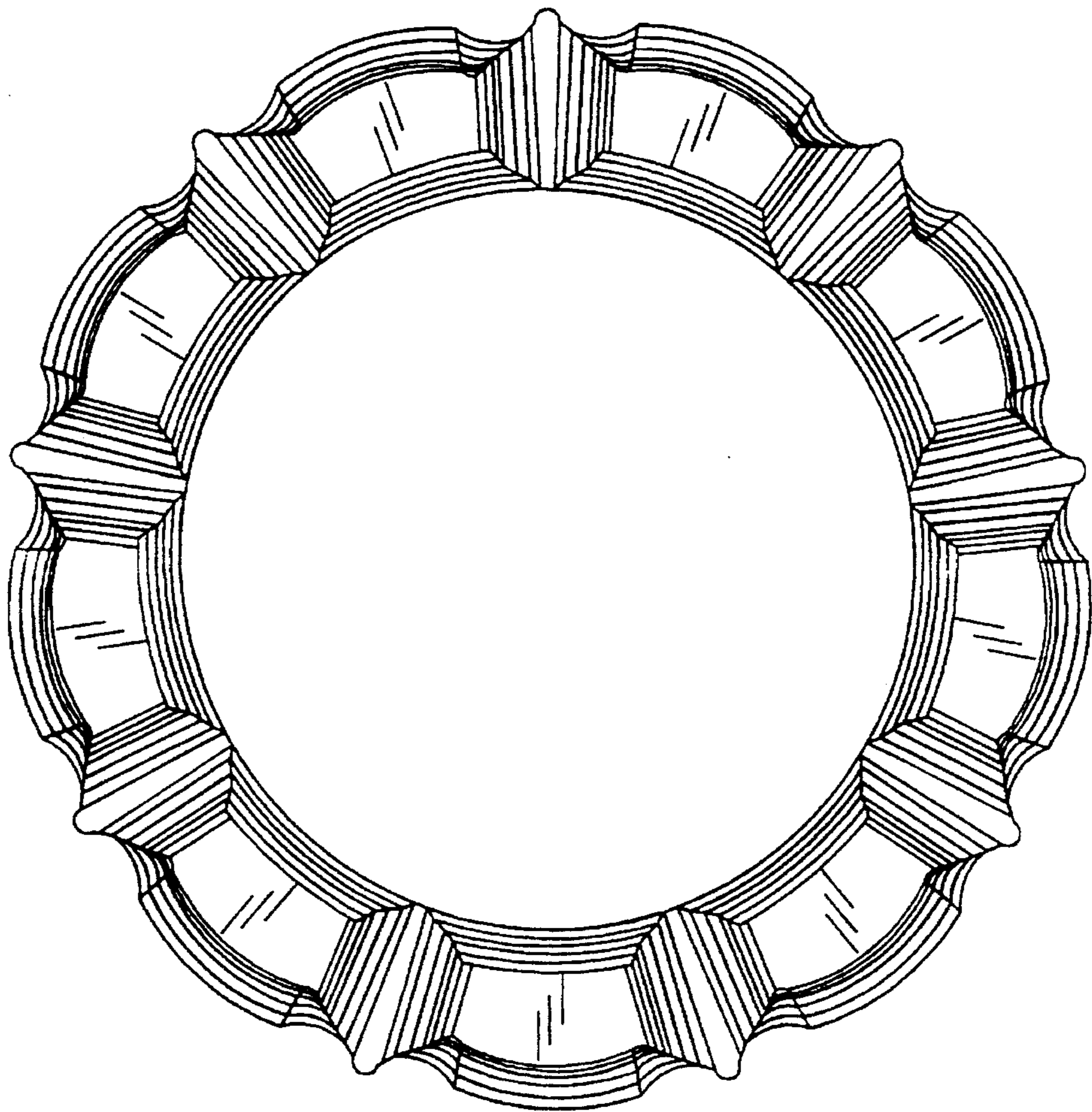


FIG. 5

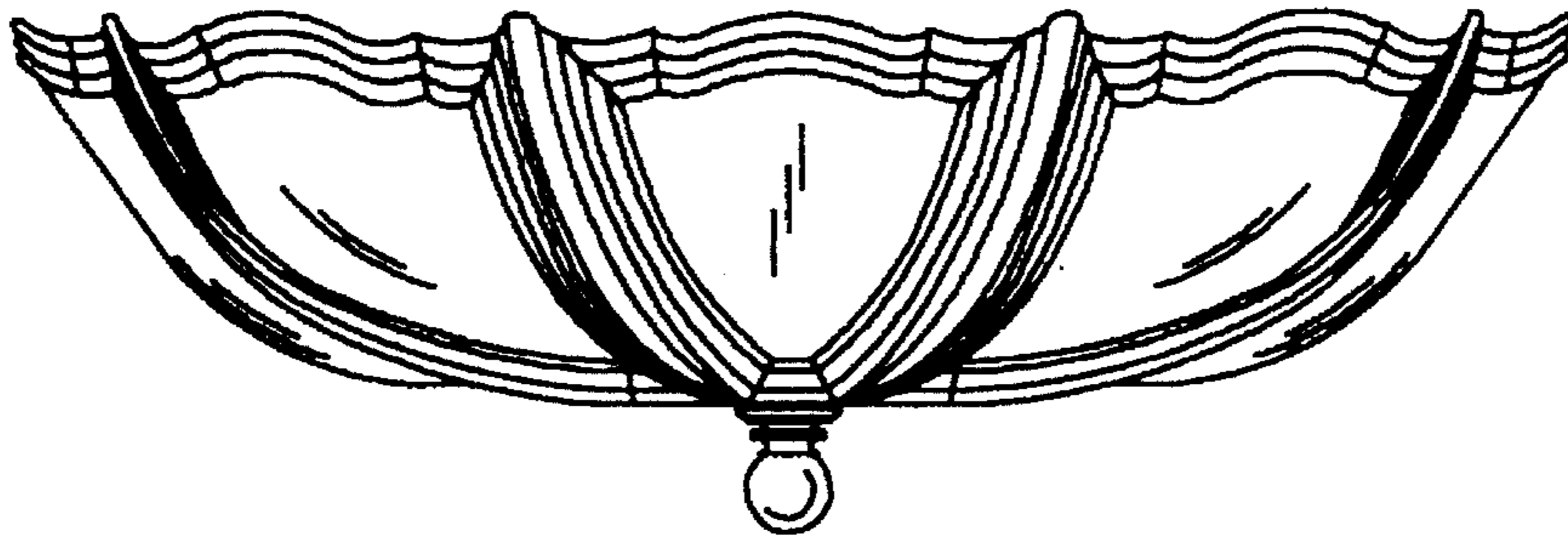


FIG. 6

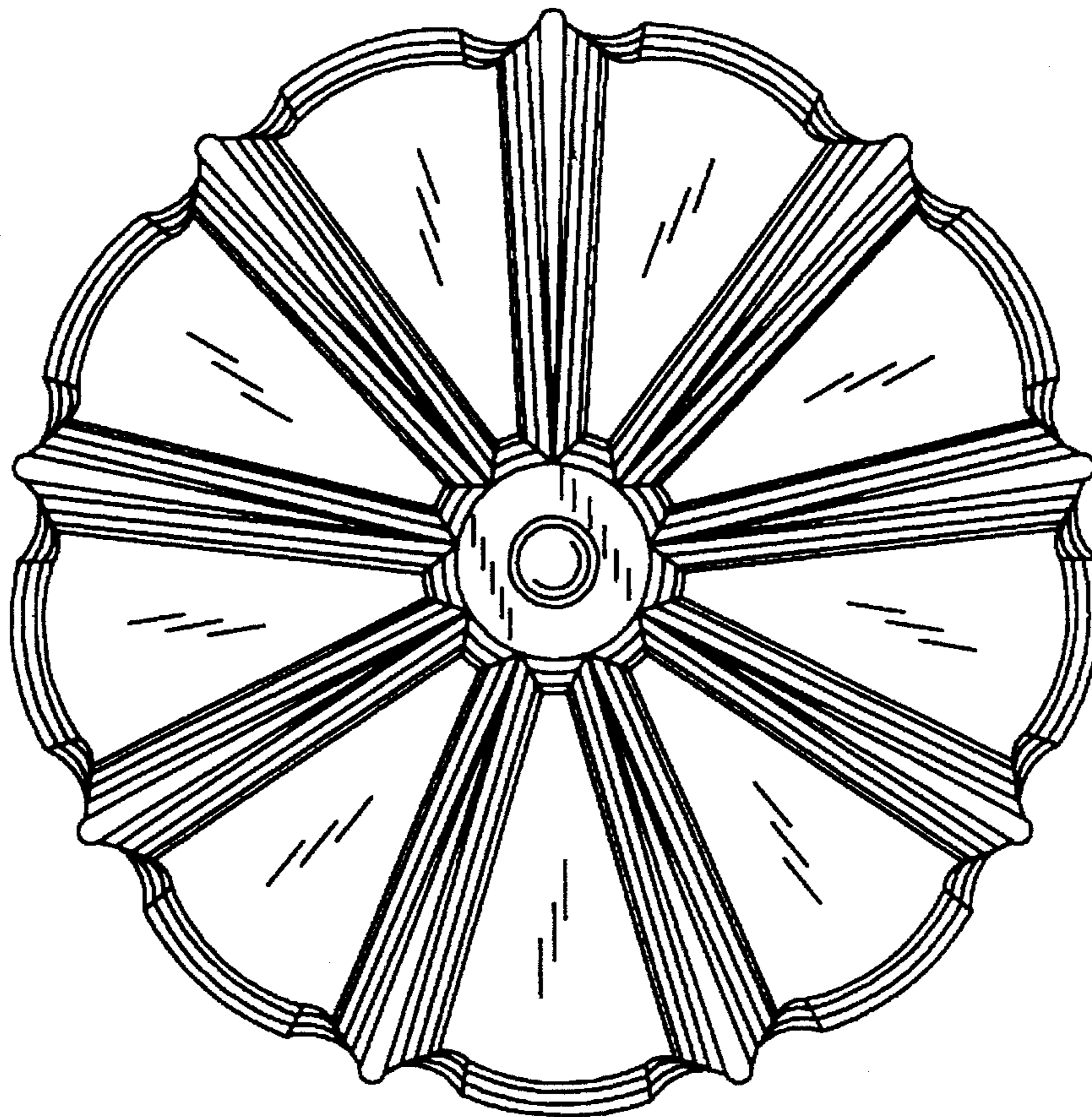


FIG. 7

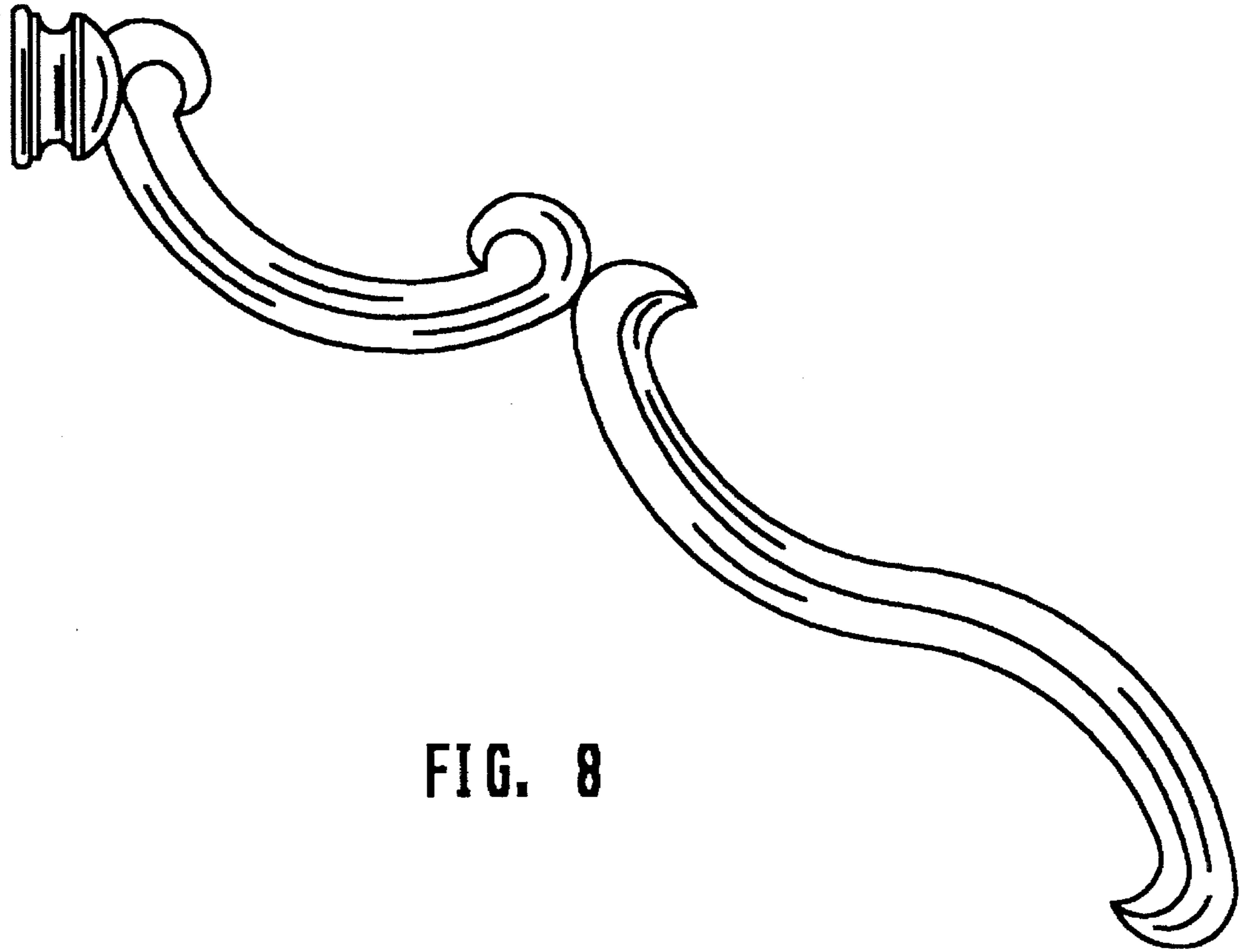


FIG. 8