



US00D367925S

United States Patent [19]

Smilo

[11] Patent Number: **Des. 367,925**

[45] Date of Patent: ****Mar. 12, 1996**

[54] AIR CURTAIN

[75] Inventor: **Martin Smilo**, Los Angeles, Calif.

[73] Assignee: **Mars Sales Company, Inc.**, Gardena, Calif.

[**] Term: **14 Years**

[21] Appl. No.: **30,586**

[22] Filed: **Nov. 2, 1994**

[52] U.S. Cl. **D23/370**

[58] Field of Search D23/370; 454/188, 454/131; 415/53.1

[56] References Cited

U.S. PATENT DOCUMENTS

3,362,469	1/1968	Berner et al.	454/188
4,989,501	2/1991	Catan	454/188
5,072,658	12/1991	Bogage	454/188

Primary Examiner—Lisa P. Lichtenstein
Attorney, Agent, or Firm—Lyon & Lyon

[57] CLAIM

The ornamental design for an air curtain, as shown and described.

DESCRIPTION

FIG. 1 is a perspective view of an air curtain showing my new design;

FIG. 2 is a front elevational view thereof;

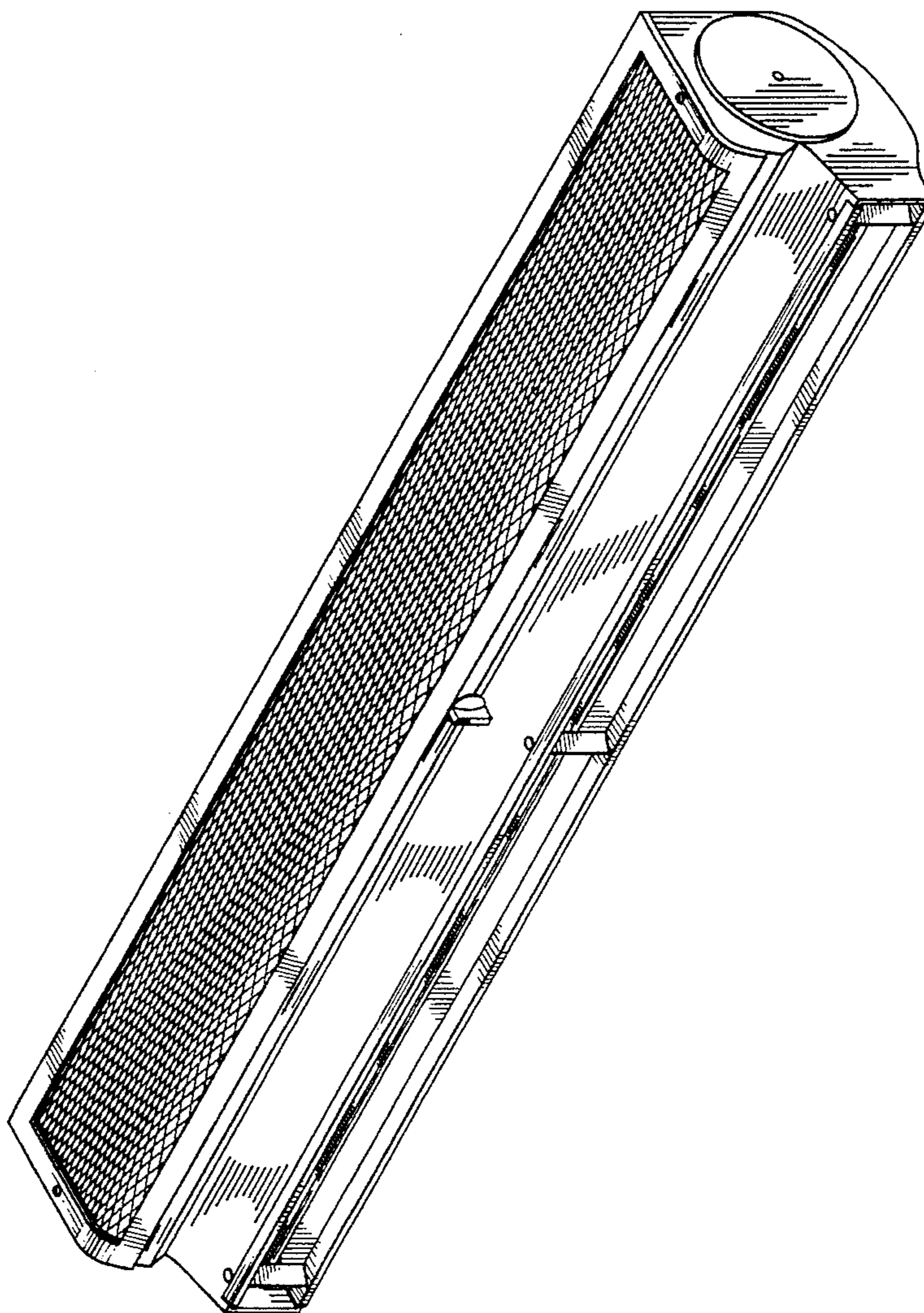
FIG. 3 is a bottom plan view thereof;

FIG. 4 is a rear elevational view thereof;

FIG. 5 is a top plan view thereof; and,

FIG. 6 is an end view thereof as seen from the upper right side of FIG. 1, the view of the other end of the air curtain being a mirror image thereof.

1 Claim, 2 Drawing Sheets



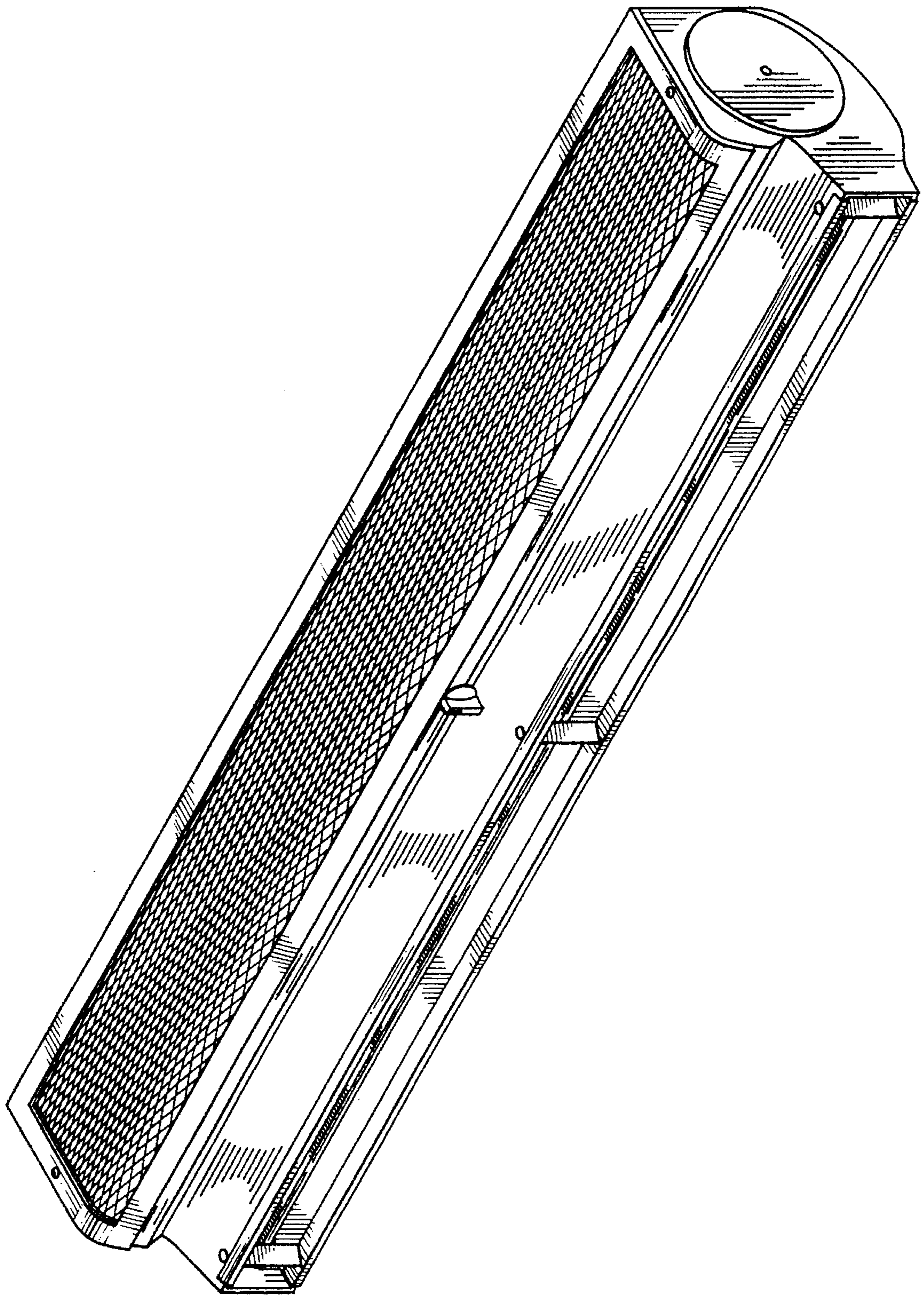


FIG 1

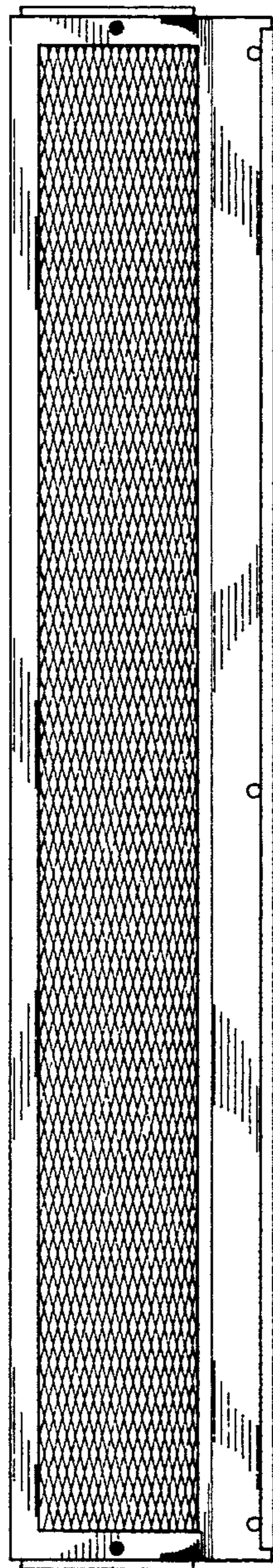
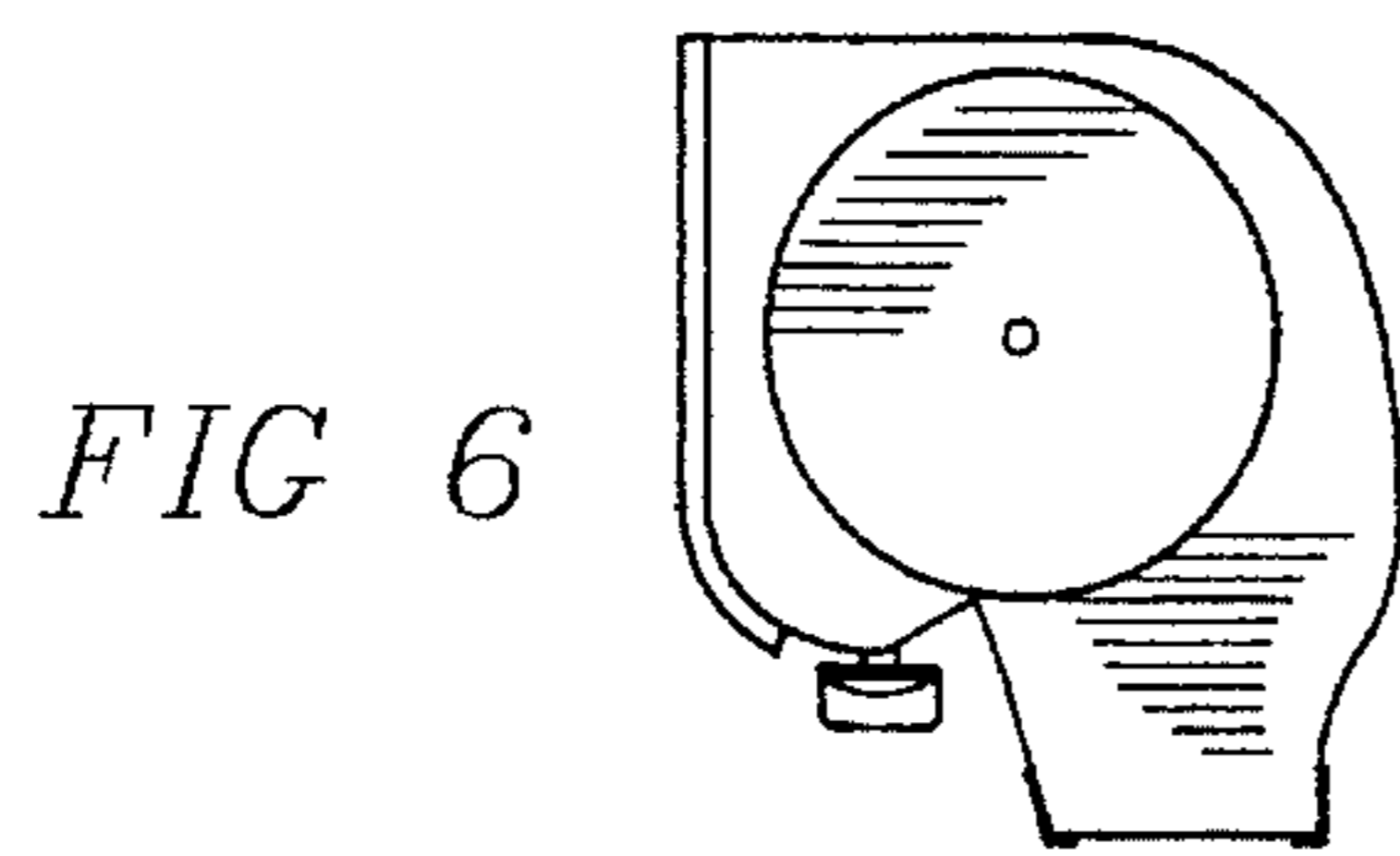


FIG 2

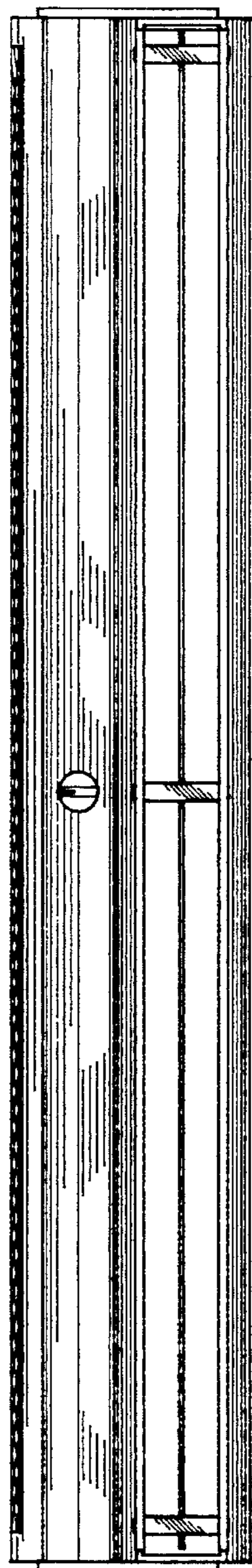


FIG 3

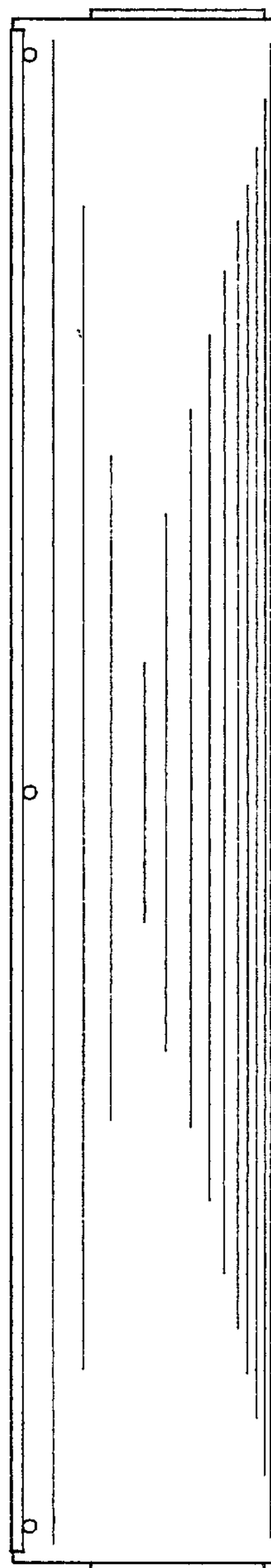


FIG 4

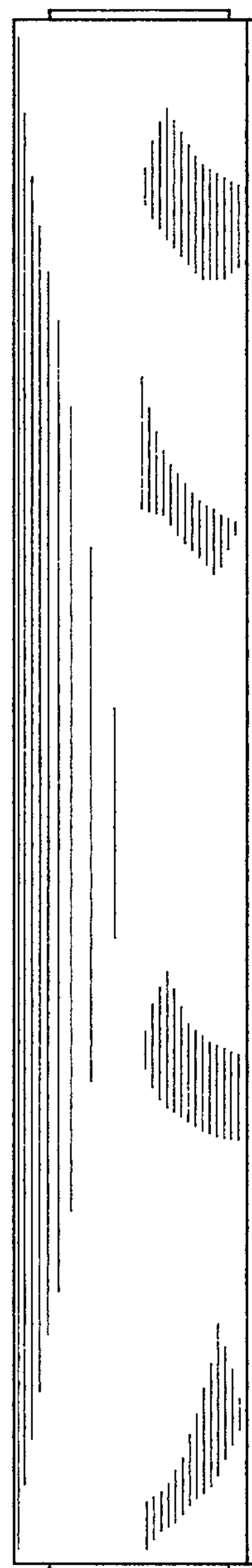


FIG 5