



US00D367923S

United States Patent [19] Rose

[11] **Patent Number: Des. 367,923**
[45] **Date of Patent: **Mar. 12, 1996**

[54] **FILTER HOUSING**

53038/90 2/1991 Australia .

[76] Inventor: **Lindsay D. Rose**, 24 Waterloo Street,
Heathmont, Victoria, Australia

Primary Examiner—Lisa P. Lichtenstein
Attorney, Agent, or Firm—Kinney & Lange

[**] Term: **14 Years**

[57] **CLAIM**

[21] Appl. No.: **702,673**

The ornamental design for a filter housing, as shown and described.

[22] Filed: **May 20, 1991**

DESCRIPTION

[30] **Foreign Application Priority Data**

Mar. 22, 1991 [AU] Australia 854/91

[52] **U.S. Cl.** **D23/365**

[58] **Field of Search** D23/365; 261/DIG. 15;
96/66, 99; 55/486

FIG. 1 is a top view showing my new design for a filter housing;

FIG. 2 is side view thereof;

FIG. 3 is a front view thereof;

FIG. 4 is a side view thereof;

FIG. 5 is a bottom view thereof;

FIG. 6 is a perspective view closed;

FIG. 7 is a perspective view open; and,

FIG. 8 is a rear view thereof.

The cross-hatching represents conventional fabric and is understood to extend throughout the areas represented. The hose is shown broken away in FIGS. 2, 4, and 5 to indicate indeterminate length.

[56] **References Cited**

U.S. PATENT DOCUMENTS

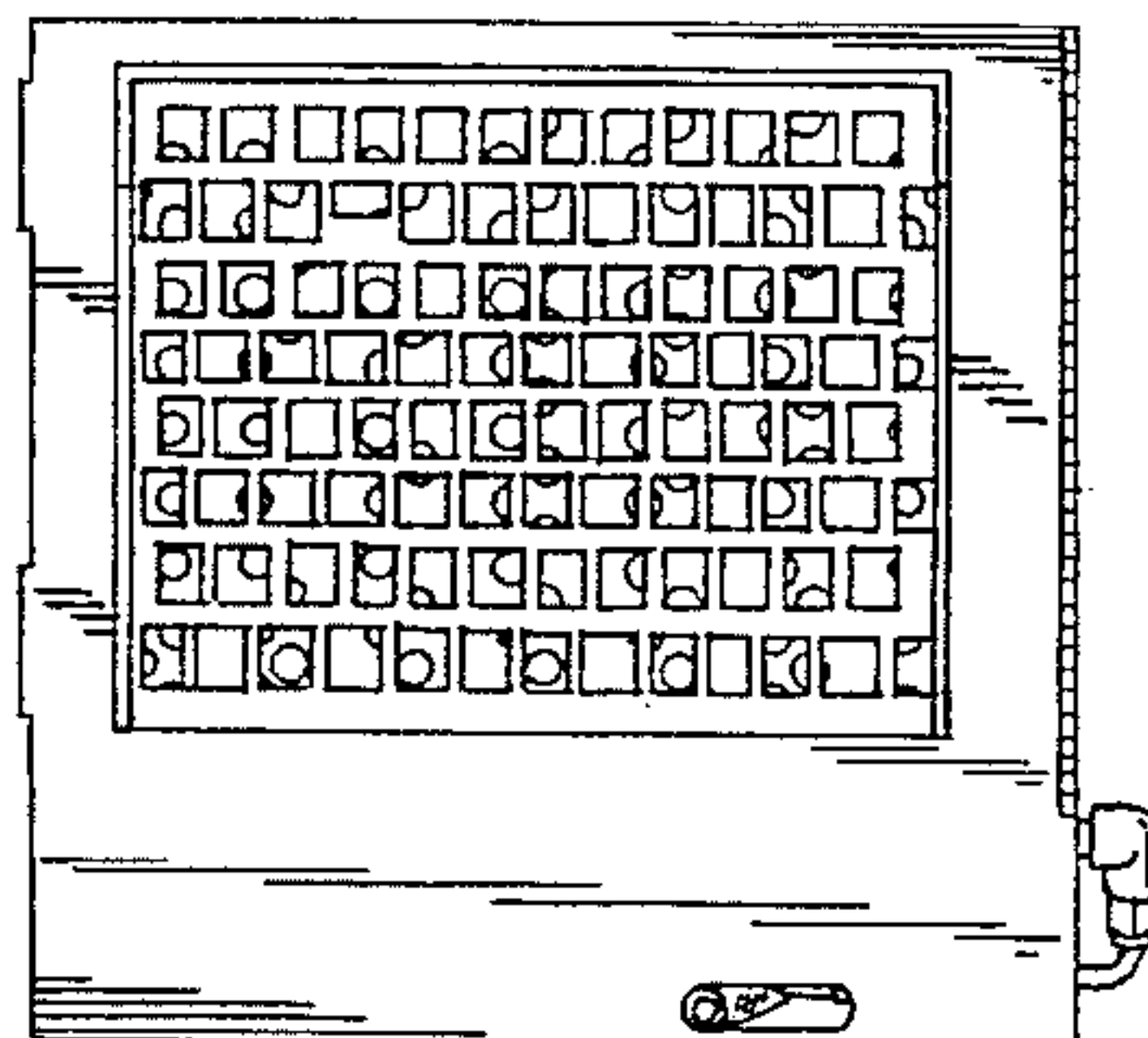
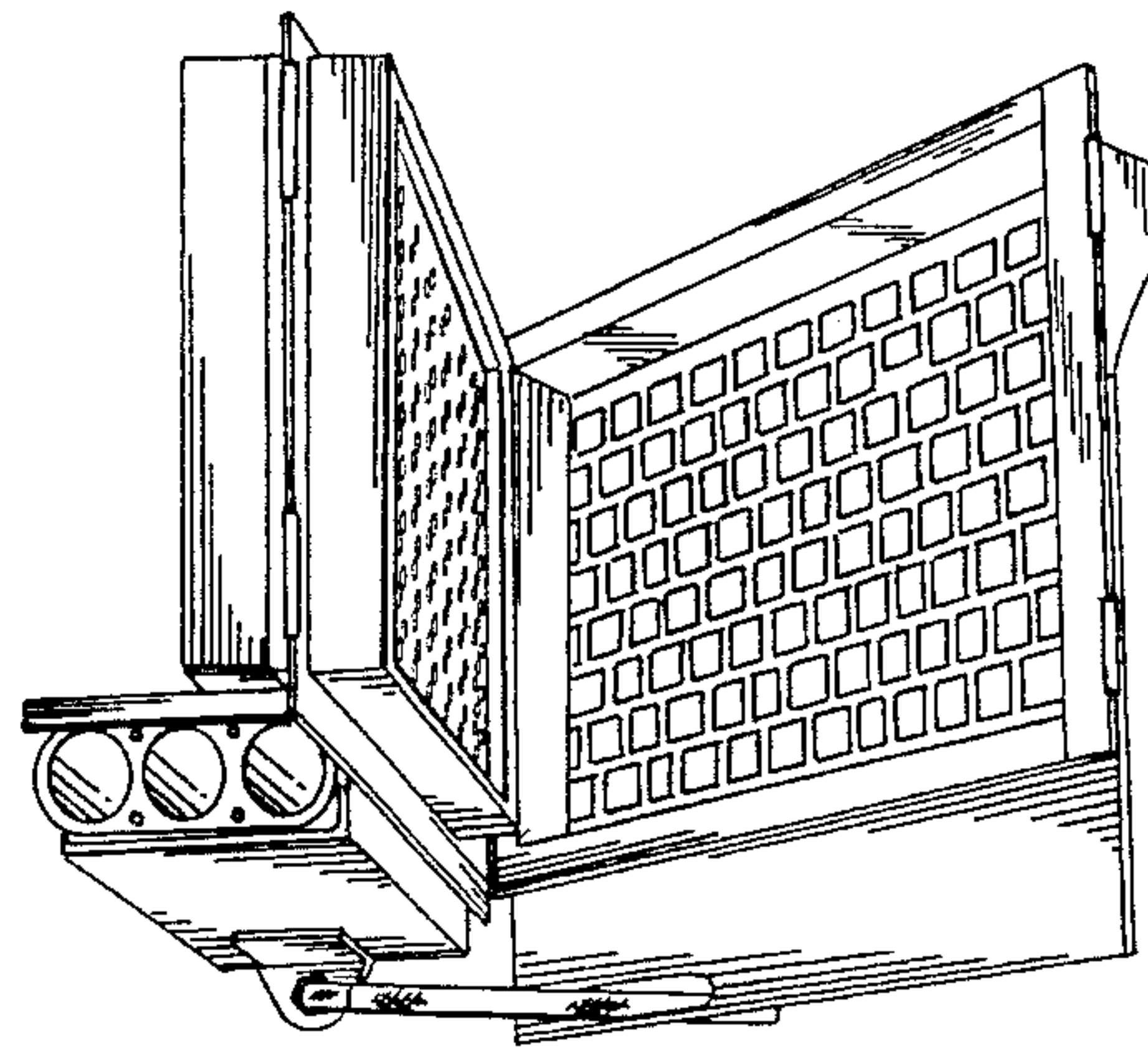
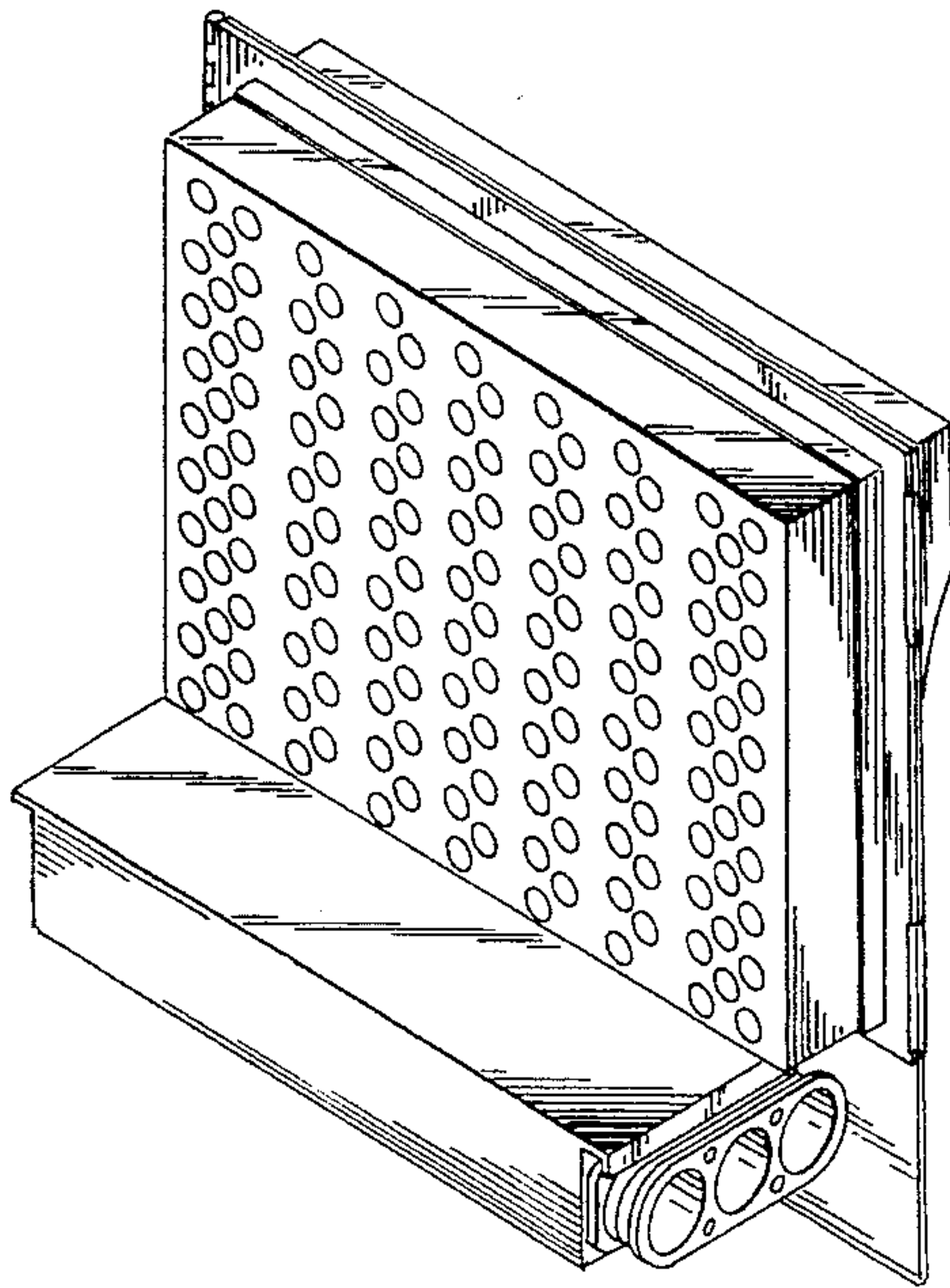
1,542,529 6/1925 Runback 55/486

1,576,121 3/1926 Preble 55/486

FOREIGN PATENT DOCUMENTS

107382 4/1990 Australia .

1 Claim, 4 Drawing Sheets



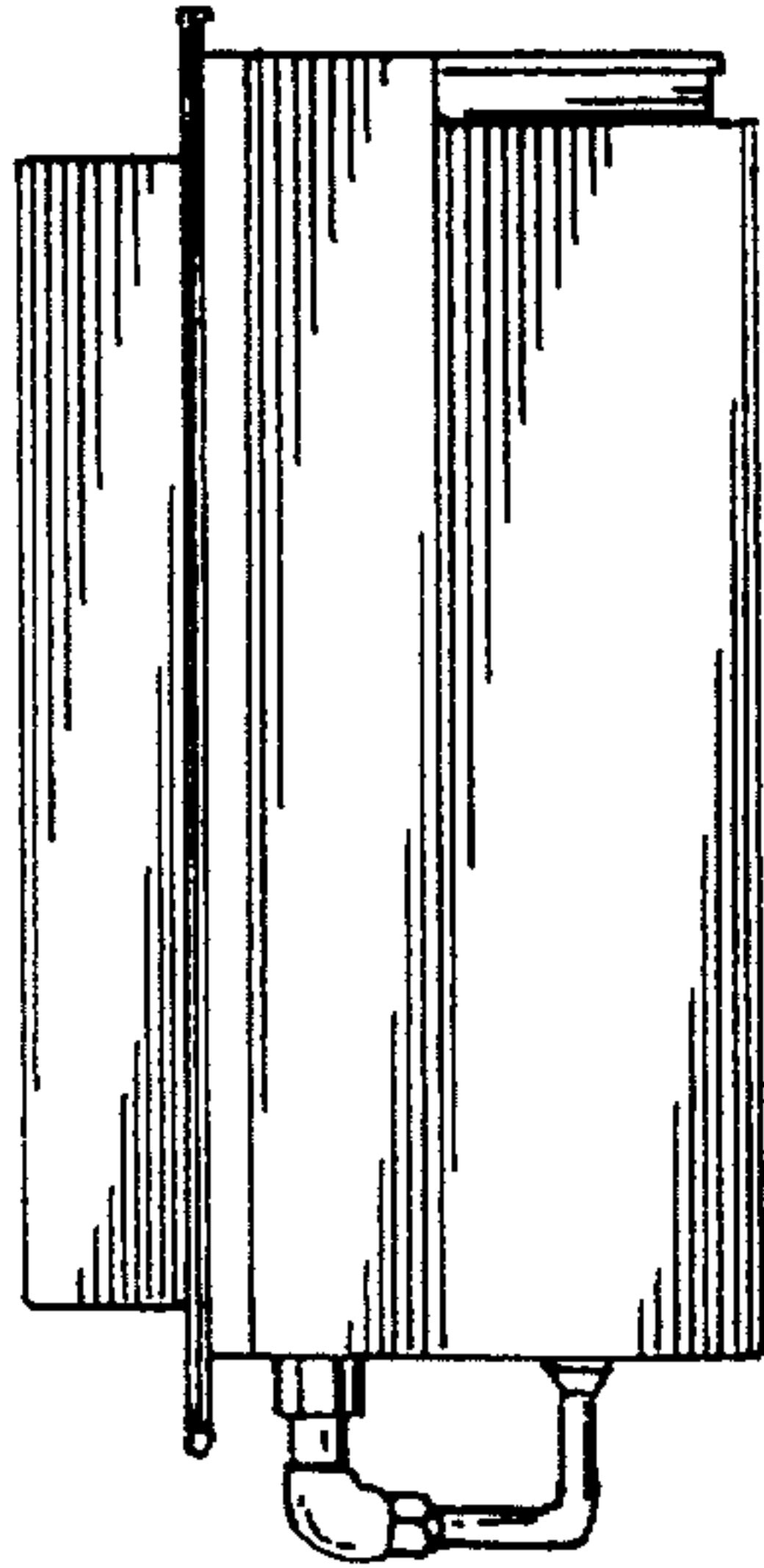


Fig. 1

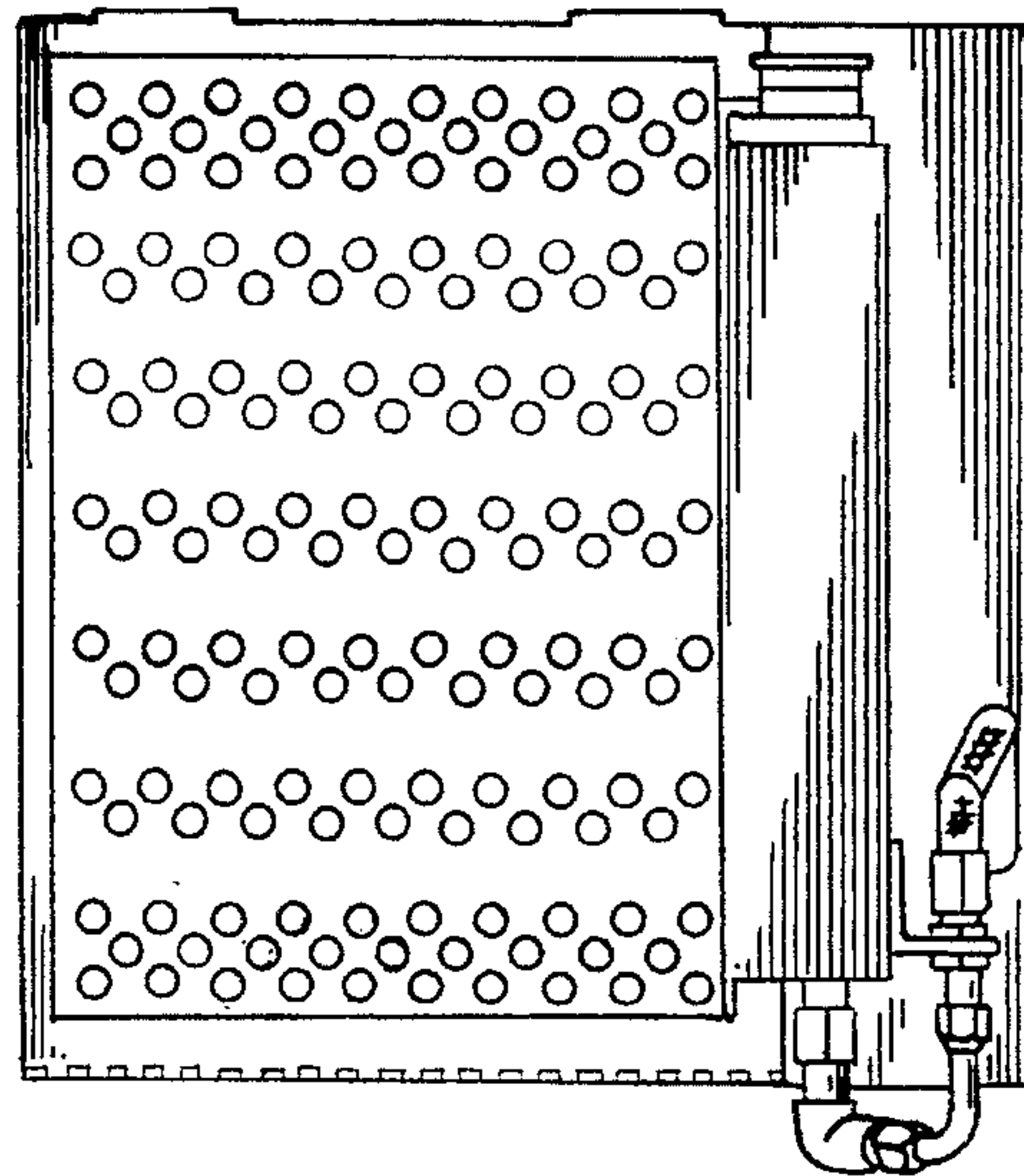


Fig. 2

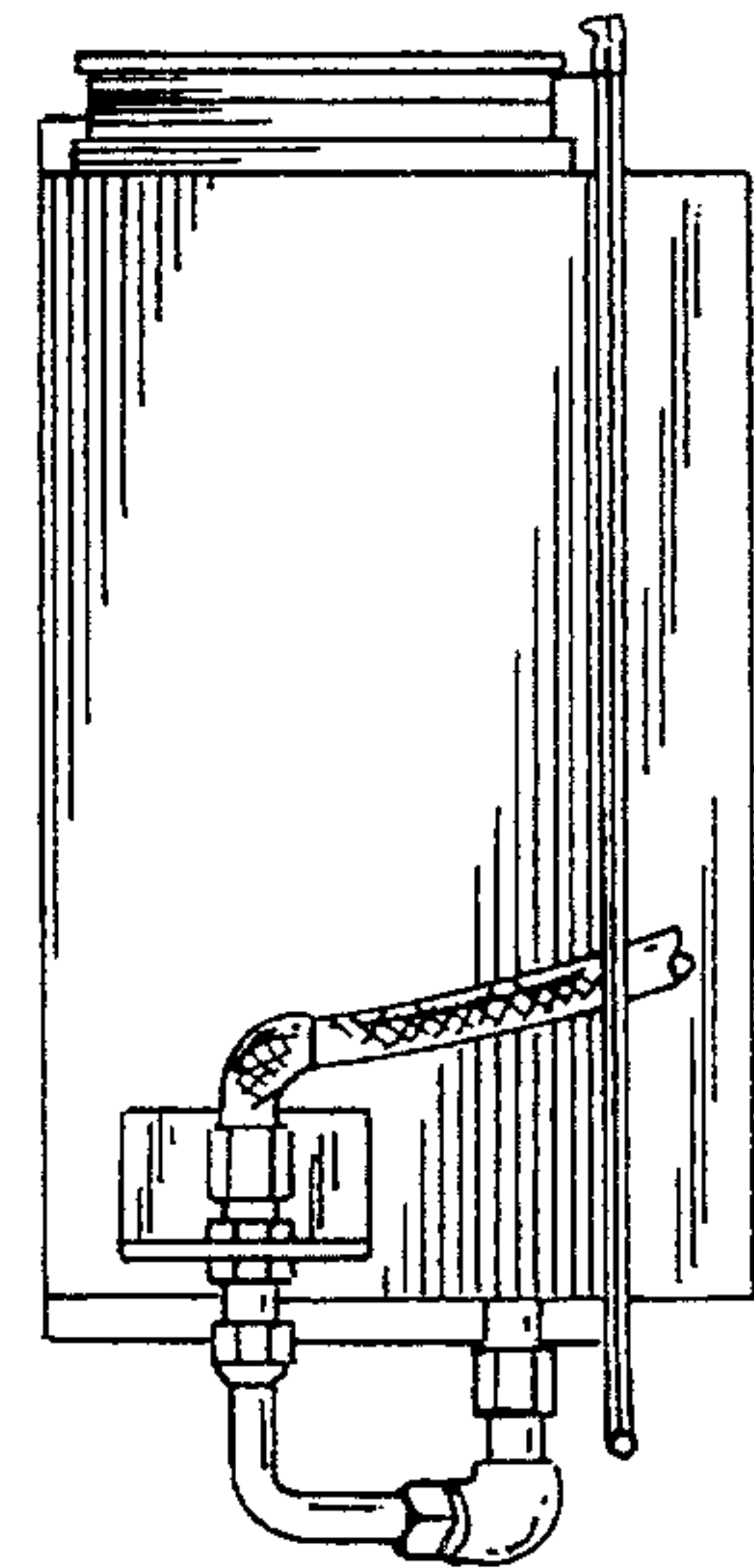


Fig. 3

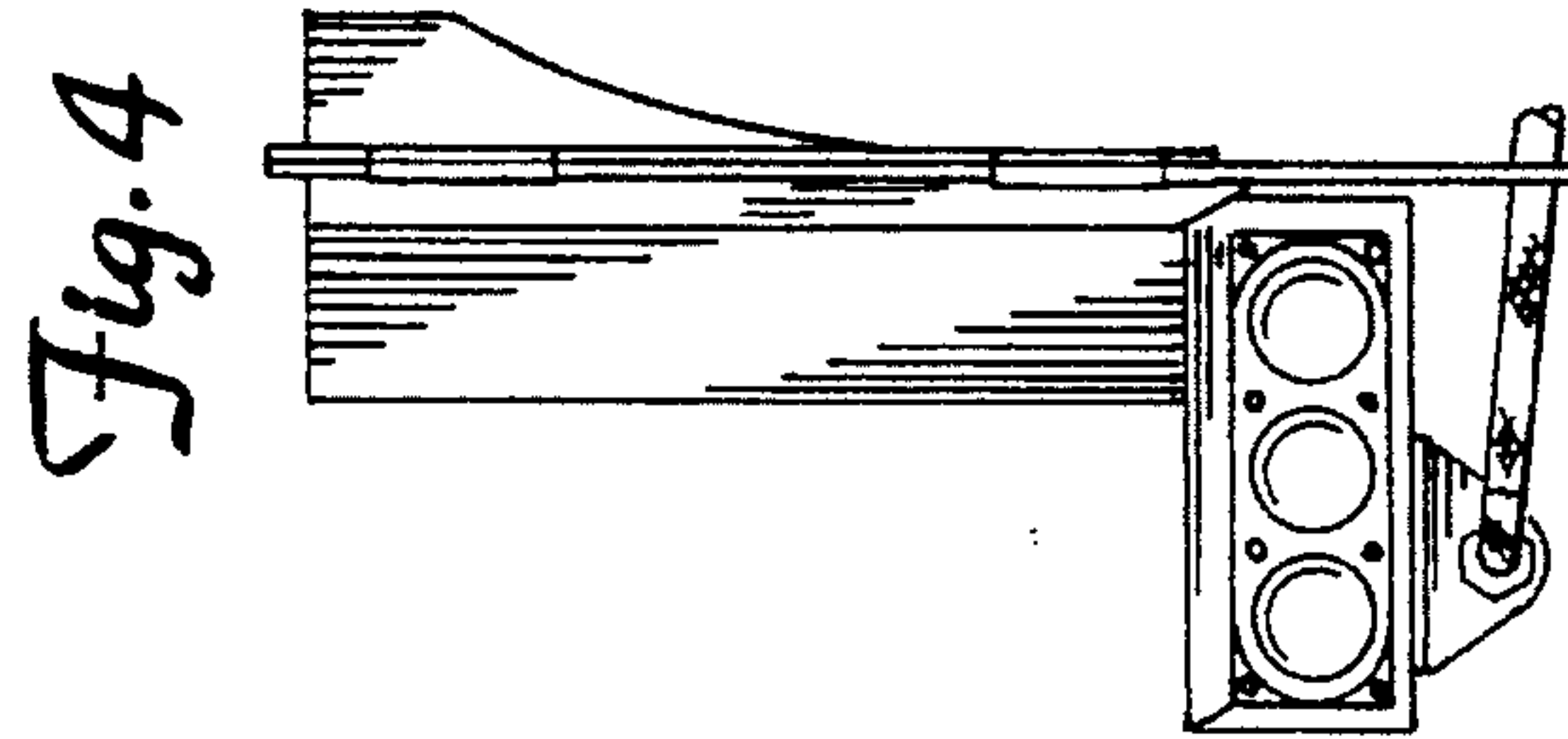


Fig. 4

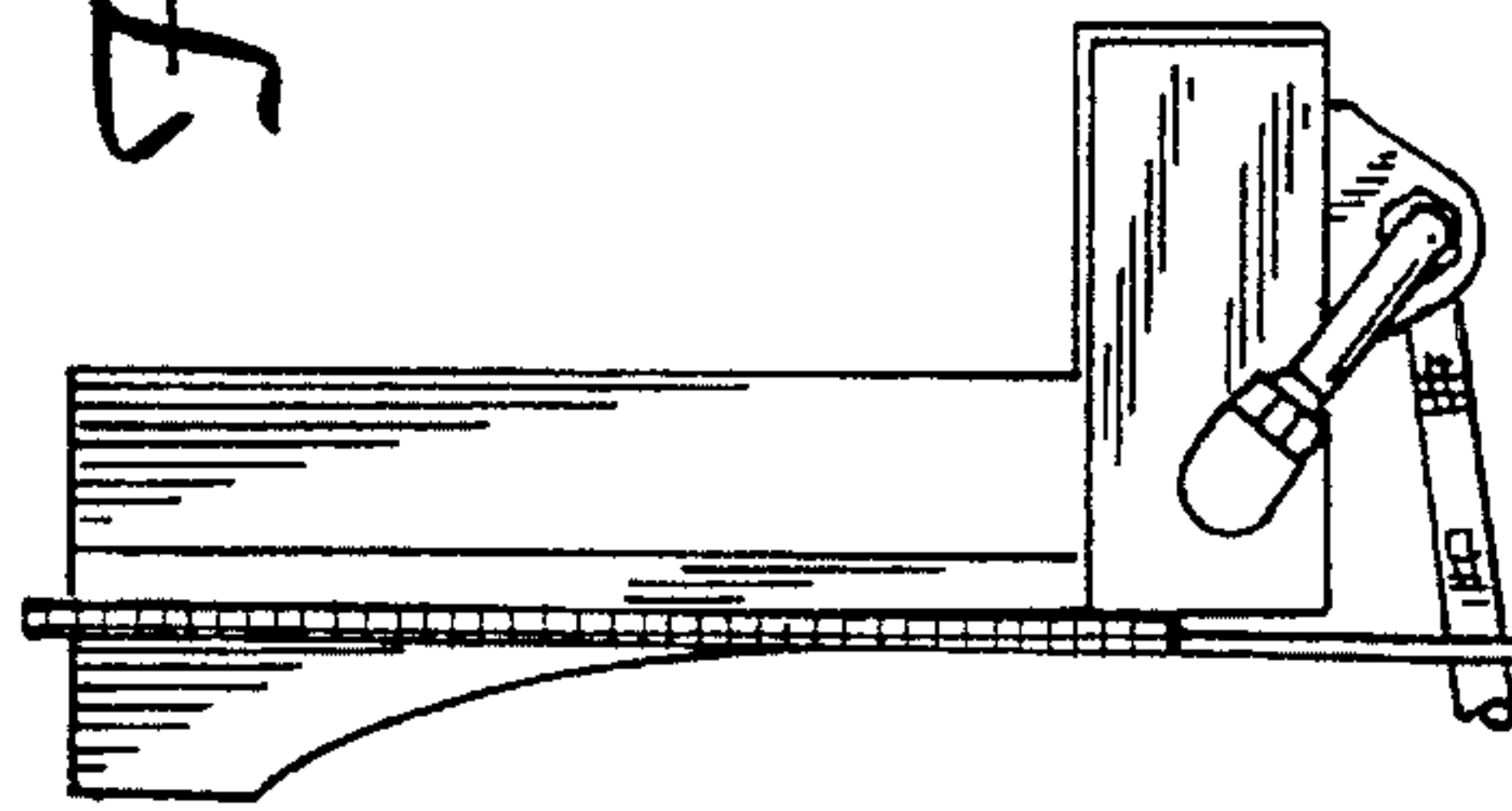


Fig. 5

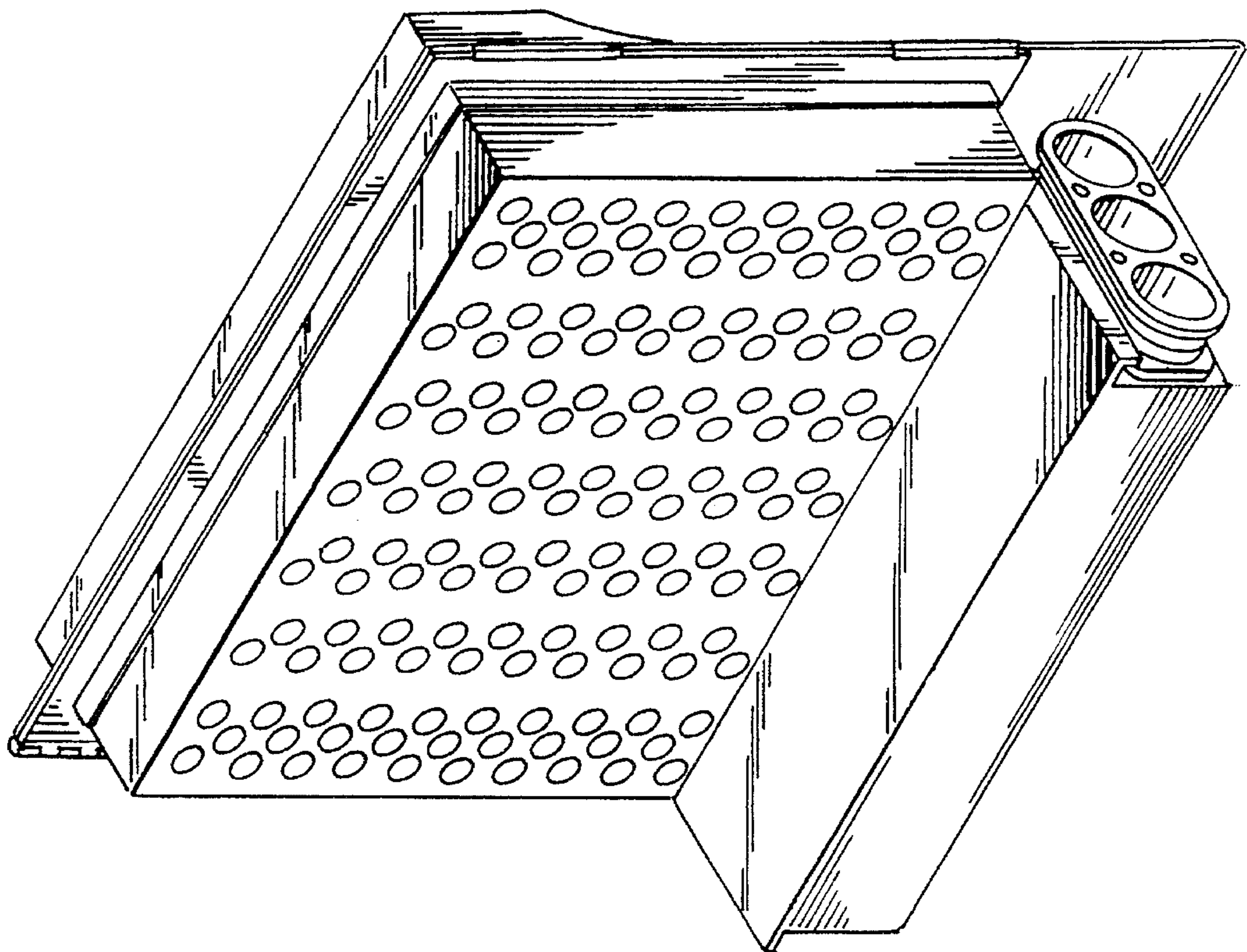
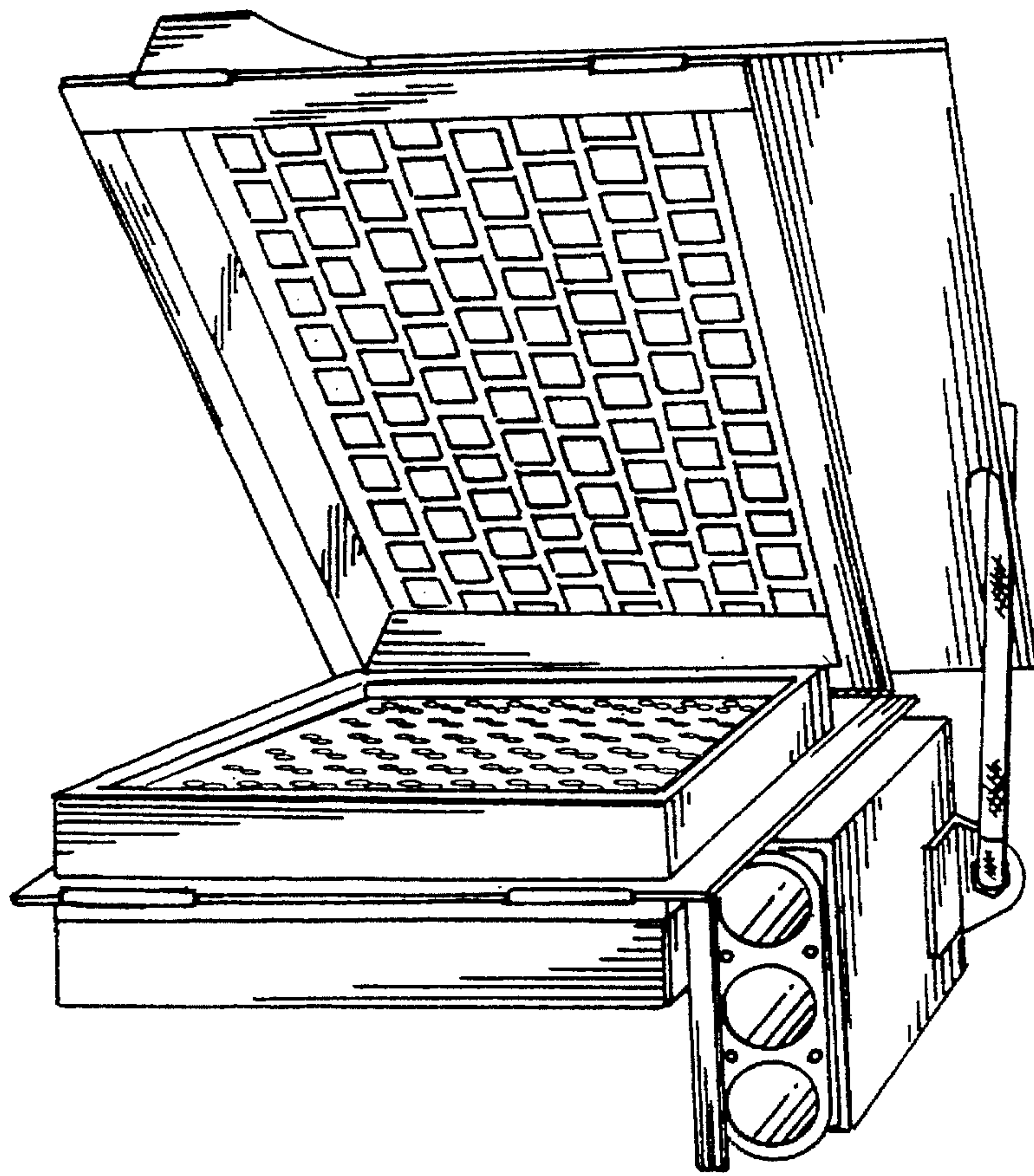


Fig. 6

Fig. 7



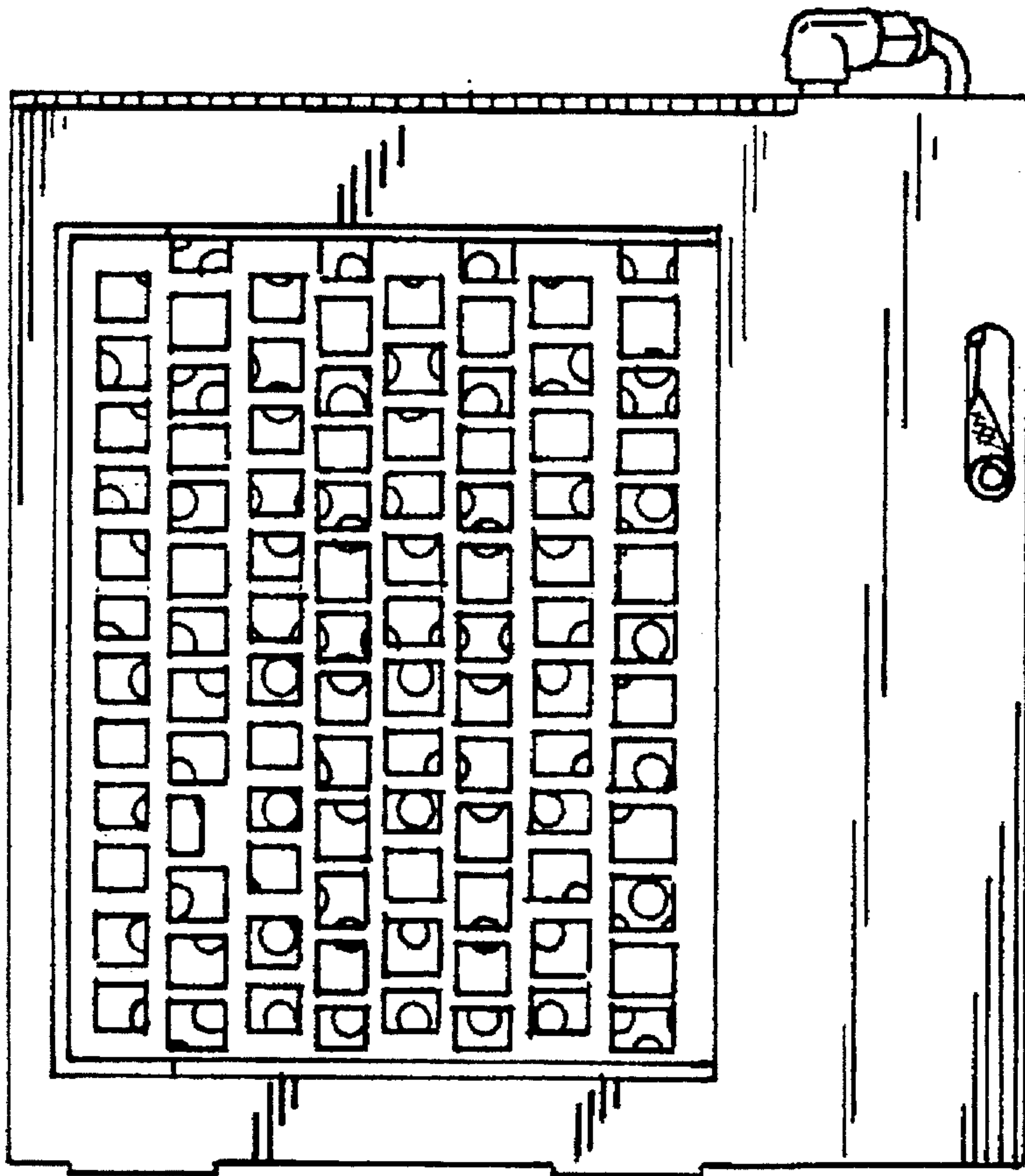


Fig. 8