



US00D367922S

**United States Patent** [19]  
**Kobayashi et al.**

[11] **Patent Number: Des. 367,922**  
[45] **Date of Patent: \*\*Mar. 12, 1996**

[54] **COMBINED TOILET SEAT, LID, AND BIDET**

[75] Inventors: **Jiro Kobayashi; Toshiaki Nakajo**, both of Kadoma, Japan

[73] Assignee: **Matsushita Electric Works, Ltd.**, Osaka, Japan

[\*\*] Term: **14 Years**

[21] Appl. No.: **35,987**

[22] Filed: **Mar. 10, 1995**

[30] **Foreign Application Priority Data**

Oct. 7, 1994 [JP] Japan ..... 6-30568

[52] U.S. Cl. .... **D23/311**

[58] Field of Search ..... D23/309-311;  
4/209 R, 351, 348, 237, 238, 242.1, 234,  
215, 216

[56] **References Cited**

**U.S. PATENT DOCUMENTS**

- D. 236,119 7/1975 Slawinski et al. .... D23/311
- D. 283,835 5/1986 Maruyama et al. .... D23/311
- D. 355,246 2/1995 Kawamara et al. .... D23/311 X

*Primary Examiner*—Stella Reid  
*Assistant Examiner*—Eric Watterson  
*Attorney, Agent, or Firm*—Burns, Doane, Swecker & Mathis

[57] **CLAIM**

The ornamental design for a combined toilet seat, lid, and bidet, as shown and described.

**DESCRIPTION**

FIG. 1 is a front elevational view of a combined toilet seat, lid, and bidet;  
 FIG. 2 is a rear elevational view thereof;  
 FIG. 3 is a top plan view thereof;  
 FIG. 4 is a bottom plan view thereof;  
 FIG. 5 is a left side elevational view thereof;  
 FIG. 6 is a right side view thereof;  
 FIG. 7 is a cross-sectional view taken along line 7—7 of FIG. 1;  
 FIG. 8 is a cross-sectional view taken along line 8—8 of FIG. 1;  
 FIG. 9 is a top plan view thereof with cover and seat lifted up;  
 FIG. 10 is a top plan view thereof with cover lifted up;  
 FIG. 11 is a right side elevational view thereof with cover lifted up;  
 FIG. 12 is a right side elevational view thereof with cover and seat lifted up; and,  
 FIG. 13 is a perspective view thereof.

**1 Claim, 6 Drawing Sheets**

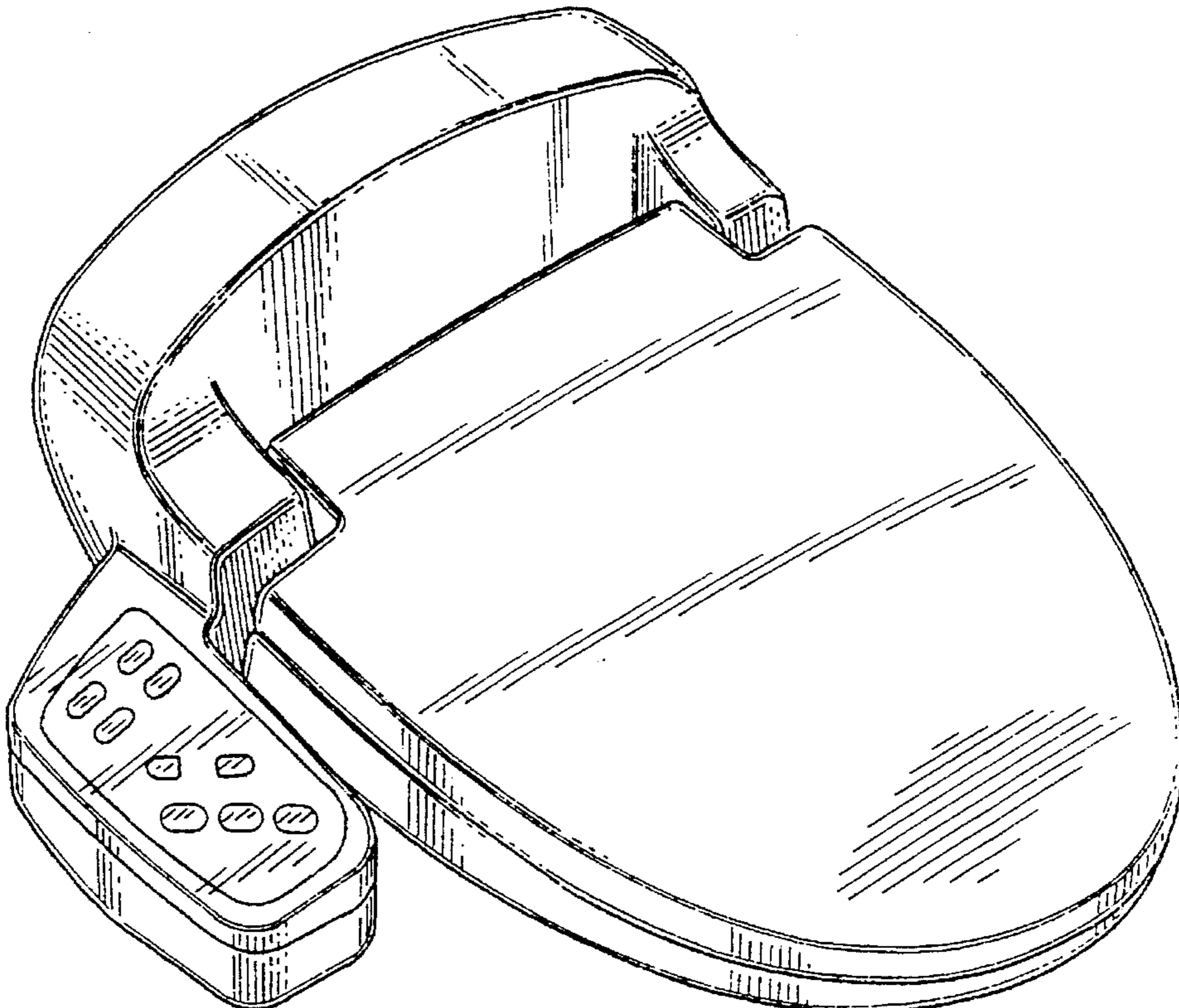


Fig. 2

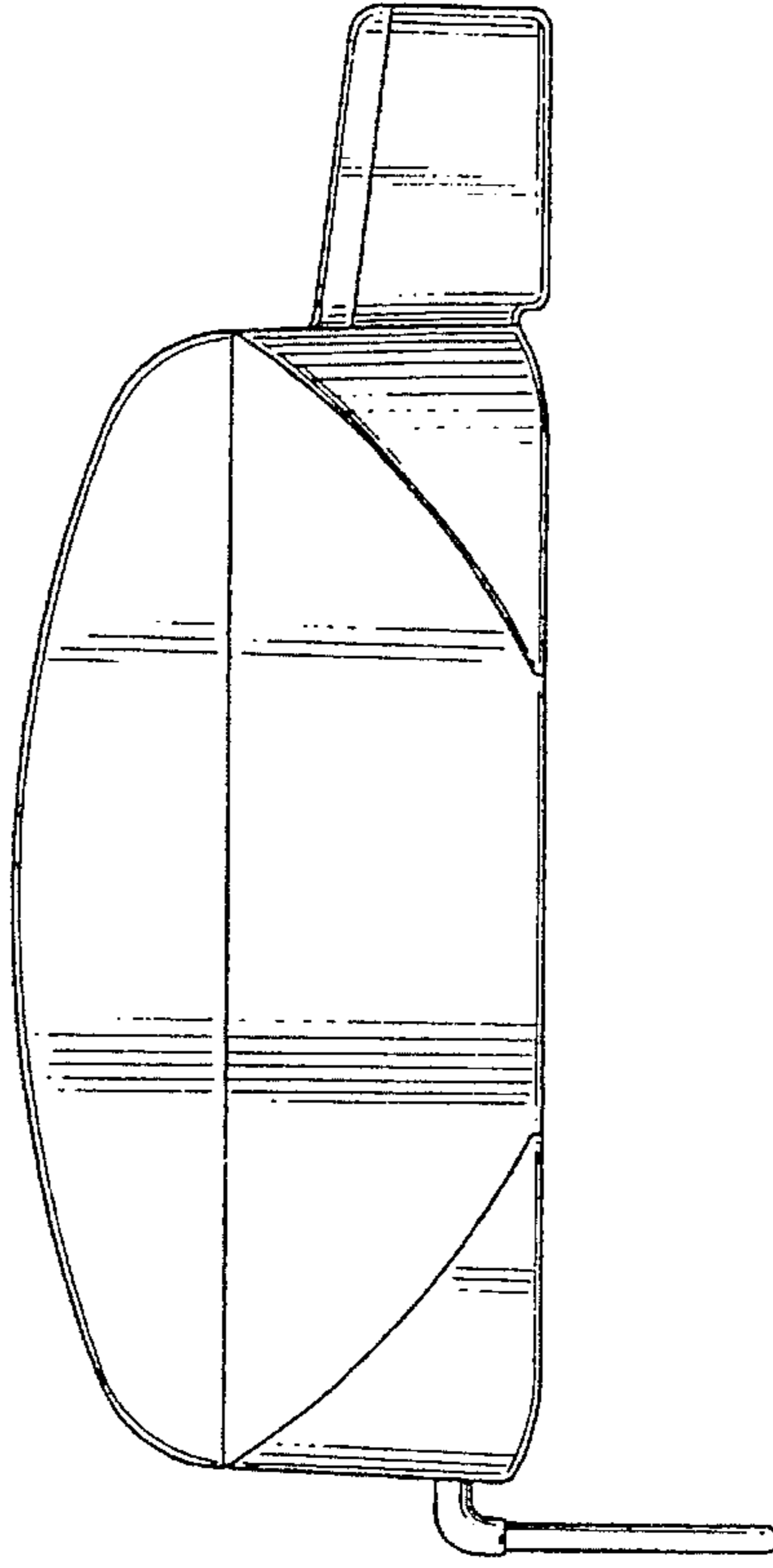
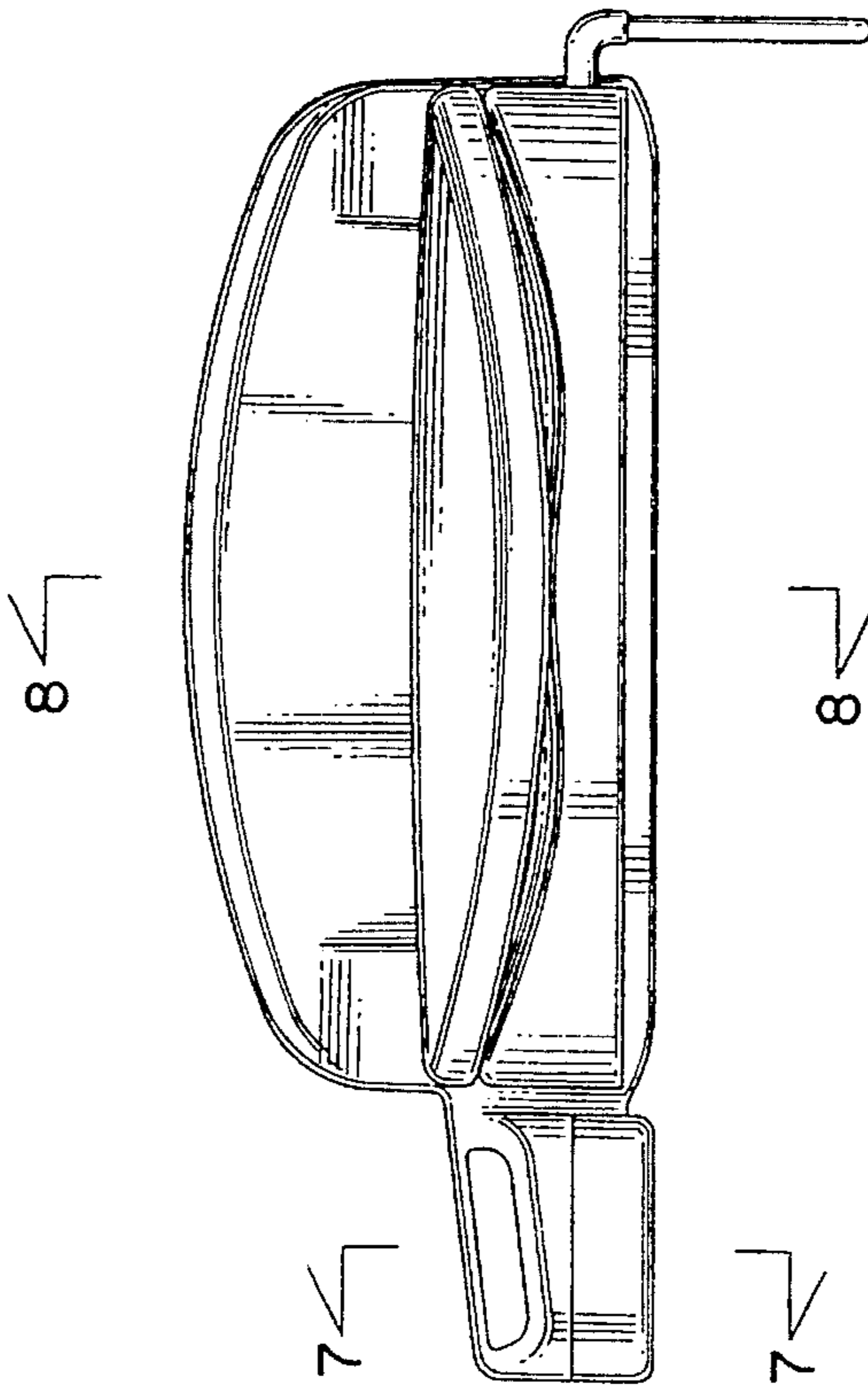


Fig. 1



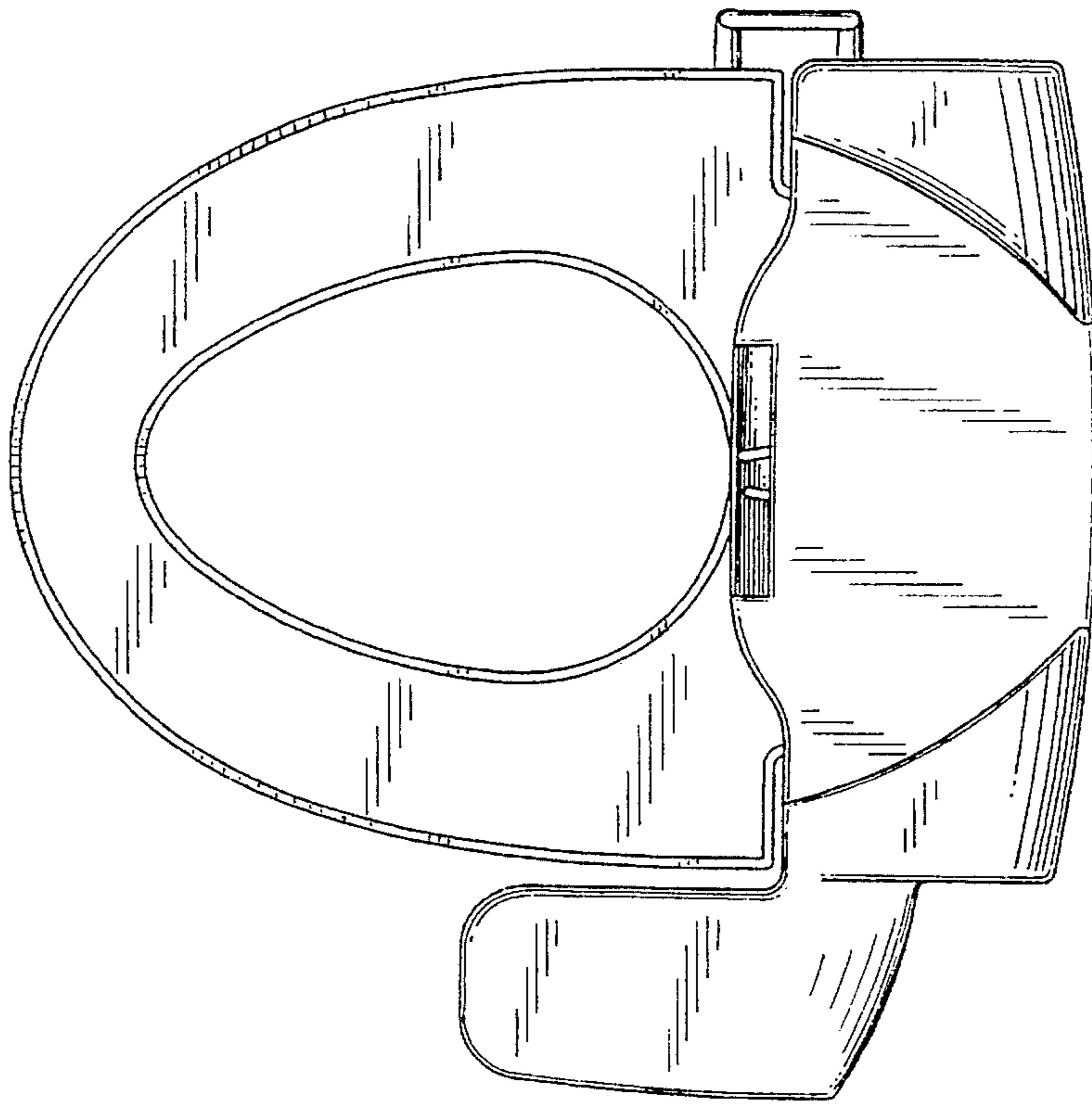


Fig. 3

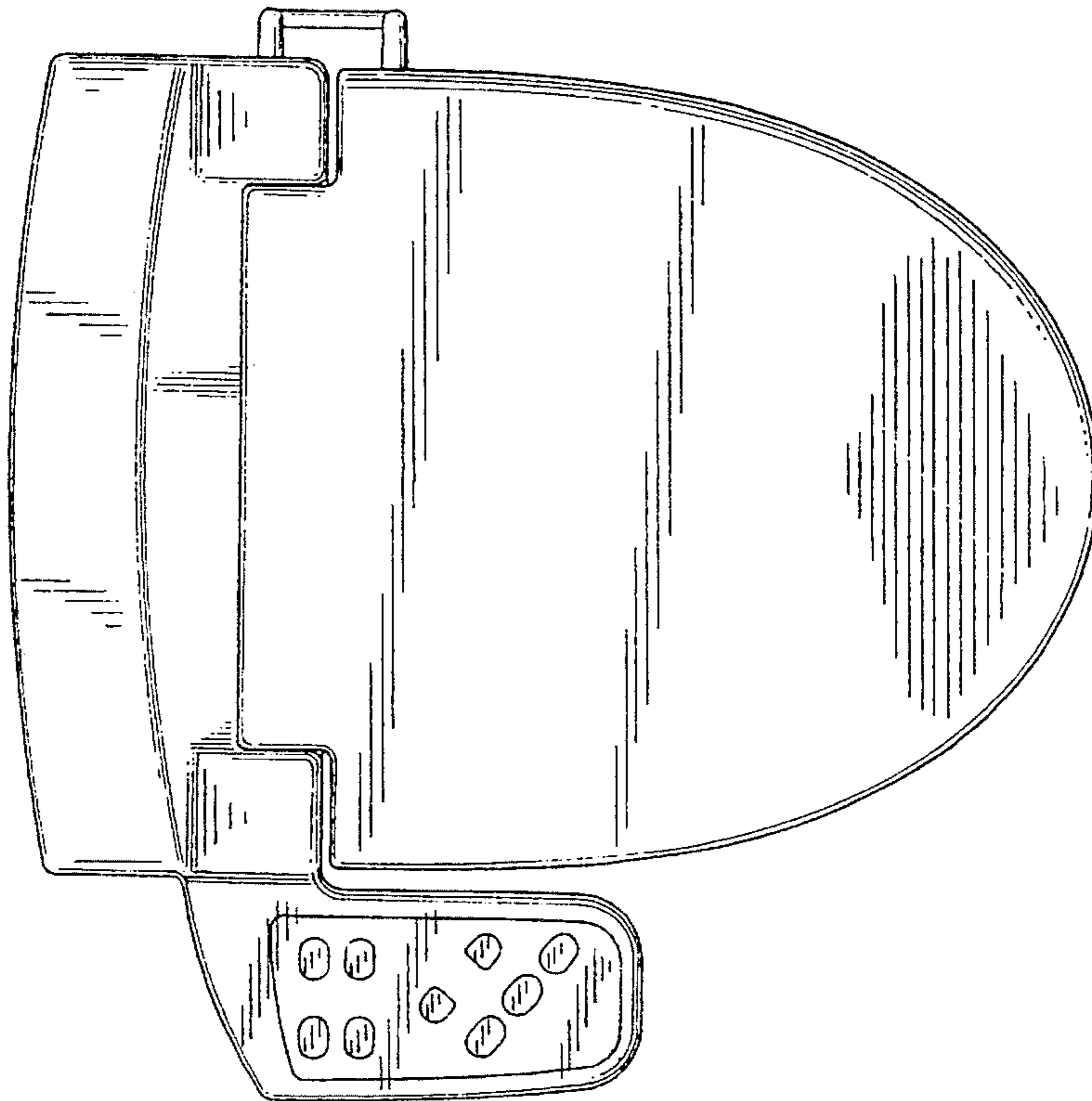


Fig. 4

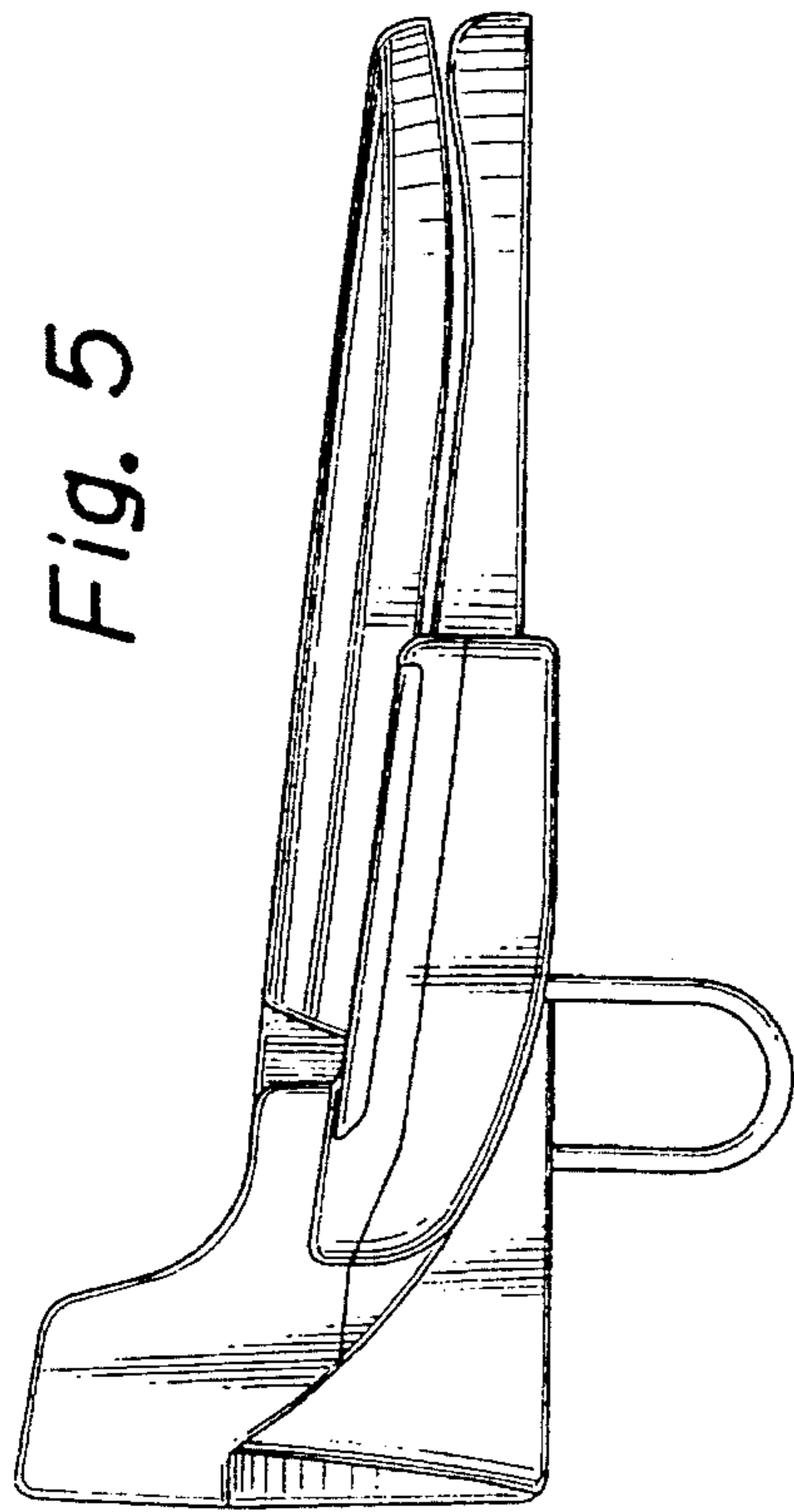


Fig. 5

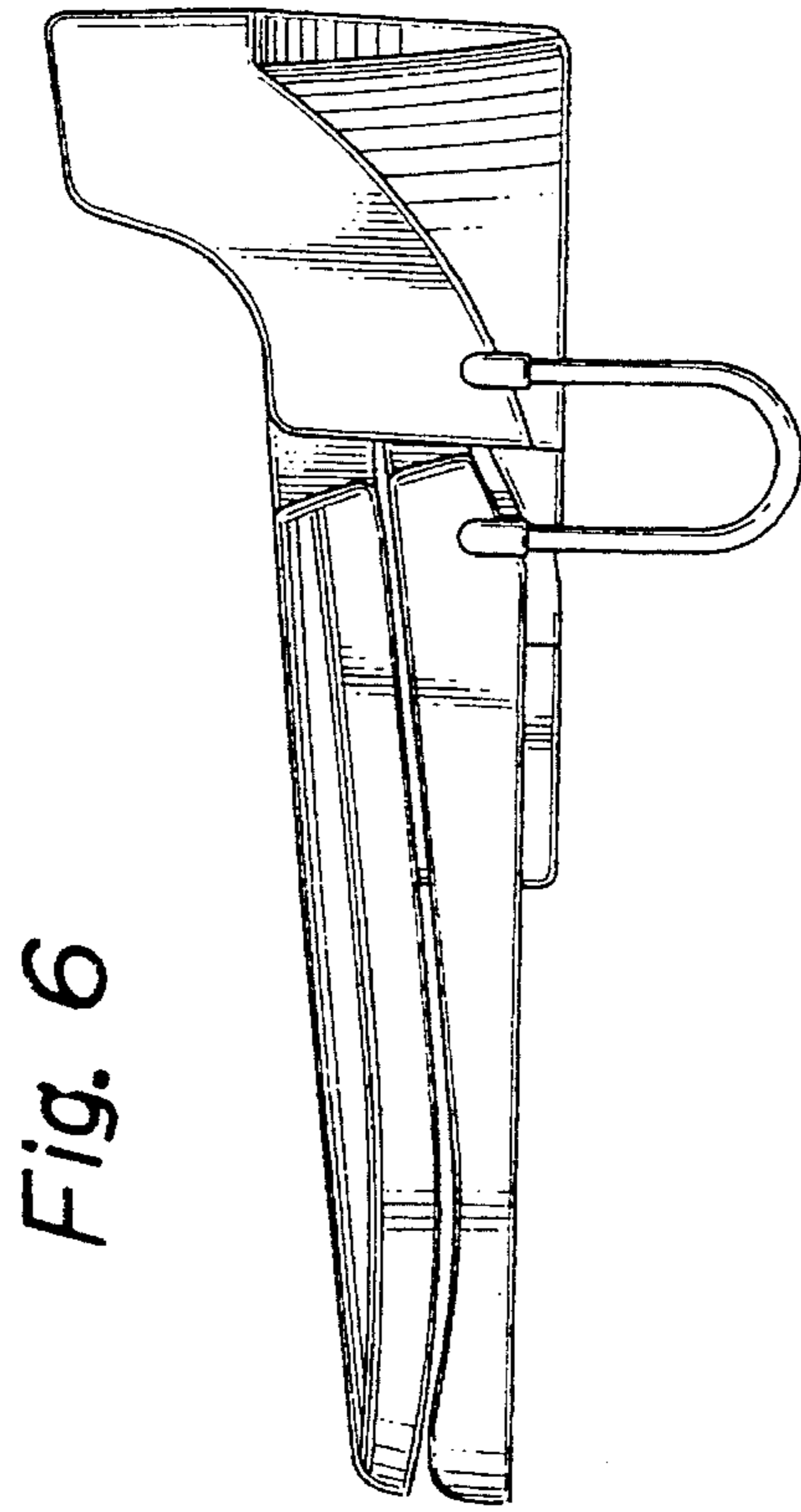


Fig. 6

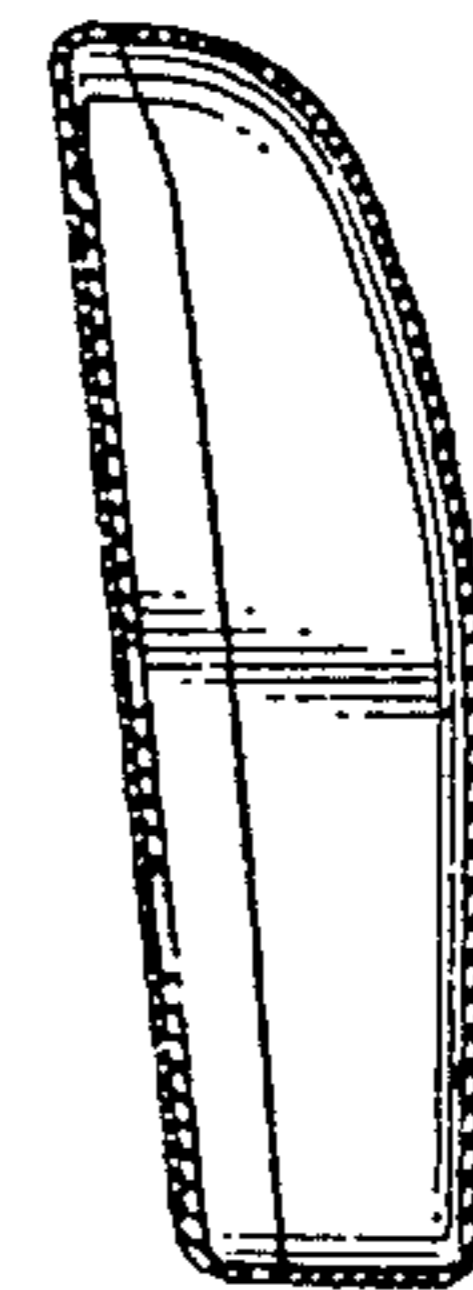


Fig. 7

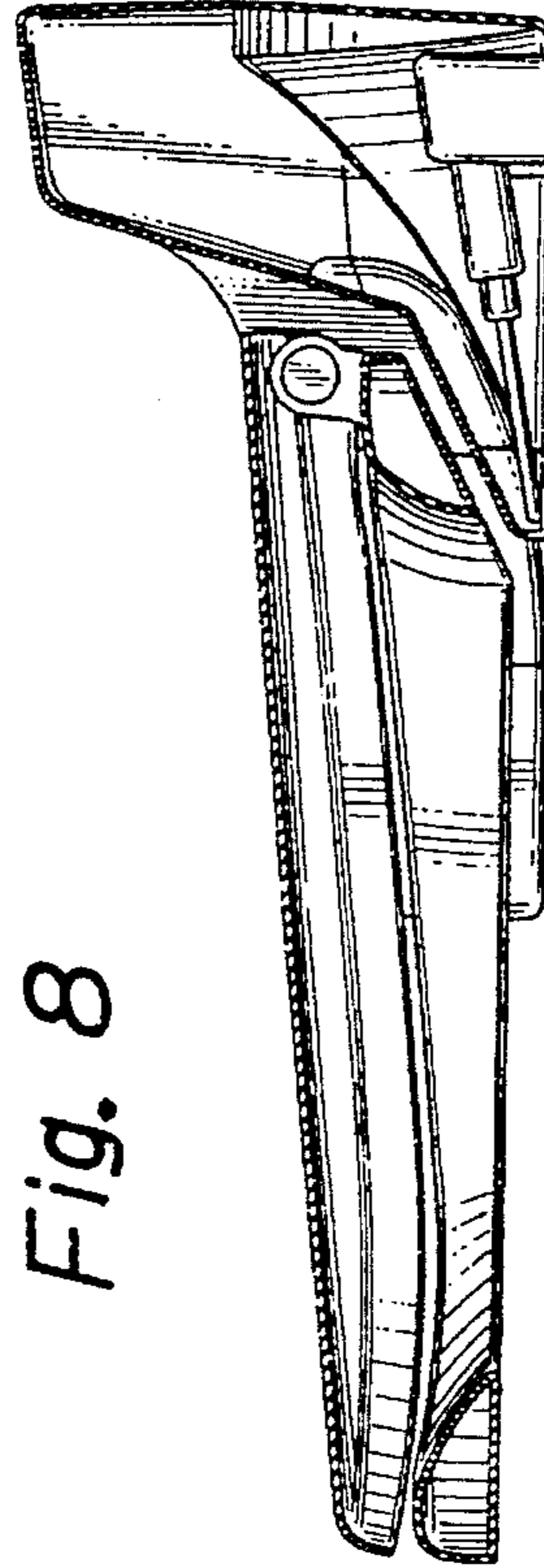


Fig. 8

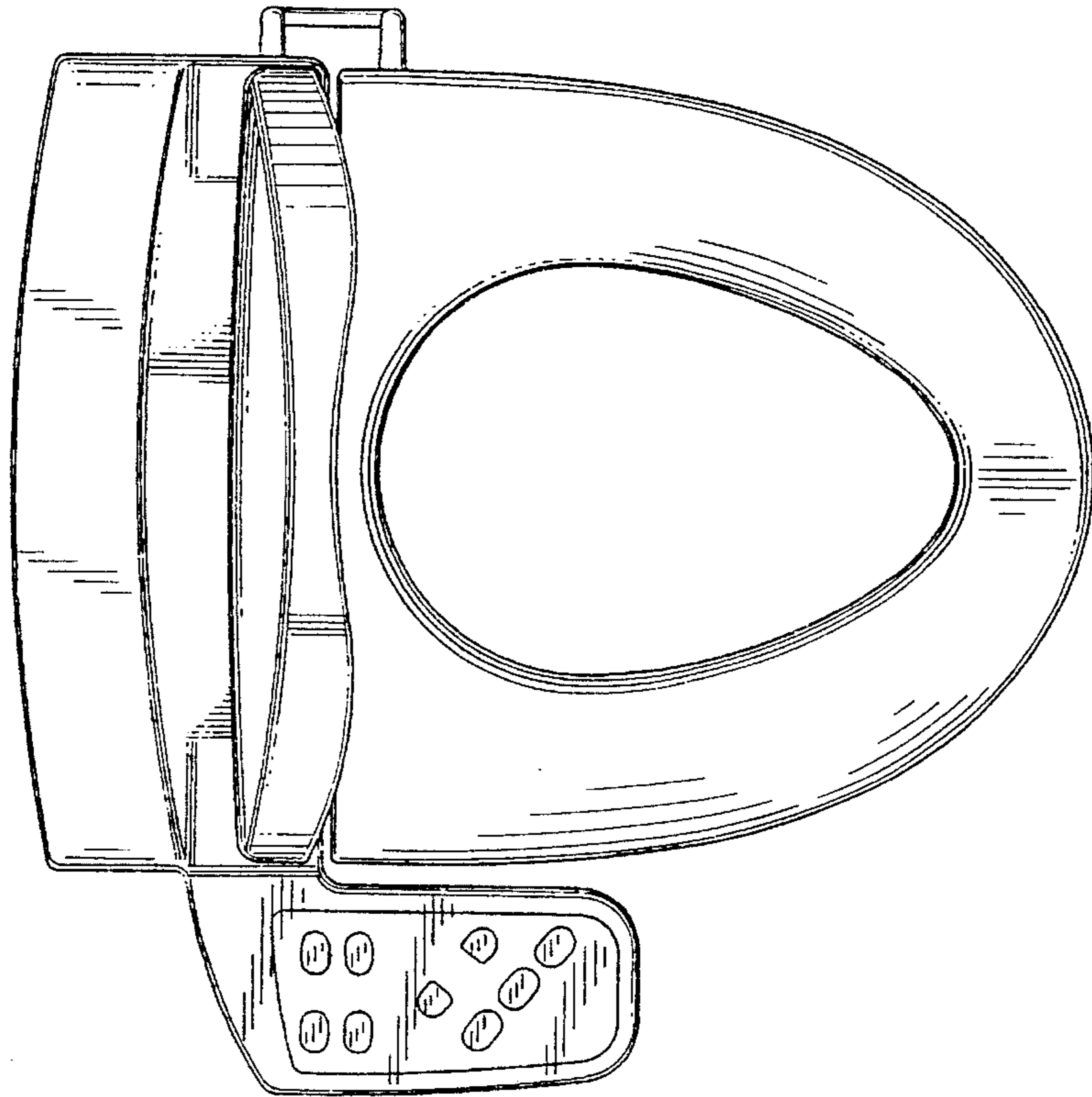


Fig. 10

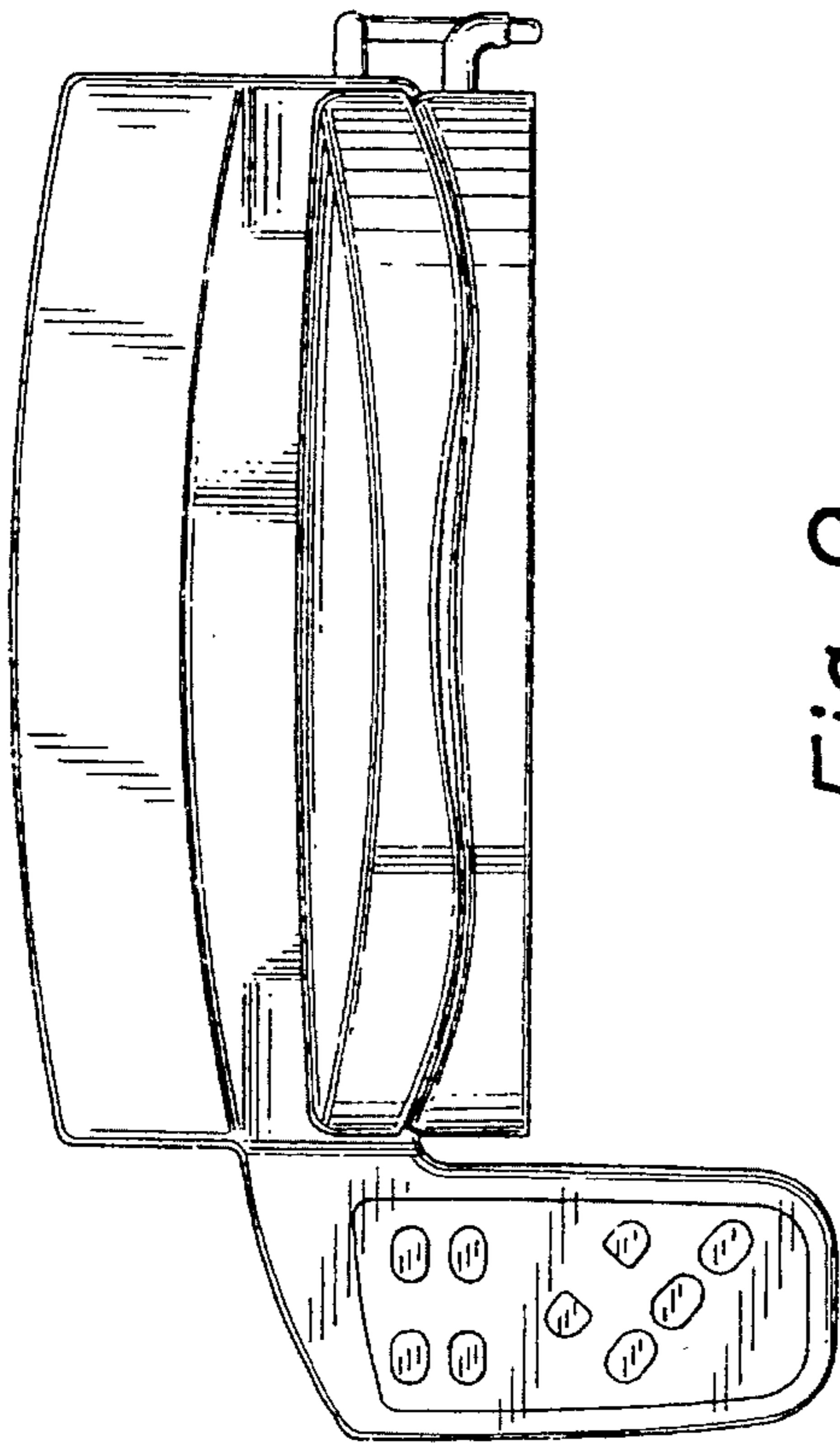


Fig. 9

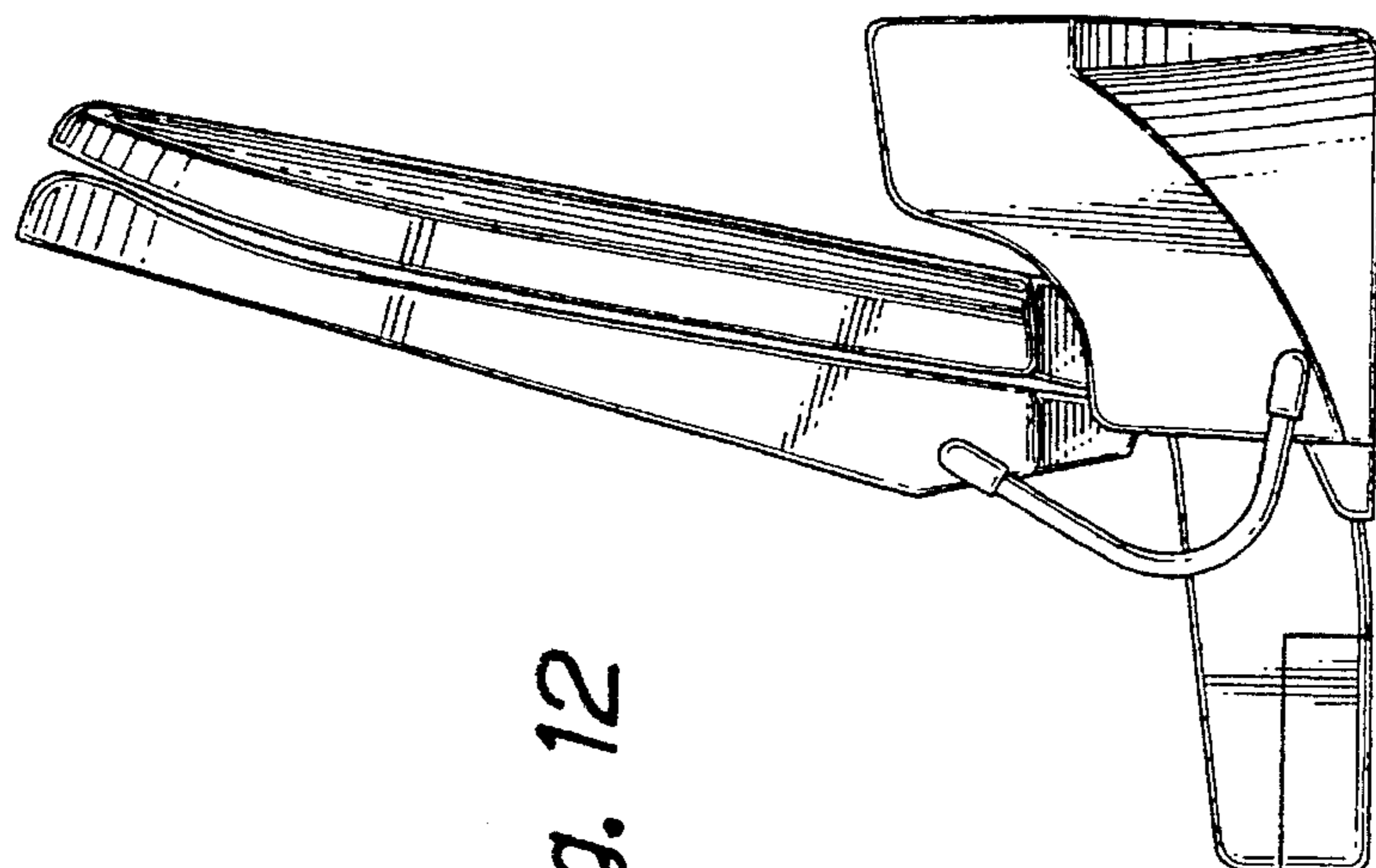


Fig. 12

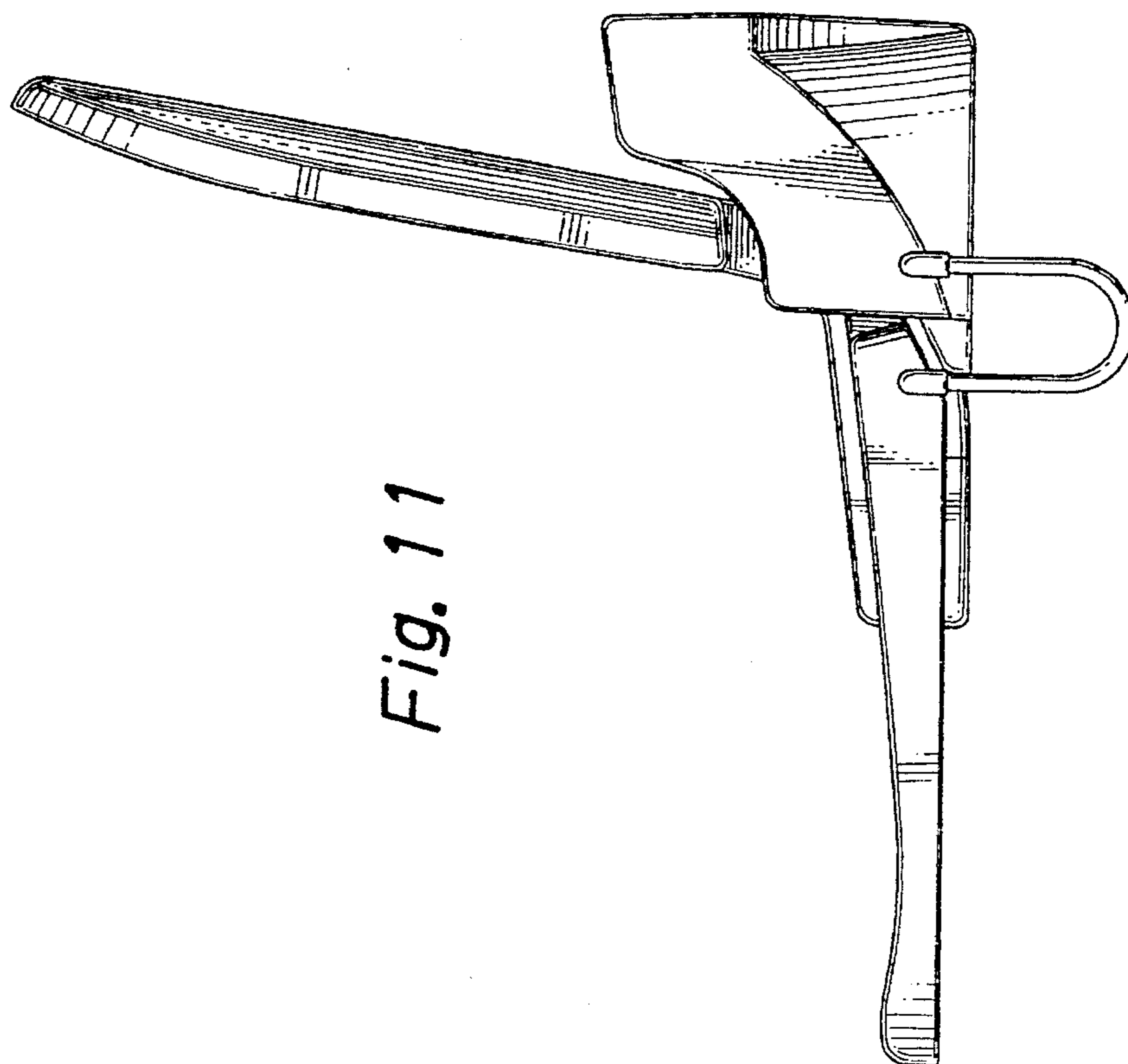
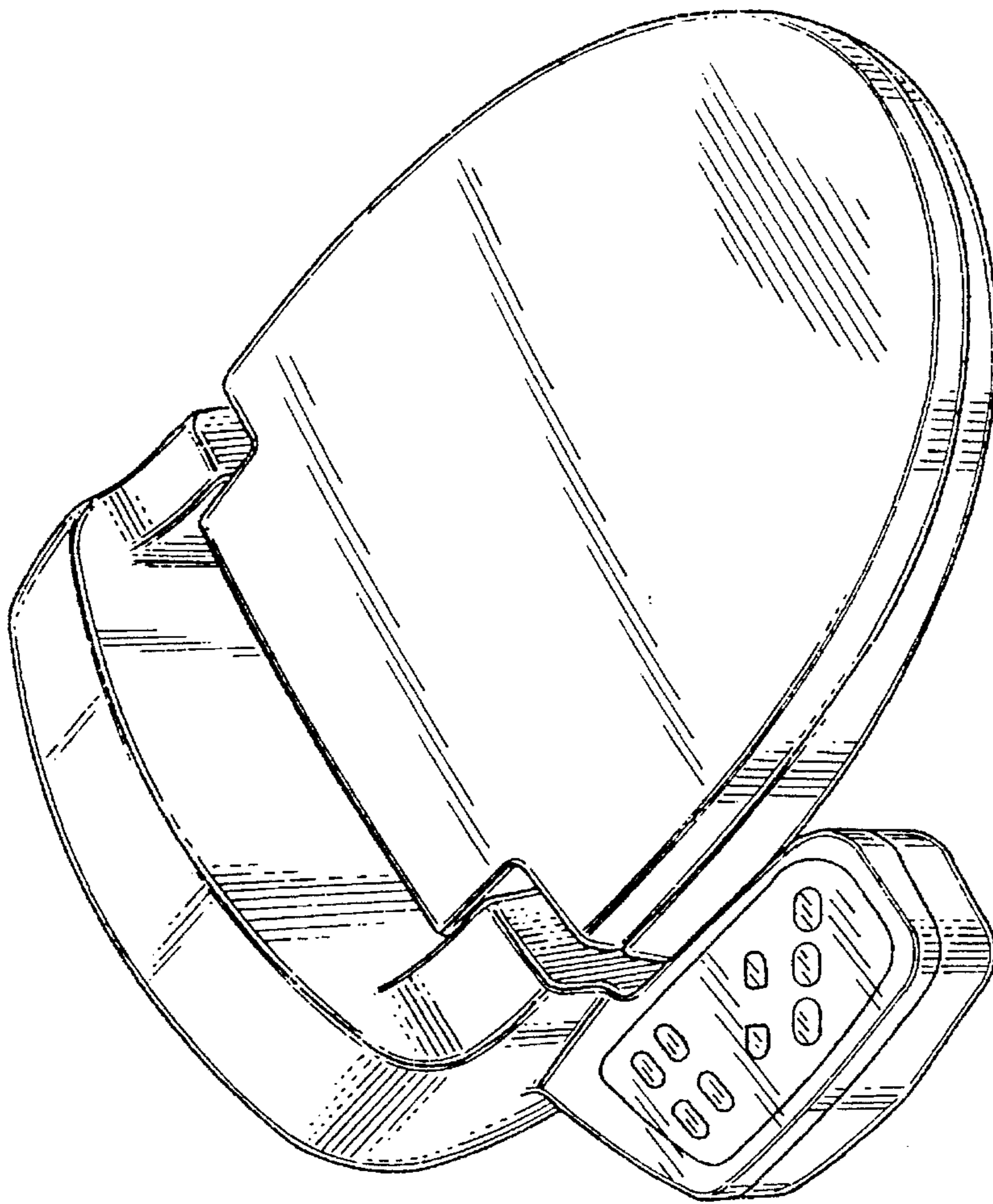


Fig. 11



*Fig. 13*