



US00D367920S

United States Patent [19]

Hill et al.

[11] Patent Number: **Des. 367,920**

[45] Date of Patent: ****Mar. 12, 1996**

[54] FAUCET SPOUT

[75] Inventors: **Loran R. Hill**, Indianapolis; **Anthony G. Spangler**, Sheridan, both of Ind.

[73] Assignee: **Masco Corporation of Indiana**, Taylor, Mich.

[**] Term: **14 Years**

[21] Appl. No.: **33,663**

[22] Filed: **Jan. 18, 1995**

Related U.S. Application Data

[63] Continuation of Ser. No. 15,162, Nov. 9, 1993, abandoned.

[52] U.S. Cl. **D23/255**

[58] Field of Search D23/238-243, D23/250-258; 4/625-678; 137/801

[56] References Cited

U.S. PATENT DOCUMENTS

- D. 251,794 5/1979 Smith .
- D. 254,801 4/1980 Santi .
- D. 267,110 11/1982 Arnolds .
- D. 268,608 4/1983 Wilcock .
- D. 276,259 11/1984 Miller .
- D. 278,270 4/1985 Nieman .
- D. 278,271 4/1985 Nieman .
- D. 279,598 6/1985 Rademacher .
- D. 280,010 8/1985 Miller et al. .
- D. 281,095 10/1985 Arnold et al. .
- D. 286,561 11/1986 Yost .
- D. 287,747 1/1987 Miller et al. .
- D. 288,835 3/1987 Yost .
- D. 290,992 6/1987 Hill et al. .
- D. 291,117 7/1987 Ryan .
- D. 291,236 9/1987 Delepine D23/242
- D. 295,550 5/1988 Yost .
- D. 295,551 5/1988 Yost .
- D. 318,906 8/1991 Spangler .

- D. 320,645 10/1991 Knapp et al. .
- D. 321,750 11/1991 Spangler .
- D. 326,901 6/1992 Yost D23/255
- D. 329,688 9/1992 Yost D23/255
- D. 339,853 9/1993 Higgins et al. .
- 1,853,154 4/1932 Snyder 4/676
- 2,878,489 3/1959 Graham .

OTHER PUBLICATIONS

Delta, The Way Water is Brought to Life (Full-Line Catalog).

Delta HDF Commercial Products Catalog.

Primary Examiner—Stella Reid

Assistant Examiner—E. Watterson

Attorney, Agent, or Firm—Myron B. Kapustij; Malcolm L. Sutherland

[57] CLAIM

The ornamental design for a faucet spout, as shown and described.

DESCRIPTION

FIG. 1 is a front perspective view of a faucet spout showing our new design;

FIG. 2 is a rear perspective view thereof;

FIG. 3 is a left side elevational view thereof;

FIG. 4 is a right side elevational view thereof;

FIG. 5 is a cross-sectional view taken along line 5—5 in FIG. 3;

FIG. 6 is a cross-sectional view taken along line 6—6 in FIG. 3;

FIG. 7 is a top plan view thereof;

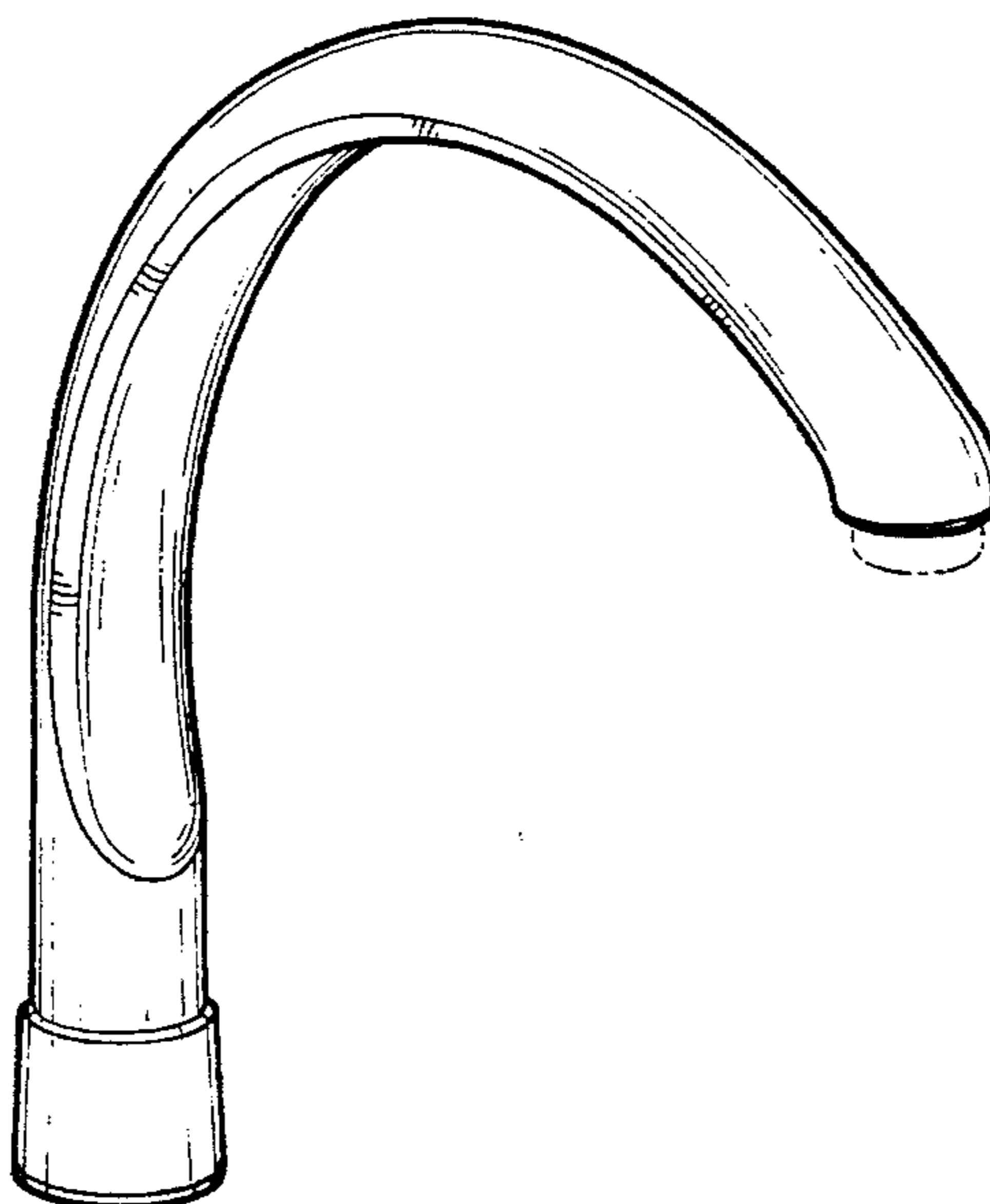
FIG. 8 is a front elevational view thereof;

FIG. 9 is a rear elevational view thereof; and,

FIG. 10 is a bottom plan view thereof.

The broken line showing of the aerator in FIG. 1 is for purposes of illustration only and forms no part of the claimed design.

1 Claim, 5 Drawing Sheets



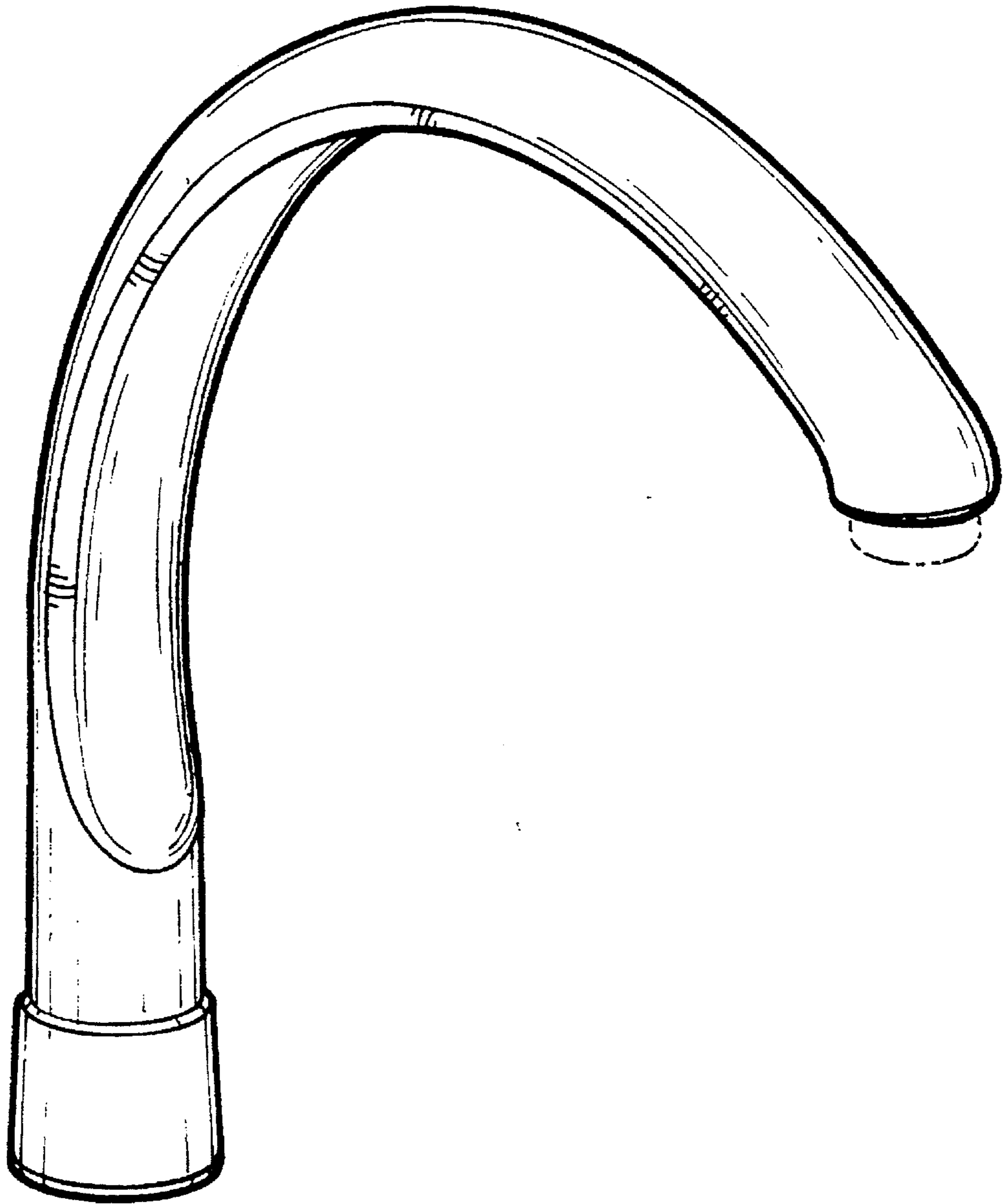


Fig - 1

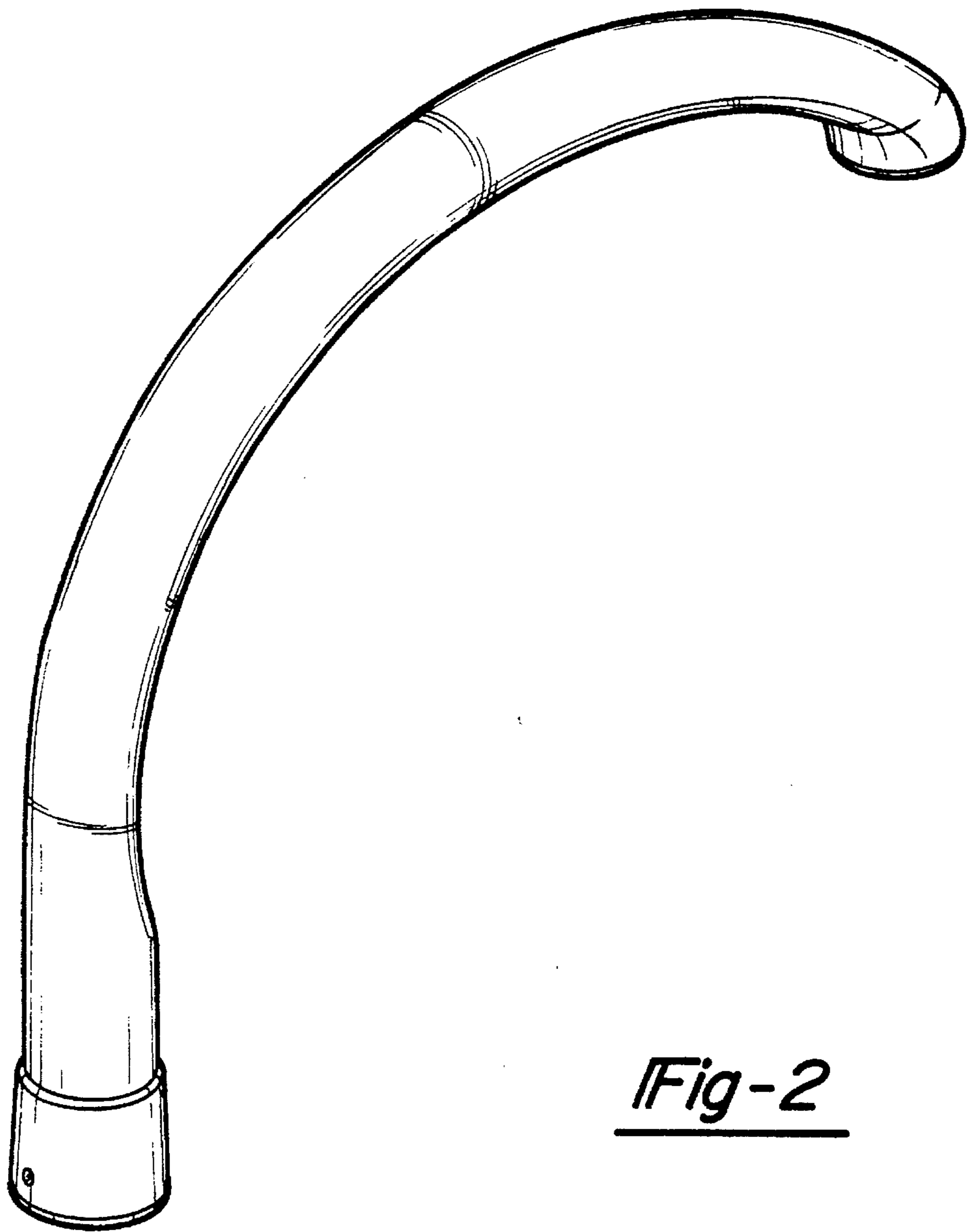


Fig-2

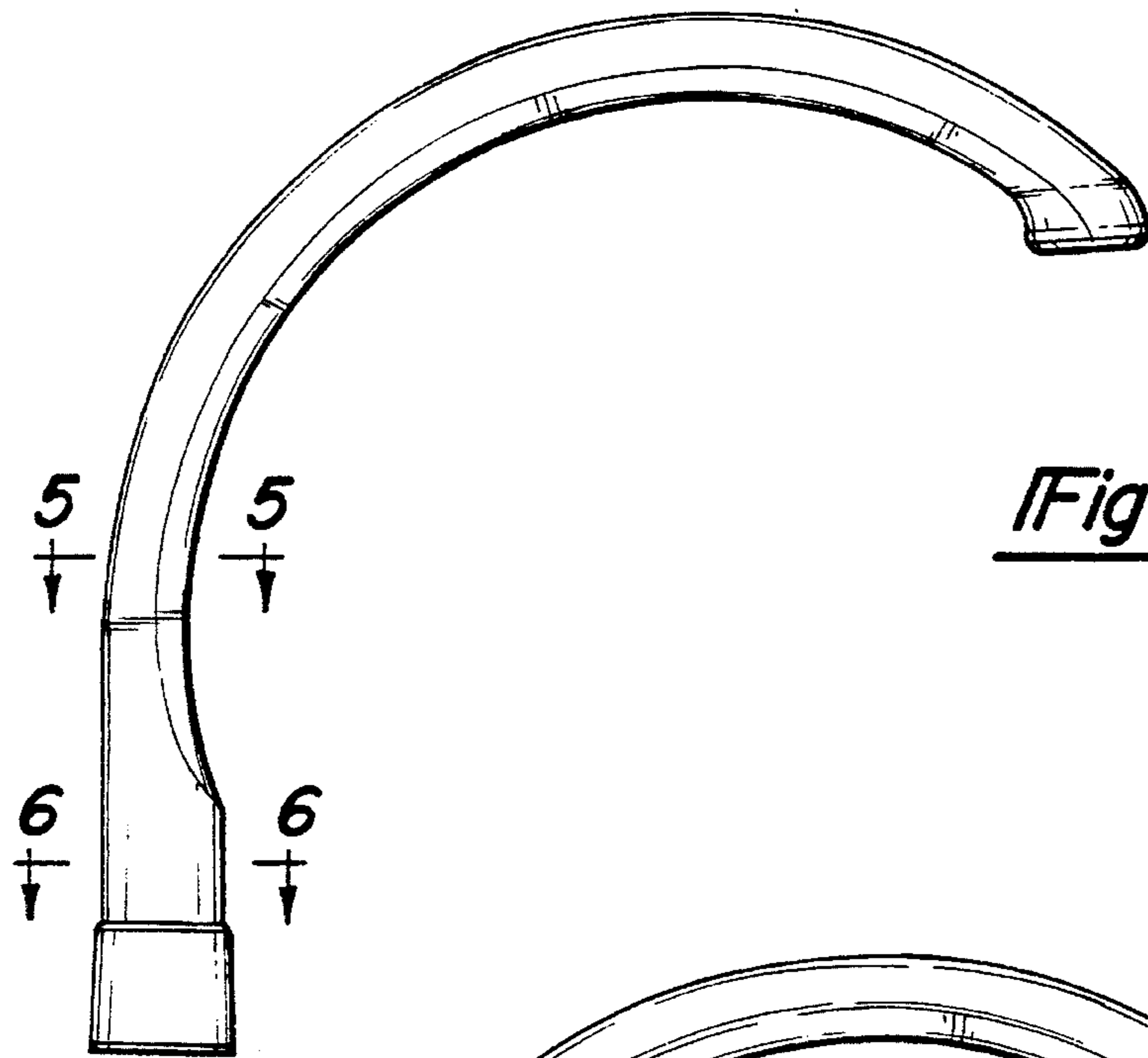


Fig-3

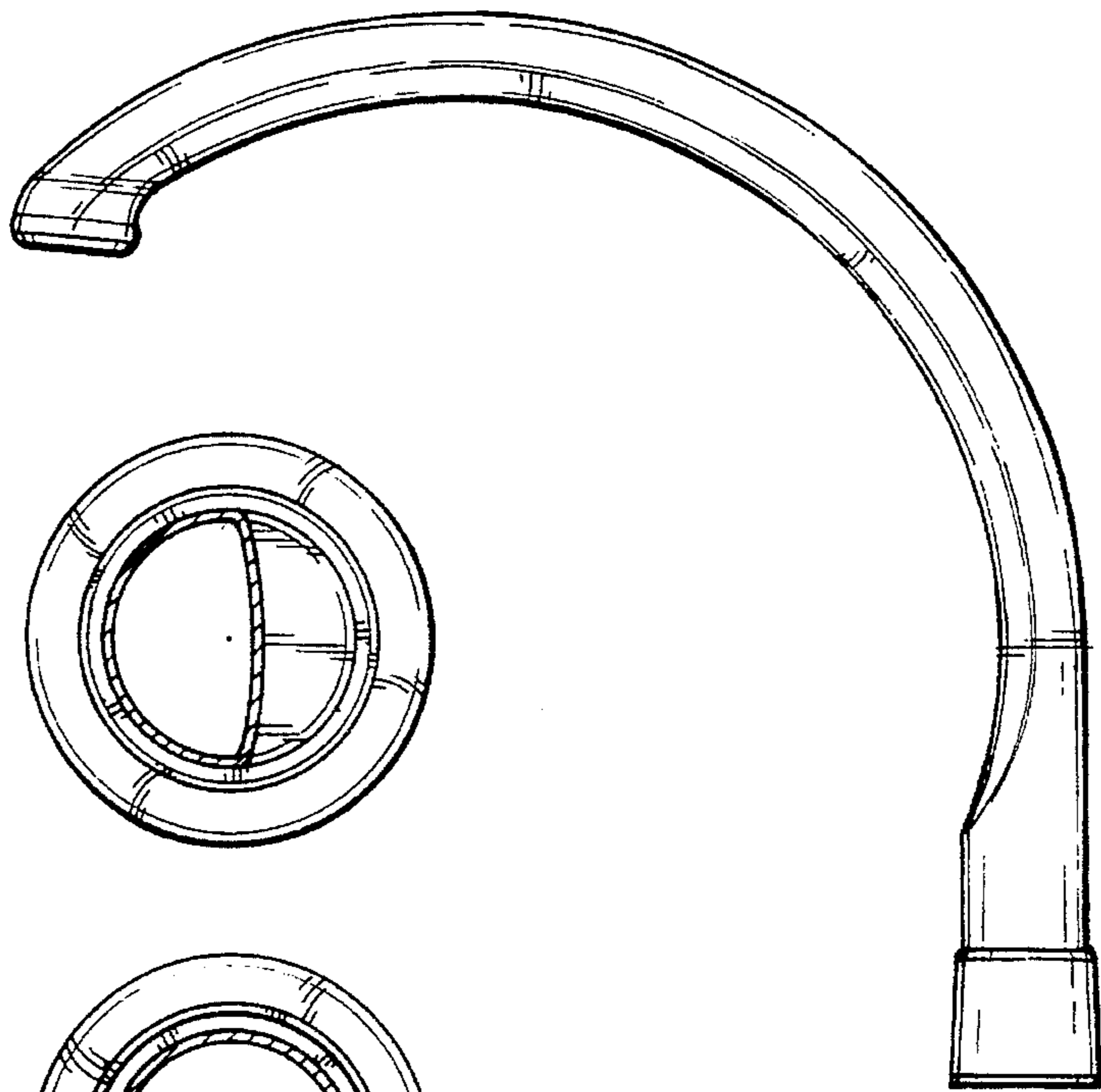


Fig-4

Fig-5

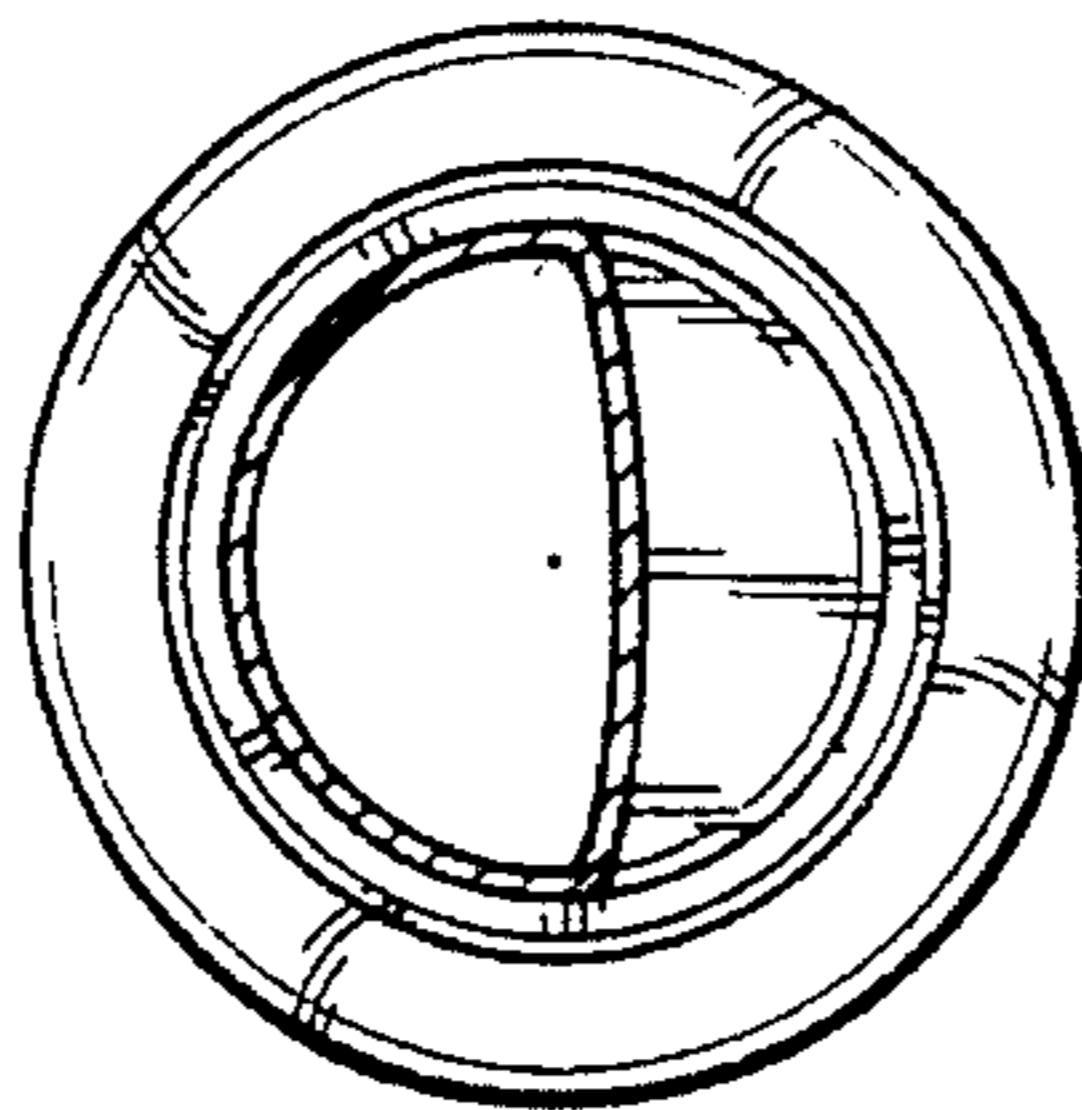
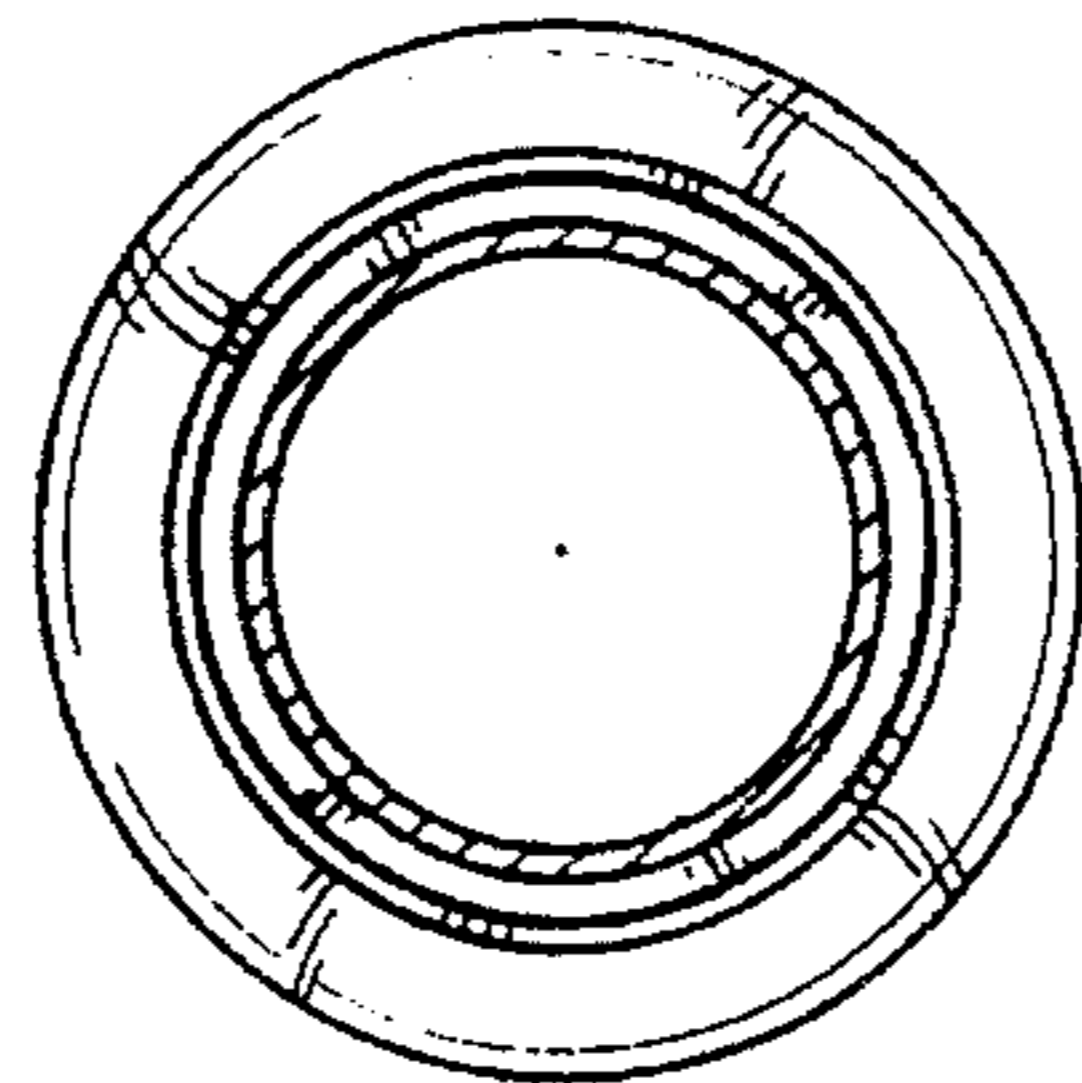


Fig-6



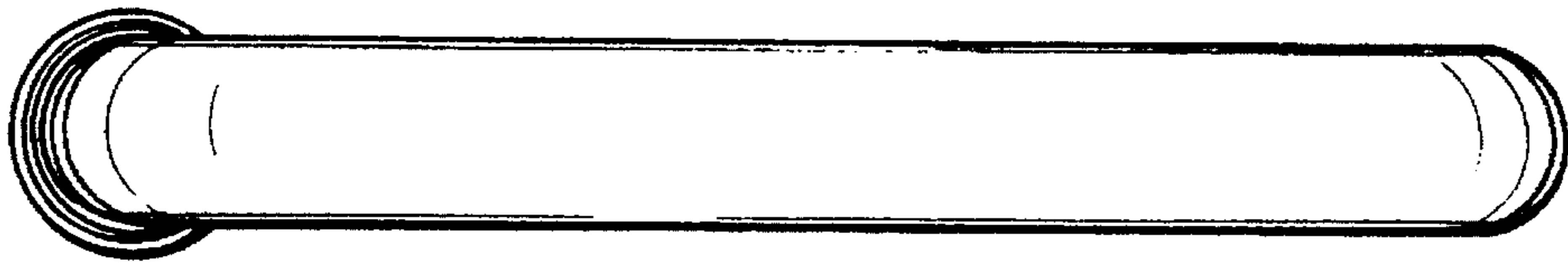


Fig - 7

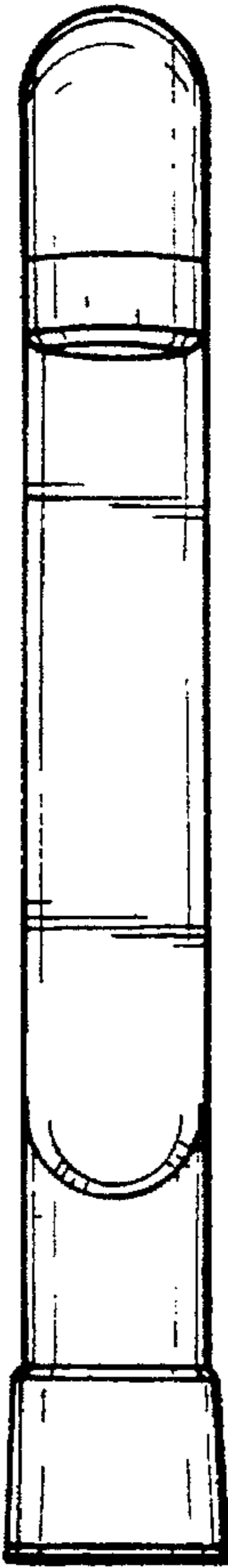


Fig - 8

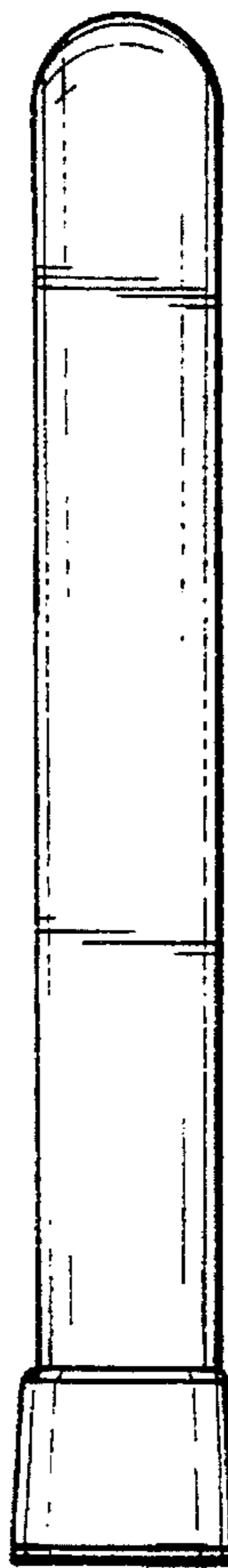


Fig - 9

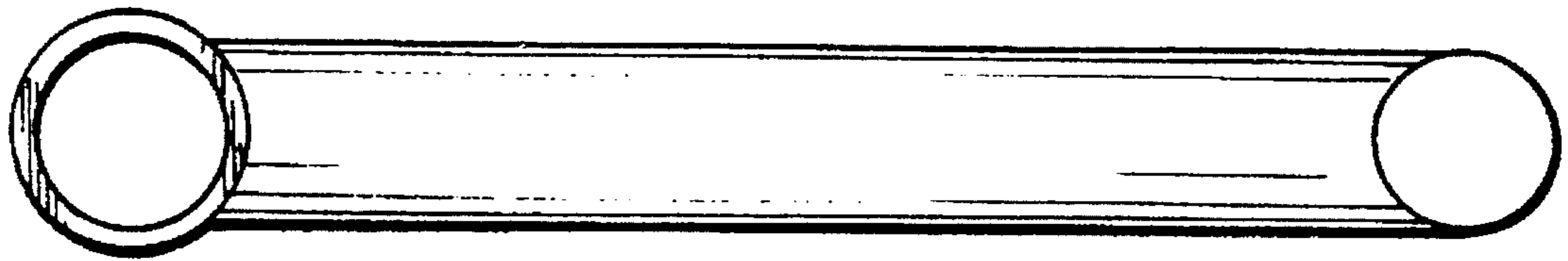


Fig - 10