



US00D367919S

**United States Patent** [19]  
**Lobermeier**

[11] **Patent Number: Des. 367,919**  
[45] **Date of Patent: \*\*Mar. 12, 1996**

[54] **FAUCET**  
[75] **Inventor: Hans Lobermeier, Menden, Germany**  
[73] **Assignee: Friedrich Grohe Aktiengesellschaft, Hemer, Germany**  
[\*\*] **Term: 14 Years**

D. 324,095 2/1992 Grohe ..... D23/238  
D. 324,904 3/1992 Haug et al. .... D23/238  
D. 351,017 9/1994 Gottwald ..... D23/238  
D. 353,650 12/1994 Haug et al. .... D23/238

*Primary Examiner*—Stella Reid  
*Assistant Examiner*—E. Watterson  
*Attorney, Agent, or Firm*—Herbert Dubno

[21] **Appl. No.: 37,165**  
[22] **Filed: Apr. 5, 1995**

[57] **CLAIM**

The ornamental design for a faucet, as shown and described.

[30] **Foreign Application Priority Data**

**DESCRIPTION**

Oct. 31, 1994 [DE] Germany ..... 94 08 477.7  
[52] **U.S. Cl.** ..... **D23/238**  
[58] **Field of Search** ..... D23/238-243,  
D23/255-258, 250-254; 4/623, 625-678;  
137/801

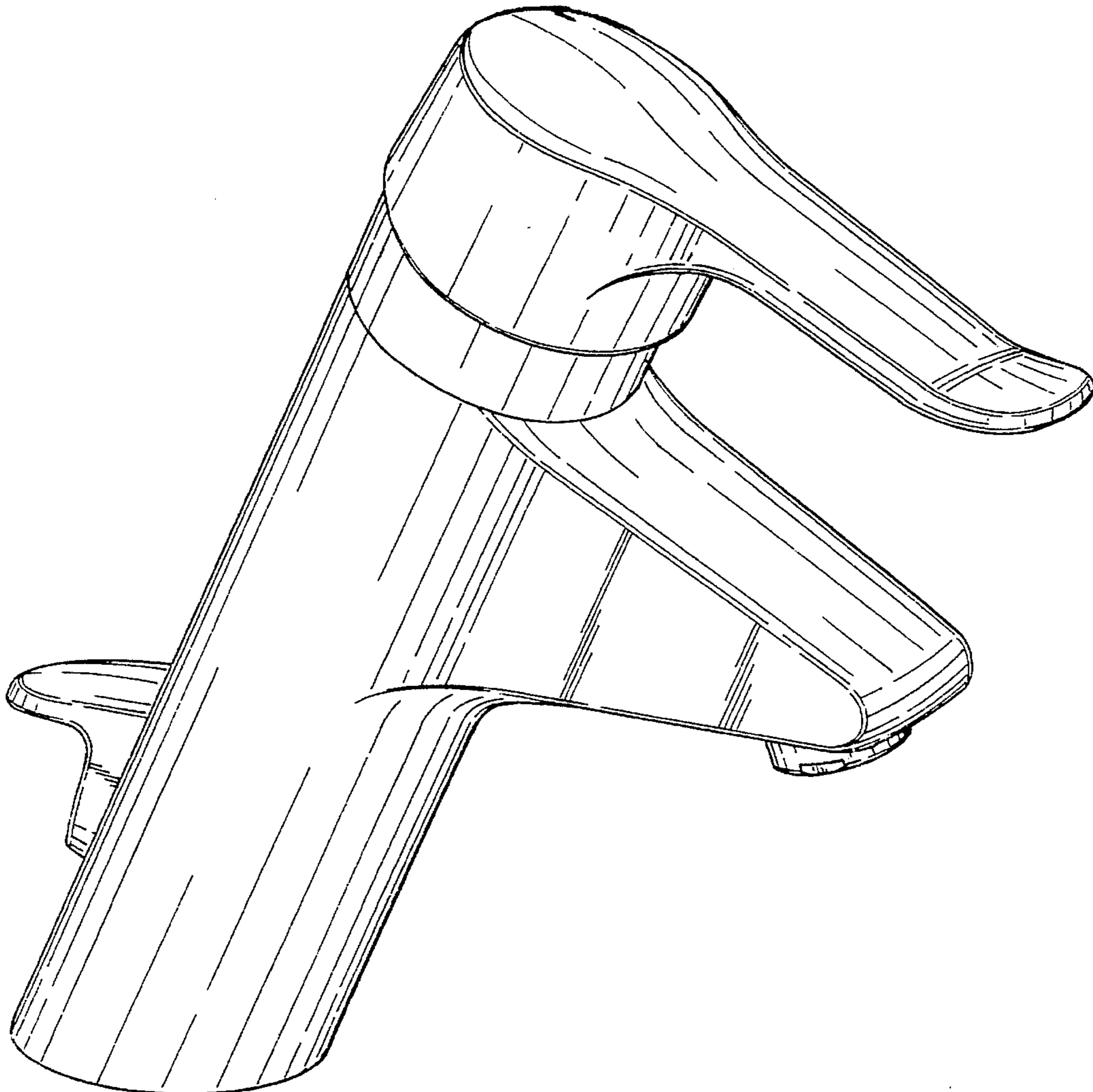
FIG. 1 is a top, front, left-side perspective view of a faucet showing my new design;  
FIG. 2 is a top view thereof;  
FIG. 3 is a left side elevational view, the opposite side being a mirror image thereof;  
FIG. 4 is a bottom view thereof;  
FIG. 5 is a rear view thereof; and,  
FIG. 6 is a front view thereof.

[56] **References Cited**

**U.S. PATENT DOCUMENTS**

D. 253,607 12/1979 Haug ..... D23/238

**1 Claim, 3 Drawing Sheets**



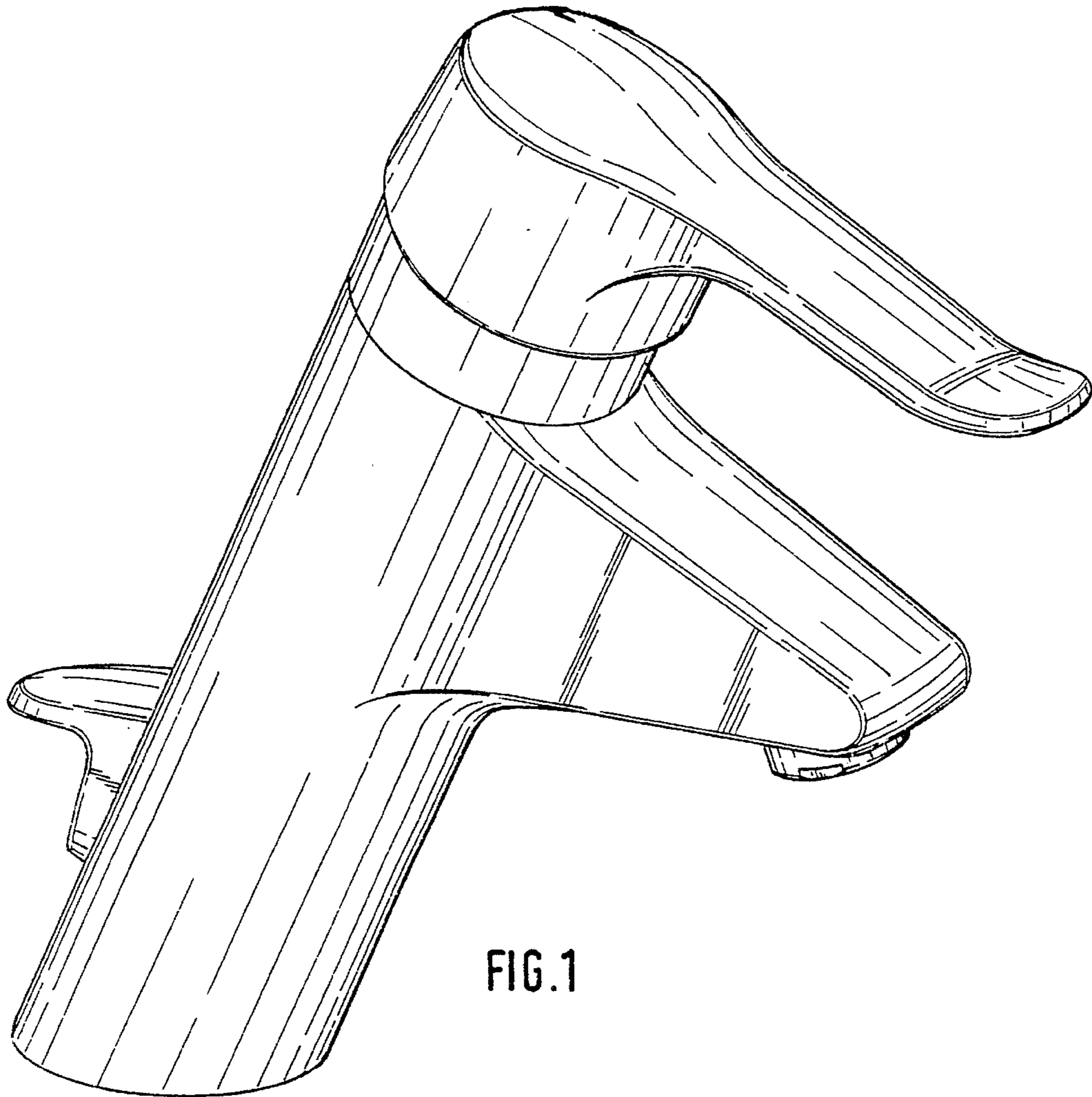
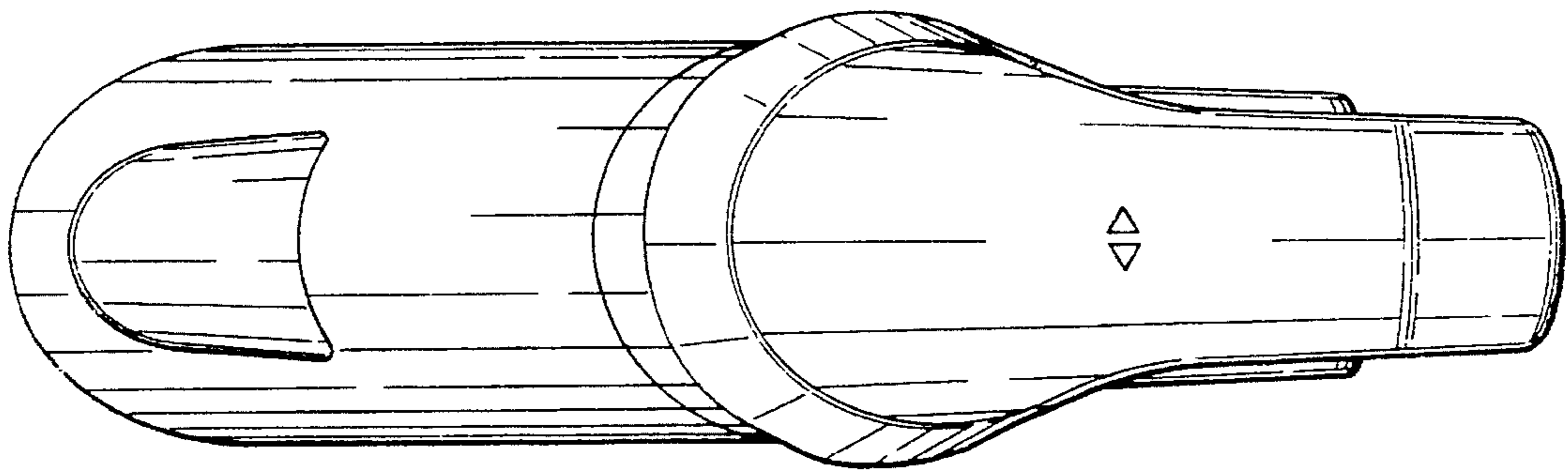


FIG. 2



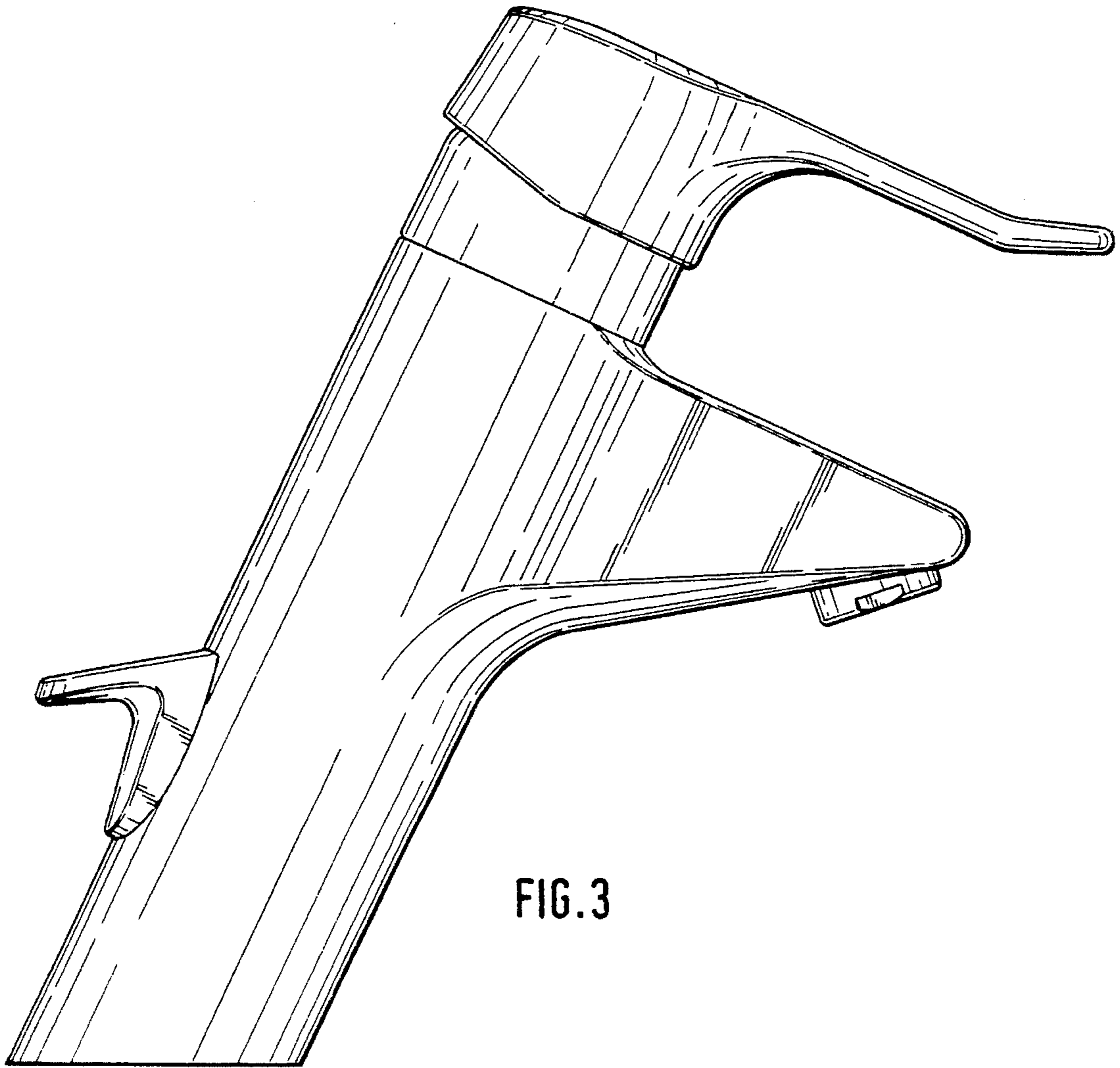
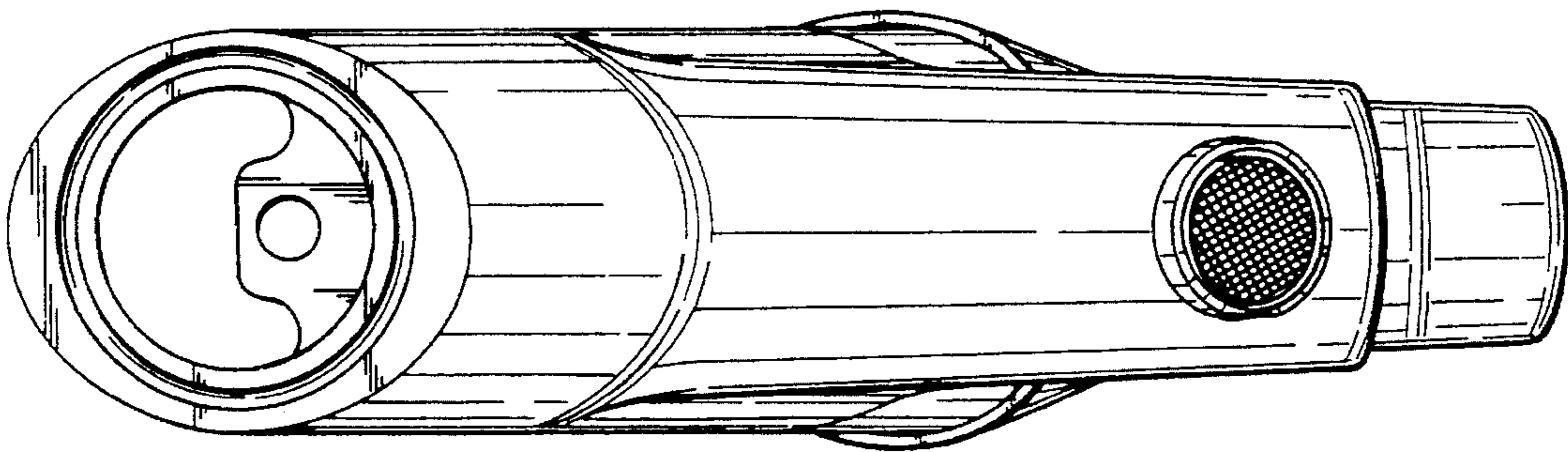


FIG. 4



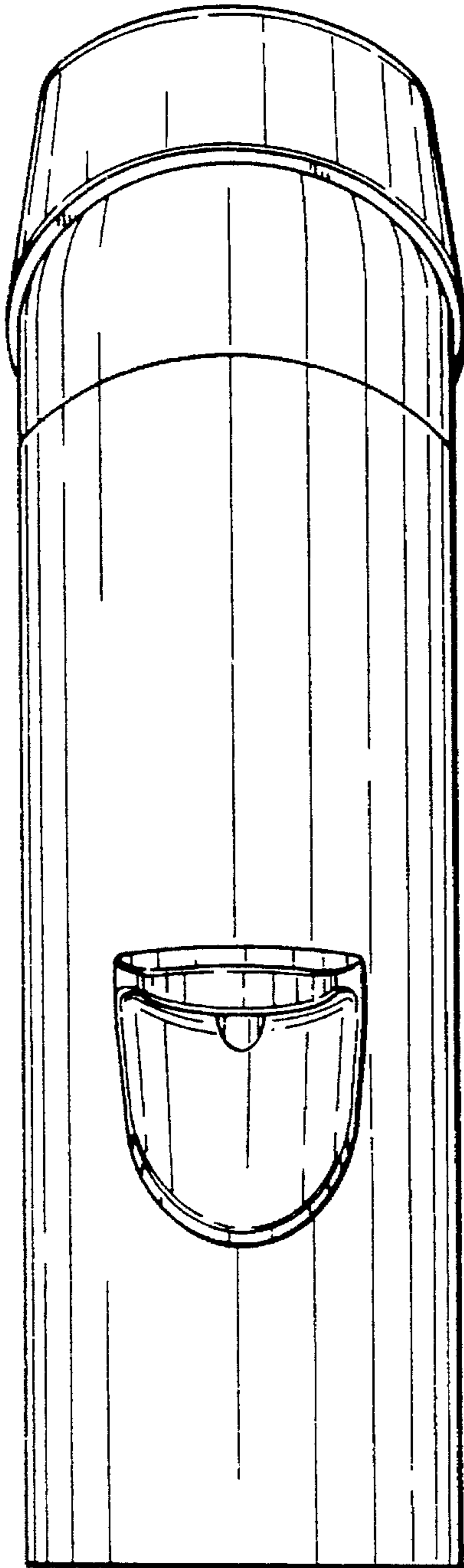


FIG. 5

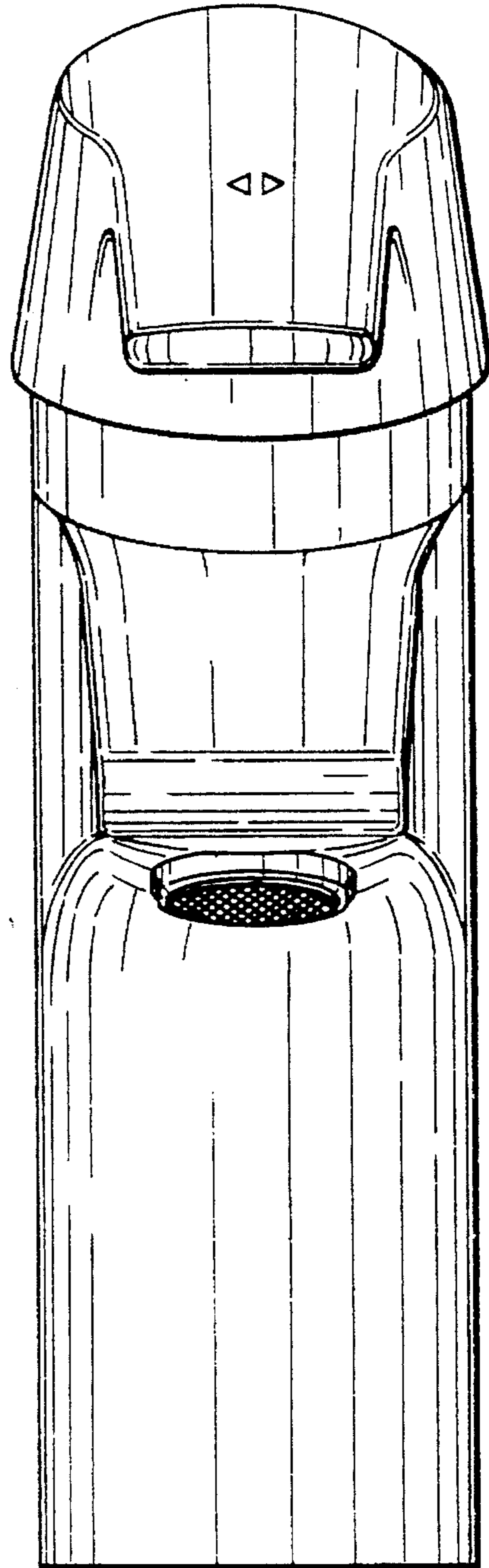


FIG. 6