



US00D367917S

United States Patent [19]

[11] Patent Number: **Des. 367,917**

Haug et al.

[45] Date of Patent: ****Mar. 12, 1996**

[54] **COMBINED FAUCET BODY, SPOUT AND BASE**

[75] Inventors: **Andreas Haug**, Stuttgart, Germany; **Loran R. Hill**, Indianapolis, Ind.; **Thomas W. Schonherr**, Stuttgart, Germany; **Anthony G. Spangler**, Sheridan, Ind.

[73] Assignee: **Masco Corporation of Indiana**, Taylor, Mich.

[**] Term: **14 Years**

[21] Appl. No.: **31,160**

[22] Filed: **Nov. 21, 1994**

Related U.S. Application Data

[63] Continuation of Ser. No. 15,040, Nov. 2, 1993, abandoned.

[52] U.S. Cl. **D23/238**

[58] Field of Search D23/238-243, D23/250-258; 4/675-678; 137/801

[56] References Cited

U.S. PATENT DOCUMENTS

D. 140,557	3/1945	Stanitz .	
D. 193,885	10/1962	Andrews .	
D. 197,000	11/1963	Landell .	
D. 203,246	12/1965	Harvey et al. .	
D. 213,874	4/1969	Landell	D23/238
D. 219,779	1/1971	Tiller .	
D. 253,799	1/1980	Saporito et al.	D23/243
D. 288,837	3/1987	Yost .	
D. 297,357	8/1988	Spangler .	
D. 297,358	8/1988	Hill .	
3,035,612	5/1962	Lyon .	
3,202,181	8/1965	West	D23/238 X
4,804,010	2/1989	Meissenburg	4/675 X

OTHER PUBLICATIONS

Kohler pp. 3-36.
Delta Full Line Catalog—The Way Water is Brought To Life.
Delta Full Line Price List.
Euroexclusive: Euromodular.
Delta HDF Catalog [Commercial Products].
Best.
Moen—Enduring Elegance.
Delta Full Line Catalog—Living with Classics.
Sweet's Catalog File (1977).

Primary Examiner—Stella Reid
Assistant Examiner—Eric Watterson
Attorney, Agent, or Firm—Myron B. Kapustij; Malcolm L. Sutherland

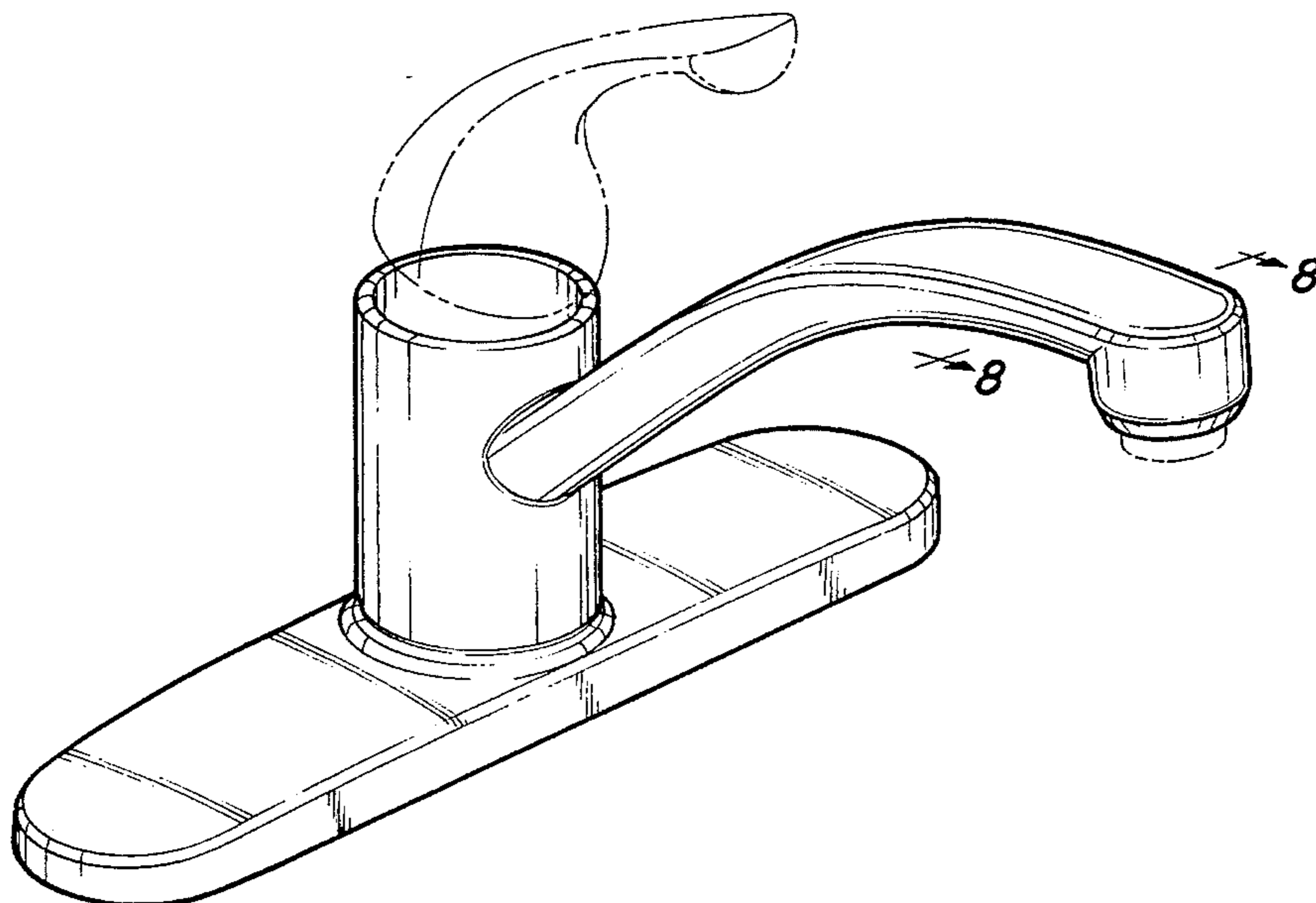
[57] CLAIM

The ornamental design for a combined faucet body, spout, and base, as shown and described.

DESCRIPTION

FIG. 1 is a top front perspective view of a combined faucet body, spout, and base showing our new design; FIG. 2 is a top rear perspective view thereof; FIG. 3 is a top plan view thereof; FIG. 4 is a front elevational view thereof; FIG. 5 is a left side elevational view thereof; FIG. 6 is a right side elevational view thereof; FIG. 7 is a rear elevational view thereof; and, FIG. 8 is a cross-sectional view of the spout taken along line 8-8 in FIG. 1. The broken line showing of a handle and aerator in FIG. 1 is for purposes of illustration only and forms no part of the claimed design.

1 Claim, 5 Drawing Sheets



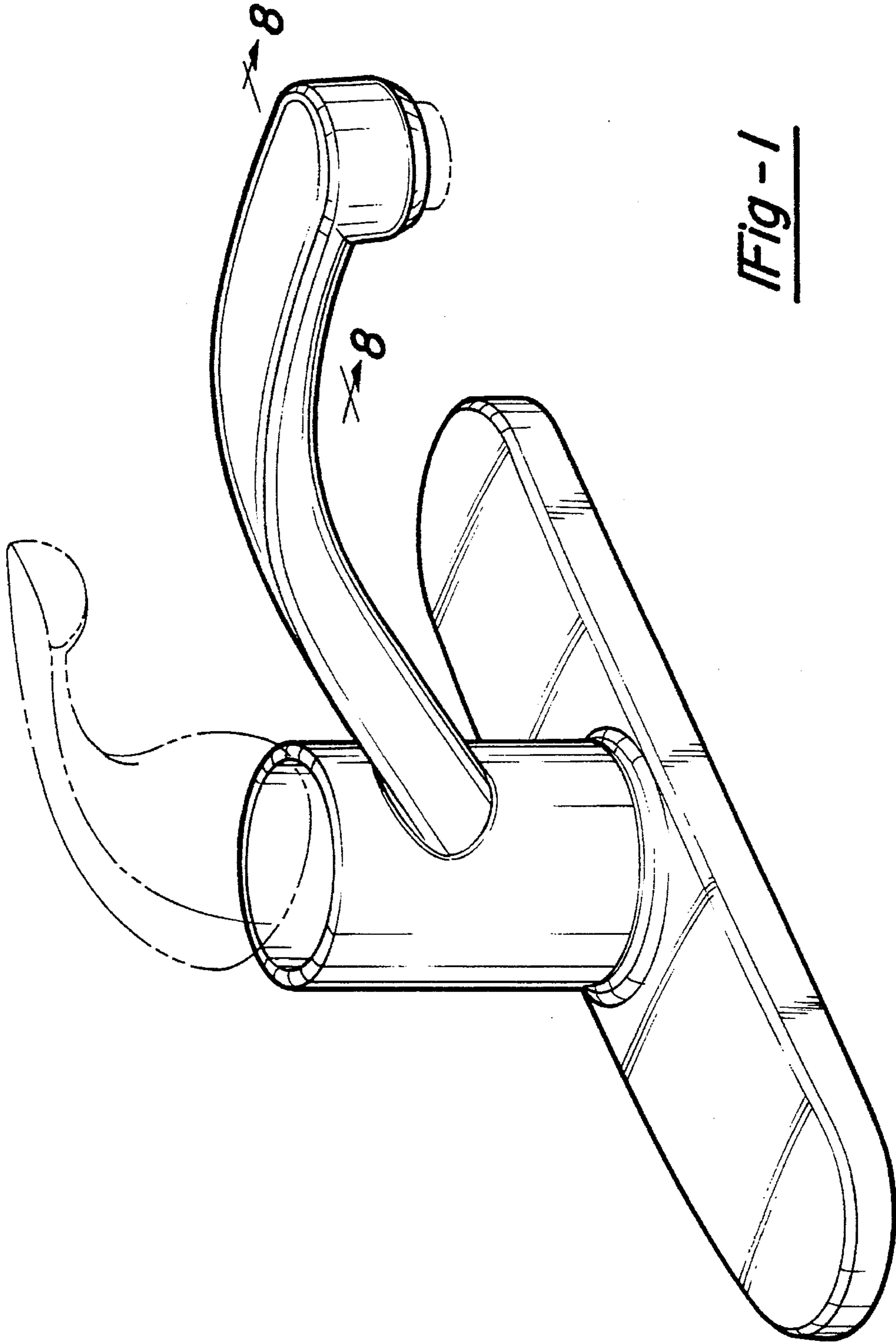


Fig - 1

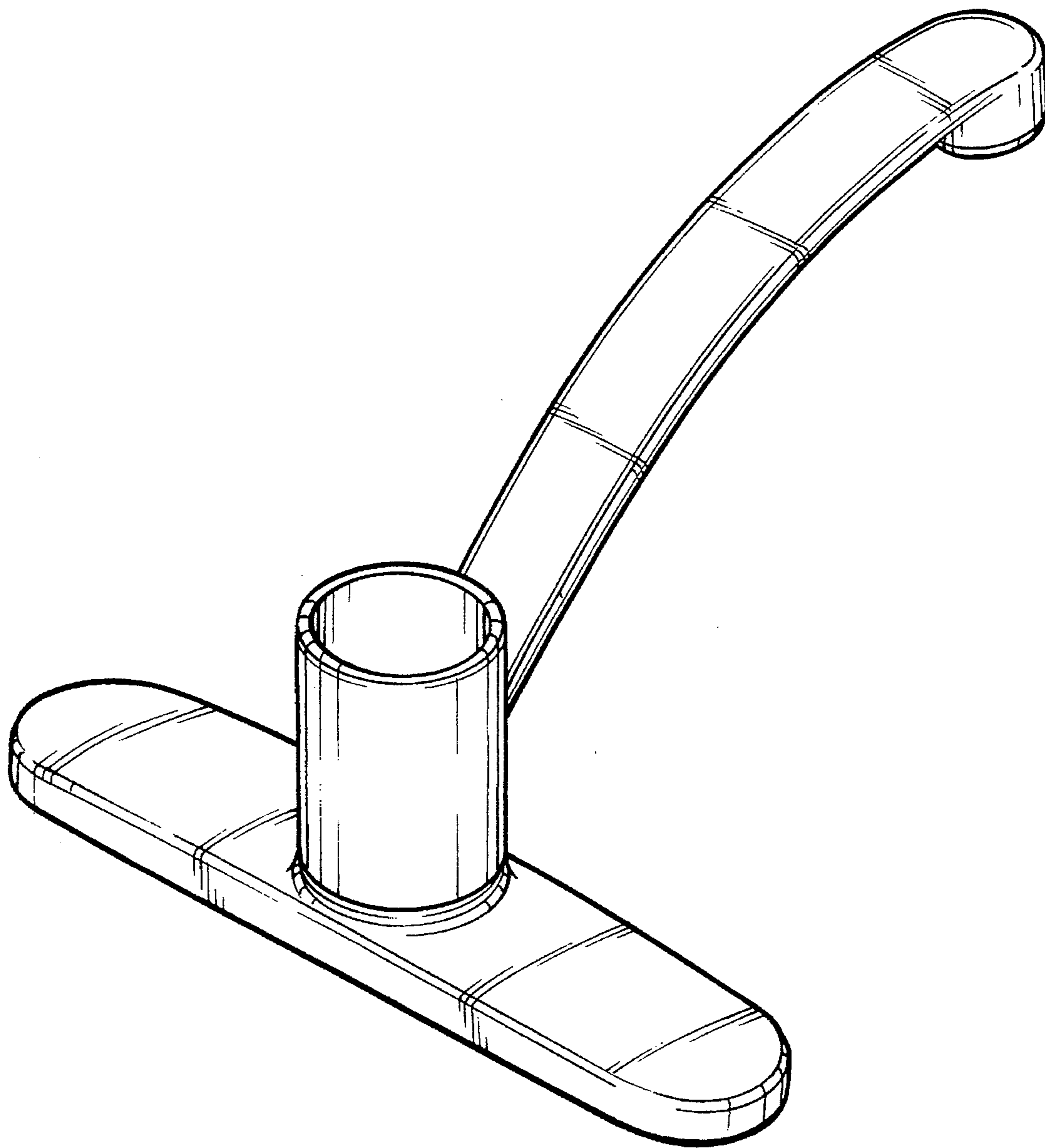


Fig-2

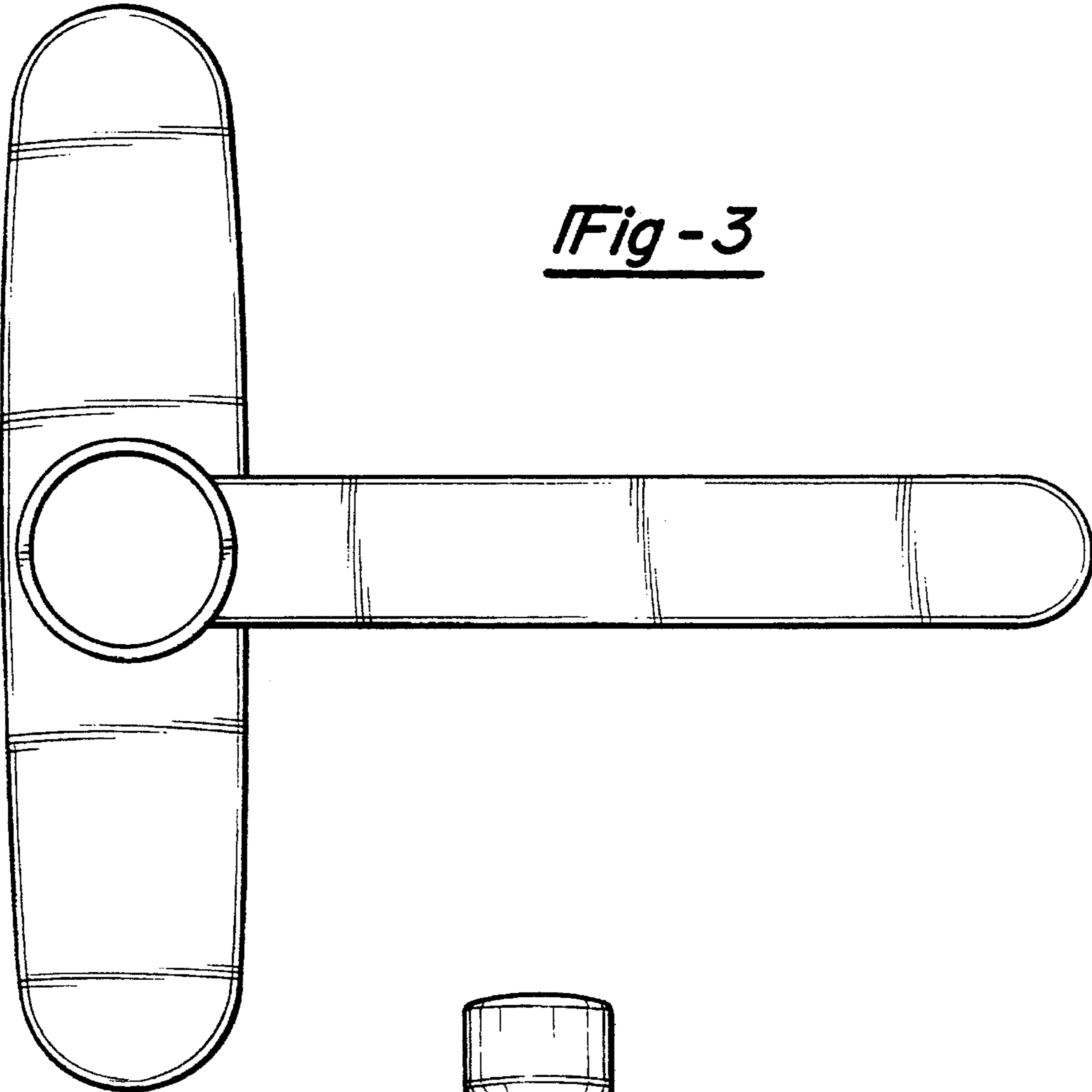


Fig - 3

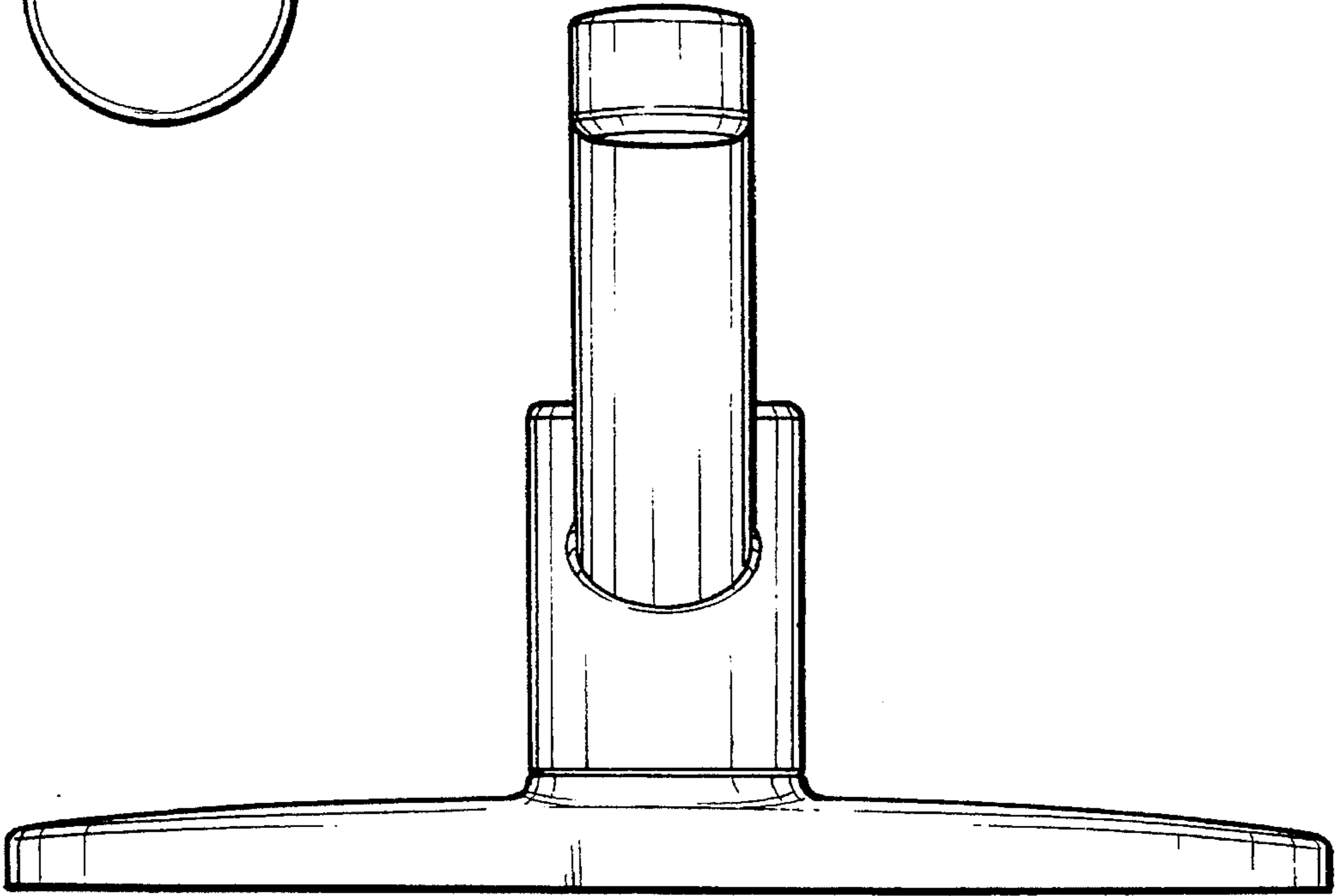


Fig - 4

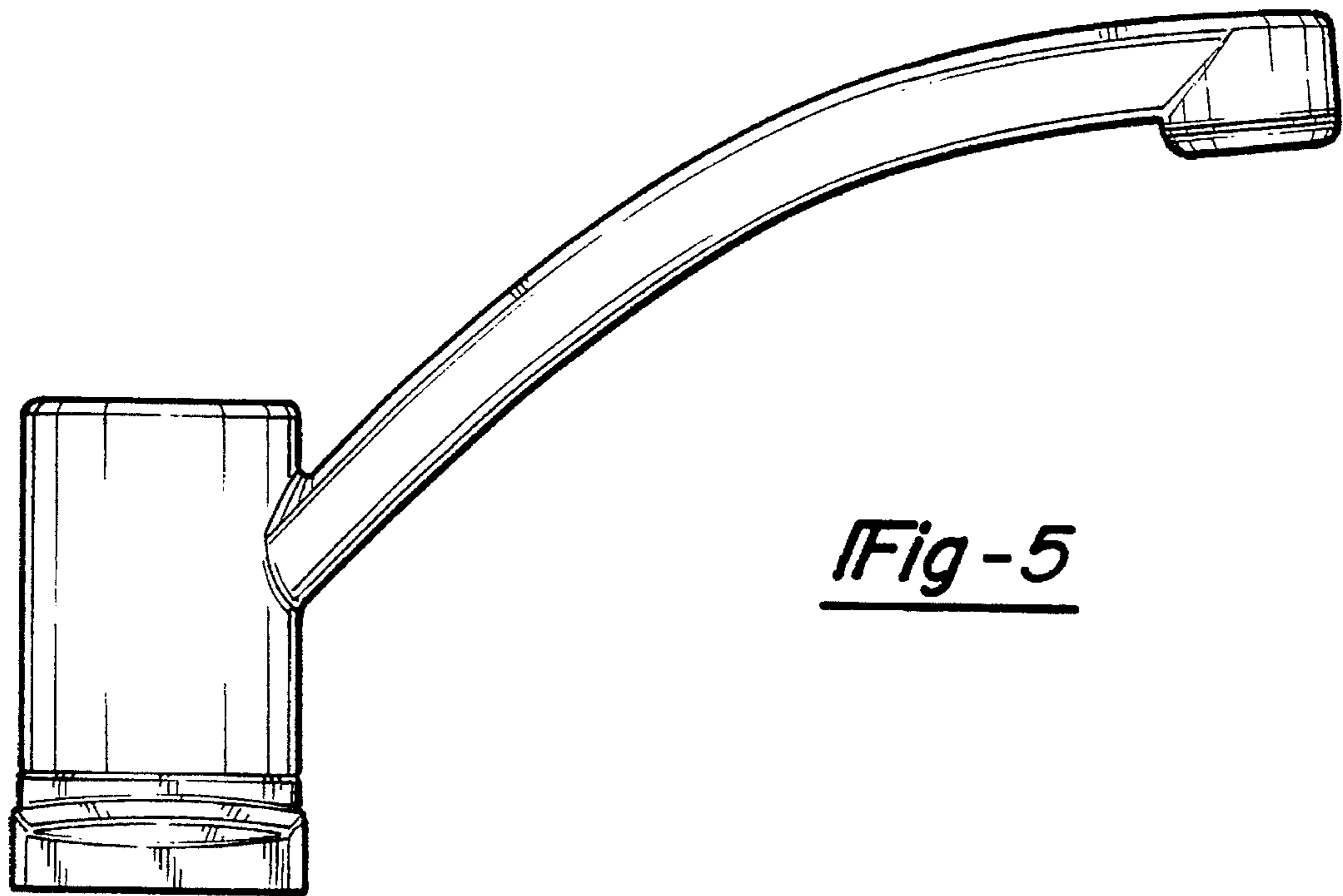


Fig-5

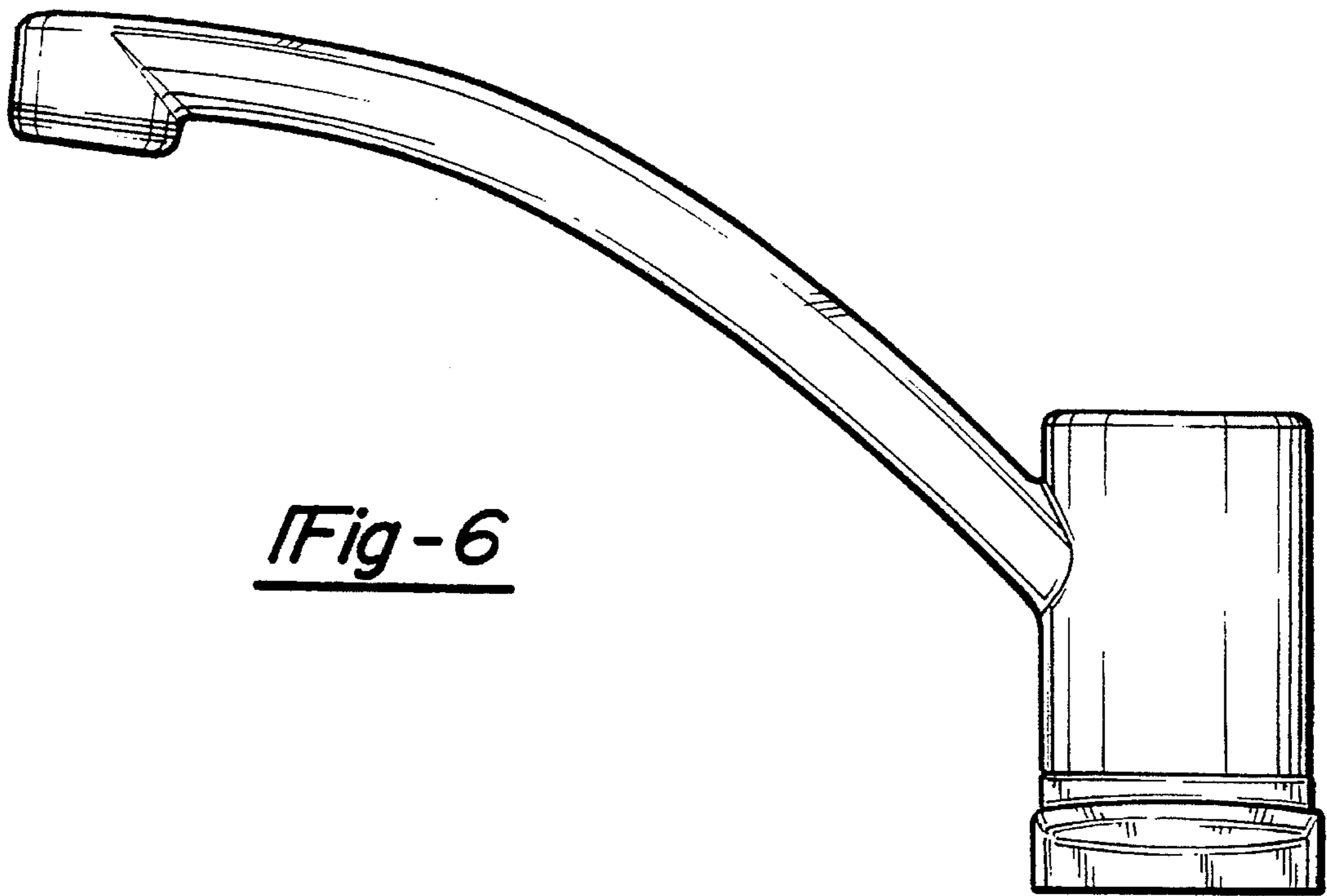


Fig-6

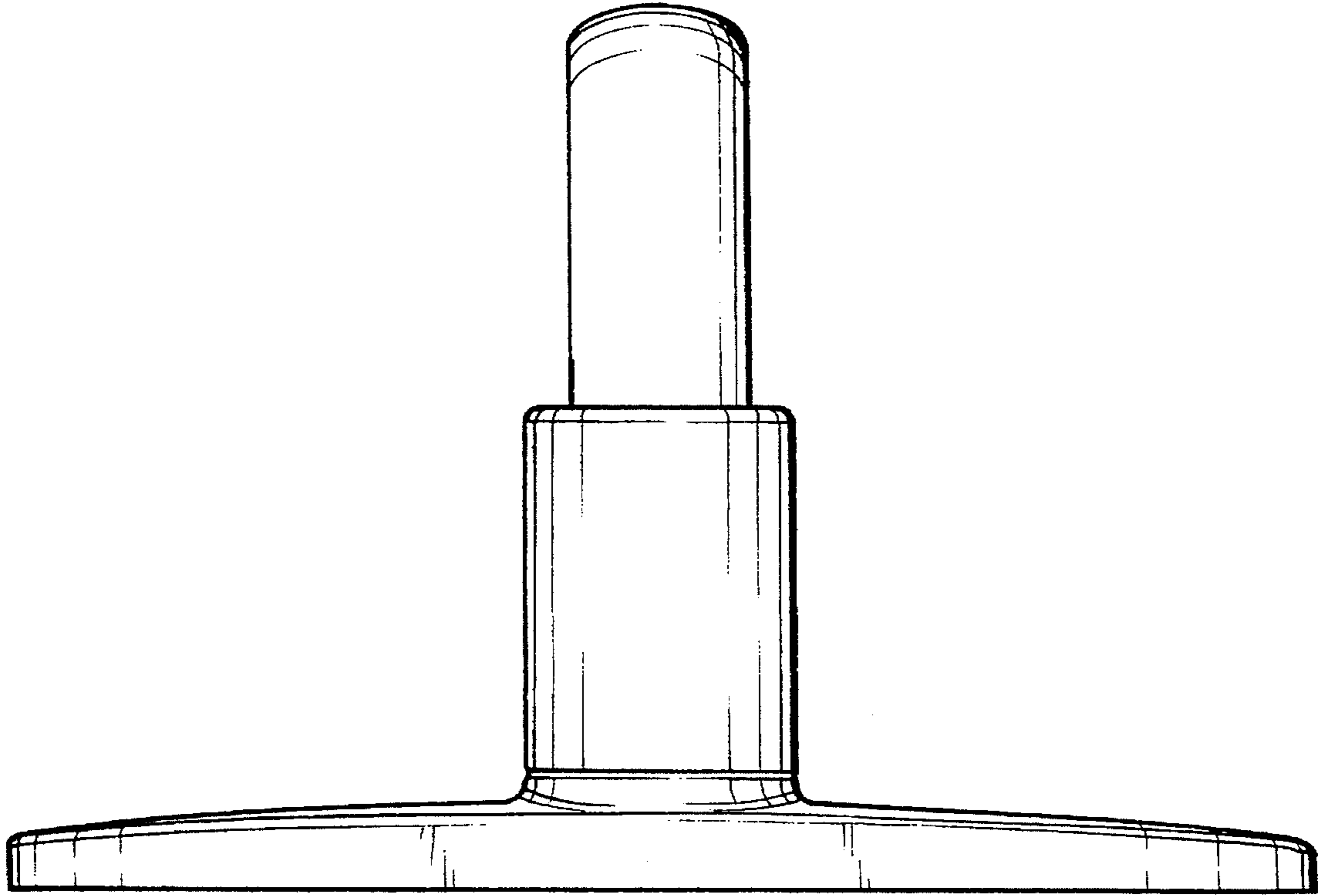


Fig - 7

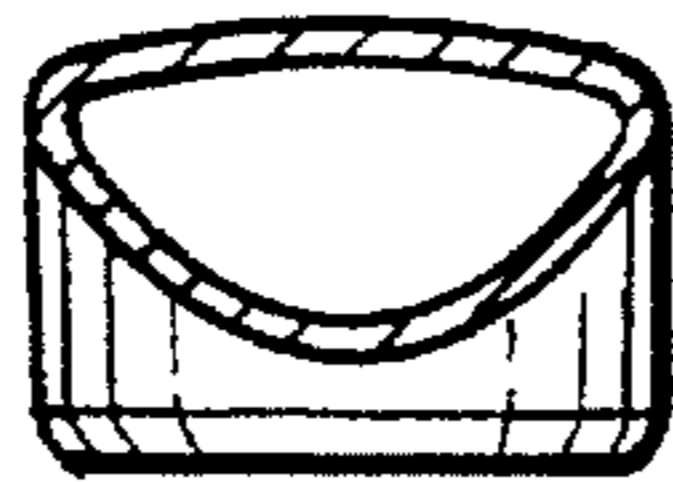


Fig - 8