



US00D367916S

United States Patent [19]

[11] Patent Number: **Des. 367,916**

Thomas et al.

[45] Date of Patent: ****Mar. 12, 1996**

[54] SAFETY SHUT-OFF VALVE FOR HIGH PRESSURE BOTTLES

1446854 8/1976 United Kingdom .

[76] Inventors: **Clinton L. Thomas**, 1201 N. Custer, Miles City, Mont. 59301; **Jason R. Coldwell**, HC46, Kinsey, Mont. 59338

Primary Examiner—Stella Reid
Assistant Examiner—E. Watterson
Attorney, Agent, or Firm—Richard C. Litman

[**] Term: **14 Years**

[57] **CLAIM**

The ornamental design for a safety shut-off valve for high pressure bottles, as shown and described.

[21] Appl. No.: **37,147**

DESCRIPTION

[22] Filed: **Apr. 5, 1995**

[52] U.S. Cl. **D23/233**

[58] Field of Search D23/233-237, D23/244-249; 137/460, 517, 526

FIG. 1 is a top perspective view of a safety shut-off valve for high pressure bottles showing my new design;
FIG. 2 is a bottom perspective, partially exploded view thereof;
FIG. 3 is a top view thereof;
FIG. 4 is a front elevational side view with the rear, left side and right sides being mirror images thereof;
FIG. 5 is a bottom view of the upper part of the design as seen in FIG. 2;
FIG. 6 is a bottom view of the upper part of the design as seen in FIG. 7; and,
FIG. 7 is a top perspective view of another embodiment of a safety shut-off valve for high pressure bottles showing my new design.

[56] **References Cited**

U.S. PATENT DOCUMENTS

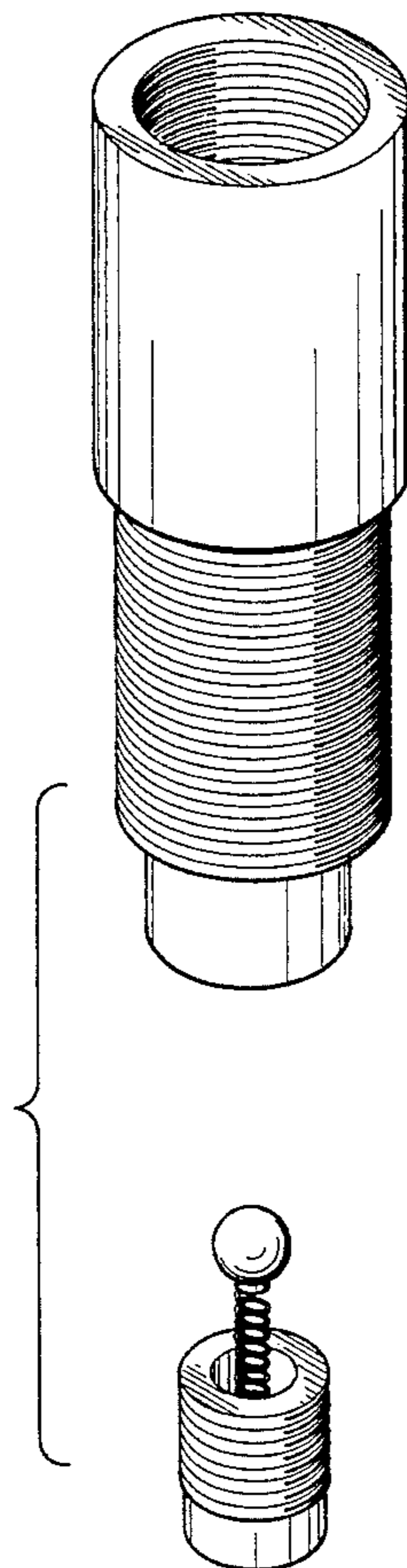
4,010,770	3/1977	Peters	137/460 X
4,089,343	5/1978	Ishida .	
4,319,604	3/1982	Bird	137/460 X
4,349,042	9/1982	Shimizu	137/460 X
4,349,043	9/1982	Christensen .	
4,611,628	9/1986	Pasternack .	
4,744,387	5/1988	Otteman .	
4,986,312	1/1991	Gute	138/44 X
5,022,435	6/1991	Jaw-Shiunn .	
5,123,442	6/1992	Geuy et al. .	

FOREIGN PATENT DOCUMENTS

1087683 2/1955 France .

The top, front, rear, left side and right side views of the second embodiment of the invention are identical to the corresponding views of the first embodiment of the invention.

1 Claim, 4 Drawing Sheets



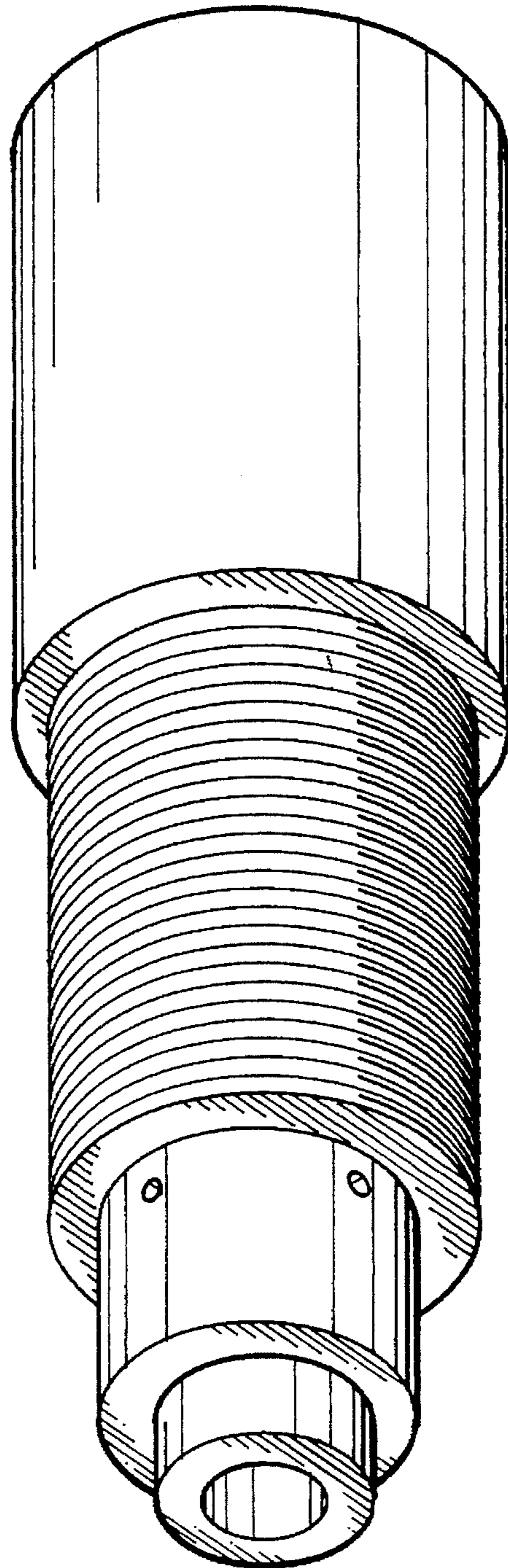


FIG. 1

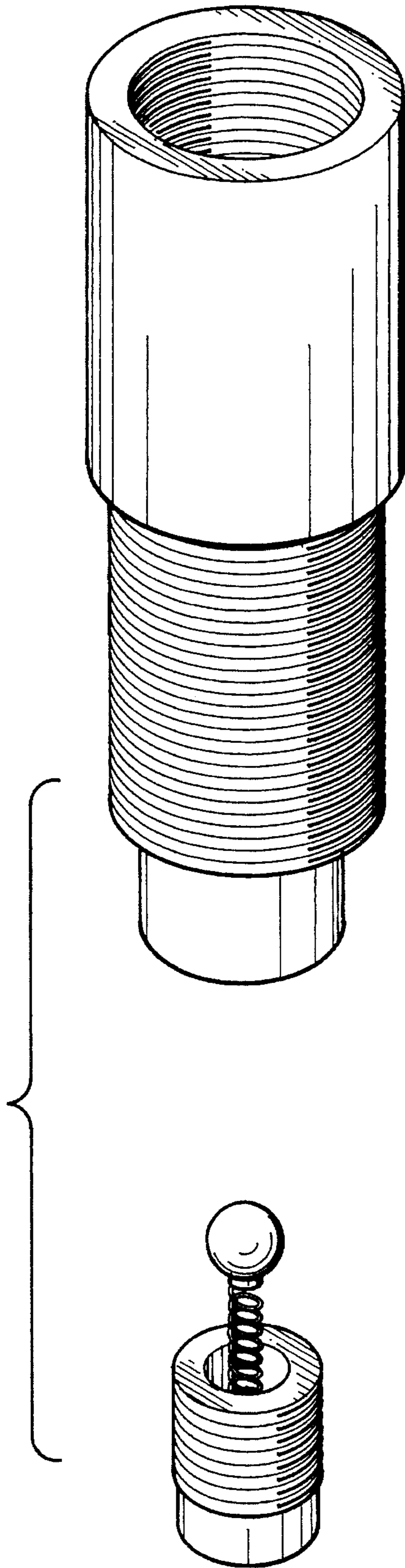


FIG. 2

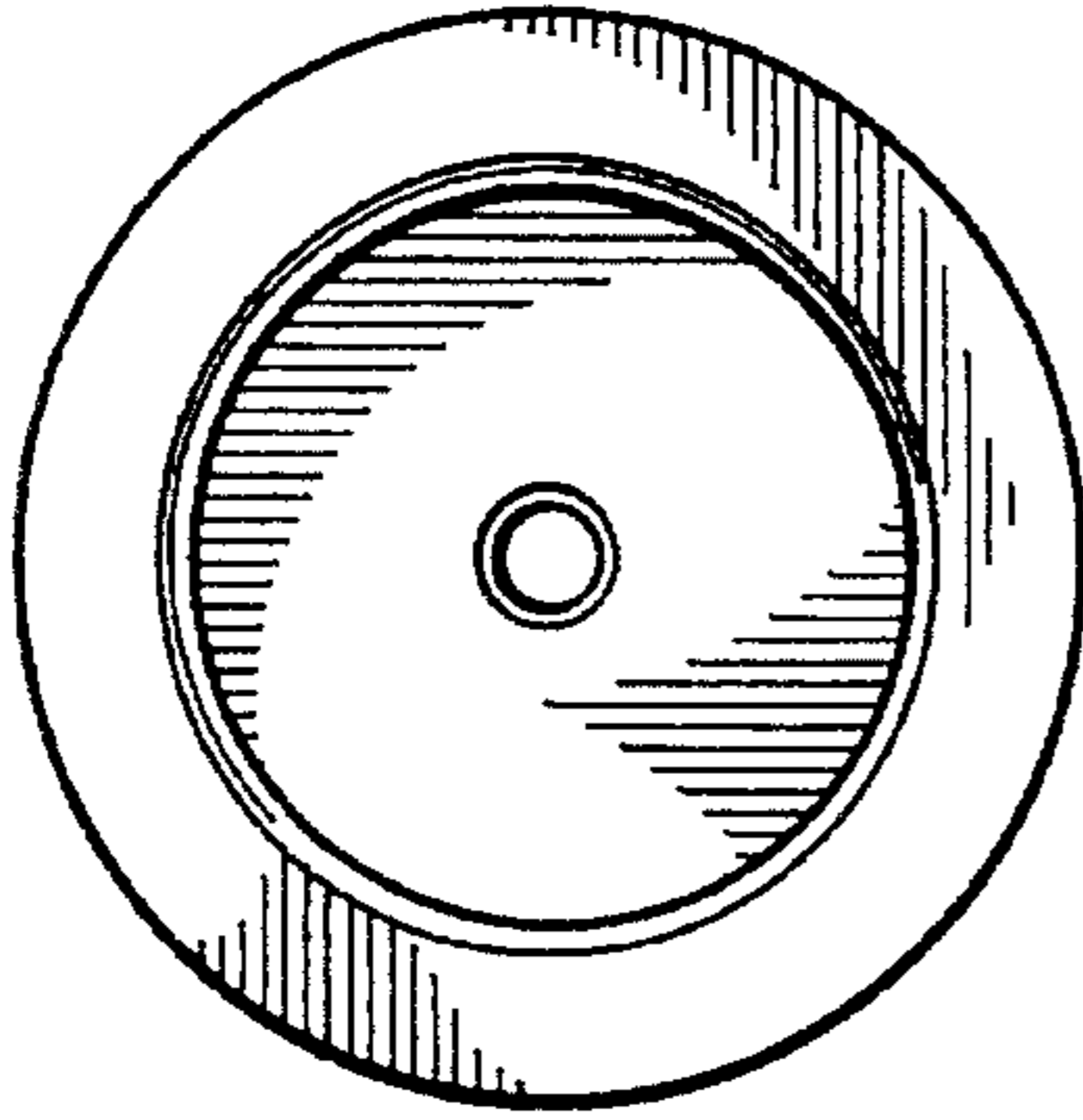


FIG. 3

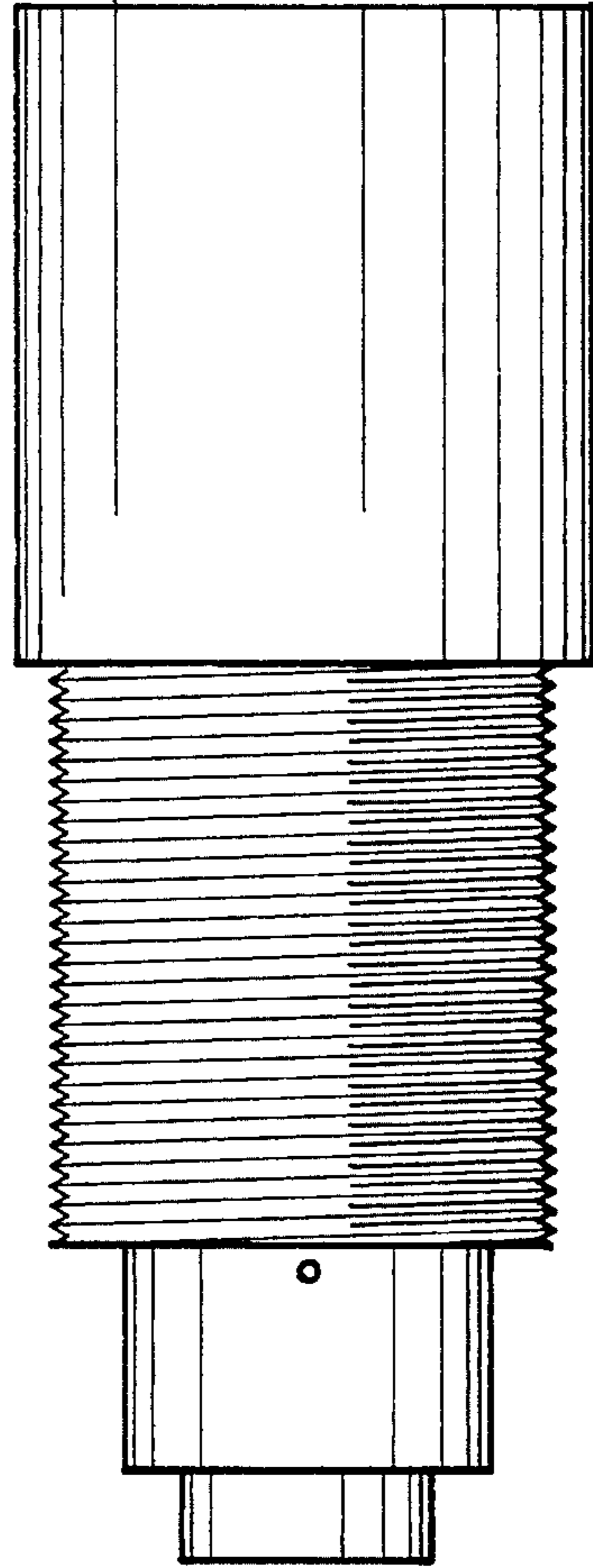


FIG. 4

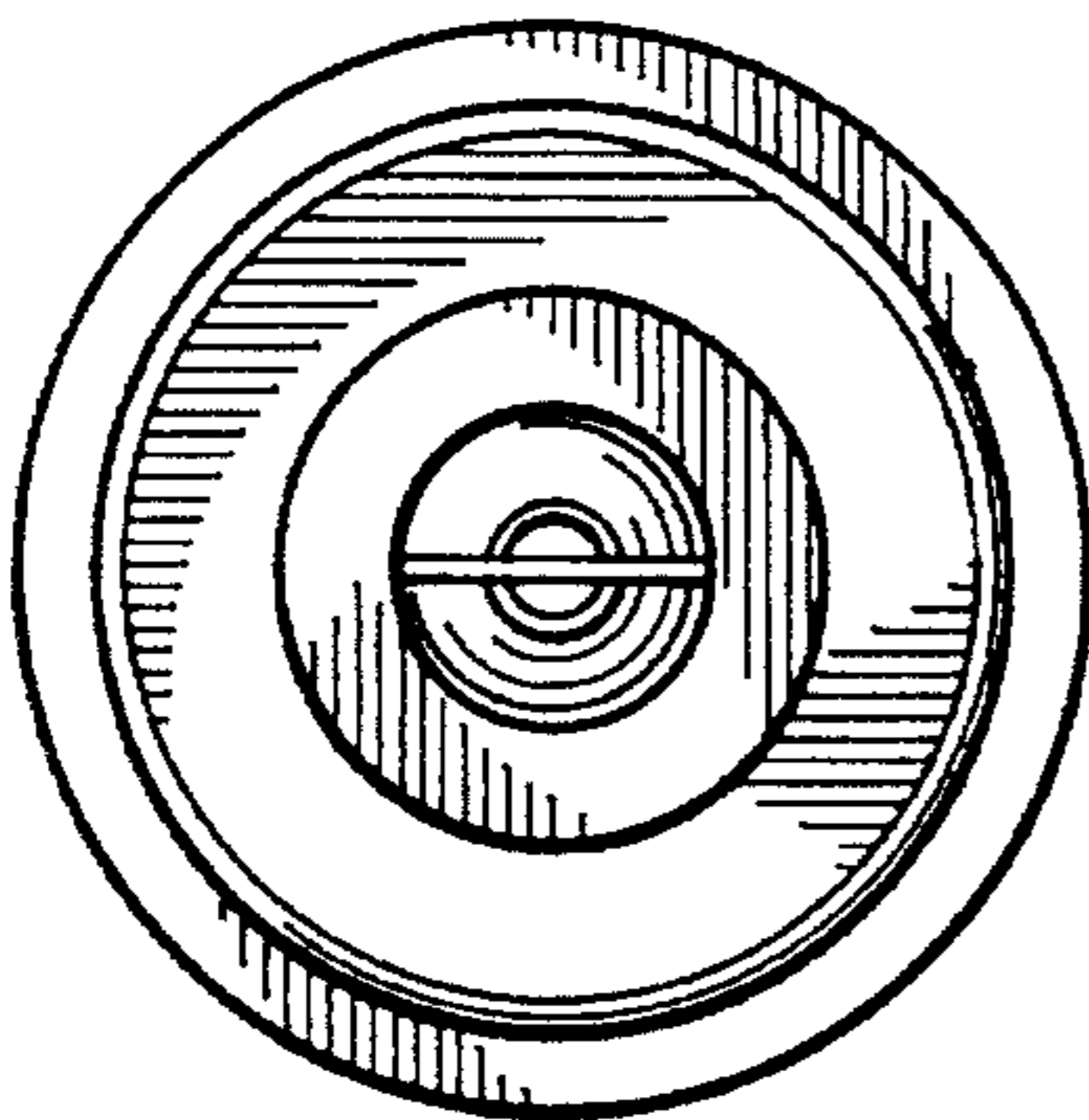


FIG. 5

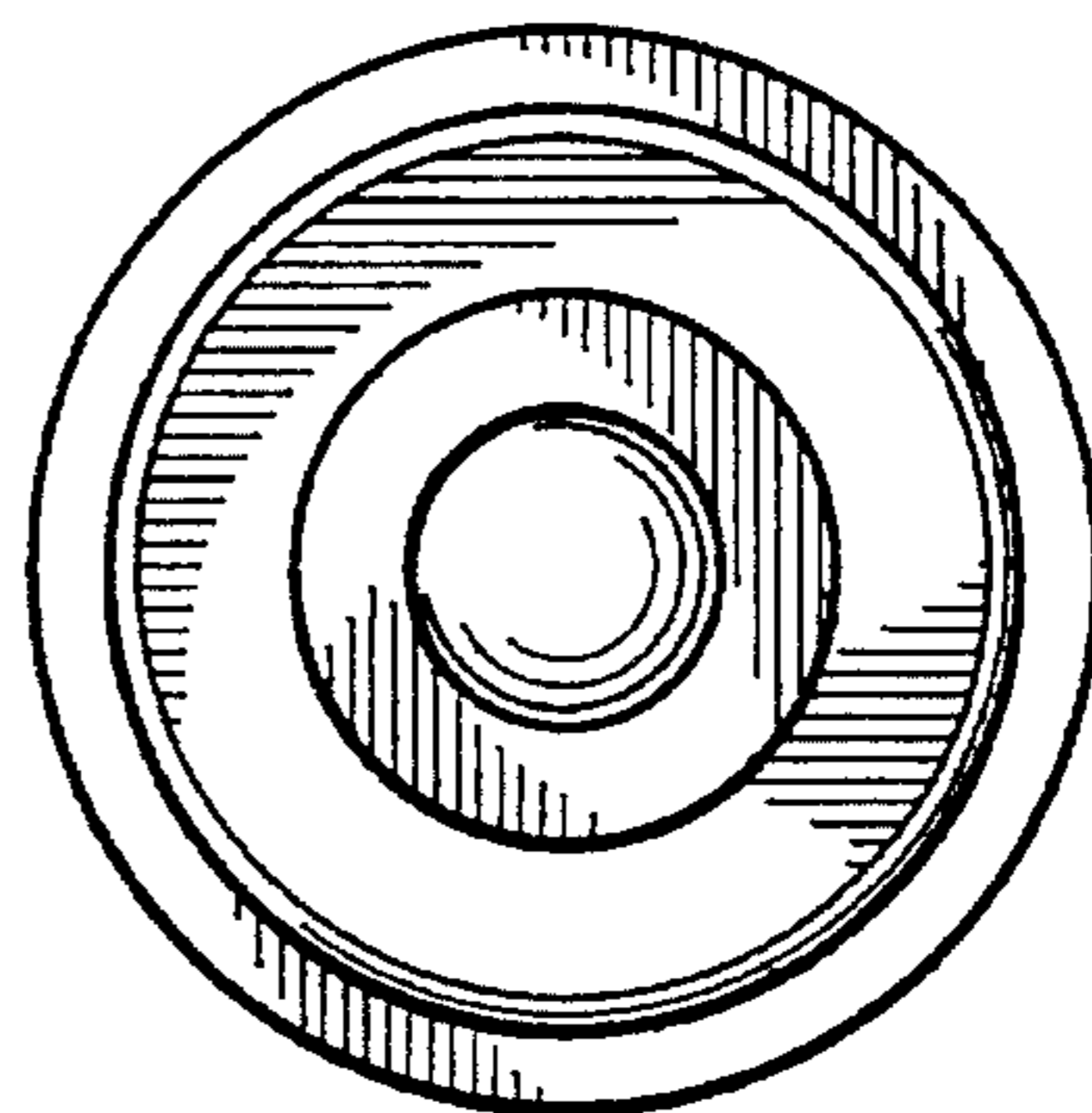


FIG. 6

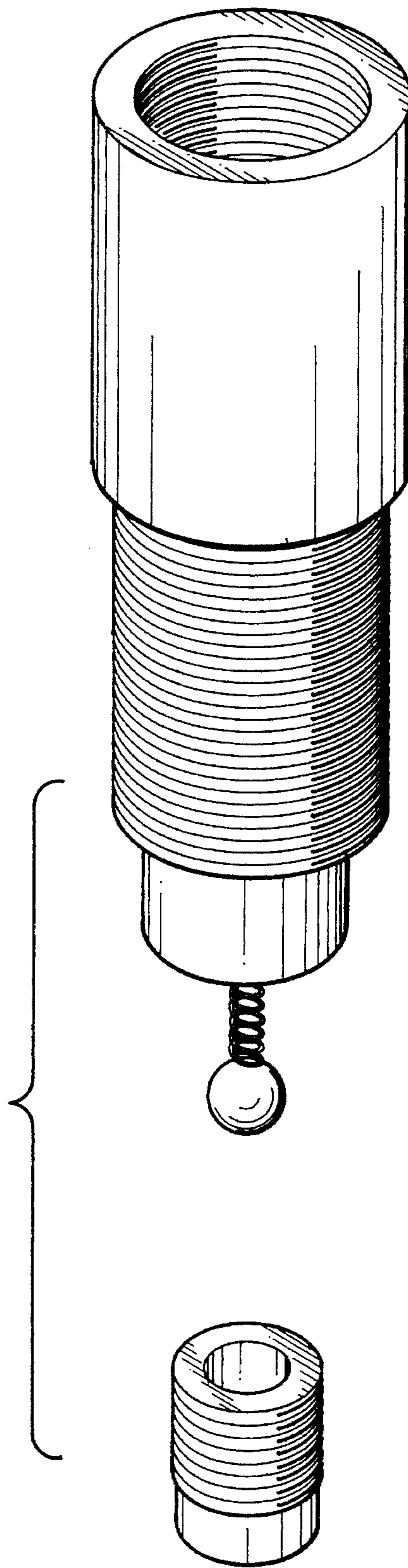


FIG. 7