



US00D367914S

United States Patent [19]
Dubriske

[11] **Patent Number: Des. 367,914**
[45] **Date of Patent: **Mar. 12, 1996**

[54] **WATER POWERED JIGGER AND FISH DECOY**
[75] Inventor: **Paul C. Dubriske, Keene, N.H.**
[73] Assignee: **Strike Line, Inc., Keene, N.H.**
[**] Term: **14 Years**
[21] Appl. No.: **28,523**
[22] Filed: **Sep. 16, 1994**

3,791,064 2/1974 Van Iseghem, Jr. 43/26.2
3,863,379 2/1975 Kobayashi 43/19.2 X
4,204,356 5/1980 Smith 43/26.1
4,509,287 4/1985 Hood 43/19.2
4,653,219 3/1987 Kaupert 43/43.1
4,733,628 3/1988 Baughman 114/311
4,766,837 8/1988 Parish 114/311
4,798,021 1/1989 Miklos 43/19.2
4,903,428 2/1990 Sluiter et al. 43/26.1
5,185,950 2/1993 Hood 43/19.2
5,394,817 3/1995 Kaufman 114/311
5,428,916 7/1995 Dubriske 43/19.2

Related U.S. Application Data

[63] Continuation-in-part of Ser. No. 123,753, Sep. 17, 1993, Pat. No. 5,428,916.
[52] **U.S. Cl.** **D22/134; D22/126; D22/133**
[58] **Field of Search** **D22/126-134;**
43/42.7, 42.12, 42.11, 19.2, 26.2, 26.1,
43.13, 27.4, 43.11, 42.35, 42.45, 43.1; 114/311

Primary Examiner—Doris V. Coles
Attorney, Agent, or Firm—Wheat, Camoriano, Smith & Beres

[57] **CLAIM**

The ornamental design for a water powered jigger and fish decoy, as shown and described.

DESCRIPTION

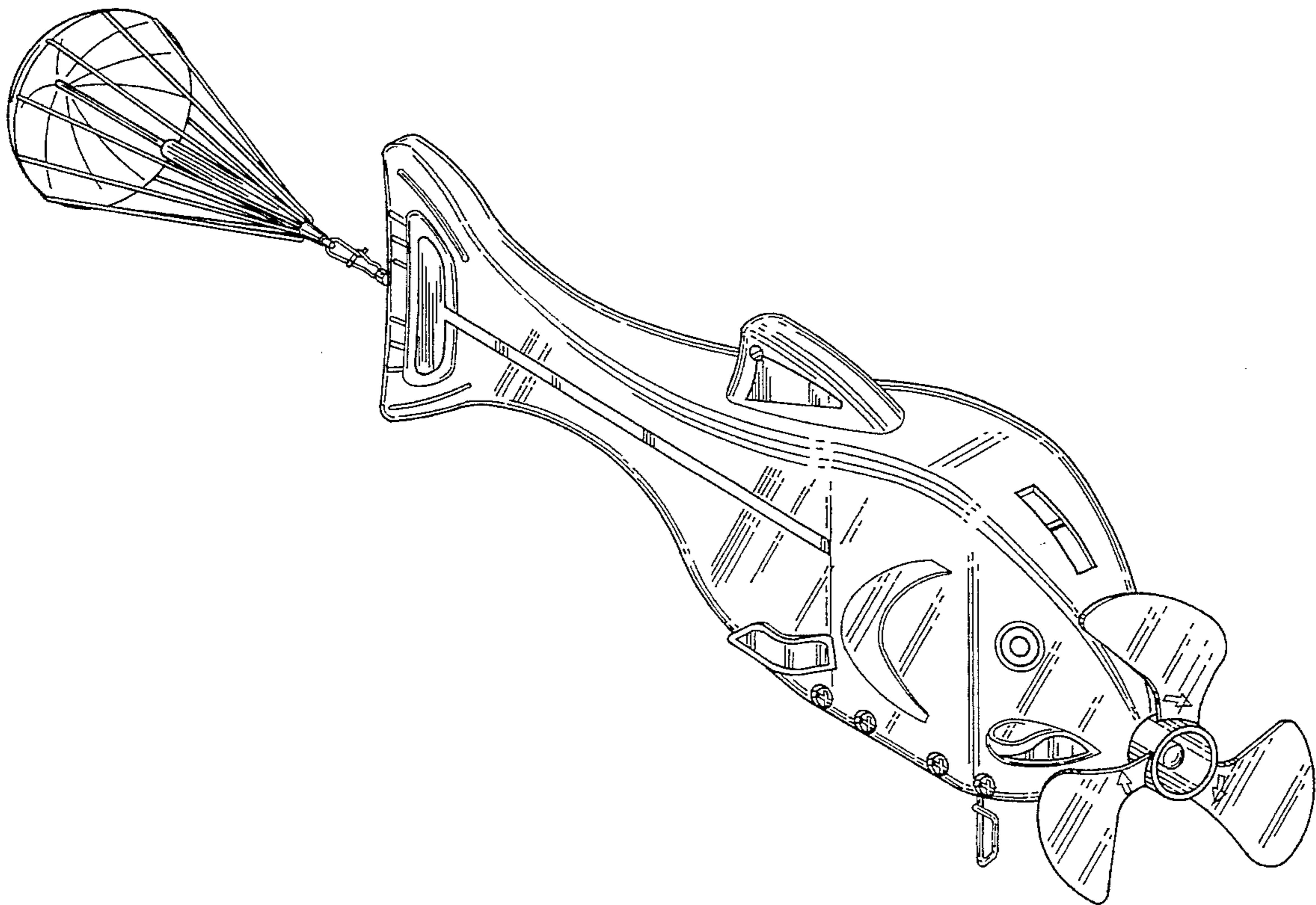
FIG. 1 is a front perspective view of a water powered jigger and fish decoy showing my new design;
FIG. 2 is a right side elevational view thereof;
FIG. 3 is a left side elevational view thereof;
FIG. 4 is a top plan view thereof;
FIG. 5 is a bottom plan view thereof;
FIG. 6 is a front elevational view thereof; and,
FIG. 7 is a rear elevational view thereof.

[56] **References Cited**

U.S. PATENT DOCUMENTS

D. 234,762 4/1975 Price D22/131
1,740,521 12/1929 Nelson 43/26.2
2,574,702 11/1951 Moulton 43/42.12
2,691,235 10/1954 Pcola 43/26.2
2,737,748 3/1956 Krozaleski 43/26.2
2,789,386 4/1957 Creelman 43/43.03
2,813,365 11/1957 Cross 43/26.2

1 Claim, 4 Drawing Sheets



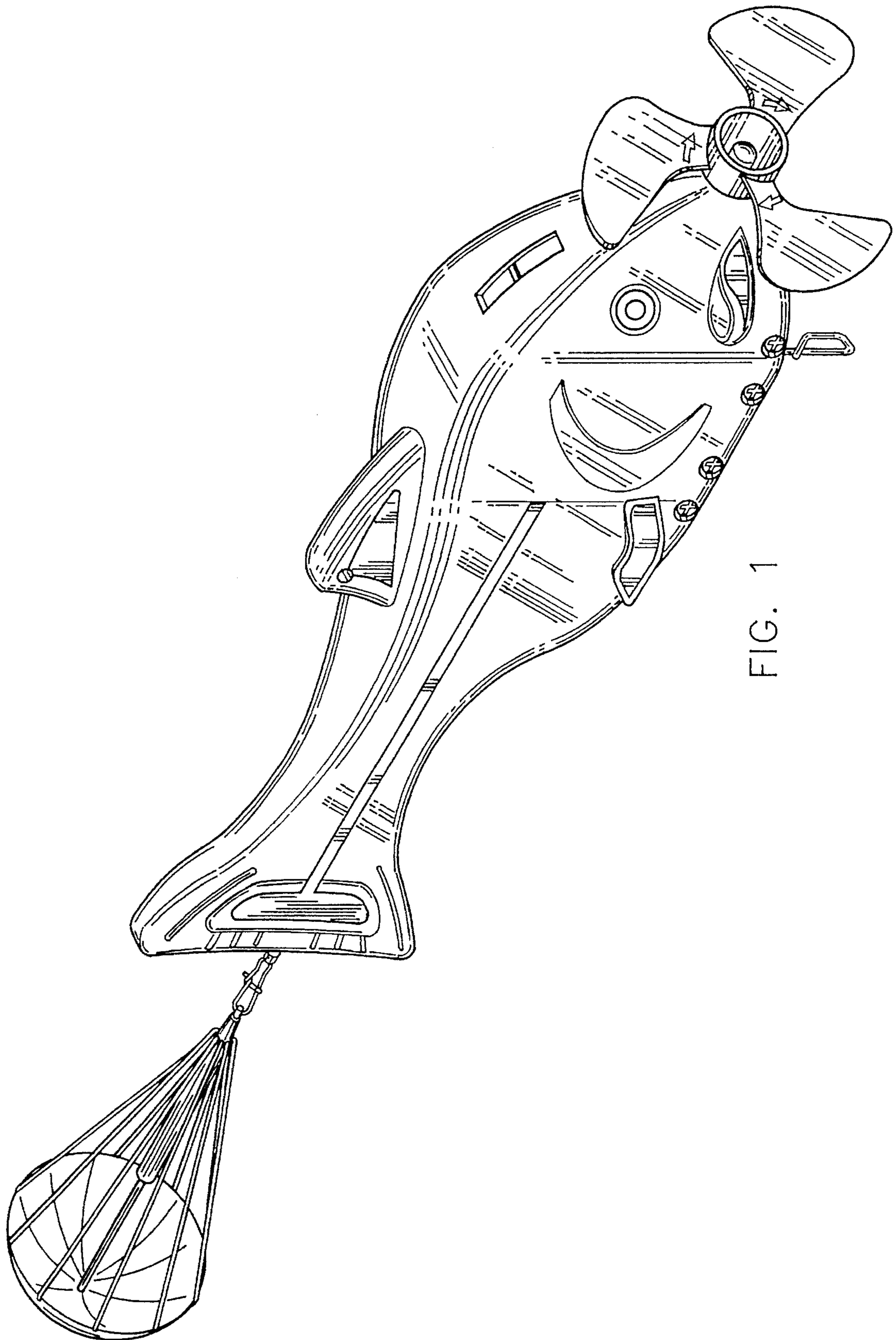


FIG. 1

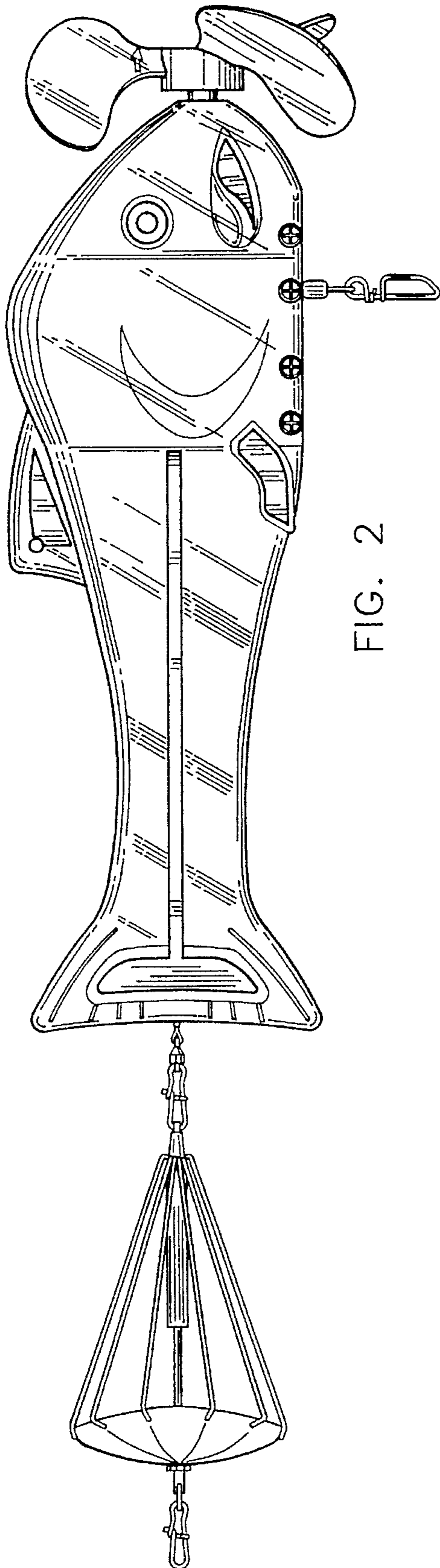


FIG. 2

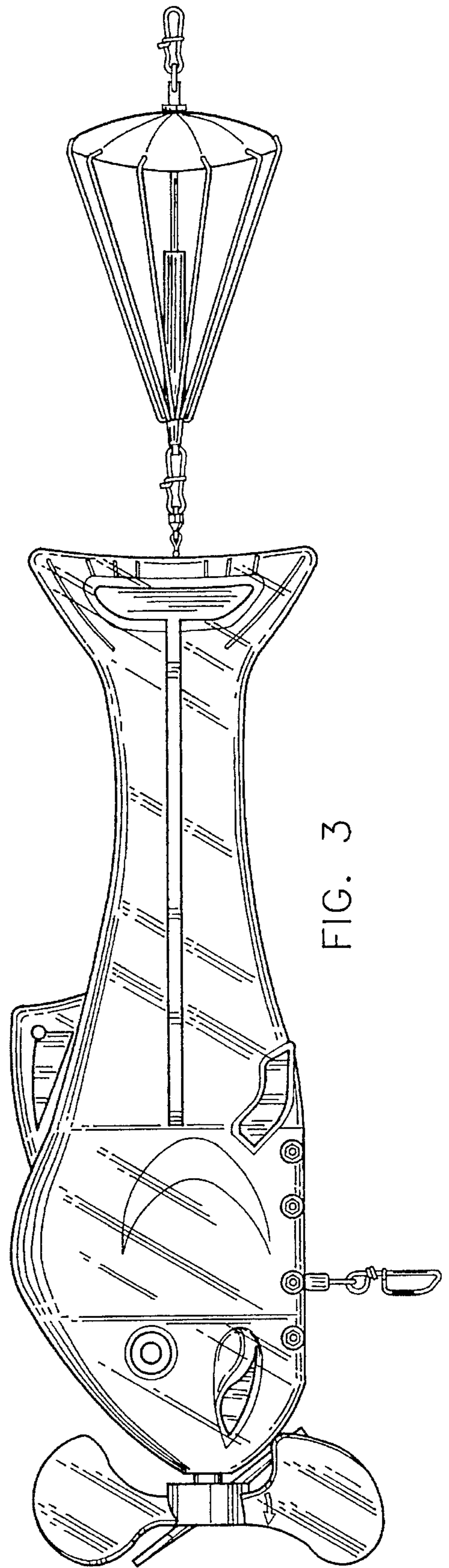
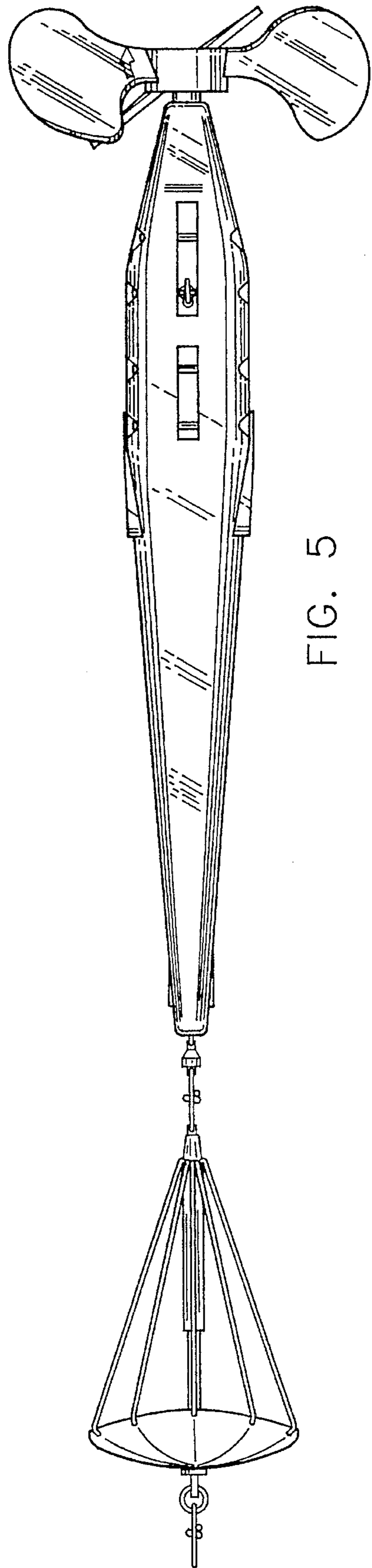
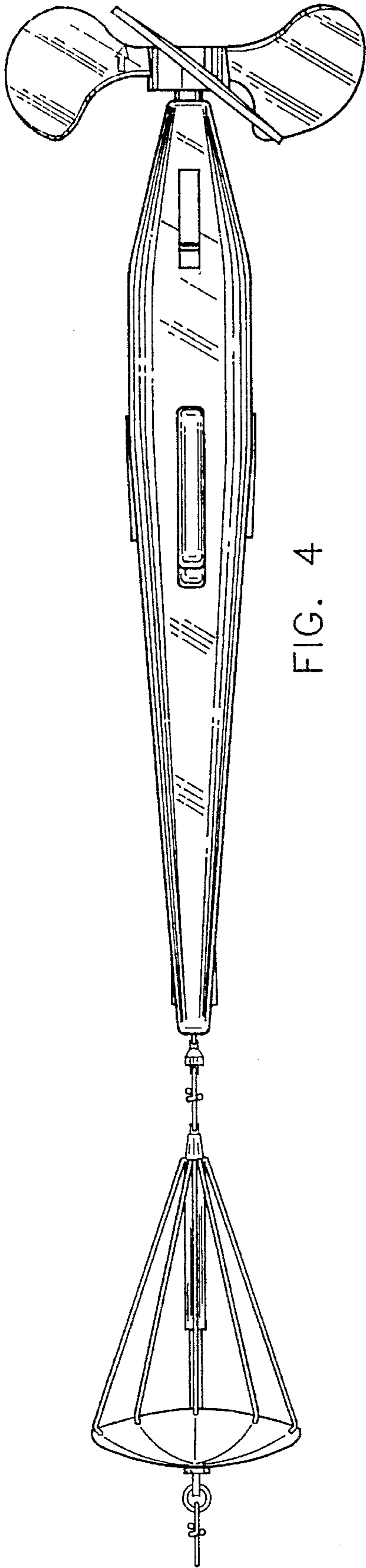


FIG. 3



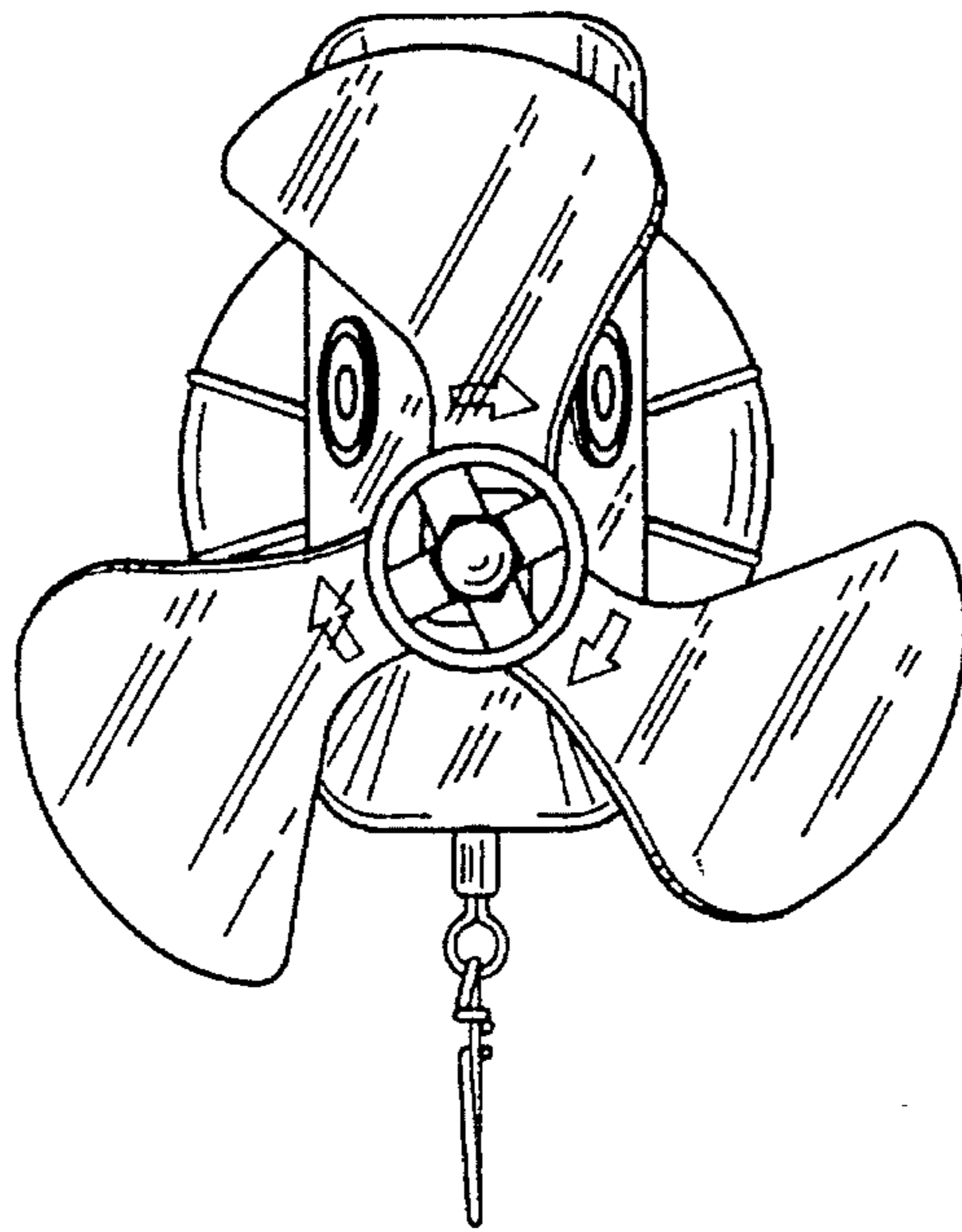


FIG. 6

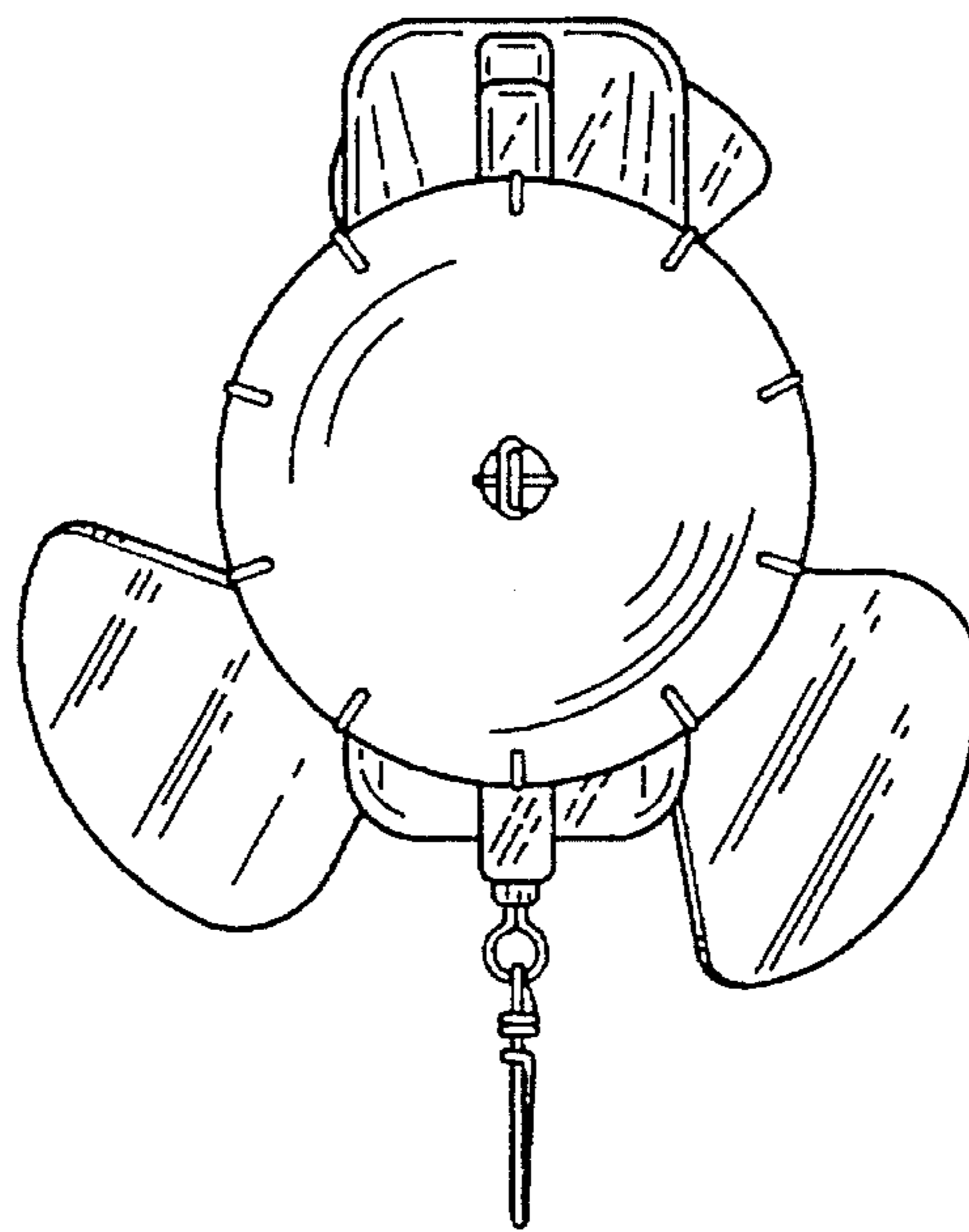


FIG. 7