



US00D367911S

United States Patent [19]

[11] Patent Number: Des. 367,911

van Huystee

[45] Date of Patent: **Mar. 12, 1996

[54] ACTIVITY PLAY GYM

[75] Inventor: Maarten van Huystee, East Aurora, N.Y.

[73] Assignee: Fisher-Price, Inc., East Aurora, N.Y.

[**] Term: 14 Years

[21] Appl. No.: 27,331

[22] Filed: Aug. 19, 1994

[52] U.S. Cl. D21/244

[58] Field of Search D21/240-245,
D21/114, 109; 472/116, 117; 482/35-37;
446/476, 487

[56] References Cited

U.S. PATENT DOCUMENTS

D. 249,403	9/1978	Lamb	D21/244	X
D. 281,985	12/1985	Spirk, Jr. et al.	D21/244	X
D. 303,826	10/1989	Aker	.		
D. 330,743	11/1992	Mercer	.		
D. 334,610	4/1993	Aker	.		
D. 340,098	10/1993	Petersheim	.		
D. 340,099	10/1993	Warren et al.	.		
D. 343,438	1/1994	Fish, Jr.	.		
D. 344,773	3/1994	Aker et al.	.		
D. 355,693	2/1995	Aker et al.	D21/244	
3,485,494	12/1969	Lieberman	.		
4,369,965	1/1983	Ahrens	.		

OTHER PUBLICATIONS

Today's Kids Wish Book, 1994, "Play'N Fold Clubhouse", p. 3.
 Little Tikes: Toys That Last, 1994, "Turtle Sandbox", p. 51.
 Little Tikes: Toys That Last, 1994, "Dinosaur Sandbox", p. 51.
 Little Tikes: Toys That Last, 1994, "Castle", p. 56.

Little Tikes: Toys That Last, 1994, "Tike Treehouse", p. 58.
 Step Two: A Step Beyond, 1994, "First Climber", p. 4.
 Step Two: A Step Beyond, 1994, "Combo Climber", p. 5.
 Step Two: A Step Beyond, 1994, "Crabbie Sandbox", p. 26.
 Step Two: A Step Beyond, 1994, "Tuggy Sandbox and Splasher", p. 27.
 Step Two: A Step Beyond, 1994, "Mushroom Climber", p. 28.
 Step Two: A Step Beyond, 1994, "Big Climber", p. 29.
 Flexible Flyer: "Castle Sandbox", p. 3.
 Flexible Flyer: "Playslide", p. 3.
 Flexible Flyer: "Playtime Choo-Choo", p. 3.
 Toys to Grow On, Summer Preview 1994, "Indoor/Outdoor Activity House", p. 5.

Primary Examiner—Ted Shooman
 Assistant Examiner—Mitchell I. Siegel
 Attorney, Agent, or Firm—Howrey & Simon; C. Scott Talbot; Jennifer M. Hall

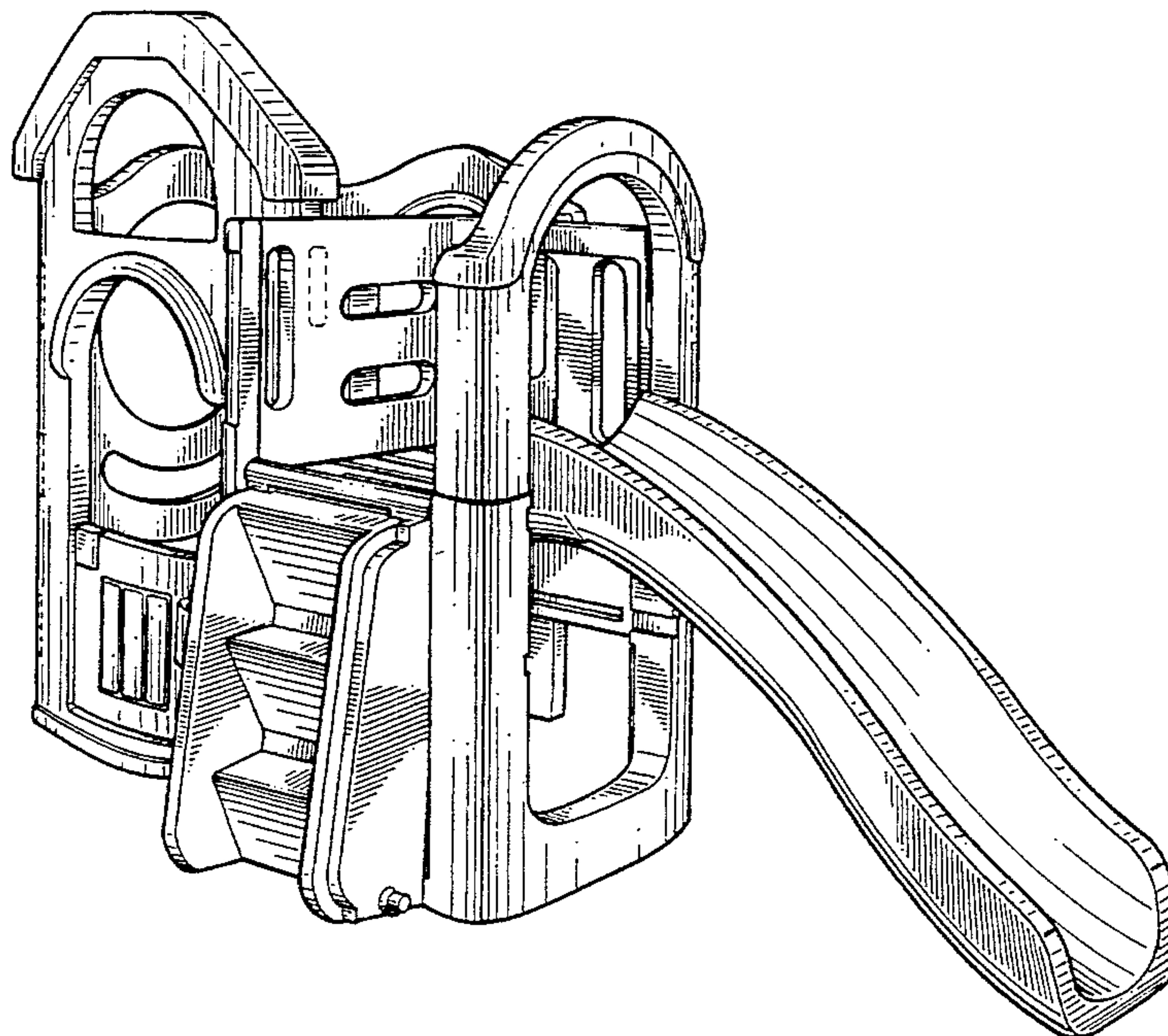
[57] CLAIM

The ornamental design for the activity play gym, as shown and described.

DESCRIPTION

FIG. 1 is a front elevational view of an activity play gym showing my new design;
 FIG. 2 is a rear elevational view thereof;
 FIG. 3 is a top plan view thereof;
 FIG. 4 is a bottom plan view thereof;
 FIG. 5 is a right side elevational view thereof;
 FIG. 6 is a left side elevational view thereof; and,
 FIG. 7 is a top perspective view thereof.
 The broken line showing of cutouts for interconnecting panels is for illustrative purposes only and forms no part of the claimed design.

1 Claim, 7 Drawing Sheets



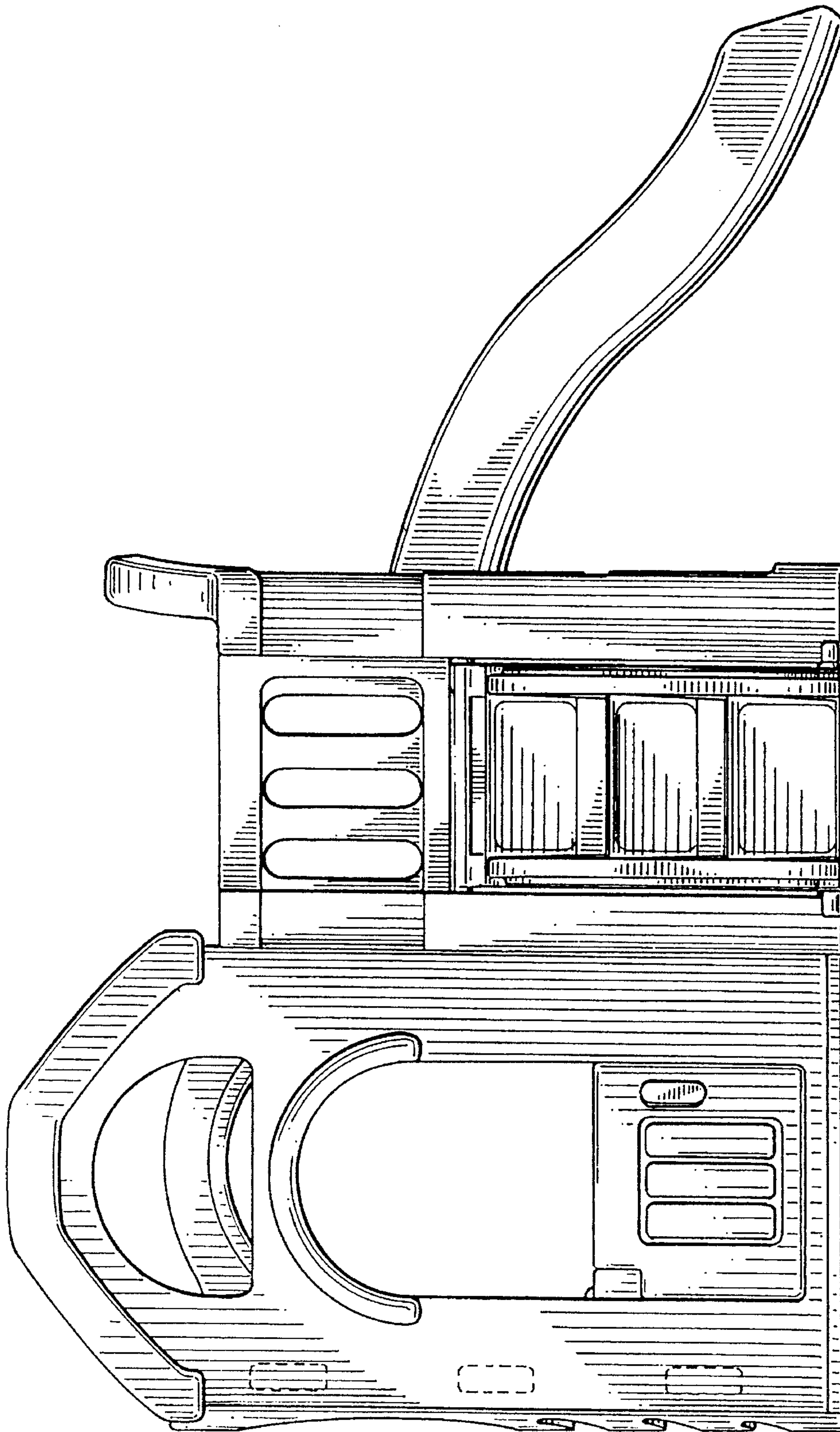


FIG. 1

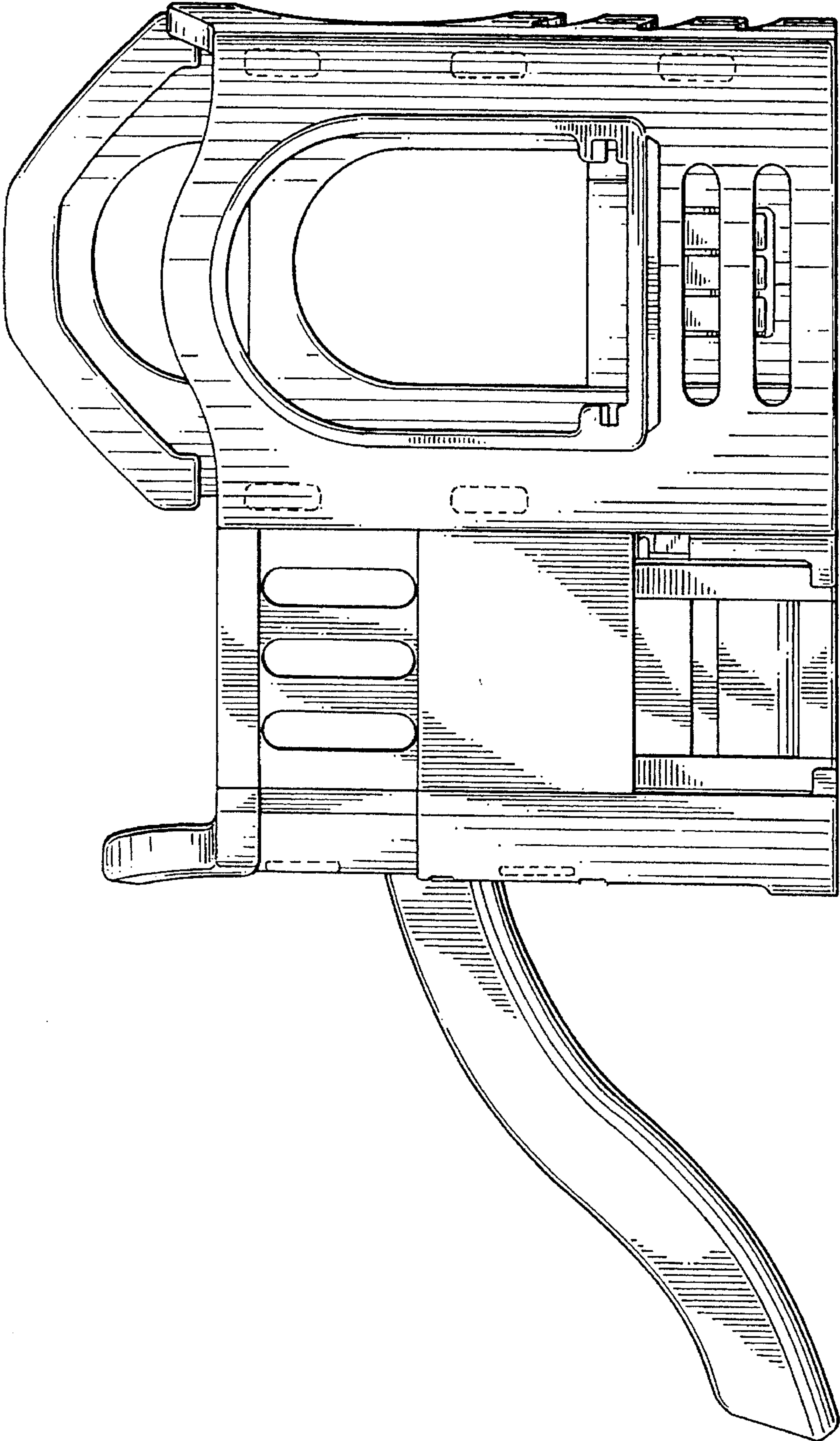


FIG. 2

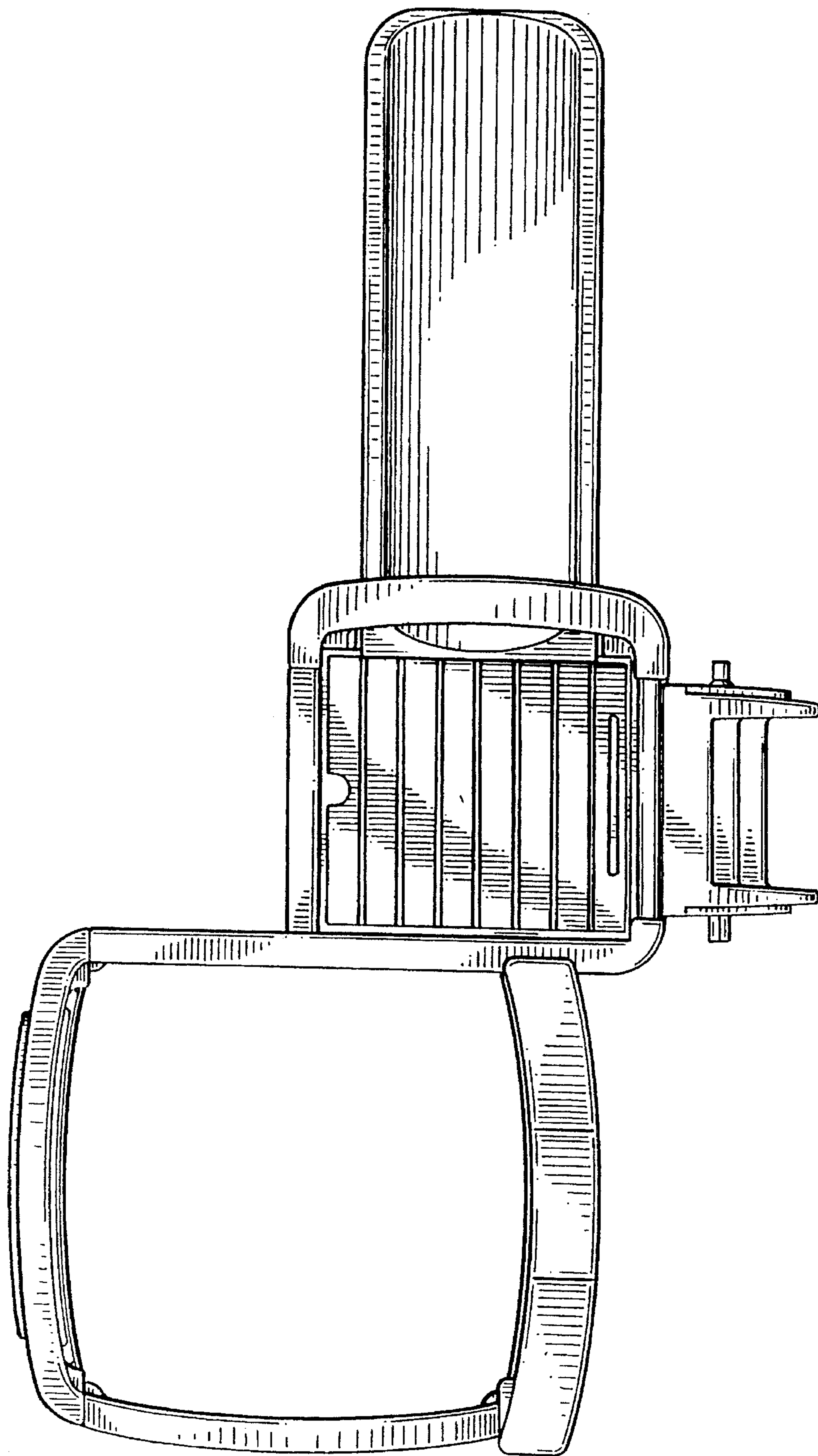


FIG. 3

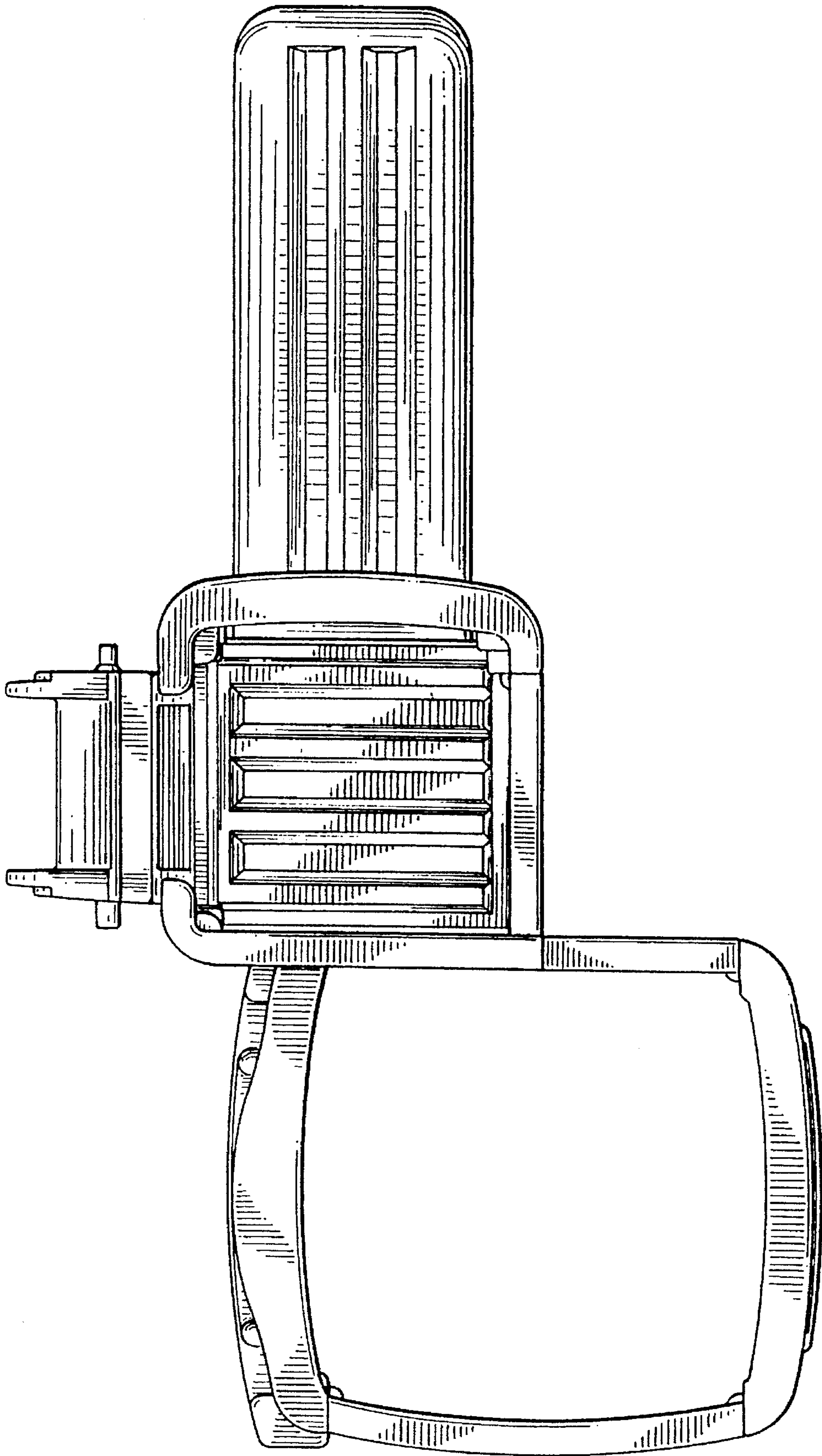


FIG. 4

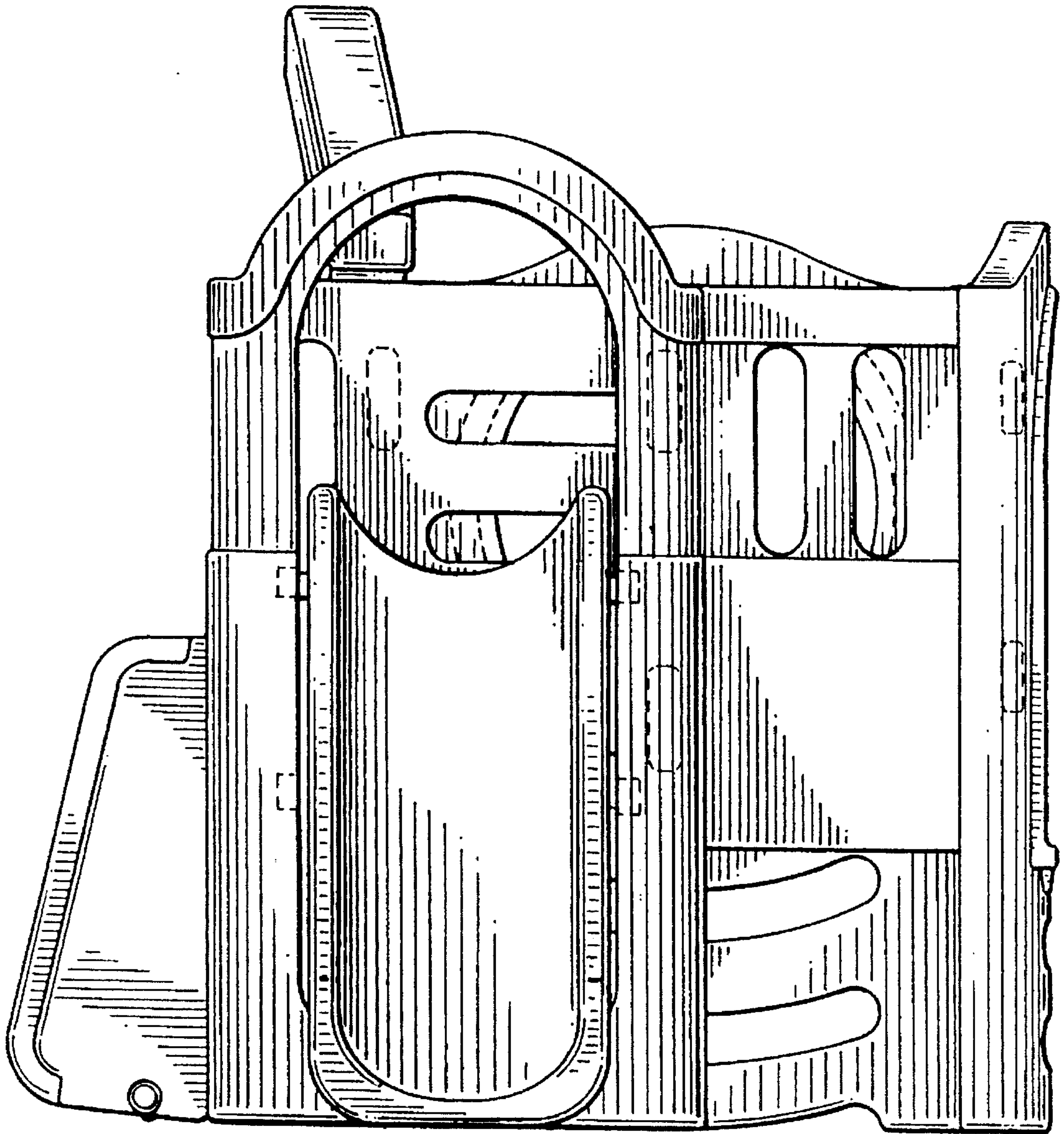


FIG. 5

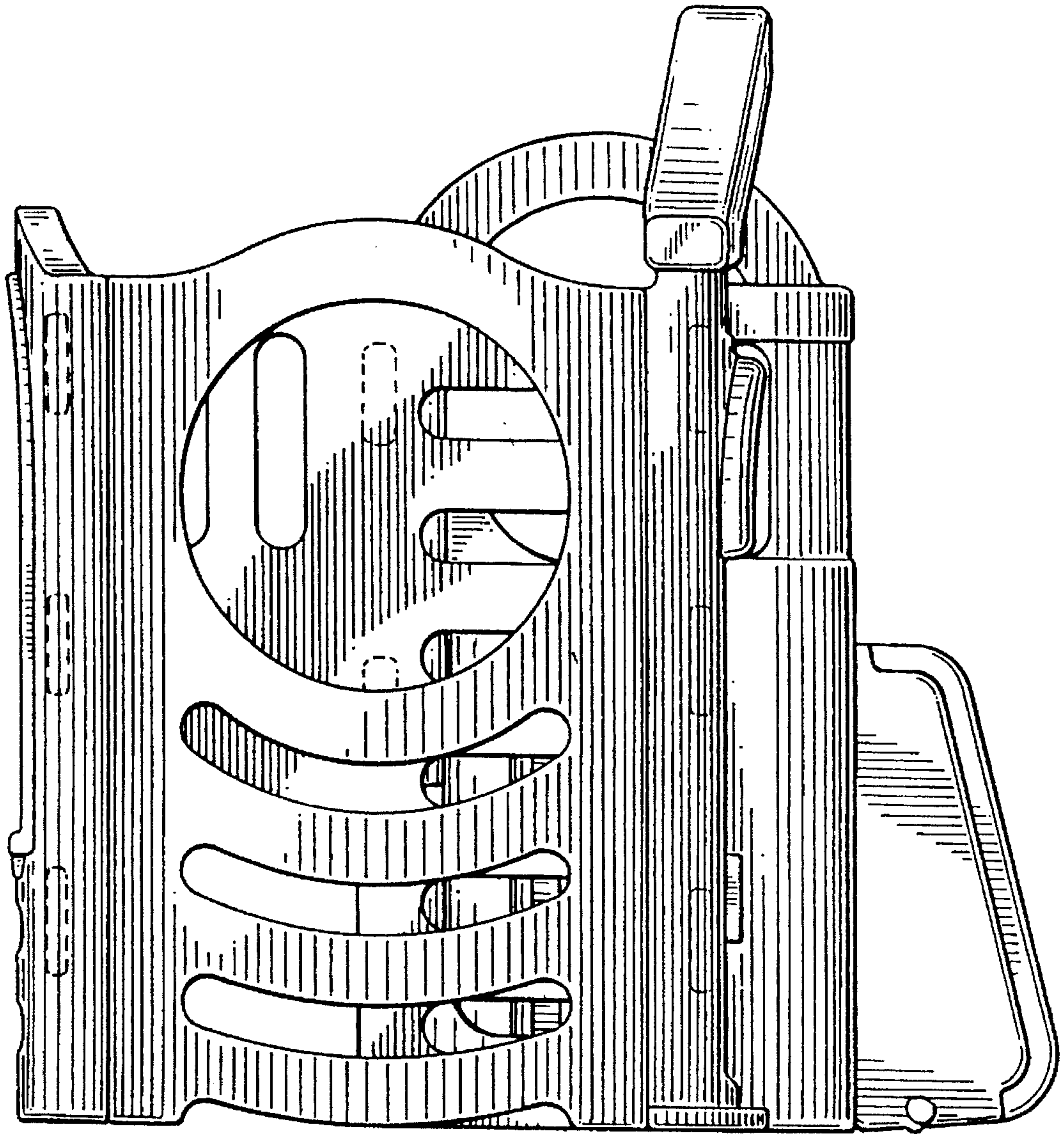


FIG. 6

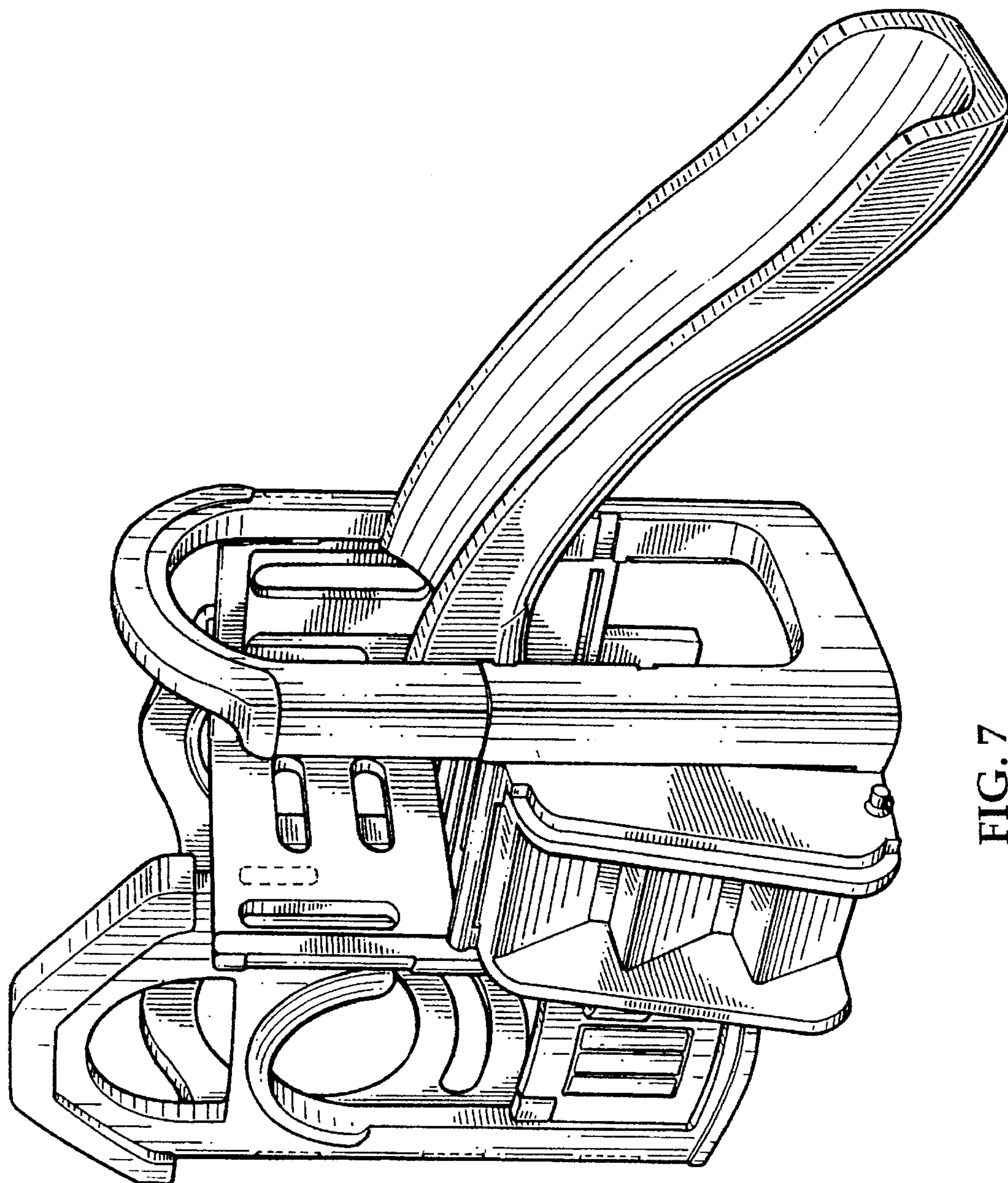


FIG. 7