



US00D367909S

United States Patent [19]

[11] Patent Number: **Des. 367,909**

Lee

[45] Date of Patent: ****Mar. 12, 1996**

[54] **GOLF PUTTING PRACTICE AID FOR USE ON A GOLF PUTTER**

D. 353,177	12/1994	Haugland	D21/221
3,021,141	2/1962	Polsky et al.	273/186.2
4,025,078	5/1977	Pelz	273/194 B X
4,130,282	12/1978	Pelz	273/186.2

[76] Inventor: **Do W. Lee**, 1808 Daeyeon-Dong, Daeyeonsamikbeach Apt. 105-1103, Nam-ku, Pusan, Rep. of Korea

Primary Examiner—Ted Shooman
Assistant Examiner—Cheri Cohen
Attorney, Agent, or Firm—Birch, Stewart, Kolasch & Birch

[**] Term: **14 Years**

[57] CLAIM

[21] Appl. No.: **32,277**

The ornamental design for a golf putting practice aid for use on a golf putter, as shown and described.

[22] Filed: **Dec. 9, 1994**

Related U.S. Application Data

DESCRIPTION

[63] Continuation of Ser. No. 354,851, Dec. 9, 1994.

FIG. 1 is a reduced perspective view of a golf putting practice aid for use on a golf putter showing my new design; FIG. 2 is a rear perspective view thereof; FIG. 3 is a right side elevation view thereof, the opposite side being a mirror image; FIG. 4 is a bottom plan view thereof; FIG. 5 is a top plan view thereof; and, FIG. 6 is a perspective view of a second alternate embodiment, the only difference residing in the removal of the structure on the top portion.

[52] U.S. Cl. **D21/234**

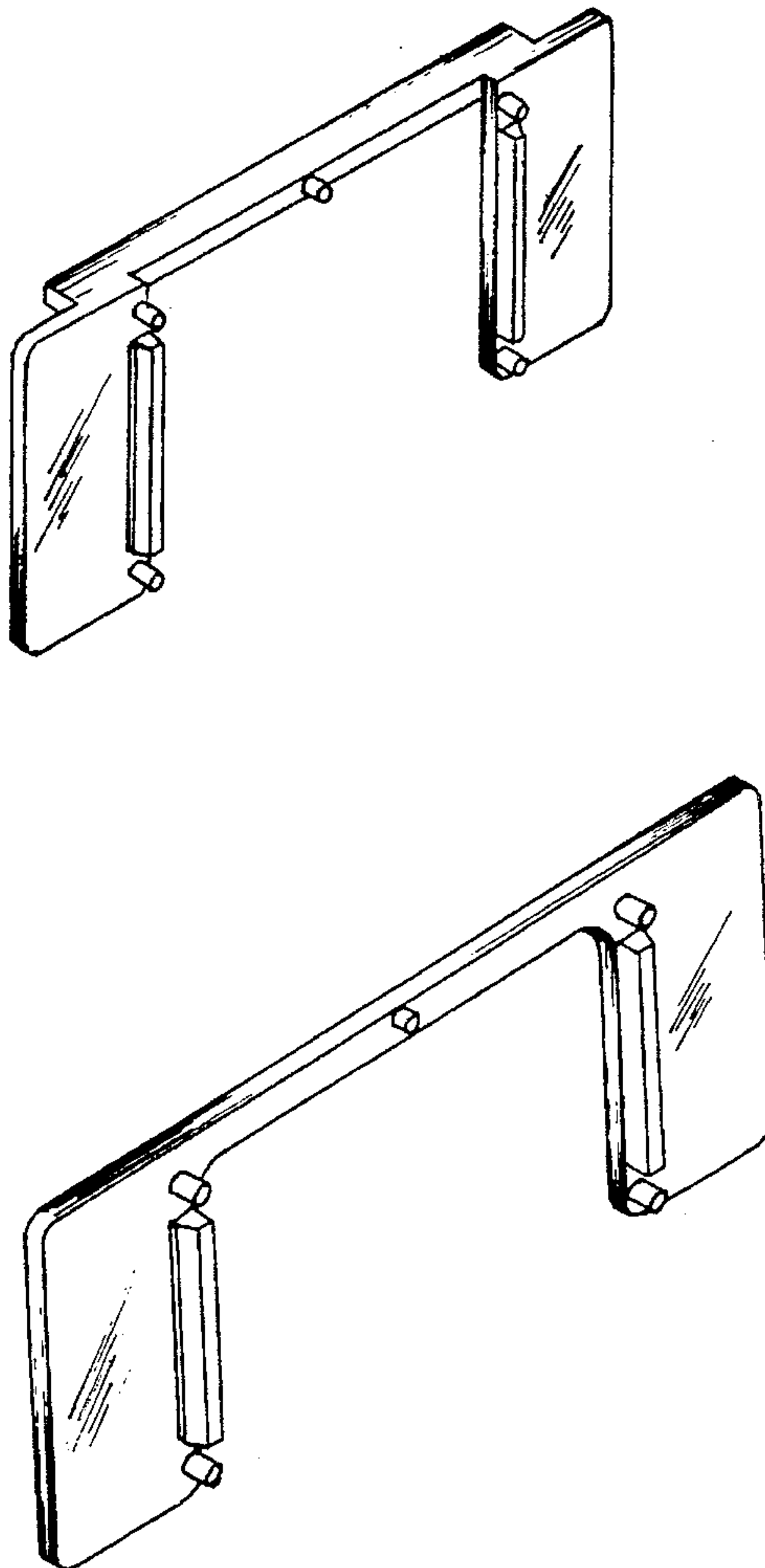
[58] Field of Search D21/234, 221, D21/219; 273/194 B, 194 A, 194 R, 187.4, 187.6, 191 R, 192, 183.1, 163 A, 163 R, 167-175, 186.1, 186.2, 164.1, 193 R

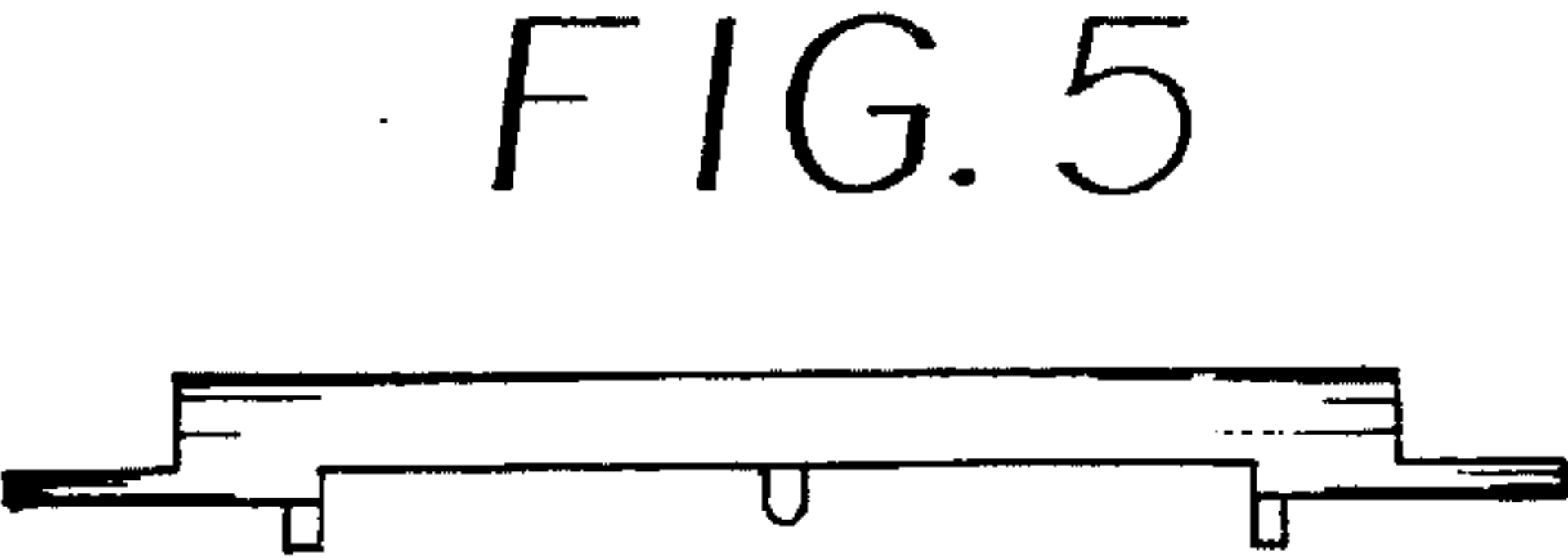
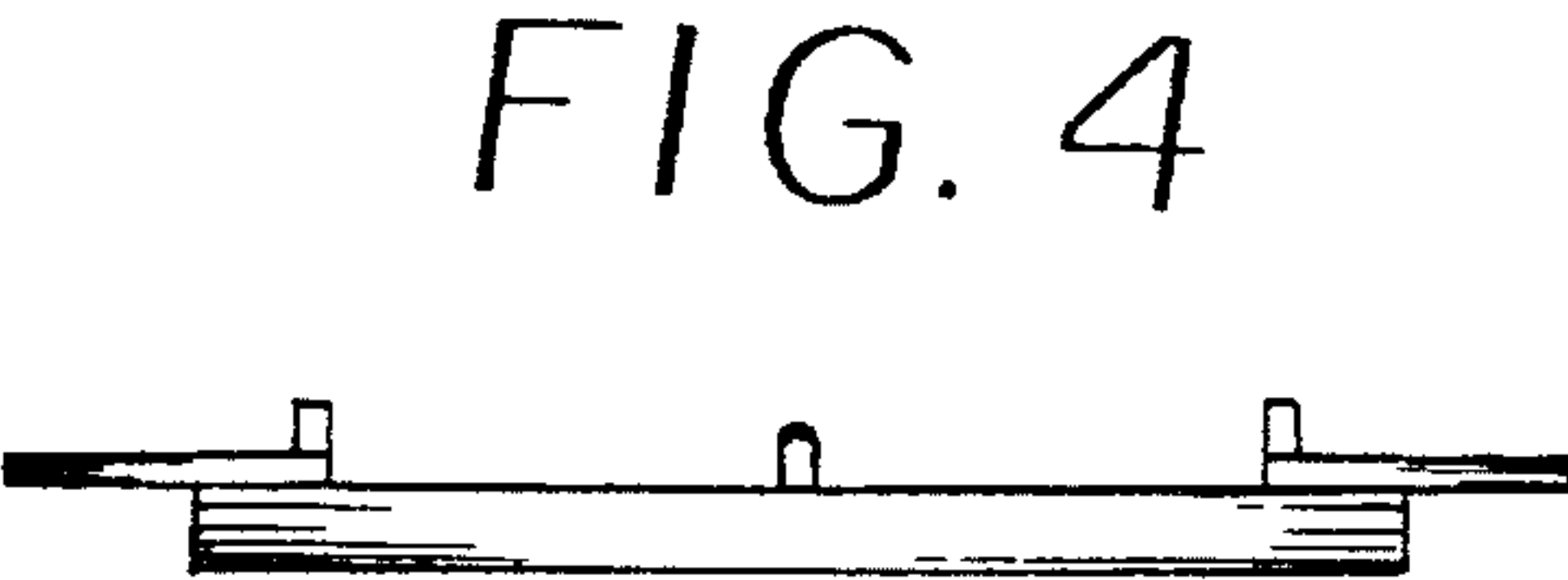
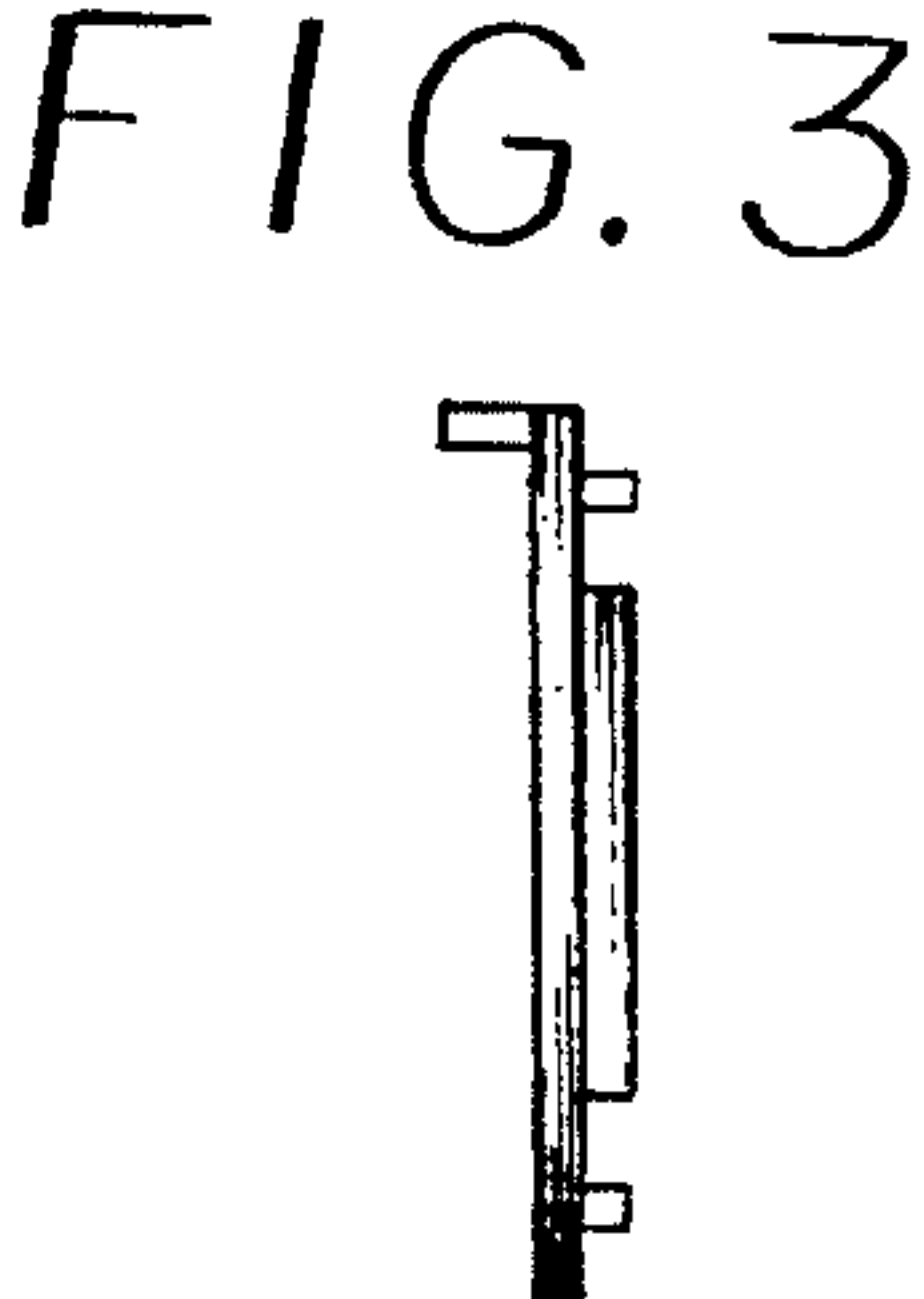
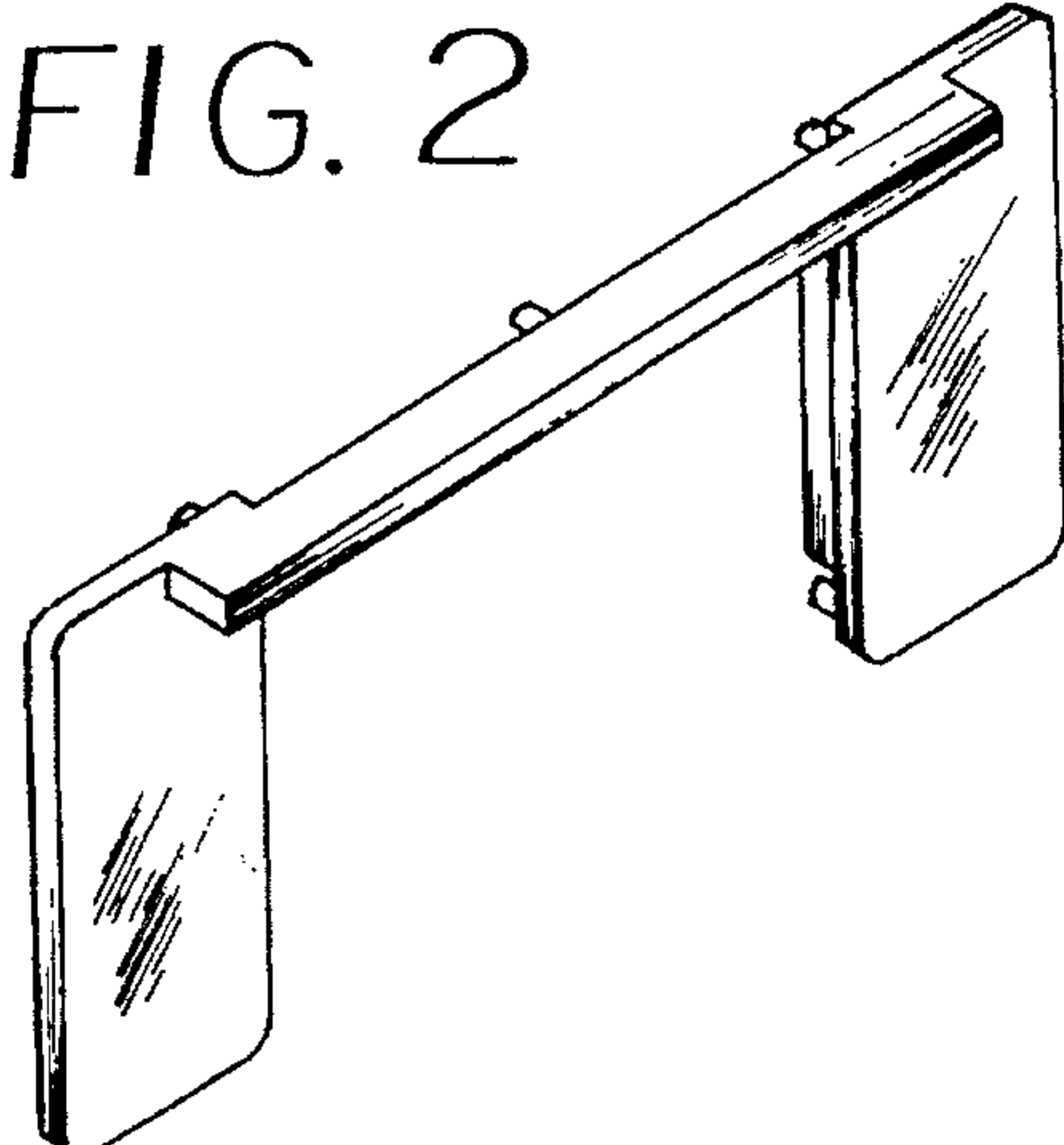
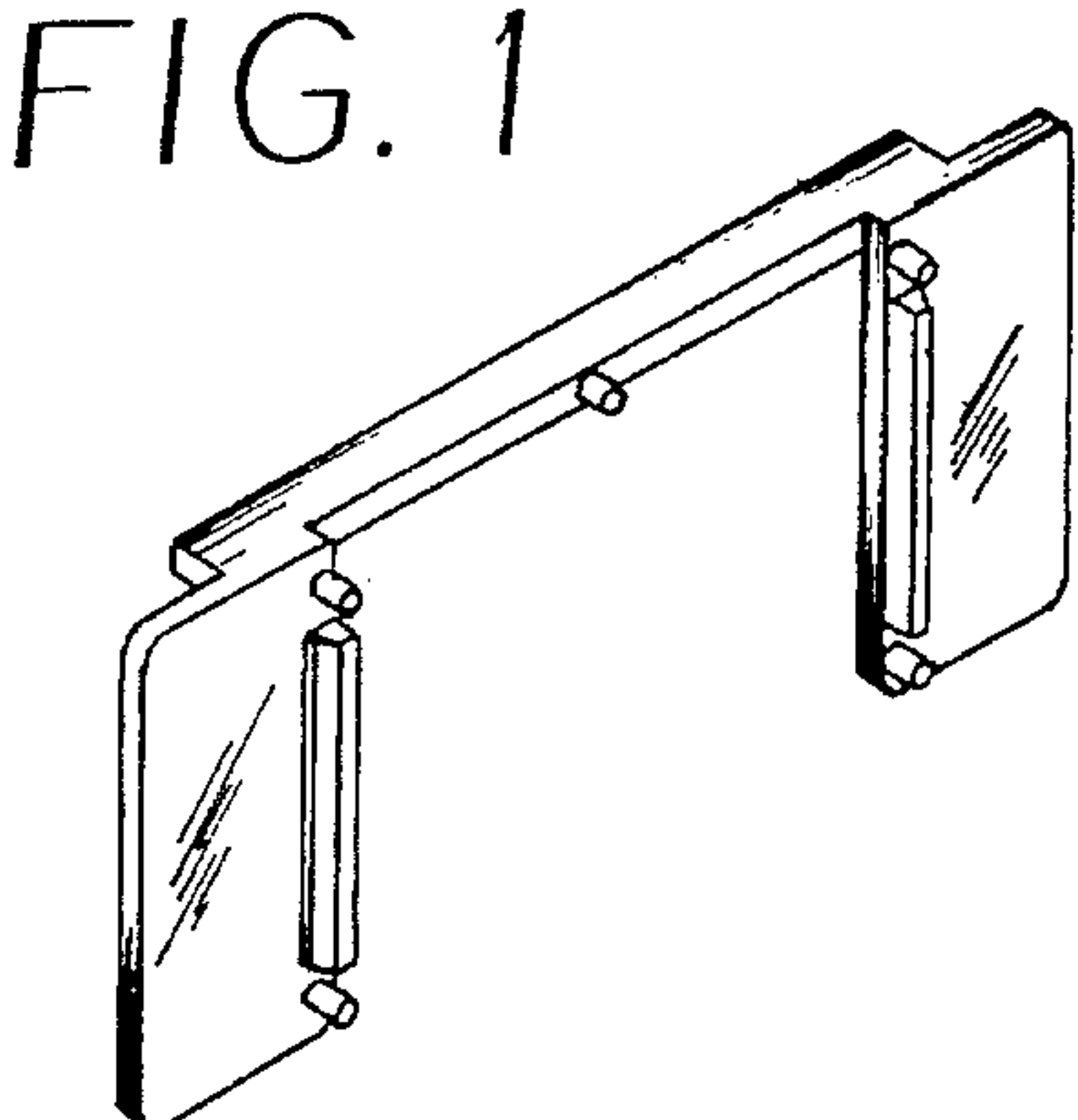
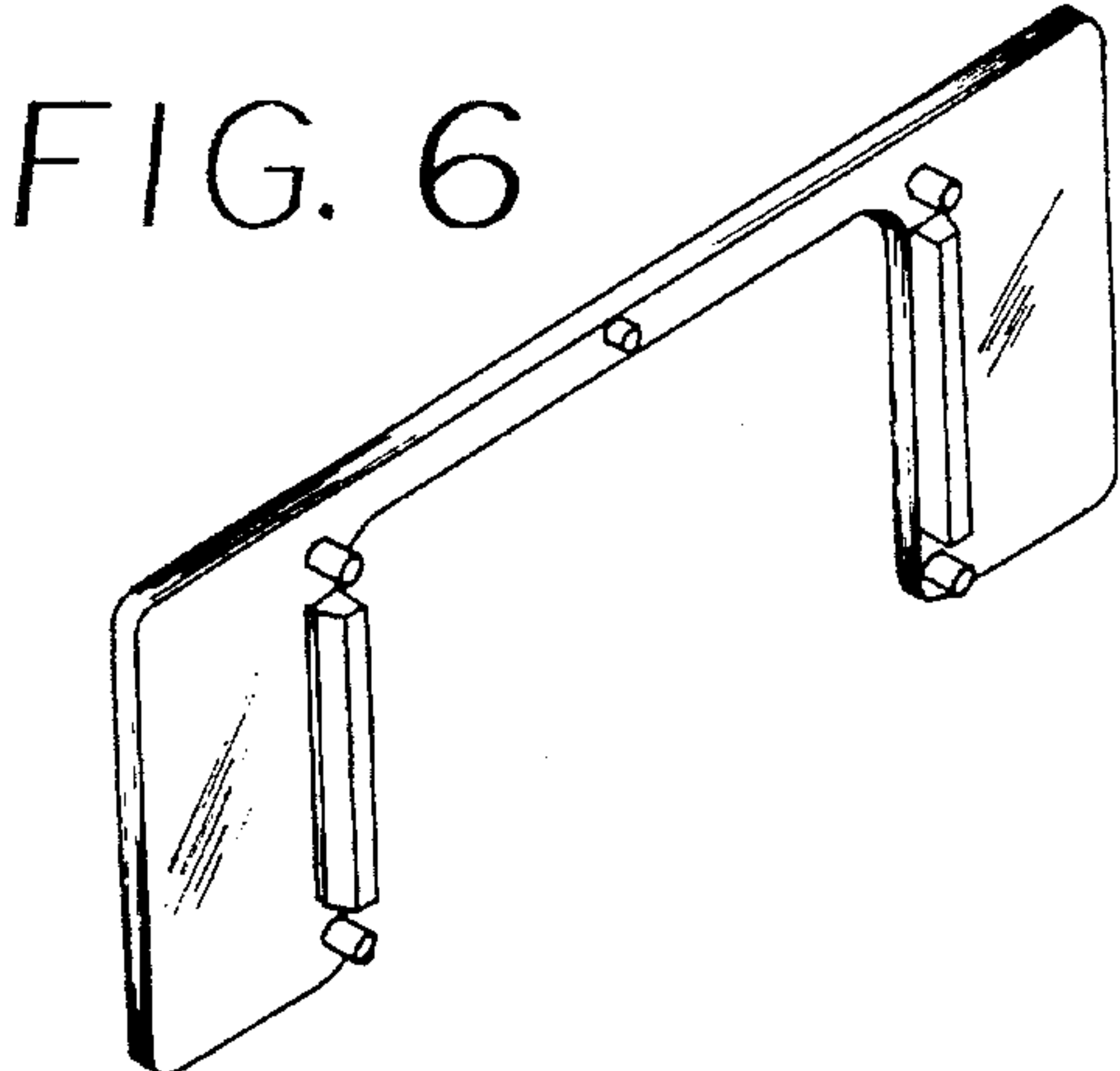
[56] References Cited

U.S. PATENT DOCUMENTS

D. 256,710 9/1980 Dusto D21/221

1 Claim, 1 Drawing Sheet





**UNITED STATES PATENT AND TRADEMARK OFFICE
CERTIFICATE OF CORRECTION**

PATENT NO. : Des. 367,909

DATED : March 12, 1996

INVENTOR(S) : Lee

It is certified that error appears in the above-identified patent and that said Letters Patent is hereby corrected as shown below:

On the Title Page, item [63], delete "Continuation of Ser. No. 354,851, Dec. 9, 1994."

Signed and Sealed this
Tenth Day of September, 1996



BRUCE LEHMAN

Attest:

Attesting Officer

Commissioner of Patents and Trademarks