



US00D367907S

# United States Patent [19]

Sandstrom et al.

[11] Patent Number: **Des. 367,907**

[45] Date of Patent: **\*\*Mar. 12, 1996**

[54] **TEE MARKER**

[76] Inventors: **Lloyd I. Sandstrom**, 1692 W. Paiute Rd., Bloomington, Utah 84770; **Todd L. Sandstrom**, 80 N. Main, North Salt Lake, Utah 84054; **Robert I. Sandberg**, 628 Sir Michael Dr., Salt Lake City, Utah 84116

[\*\*] Term: **14 Years**

[21] Appl. No.: **29,600**

[22] Filed: **Oct. 11, 1994**

[52] U.S. Cl. .... **D21/234**

[58] Field of Search ..... D21/208, 234, D21/204; 273/33, 32.5, 32 A, 32 B, 35 R, 195 A, 195 R, 201-212; 248/545; 434/252

[56] **References Cited**

**U.S. PATENT DOCUMENTS**

D. 286,942 12/1986 Saladino et al. .... D21/204 X

D. 288,258 2/1987 Oden ..... D21/208 X  
D. 306,632 3/1990 Gouin ..... D21/234  
D. 312,292 11/1990 Retacco et al. .... D21/234  
D. 319,170 8/1991 Franke ..... D21/208 X  
1,625,911 4/1927 Richards ..... D21/208 X  
1,959,347 5/1934 Czichos ..... D21/234 X

*Primary Examiner*—Prabhakar G. Deshmukh  
*Assistant Examiner*—Cheri Cohen  
*Attorney, Agent, or Firm*—Thorpe, North & Western

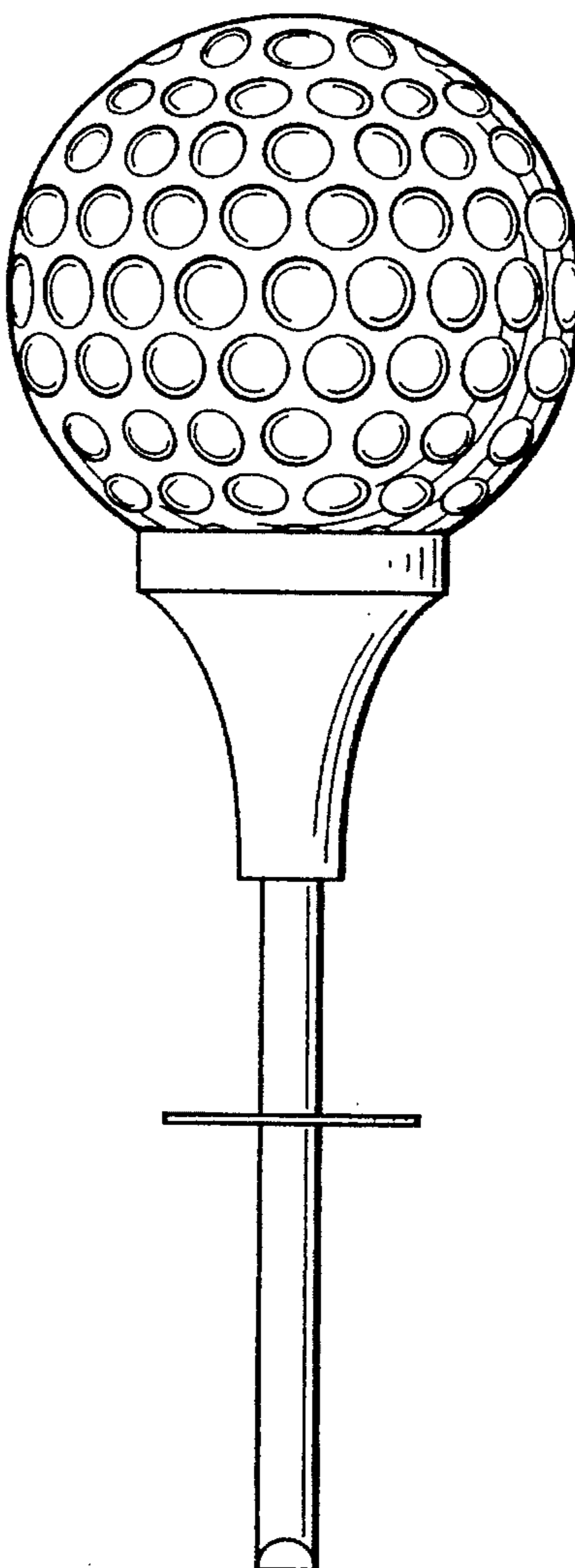
[57] **CLAIM**

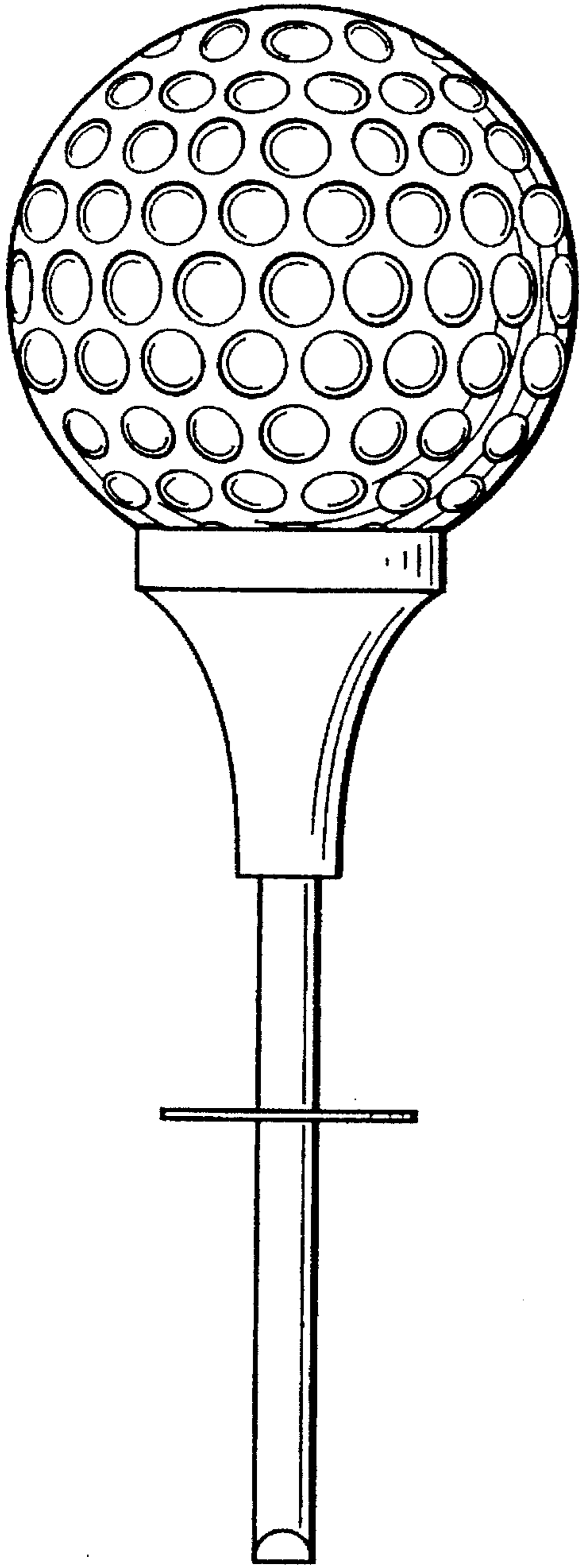
The ornamental design for a tee marker, as shown and described.

**DESCRIPTION**

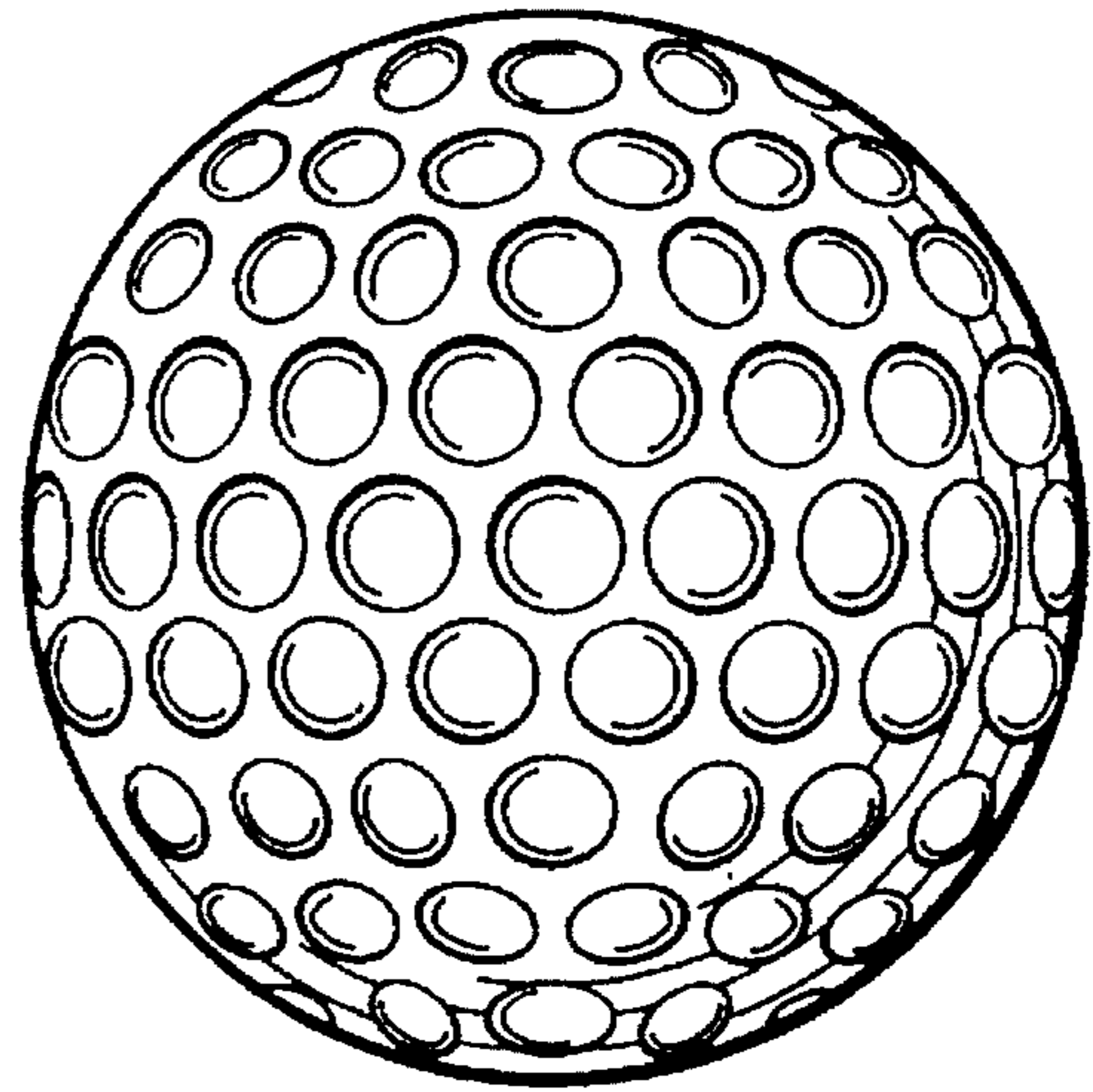
FIG. 1 is a front elevation view of a tee marker showing our new design, the rear and side views being identical; FIG. 2 is a top plan view thereof; and, FIG. 3 is a bottom plan view thereof.

**1 Claim, 1 Drawing Sheet**

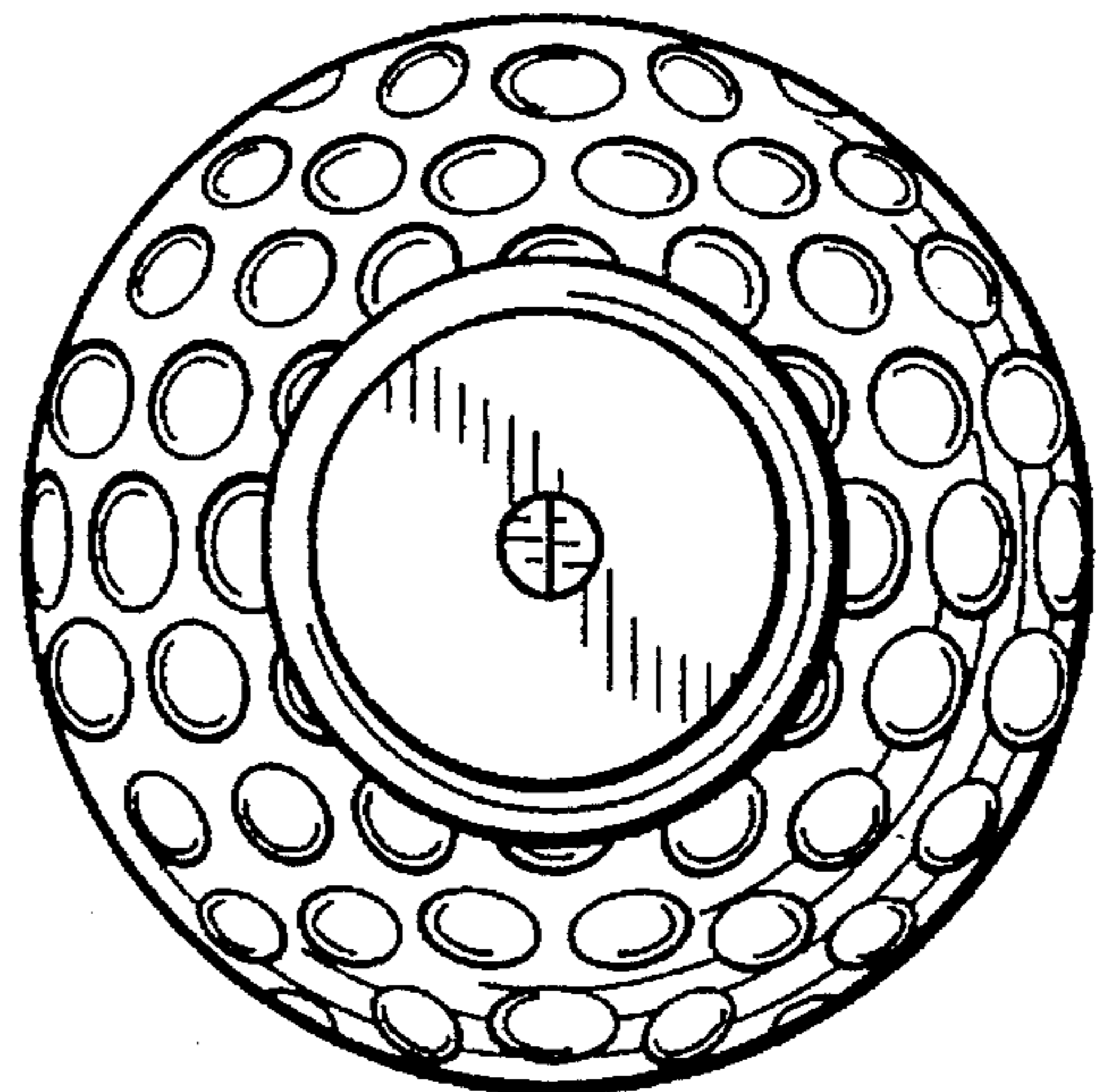




**Fig. 1**



**Fig. 2**



**Fig. 3**