



US00D367905S

# United States Patent [19]

Kanazawa

[11] Patent Number: **Des. 367,905**

[45] Date of Patent: **\*\*Mar. 12, 1996**

[54] **GOLF CLUB HEAD**

[75] Inventor: **Toshihiko Kanazawa**, Higashikurume, Japan

[73] Assignee: **Daiwa Golf Co., Ltd.**, Higashikurume, Japan

[\*\*] Term: **14 Years**

[21] Appl. No.: **32,911**

[22] Filed: **Dec. 29, 1994**

[30] **Foreign Application Priority Data**

Jun. 29, 1994	[JP]	Japan	.....	6-19285
Jul. 20, 1994	[JP]	Japan	.....	6-21762

[52] U.S. Cl. .... **D21/217**

[58] Field of Search ..... **D21/217-219; 273/167-175**

[56] **References Cited**

**U.S. PATENT DOCUMENTS**

D. 239,951	5/1976	Carrier	.....	D21/217
D. 270,852	10/1983	Mahaffey et al.	.....	D21/217
D. 293,126	12/1987	Bizovi	.....	D21/219
D. 315,005	2/1991	Solheim	.....	D21/219
D. 329,890	9/1992	Pinder	.....	D21/217
D. 329,906	9/1992	Reed et al.	.....	D21/219
D. 346,002	4/1994	Collins	.....	D21/219
D. 359,331	6/1995	Fenton, Jr.	.....	D21/219

*Primary Examiner*—Ted Shooman  
*Assistant Examiner*—Mitchell I. Siegel  
*Attorney, Agent, or Firm*—Cushman Darby & Cushman

[57] **CLAIM**

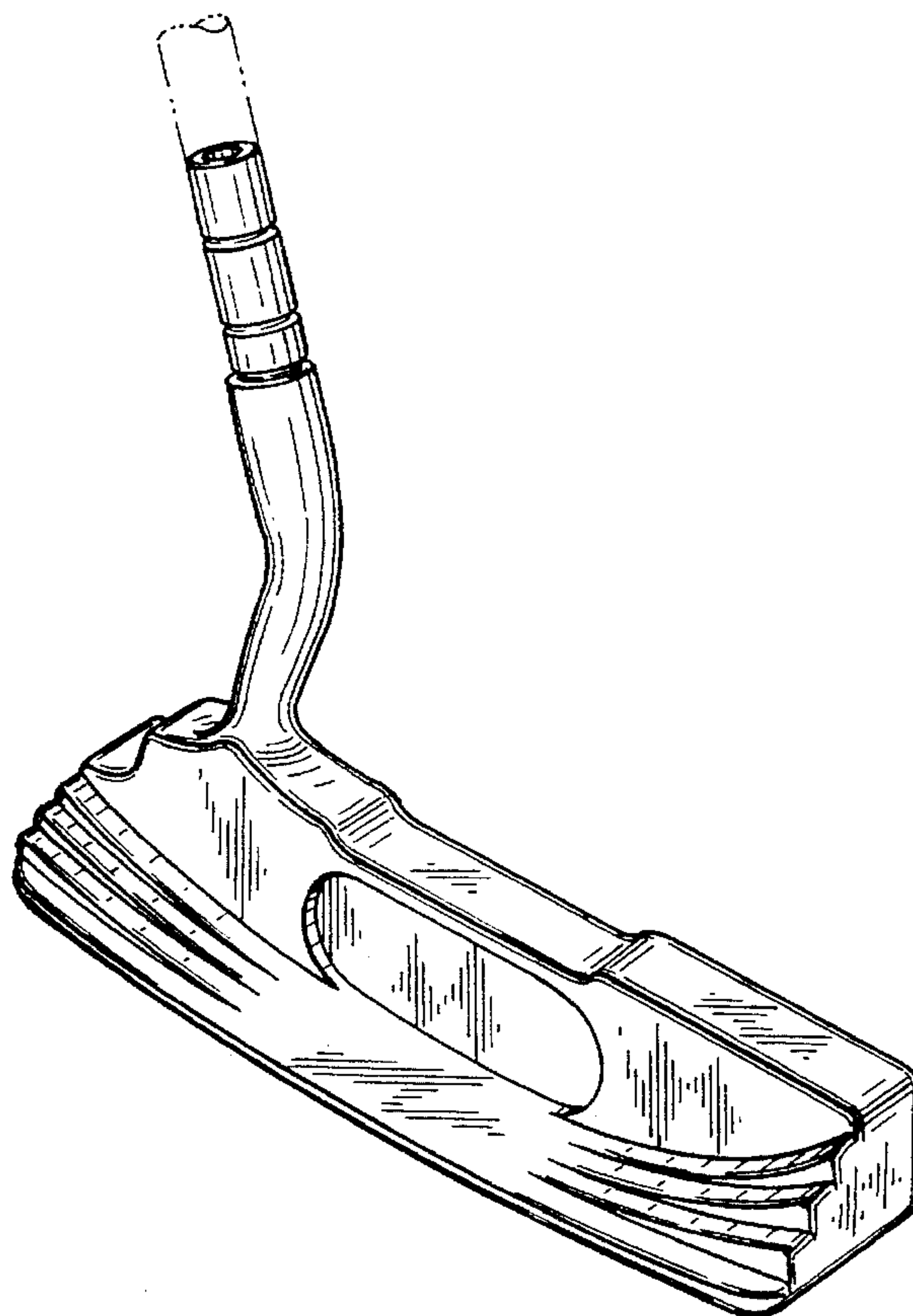
The ornamental design for a golf club head, as shown and described.

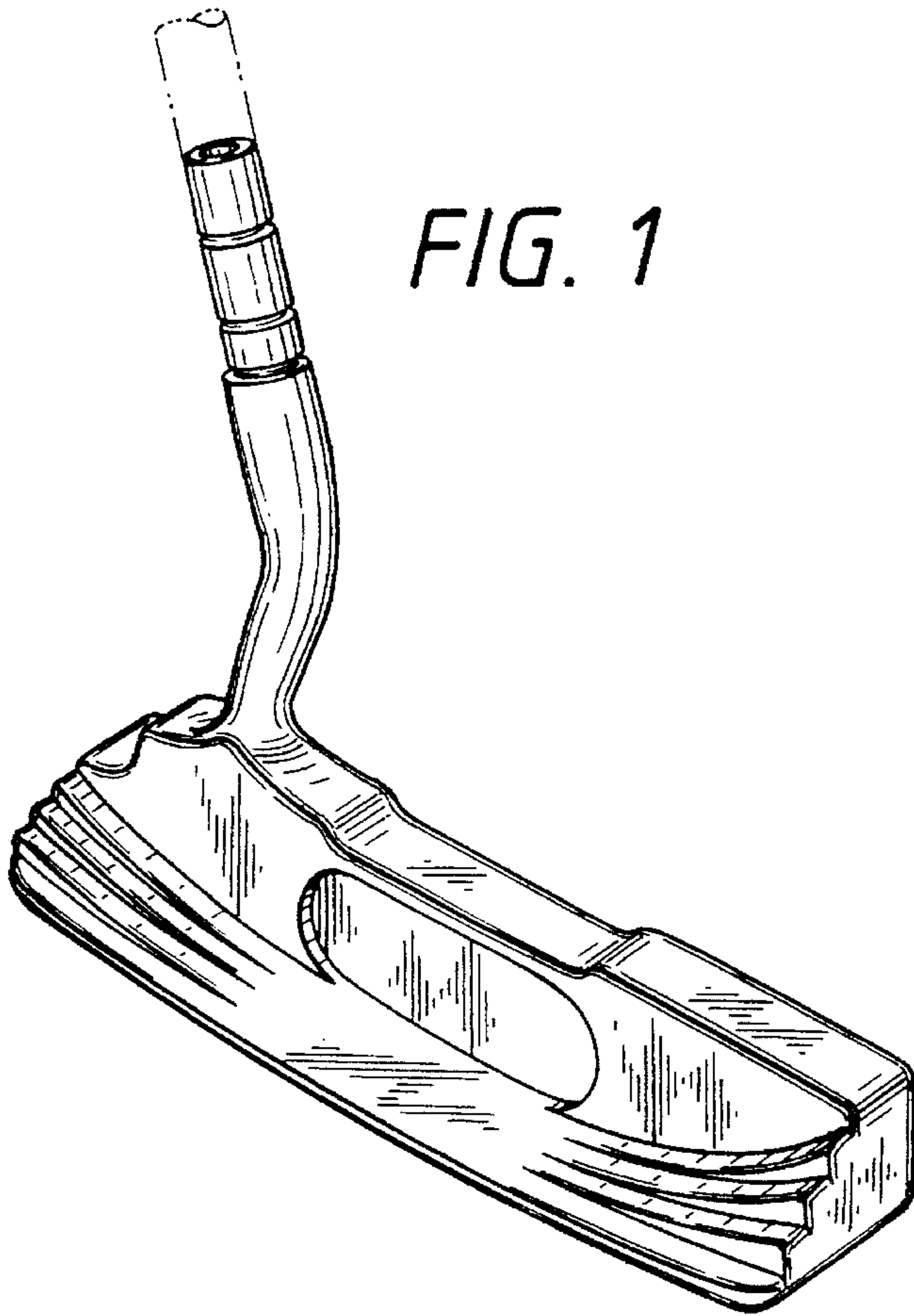
**DESCRIPTION**

FIG. 1 is a top, rear and left side of the perspective view of a golf club head showing my new design;  
 FIG. 2 is a front elevational view thereof;  
 FIG. 3 is a right side elevational view thereof;  
 FIG. 4 is a rear elevational view thereof;  
 FIG. 5 is a left side elevational view thereof;  
 FIG. 6 is a top plan view thereof;  
 FIG. 7 is a bottom view thereof;  
 FIG. 8 is a top, rear and left side perspective view of a second embodiment of the golf club head of FIG. 1;  
 FIG. 9 is a front elevational view of FIG. 8;  
 FIG. 10 is a rear elevational view of FIG. 8;  
 FIG. 11 is a left side elevational view of FIG. 8;  
 FIG. 12 is a right side elevational view of FIG. 8;  
 FIG. 13 is a top plan view of FIG. 8; and,  
 FIG. 14 is a bottom view of FIG. 8.

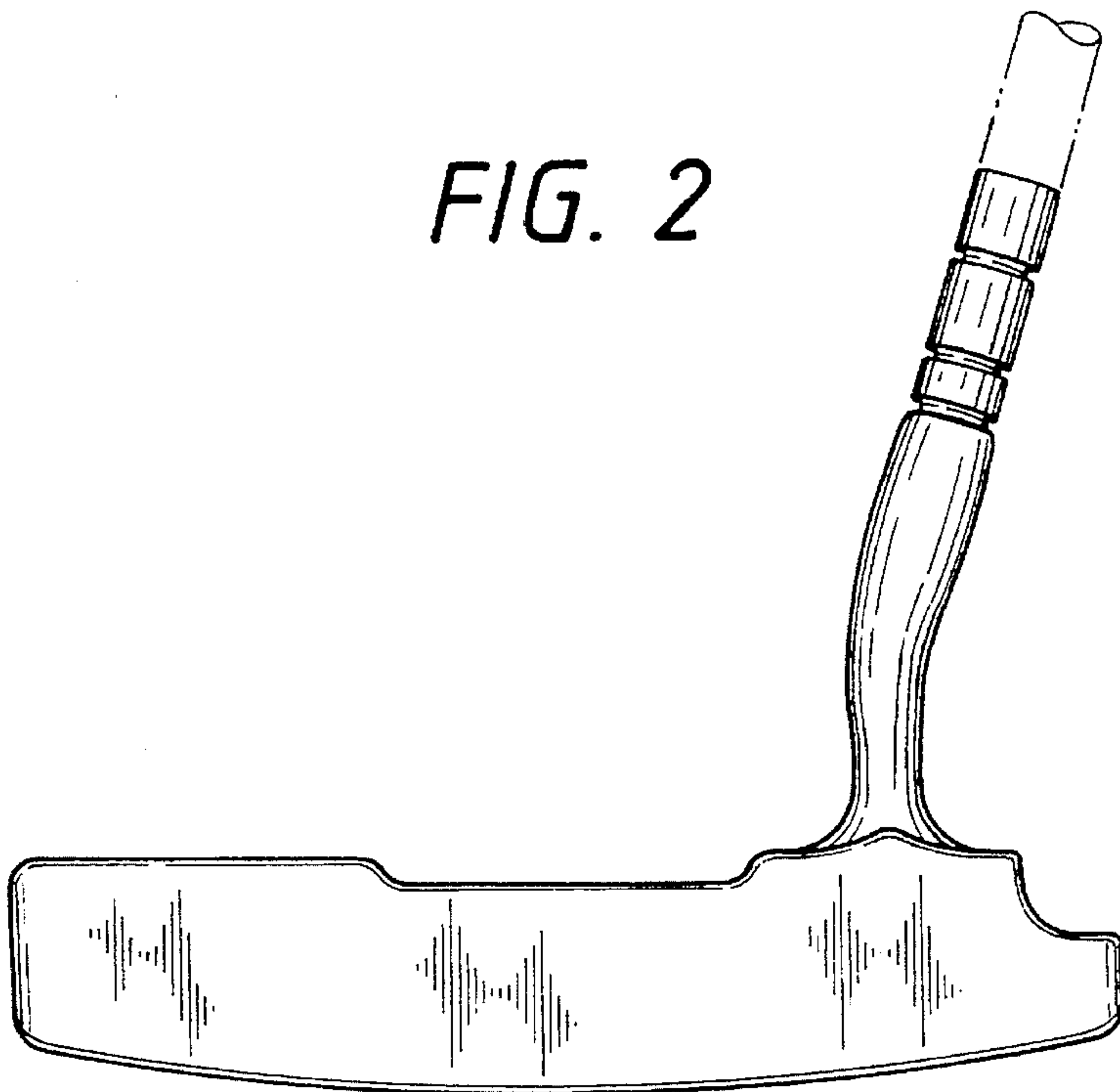
The broken line showing of a fragmented shaft is for illustrative purposes only and forms no part of the claimed design.

**1 Claim, 4 Drawing Sheets**



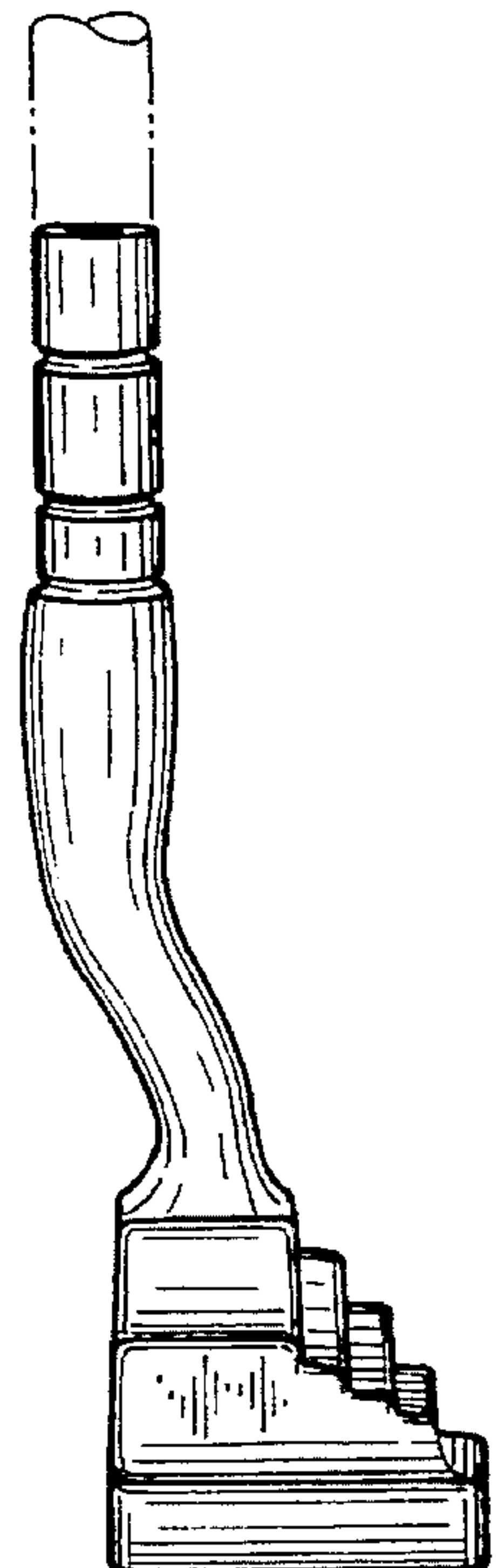


*FIG. 1*



*FIG. 2*

*FIG. 3*



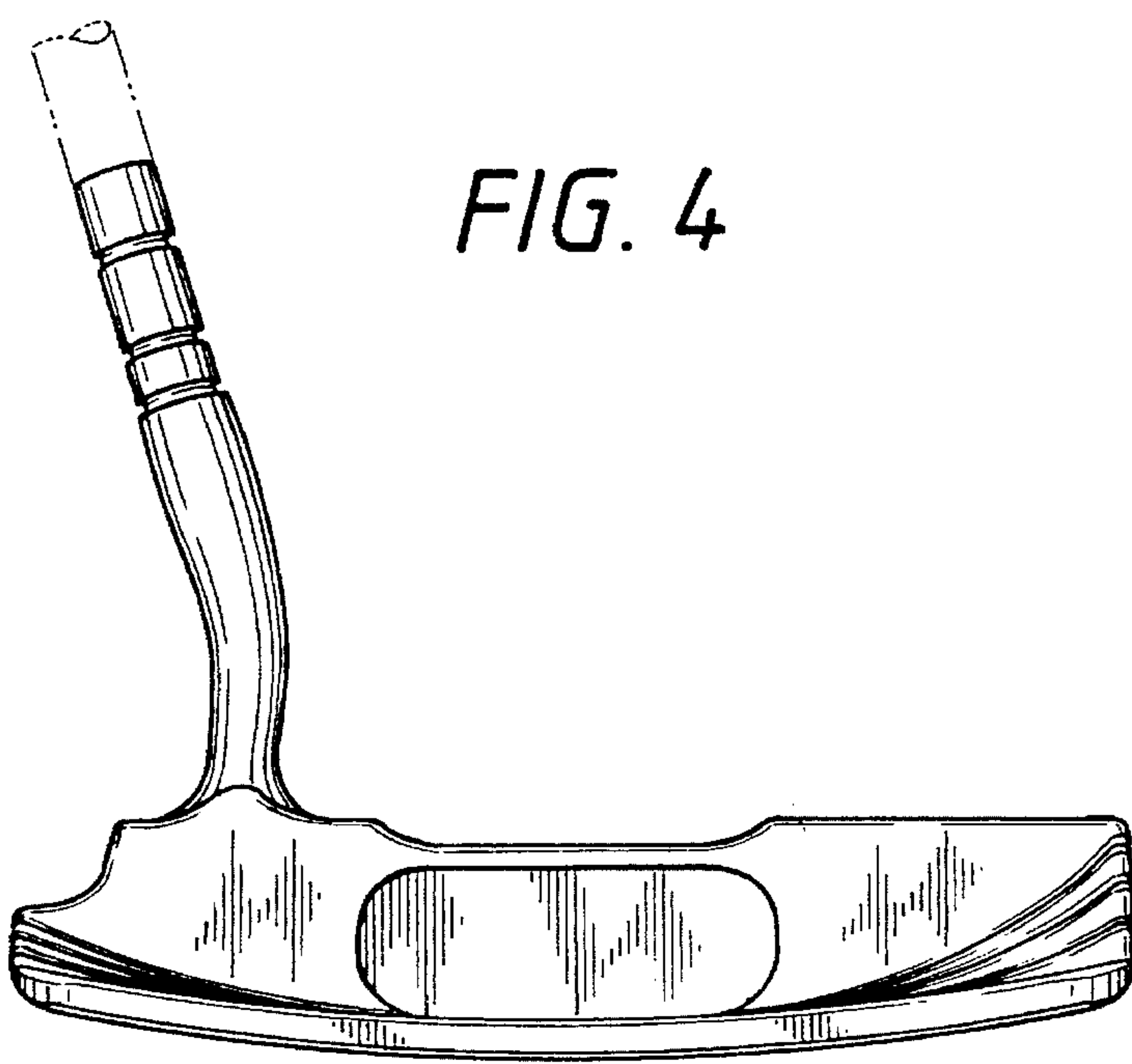


FIG. 4



FIG. 5

FIG. 6

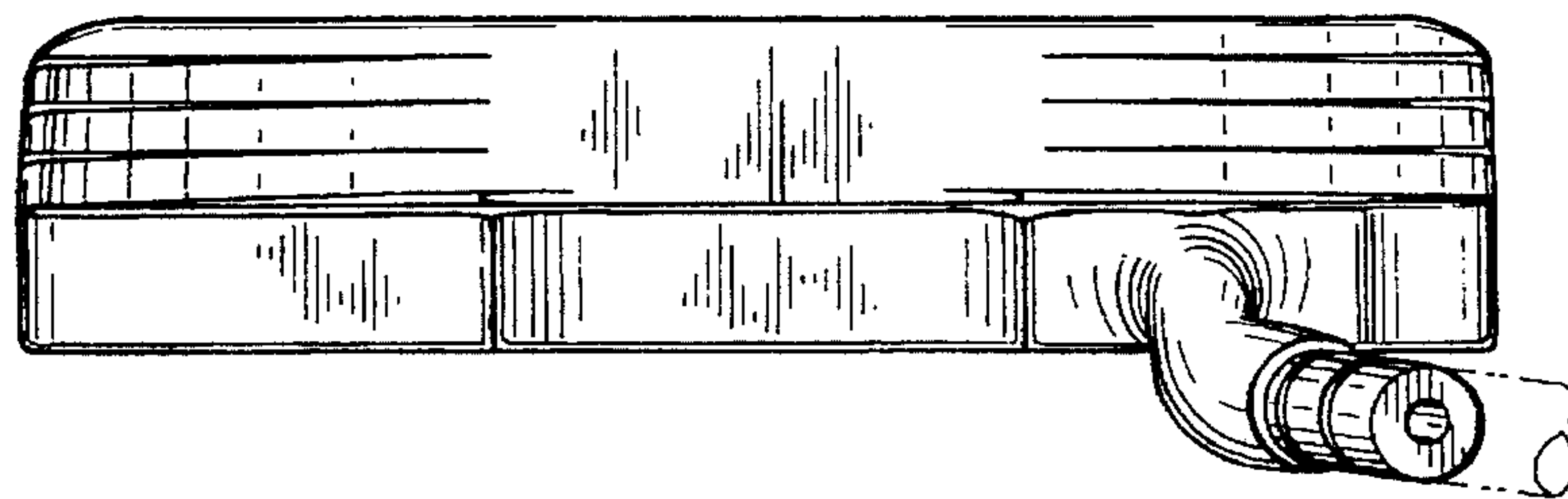
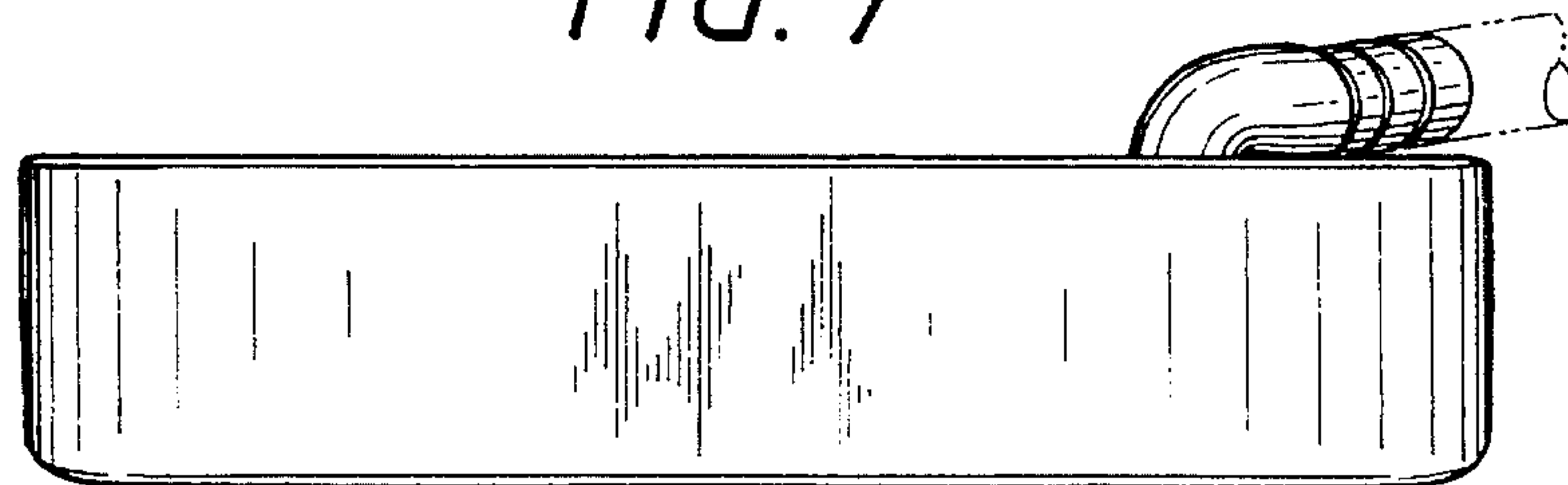


FIG. 7



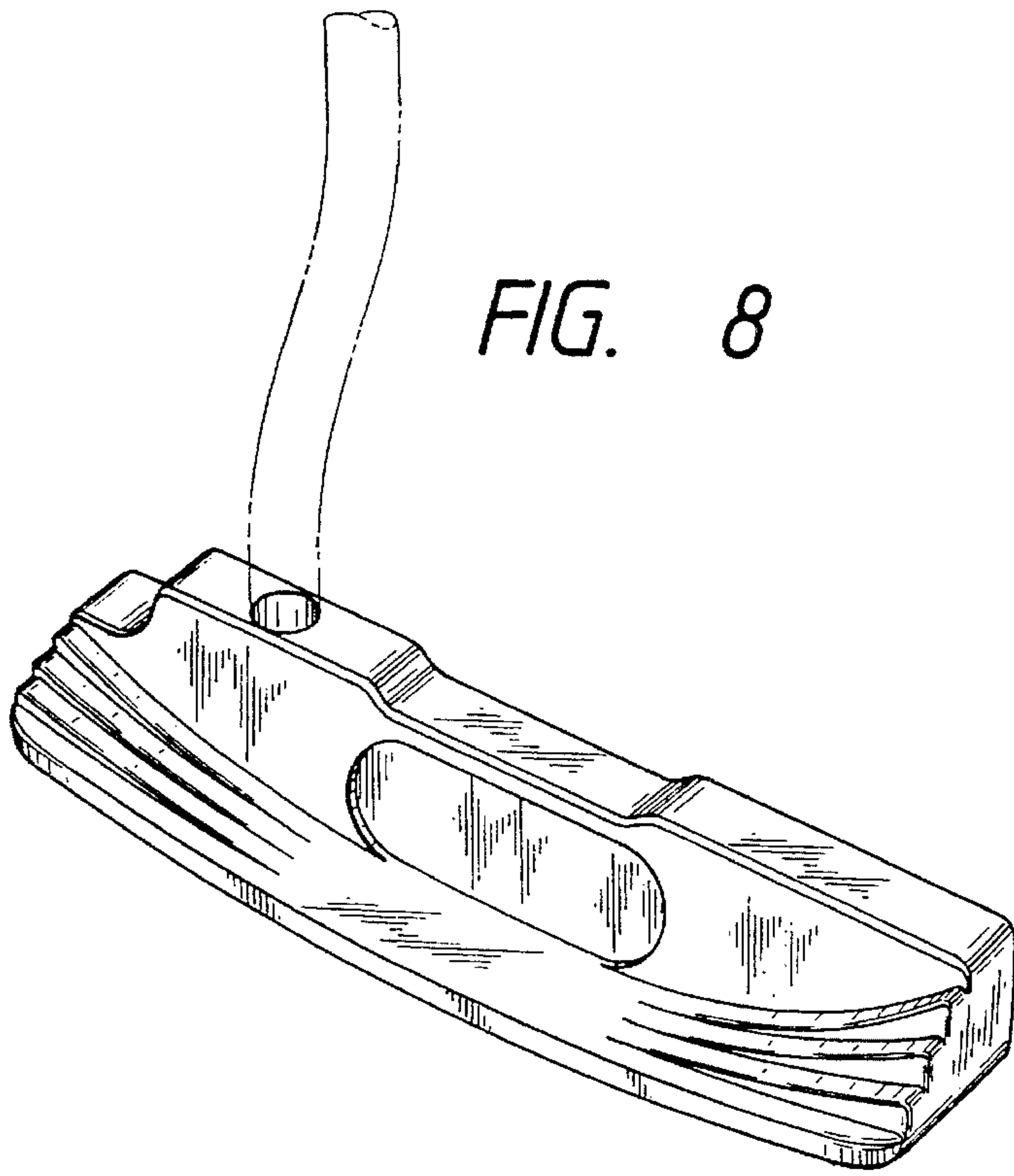


FIG. 8

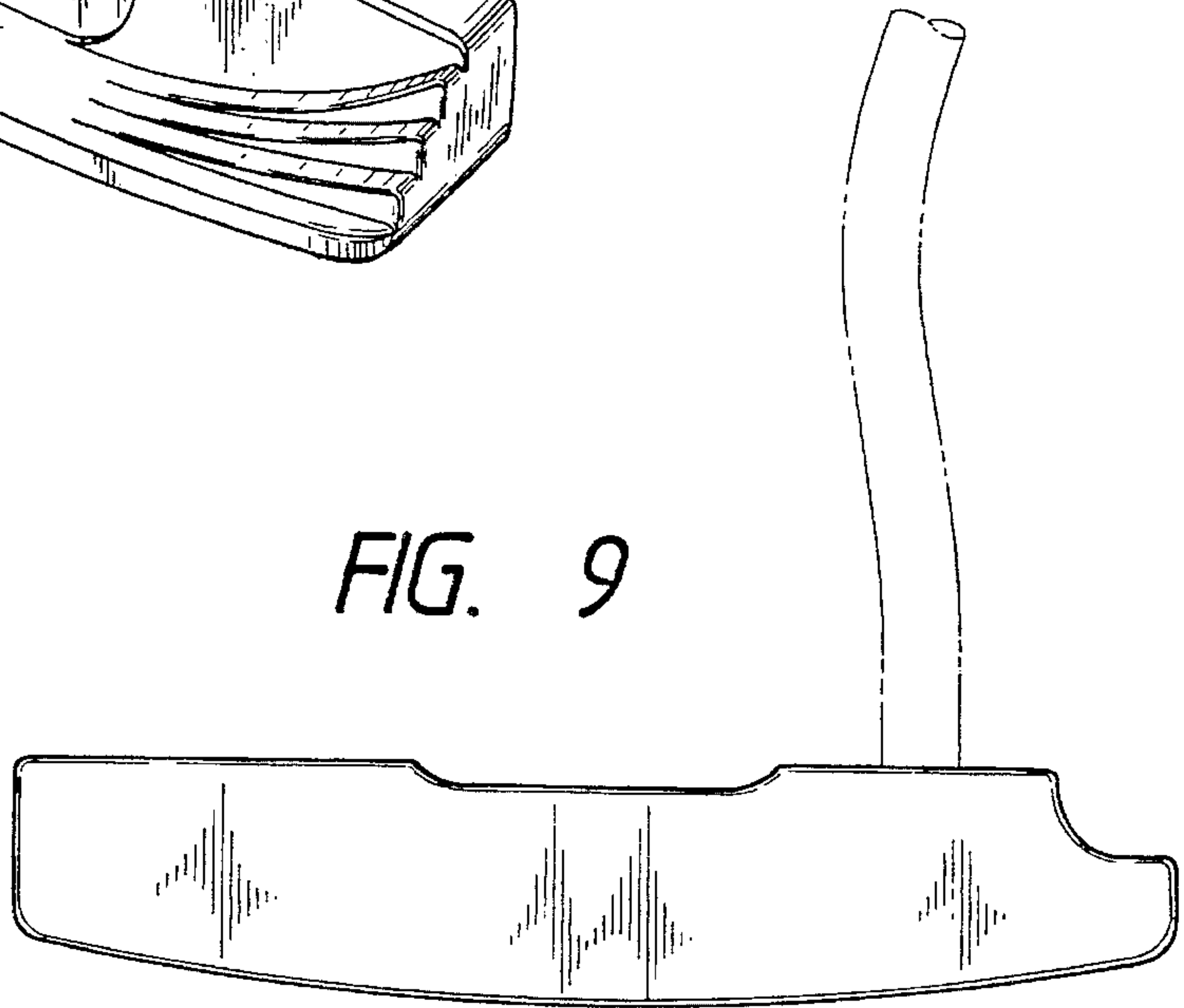


FIG. 9

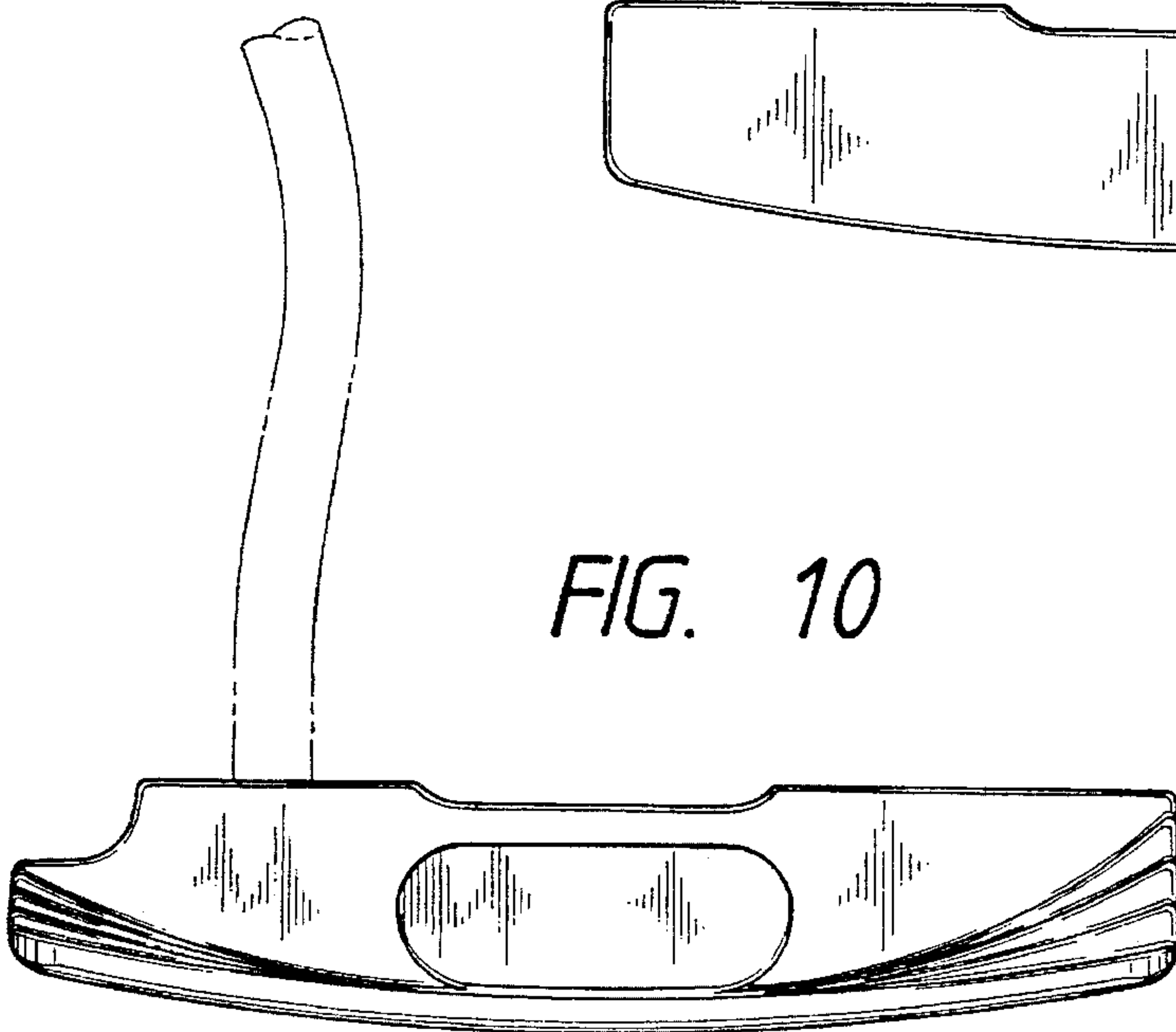


FIG. 10



FIG. 11

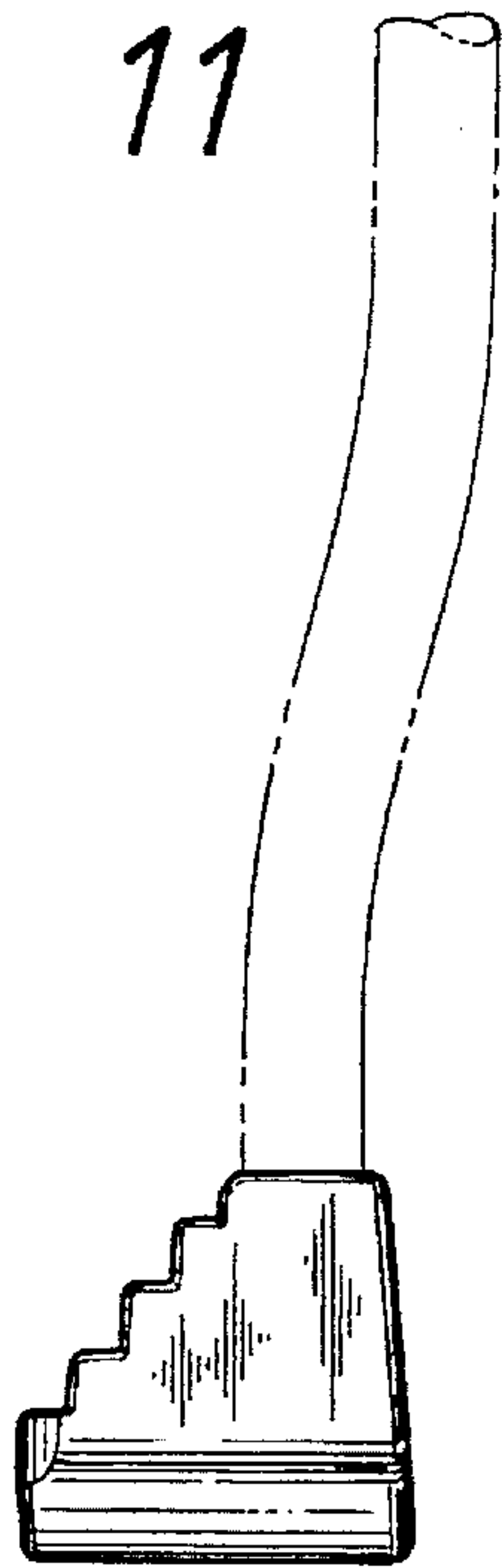


FIG. 12

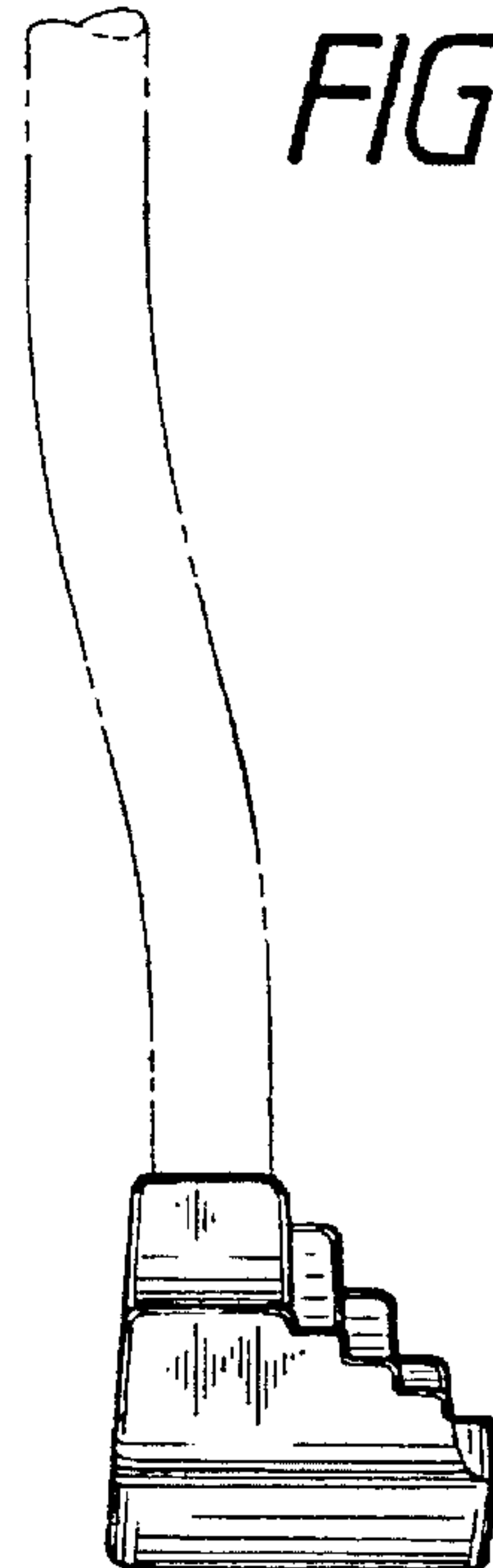


FIG. 13

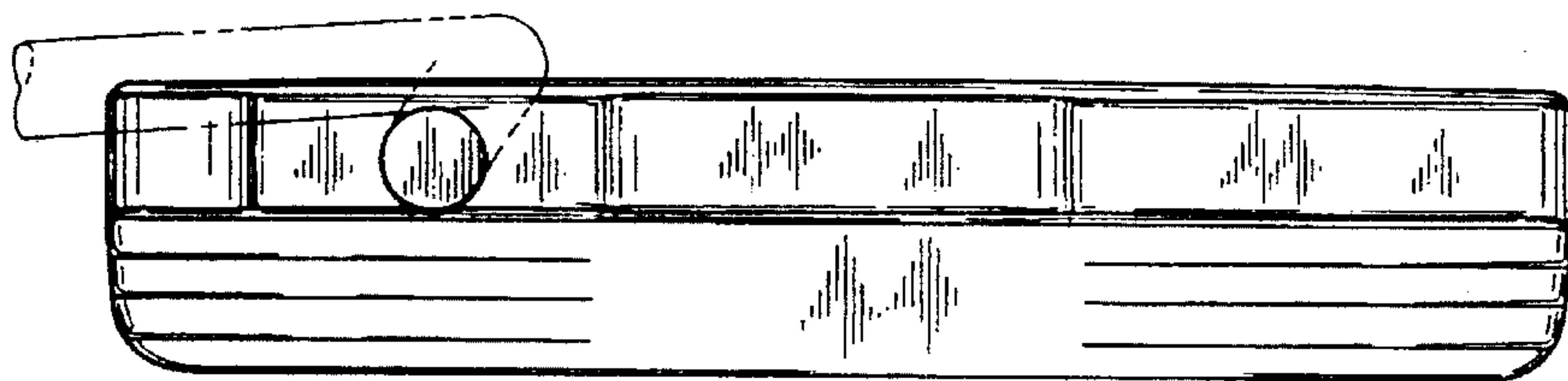


FIG. 14

