



US00D367901S

United States Patent [19]
Real

[11] **Patent Number: Des. 367,901**

[45] **Date of Patent: **Mar. 12, 1996**

[54] **COMBINED HIP AND THIGH EXERCISE MACHINE**

[75] Inventor: **Ken G. Real**, Redmond, Wash.

[73] Assignee: **Tunturi, Inc.**, Redmond, Wash.

[**] Term: **14 Years**

[21] Appl. No.: **34,378**

[22] Filed: **Feb. 3, 1995**

[52] U.S. Cl. **D21/195; D21/191**

[58] **Field of Search** D21/191, 195;
482/130, 112, 136, 137, 138, 142, 92, 98,
123, 131, 133

[56] **References Cited**

U.S. PATENT DOCUMENTS

D. 360,666	7/1995	Rockwell et al.	D21/195
D. 360,924	8/1995	Rockwell et al.	D21/195
5,277,681	1/1994	Holt	482/142
5,393,286	2/1995	Cheng	482/133
5,435,801	7/1995	Hung	482/123

Primary Examiner—Philip S. Hyder

Attorney, Agent, or Firm—Graybeal Jackson Haley & Johnson

[57] **CLAIM**

The ornamental design for a combination hip and thigh exercise machine, as shown and described.

DESCRIPTION

FIG. 1 is a front perspective view of the combination hip and thigh exercise machine showing my design;

FIG. 2 is a rear view in elevation of the combination hip and thigh exercise machine of FIG. 1;

FIG. 3 is a front view in elevation of the combination hip and thigh exercise machine of FIG. 1;

FIG. 4 is a side view in elevation as seen from the right-hand side of the combination hip and thigh exercise machine of FIG. 1;

FIG. 5 is a side view in elevation as seen from the left-hand side of the combination hip and thigh exercise machine of FIG. 1;

FIG. 6 is a top plan view of the combination hip and thigh exercise machine of FIG. 1; and,

FIG. 7 is a bottom plan view of the combination hip and thigh exercise machine of FIG. 1.

1 Claim, 2 Drawing Sheets

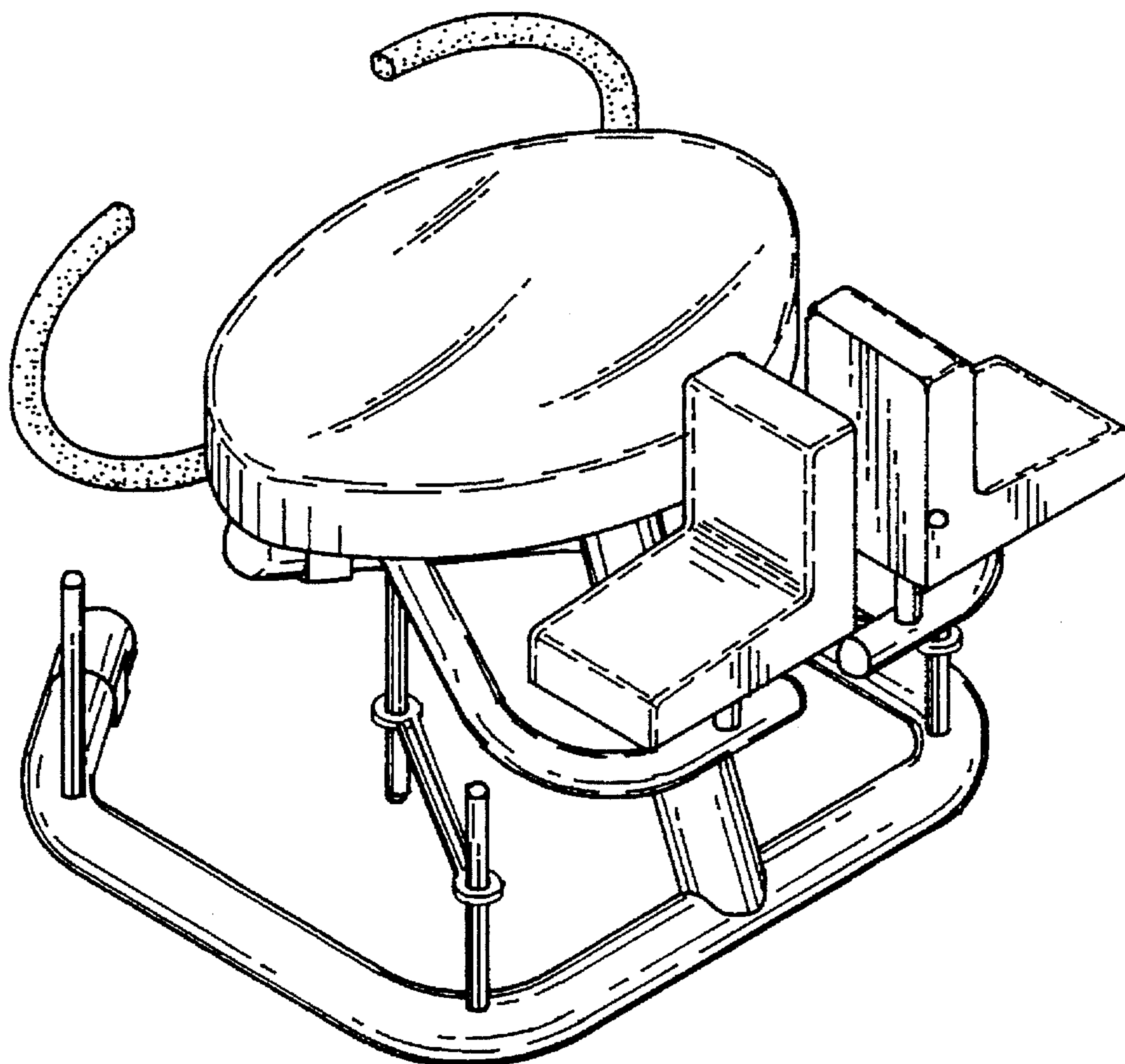


FIG. 1

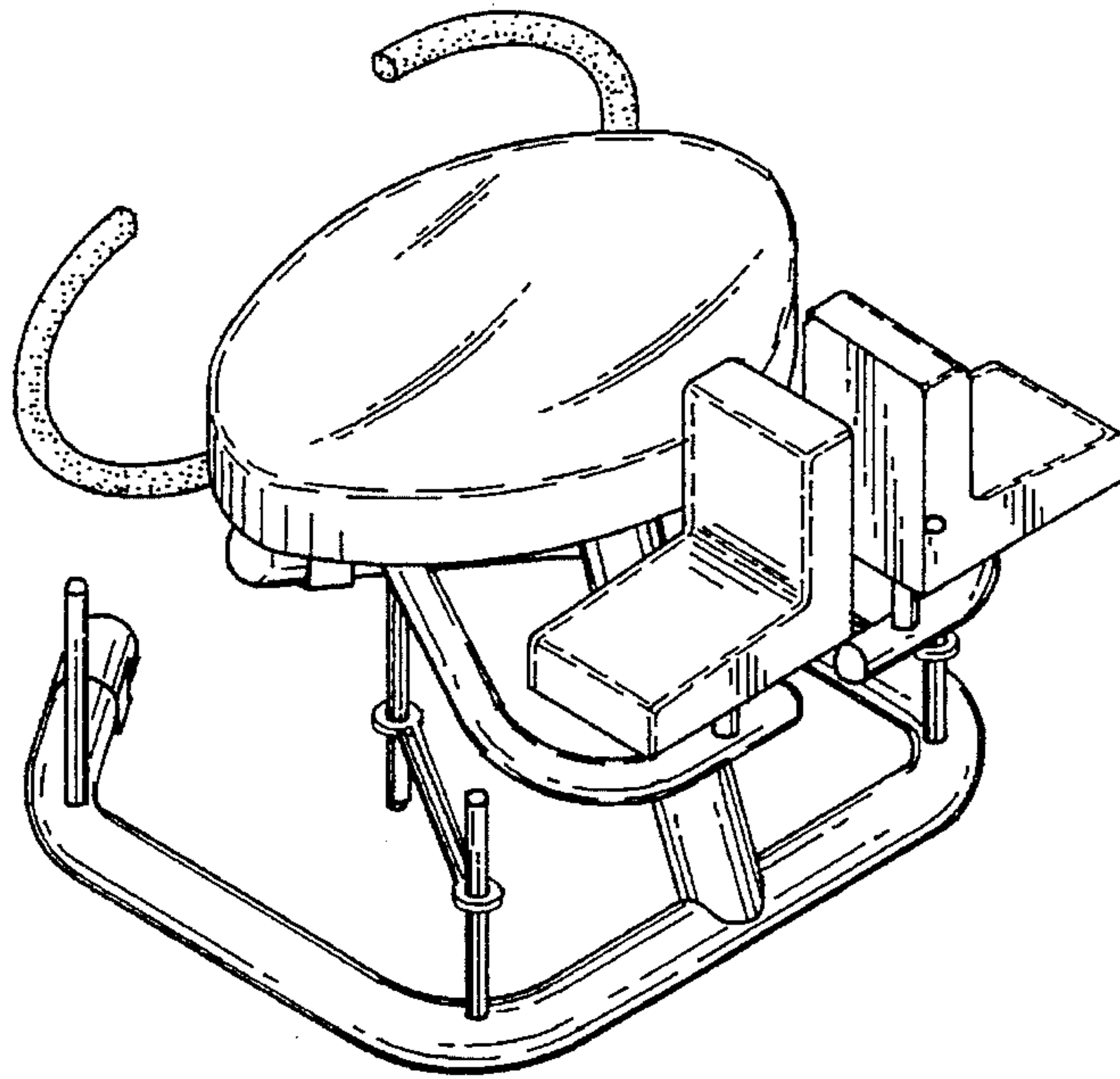


FIG. 2

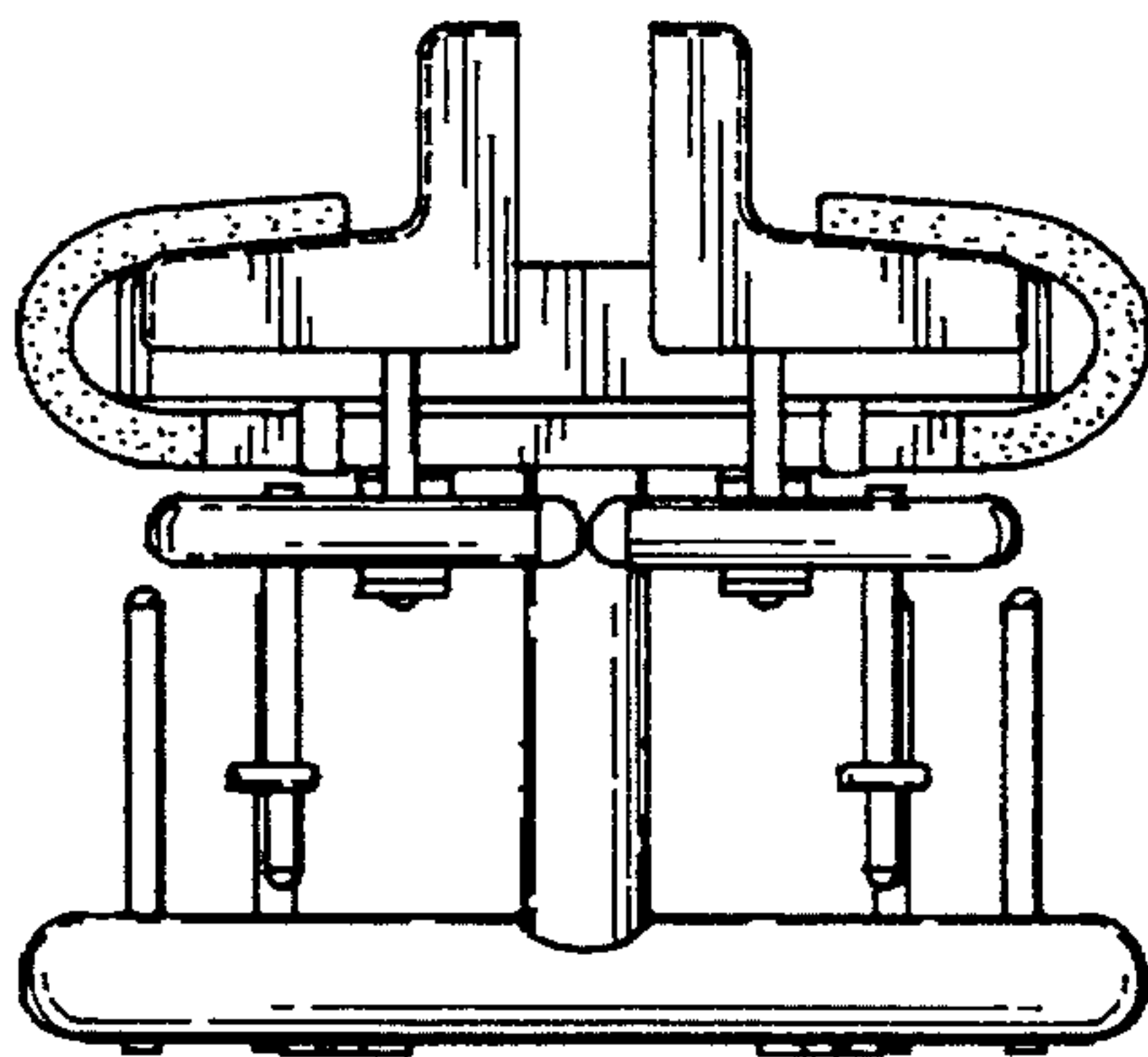


FIG. 3

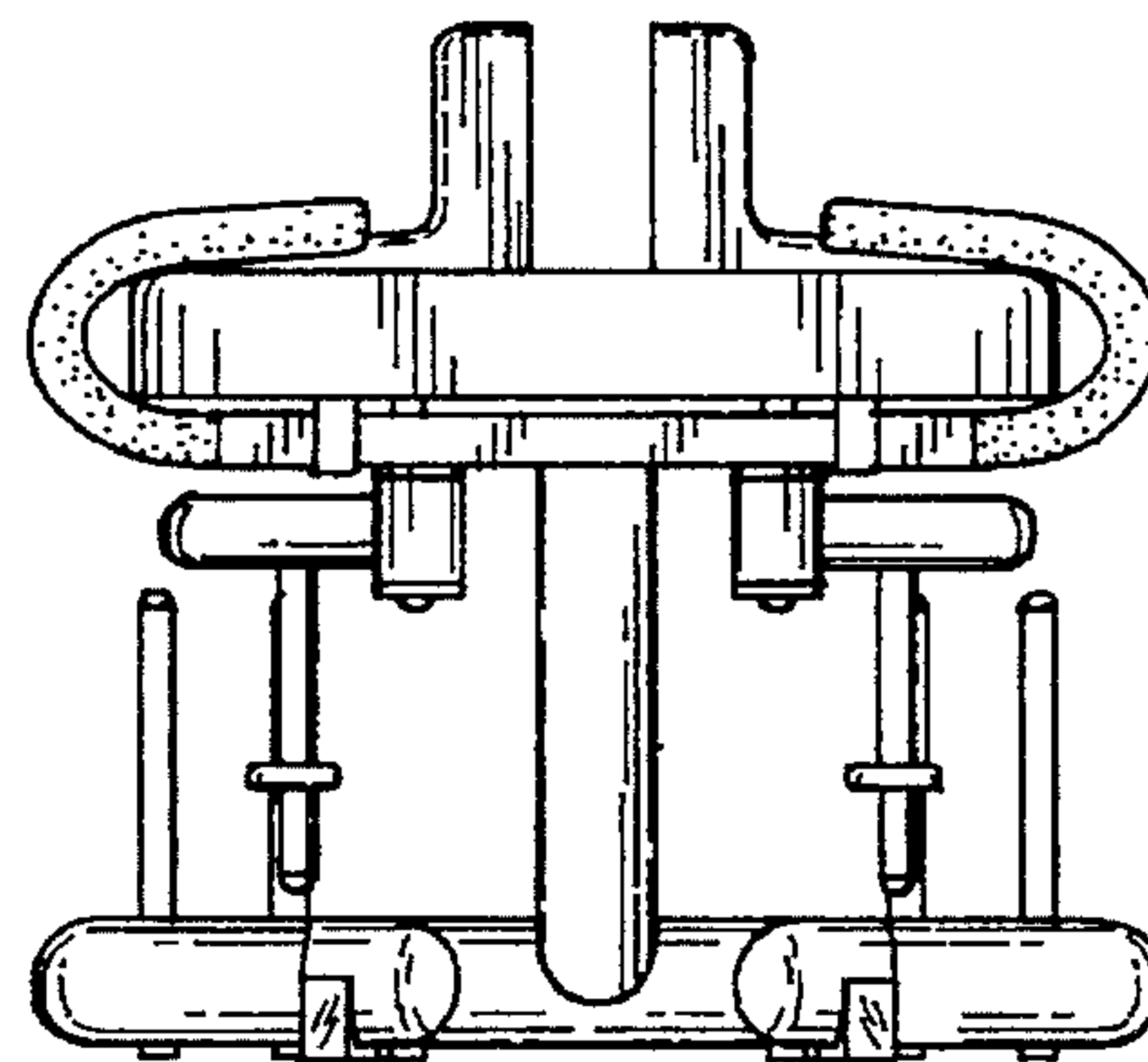


FIG. 4

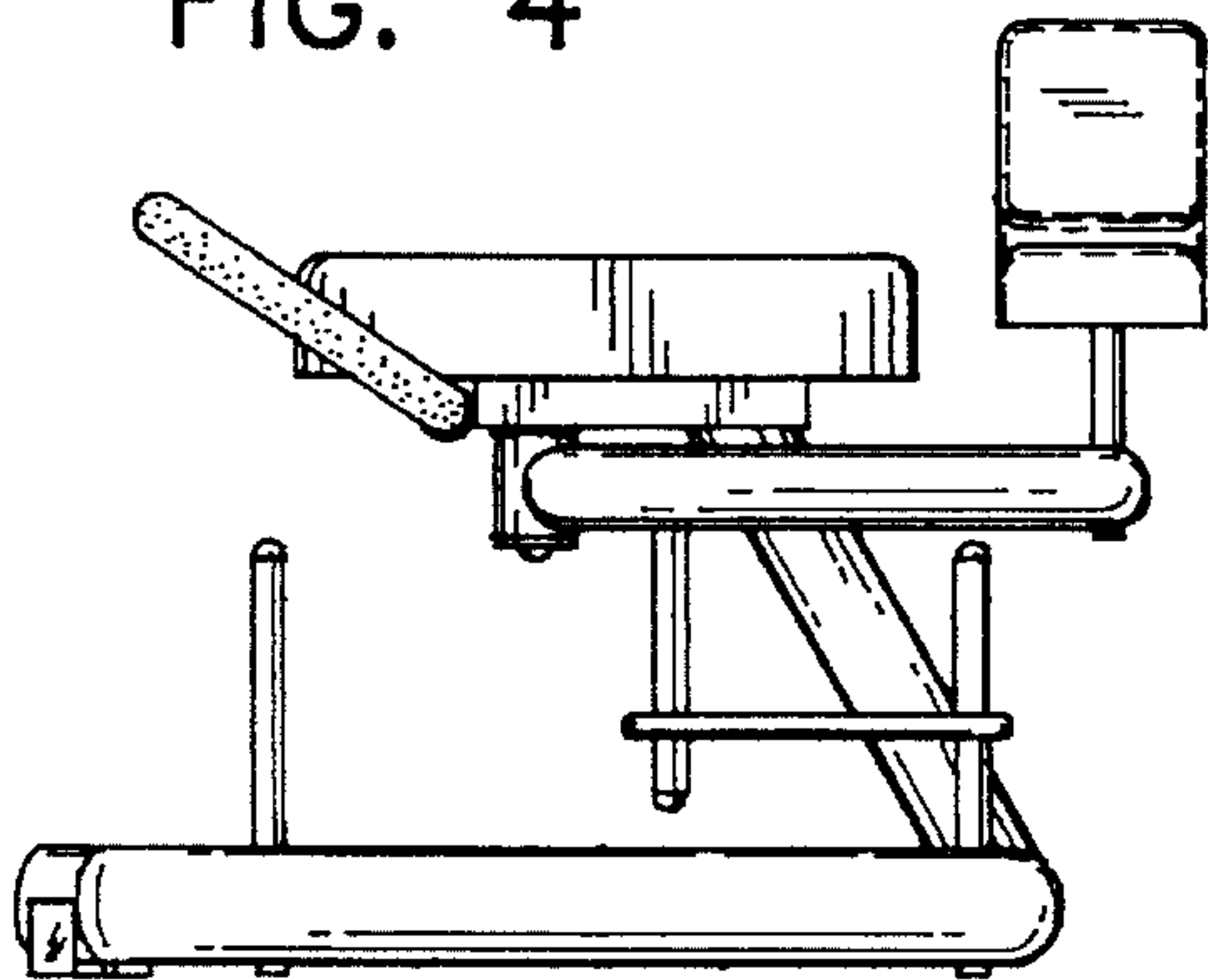


FIG. 5

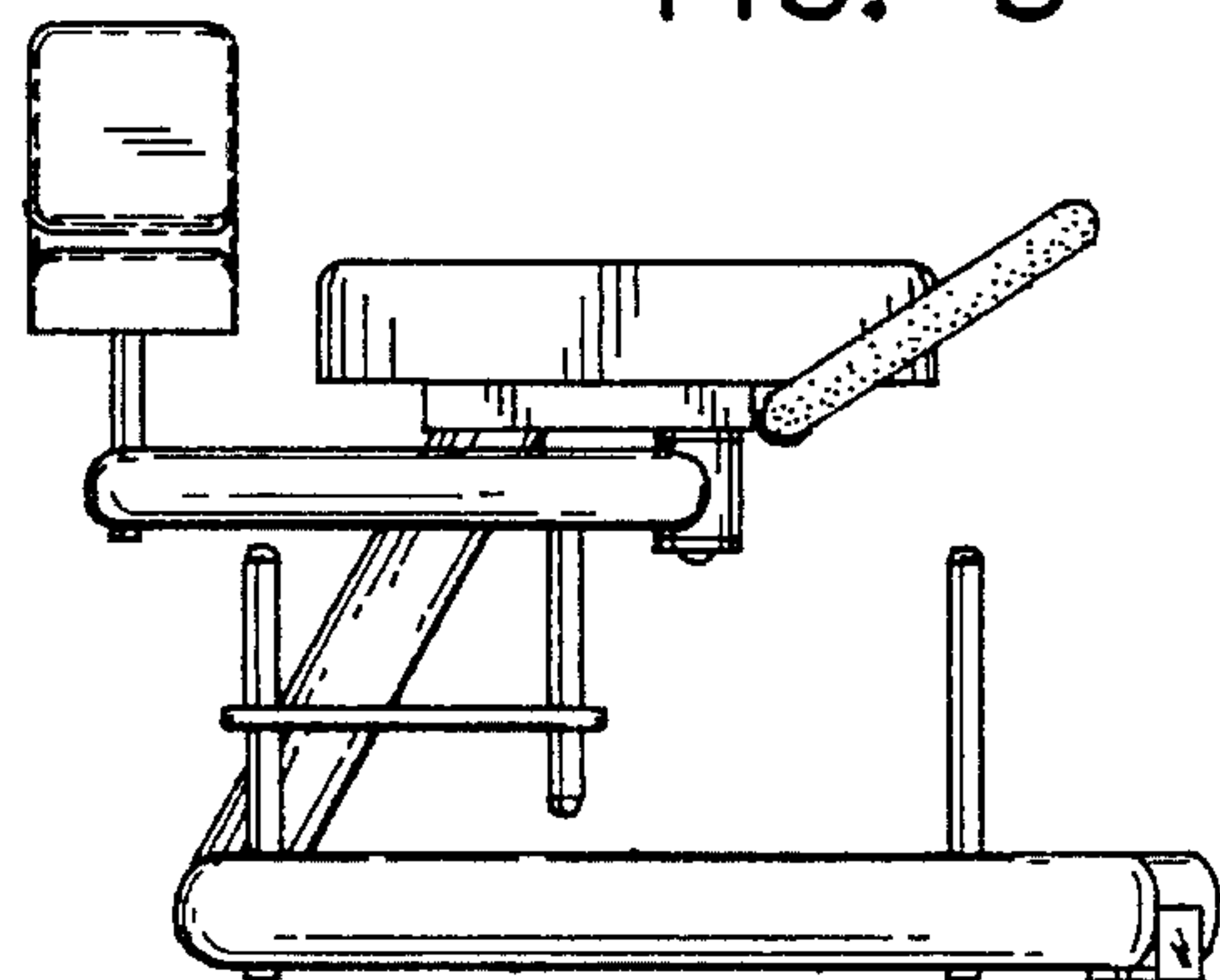


FIG. 6

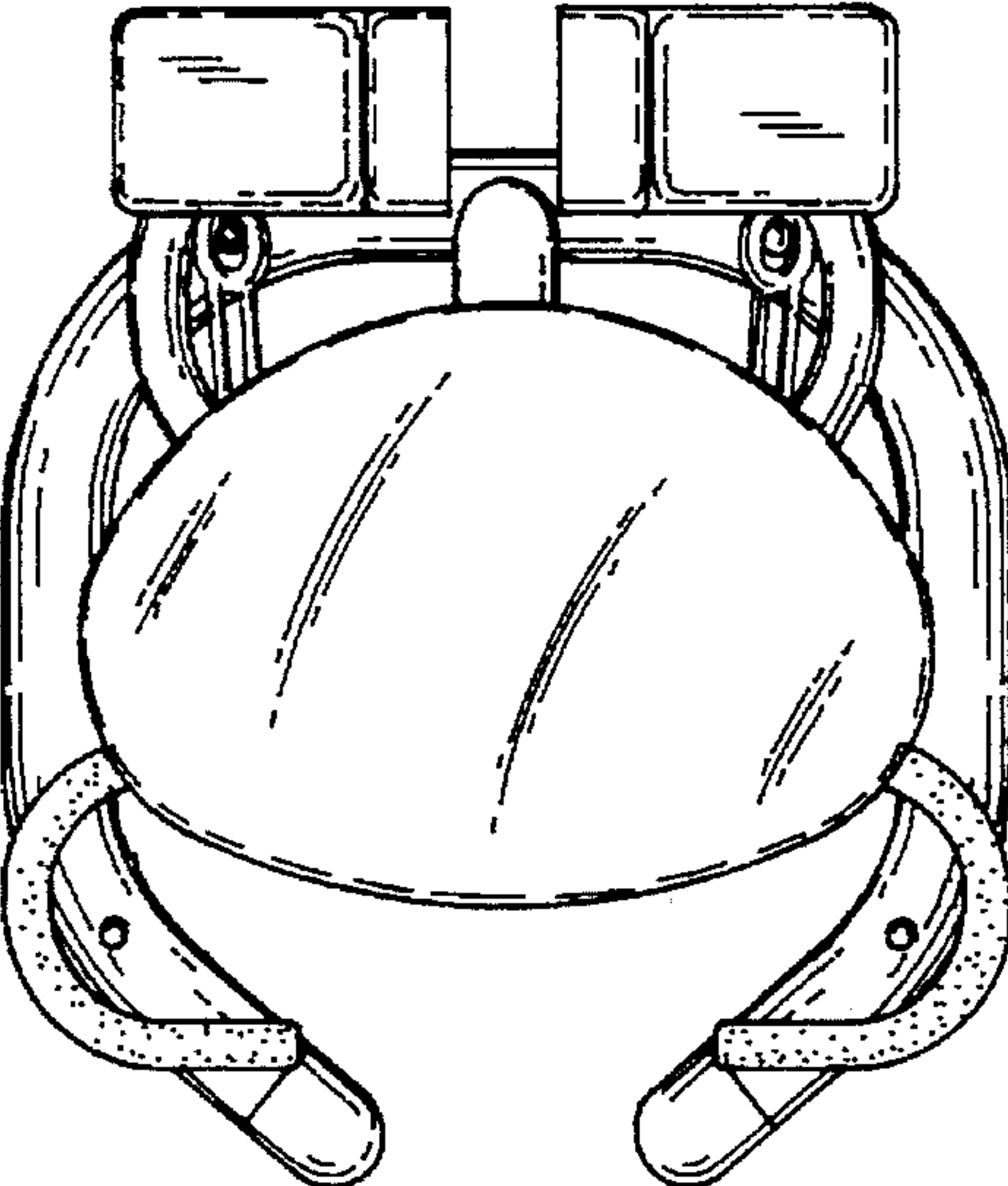


FIG. 7

