



US00D367900S

# United States Patent [19]

[11] Patent Number: **Des. 367,900**

Hu

[45] Date of Patent: **\*\*Mar. 12, 1996**

[54] **PHYSICAL EXERCISER**

5,263,915	11/1993	Habing .....	482/102
5,324,246	6/1994	Wang .....	482/129
5,336,153	8/1994	Chen .....	482/137

[76] Inventor: **Chang-Sung Hu**, Room 26, 3Fl., No. 5, Sec. 5, Sinyi Rd., Taipei, Taiwan

[\*\*] Term: **14 Years**

*Primary Examiner*—Philip S. Hyder  
*Attorney, Agent, or Firm*—Hedman, Gibson & Costigan

[21] Appl. No.: **27,196**

[57] **CLAIM**

[22] Filed: **Aug. 16, 1994**

The ornamental design for a physical exerciser, as shown.

[52] U.S. Cl. .... **D21/195**

**DESCRIPTION**

[58] **Field of Search** ..... D21/191, 195;  
482/138, 102, 137, 99, 100, 93, 95, 97

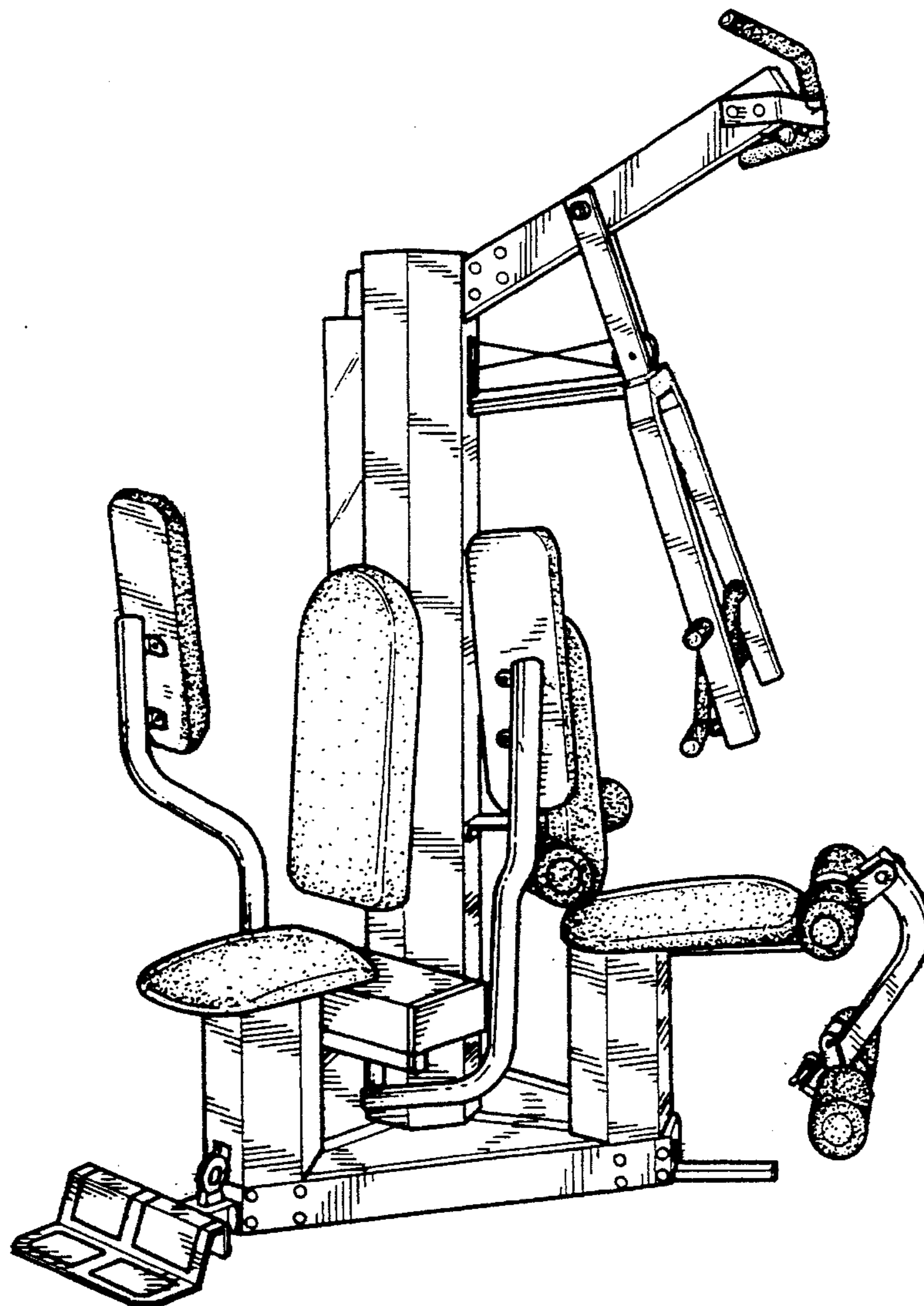
FIG. 1 is a top perspective view of a physical exerciser showing my new design;  
FIG. 2 is a front view thereof;  
FIG. 3 is a rear view thereof;  
FIG. 4 is a left side view thereof;  
FIG. 5 is a right side view thereof;  
FIG. 6 is a top plan view thereof; and,  
FIG. 7 is a bottom plan view thereof.

[56] **References Cited**

**U.S. PATENT DOCUMENTS**

D. 242,732	12/1976	Brentham .....	D21/195
D. 321,024	10/1991	Brentham .....	D21/195
4,900,018	2/1990	Ish, III et al. ....	482/138
4,986,538	1/1991	Ish, III .....	482/138
5,221,245	6/1993	Yeh .....	482/138

**1 Claim, 7 Drawing Sheets**



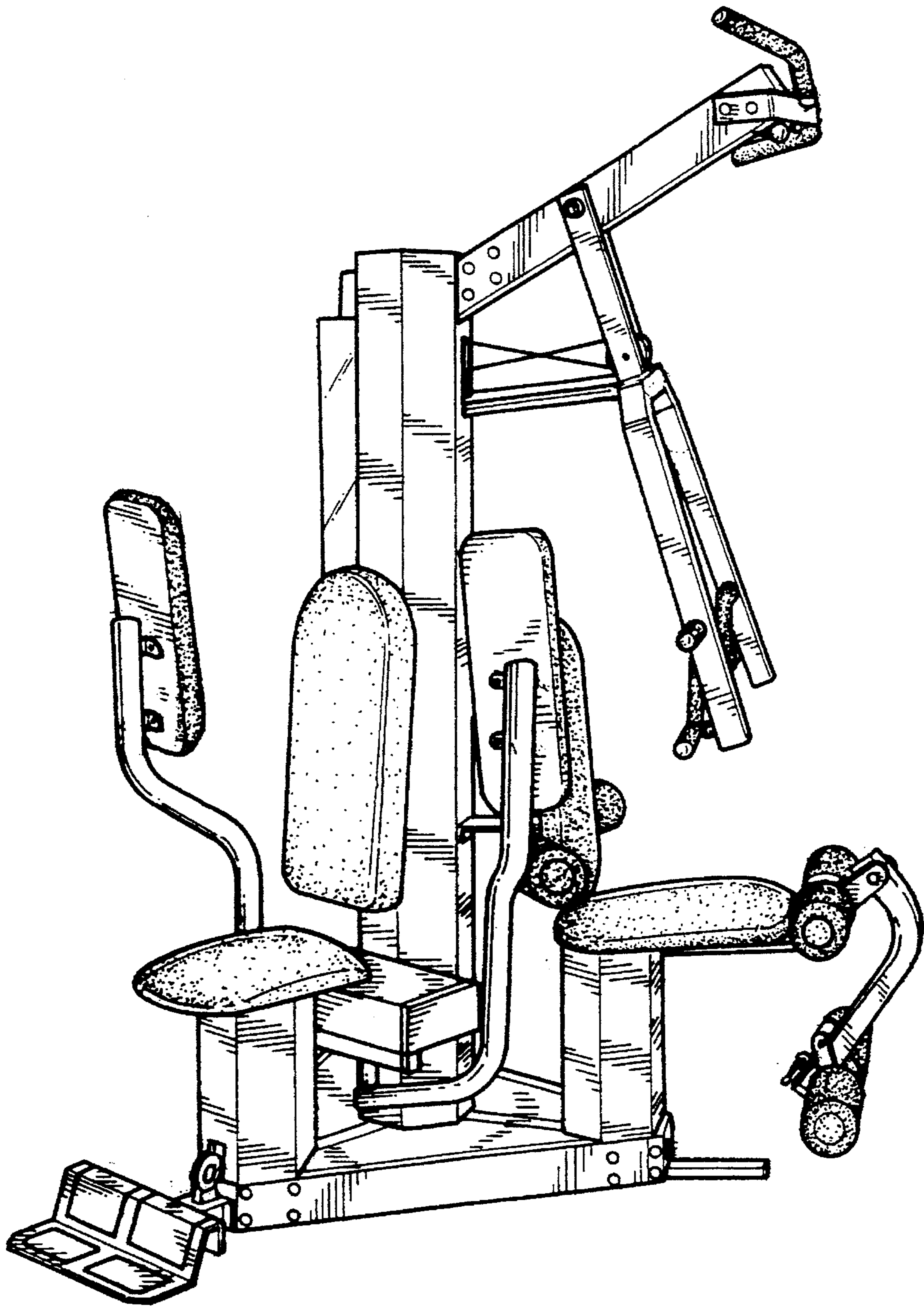


FIG. 1

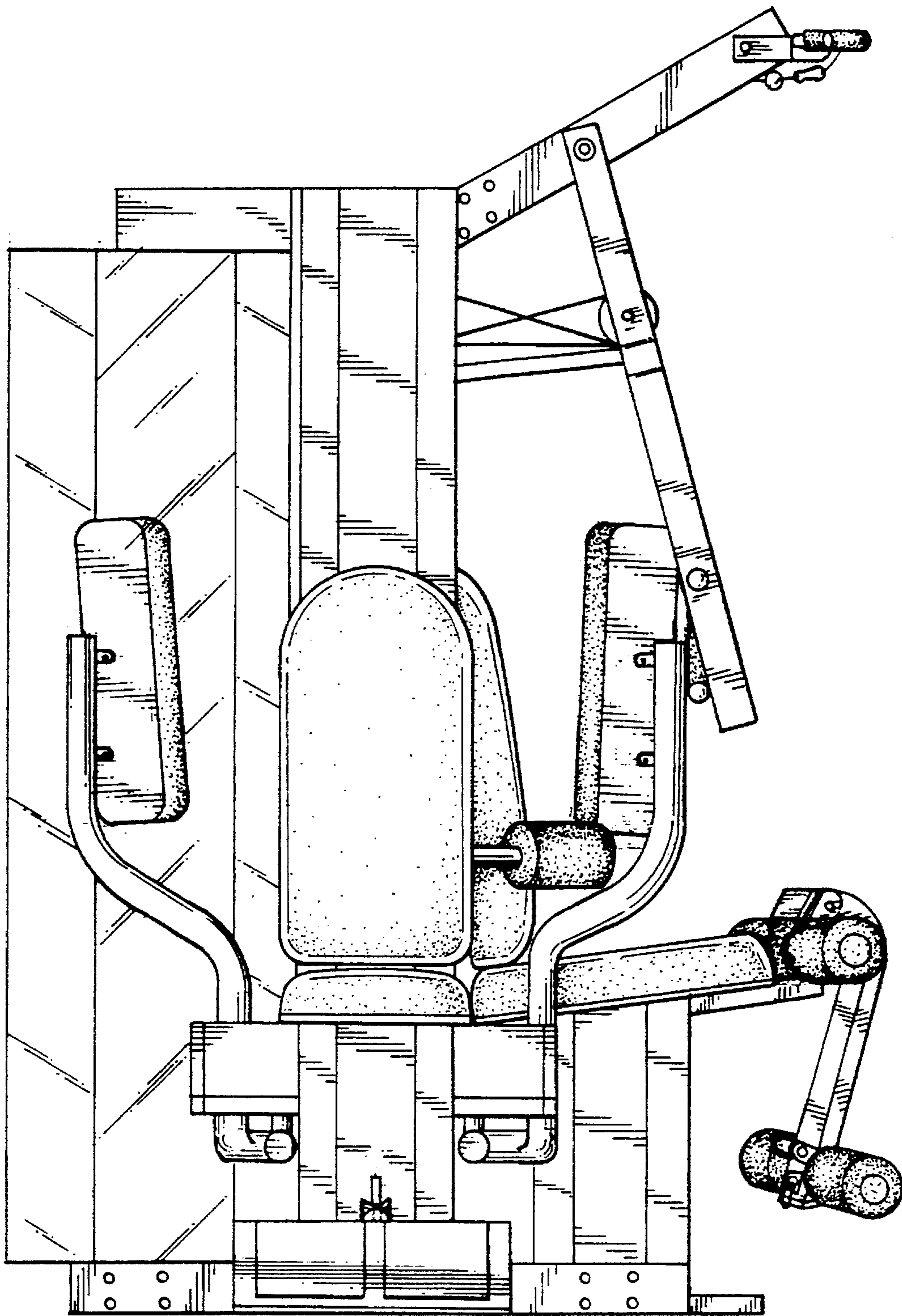


FIG. 2

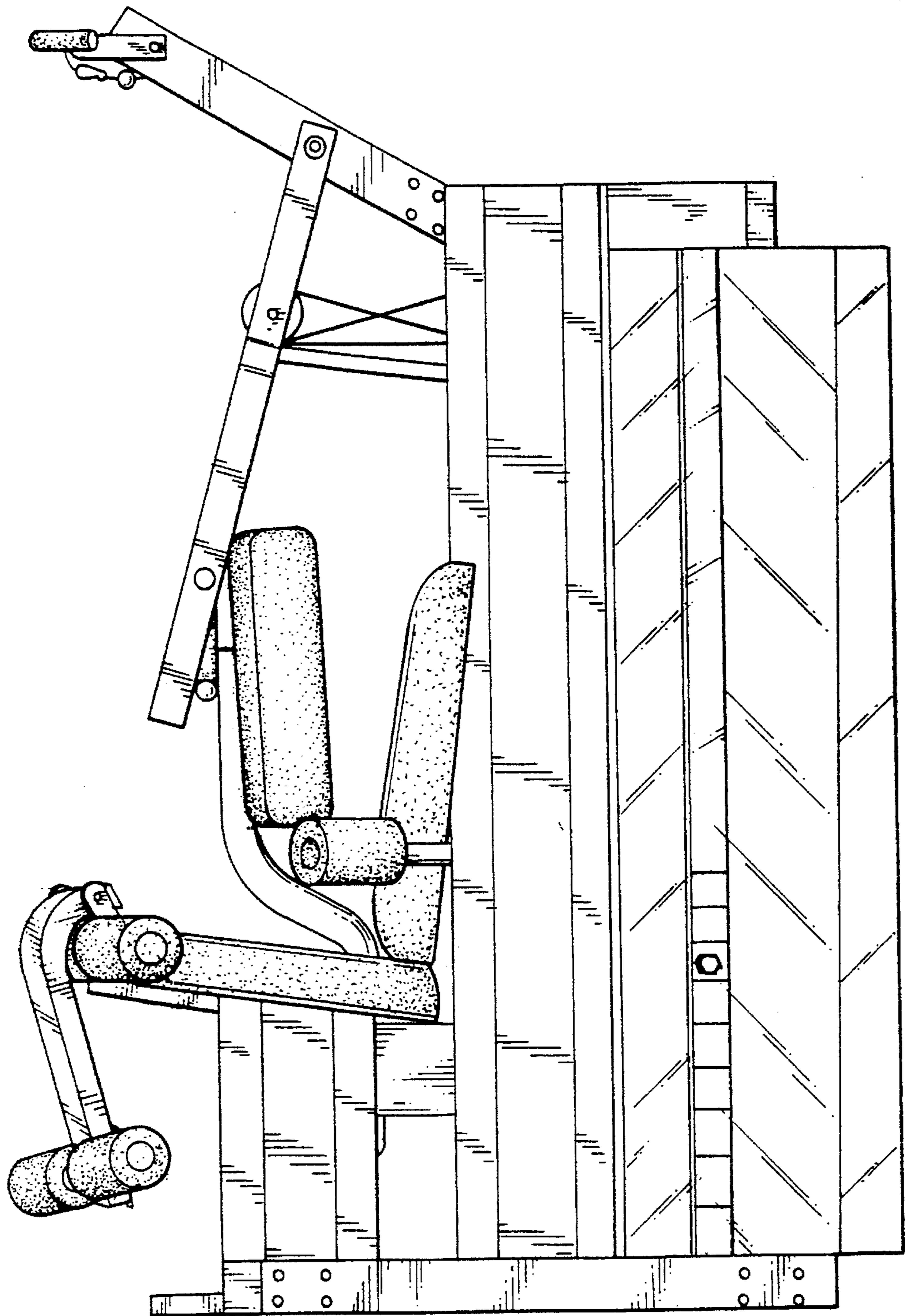


FIG. 3

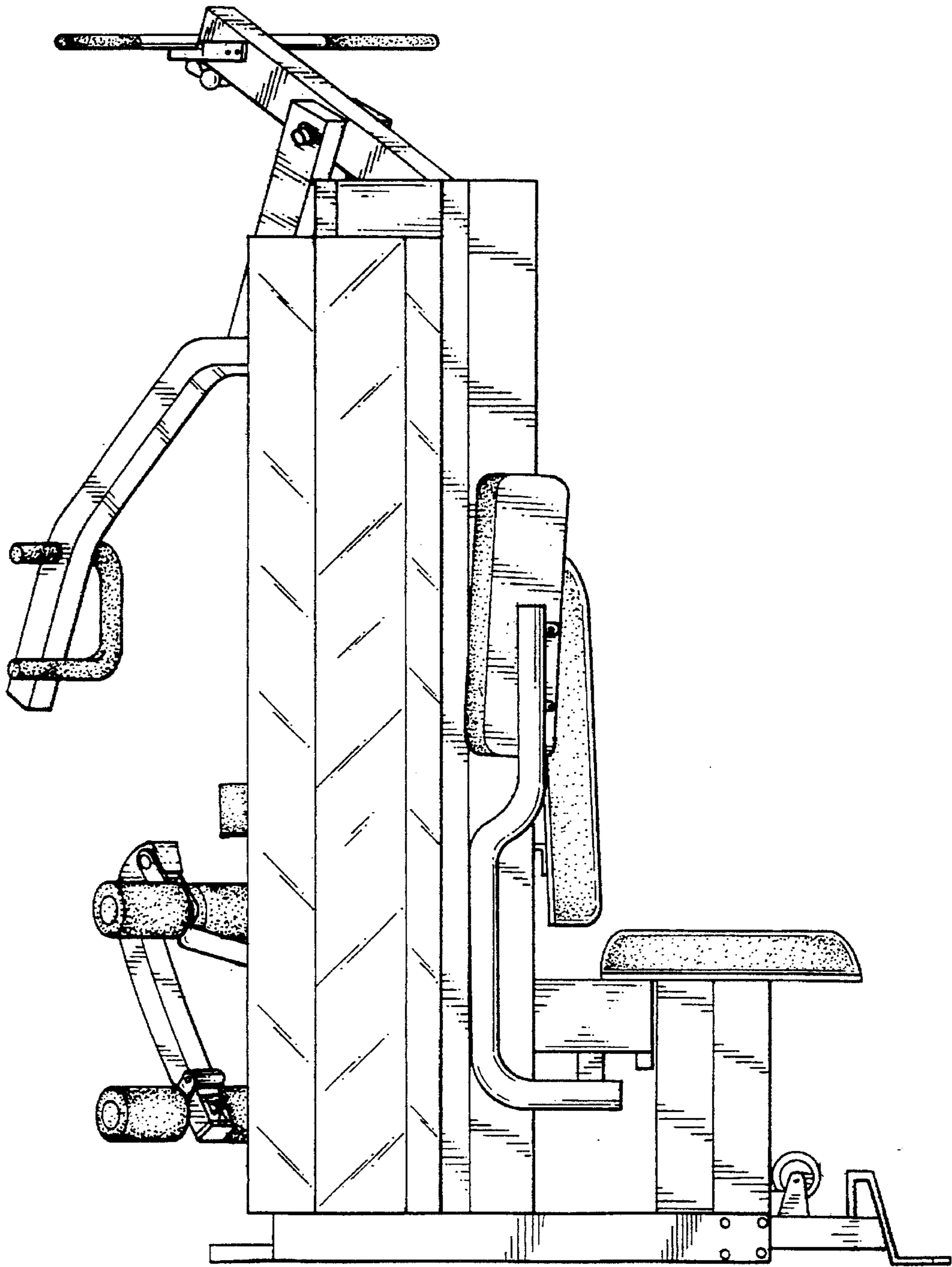


FIG. 4

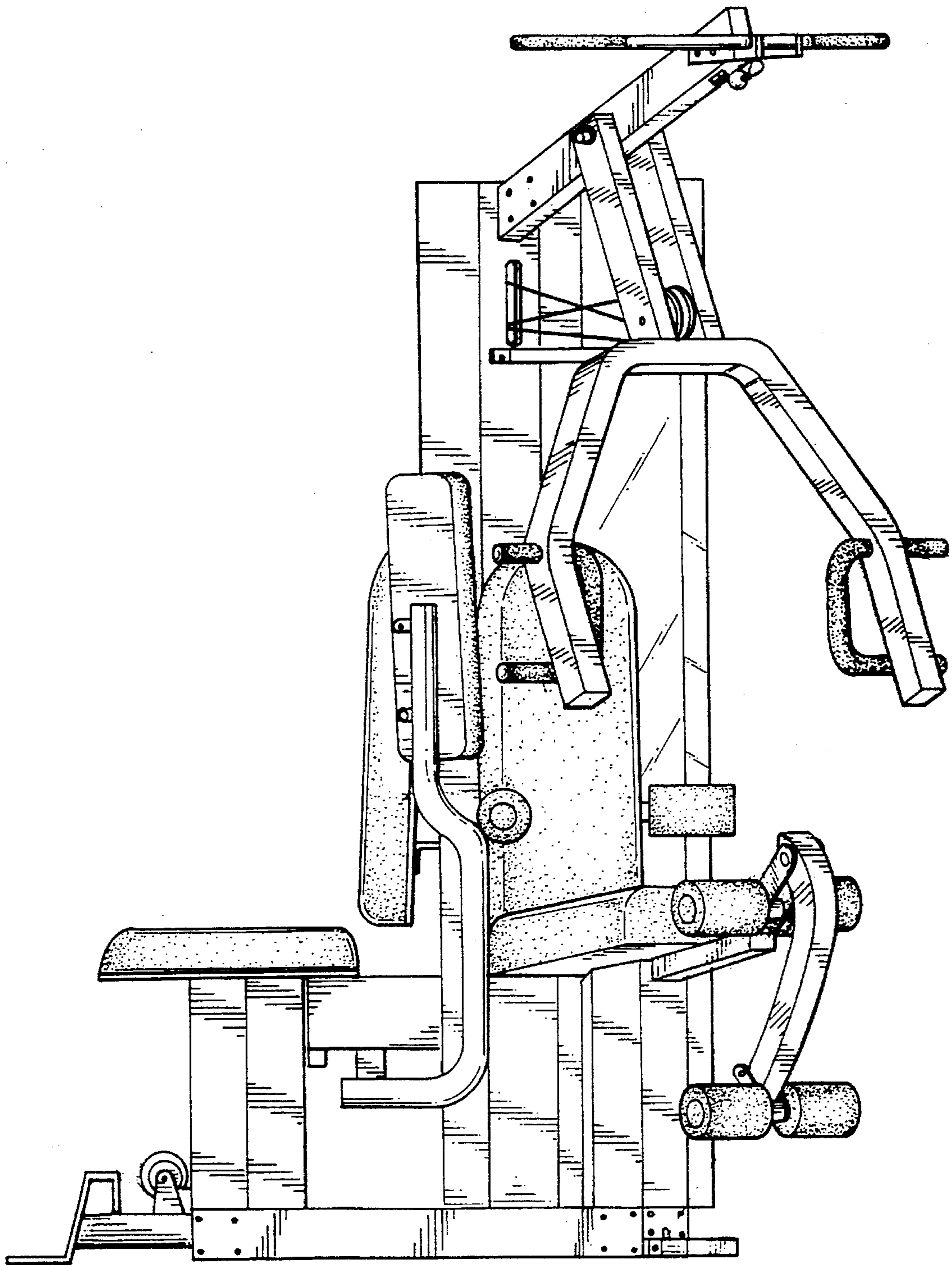
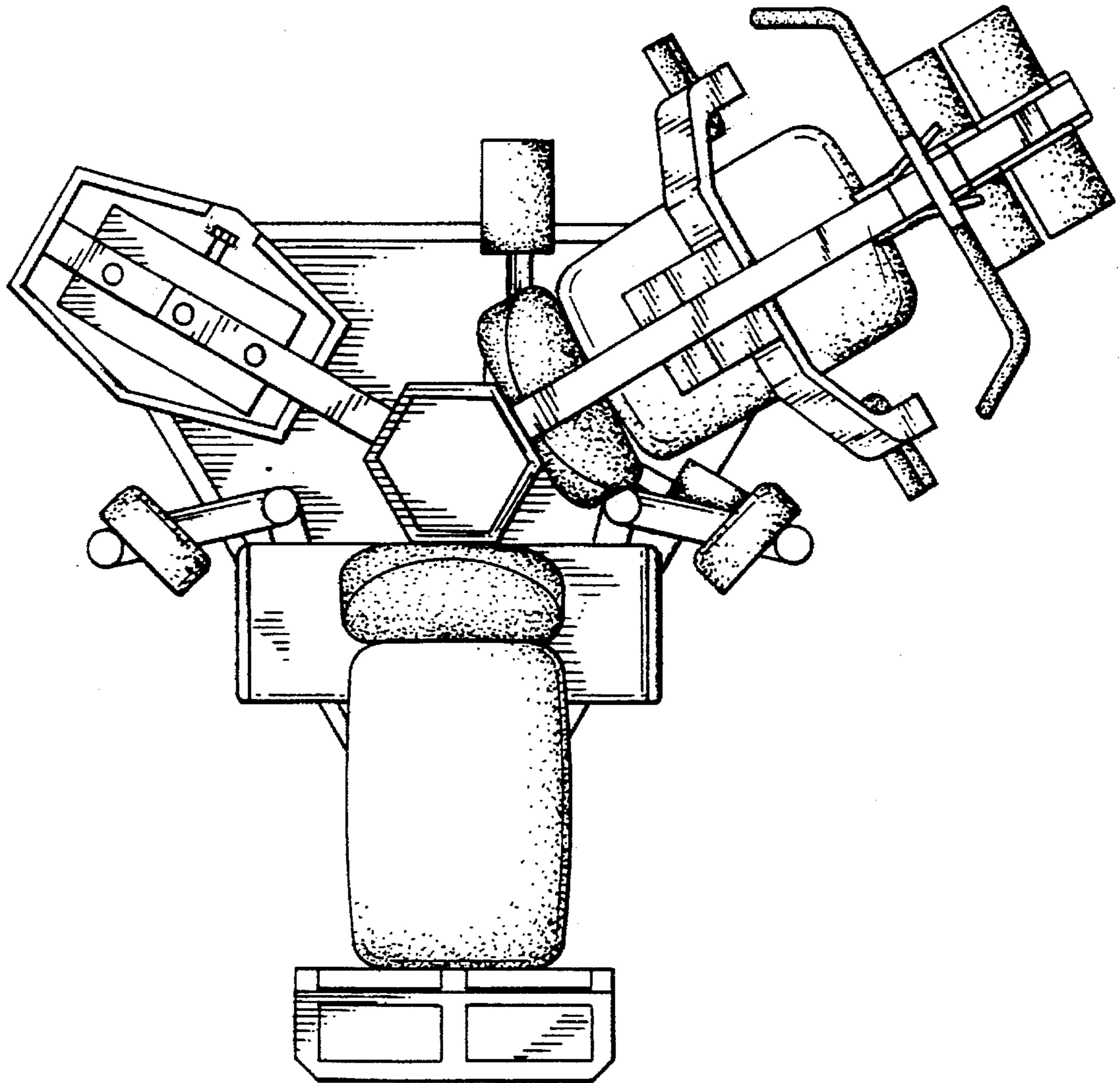


FIG. 5



*FIG. 6*

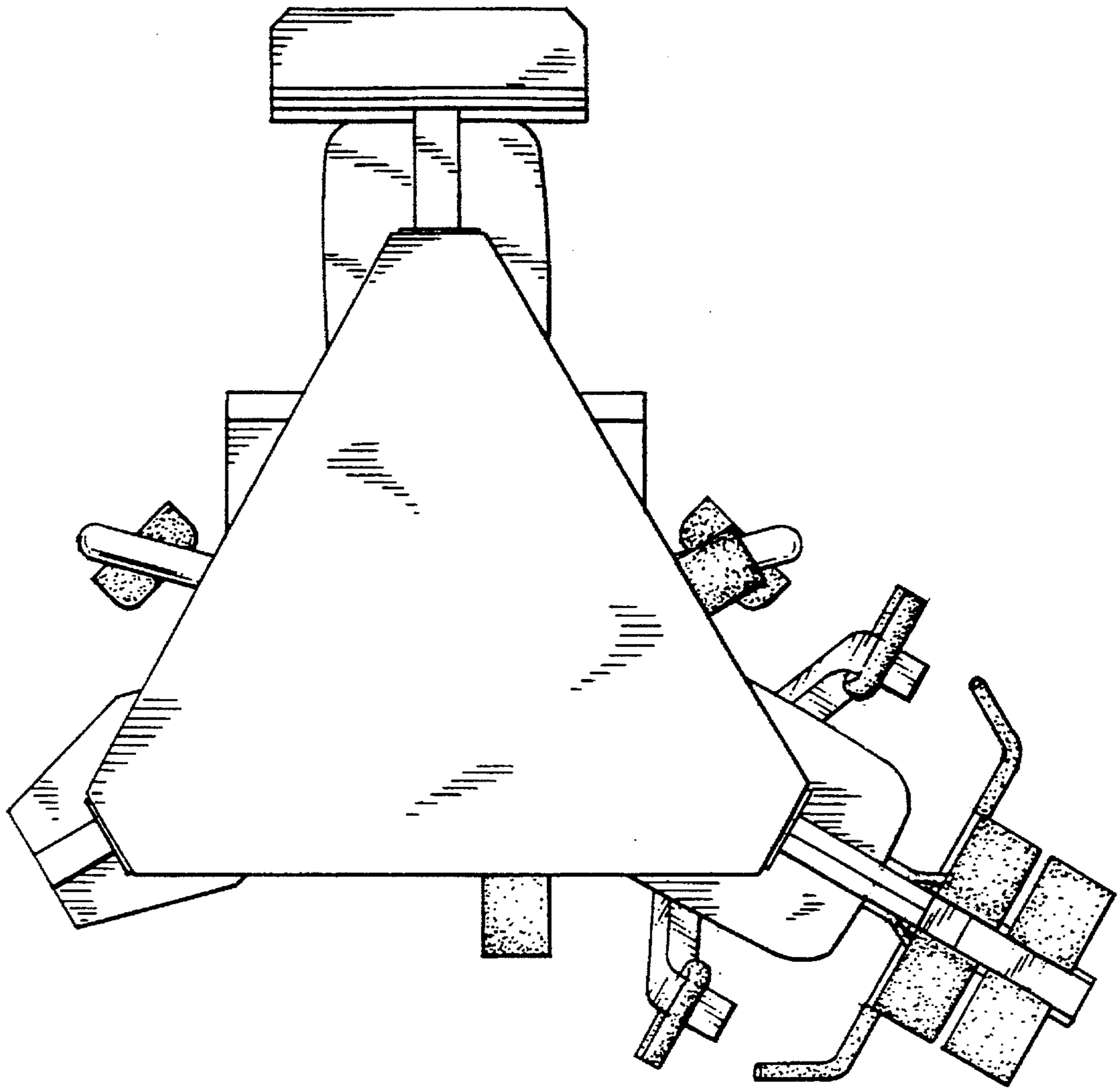


FIG. 7