



US00D367895S

# United States Patent [19]

[11] Patent Number: **Des. 367,895**

Goto

[45] Date of Patent: **\*\*Mar. 12, 1996**

[54] **GAME MACHINE**

*Attorney, Agent, or Firm*—Beveridge, DeGrandi, Weilacher & Young

[75] Inventor: **Teiyu Goto**, Tokyo, Japan

### [57] CLAIM

[73] Assignee: **Sony Corporation**, Tokyo, Japan

The original design for a game machine, as shown and described.

[\*\*] Term: **14 Years**

### DESCRIPTION

[21] Appl. No.: **30,012**

FIG. 1 is a perspective view of a game machine showing my new design;

[22] Filed: **Oct. 7, 1994**

FIG. 2 is a front elevational view thereof;

### [30] Foreign Application Priority Data

FIG. 3 is a rear elevational view thereof;

Apr. 11, 1994 [JP] Japan ..... 6-9791

FIG. 4 is a top plan view thereof;

[52] U.S. Cl. .... **D21/48**

FIG. 5 is a bottom plan view thereof;

[58] Field of Search ..... D21/48, 13, 1;  
273/148 B, 433-438, DIG. 28; D14/124,  
125, 217

FIG. 6 is a left side elevational view thereof;

FIG. 7 is a right side elevational view thereof;

FIG. 8 is a perspective view thereof shown in an open position;

### [56] References Cited

FIG. 9 is a perspective view of a second embodiment of FIG. 1;

#### U.S. PATENT DOCUMENTS

D. 319,823 9/1991 Kojo ..... D14/114

FIG. 10 is a front elevational view of FIG. 9;

D. 330,370 10/1992 Tseng ..... D14/114

FIG. 11 is a rear elevational view of FIG. 9;

D. 332,804 1/1993 Li ..... D21/13

FIG. 12 is a top plan view of FIG. 9; and,

D. 349,520 8/1994 Iwakami ..... D21/13

FIG. 13 is a perspective view of FIG. 9 shown in an open position.

5,112,051 5/1992 Darling et al. .... 273/148 B

#### OTHER PUBLICATIONS

Hongkong Enterprise, Oct. 1992, p. 269.

Hongkong Enterprise, Oct. 1992, p. 174.

The bottom, left and right views of the second embodiment (FIG. 9) are same as that of the first embodiment as shown in FIGS. 5, 6 and 7 inclusive.

*Primary Examiner*—Prabhakar G. Deshmukh

**1 Claim, 5 Drawing Sheets**

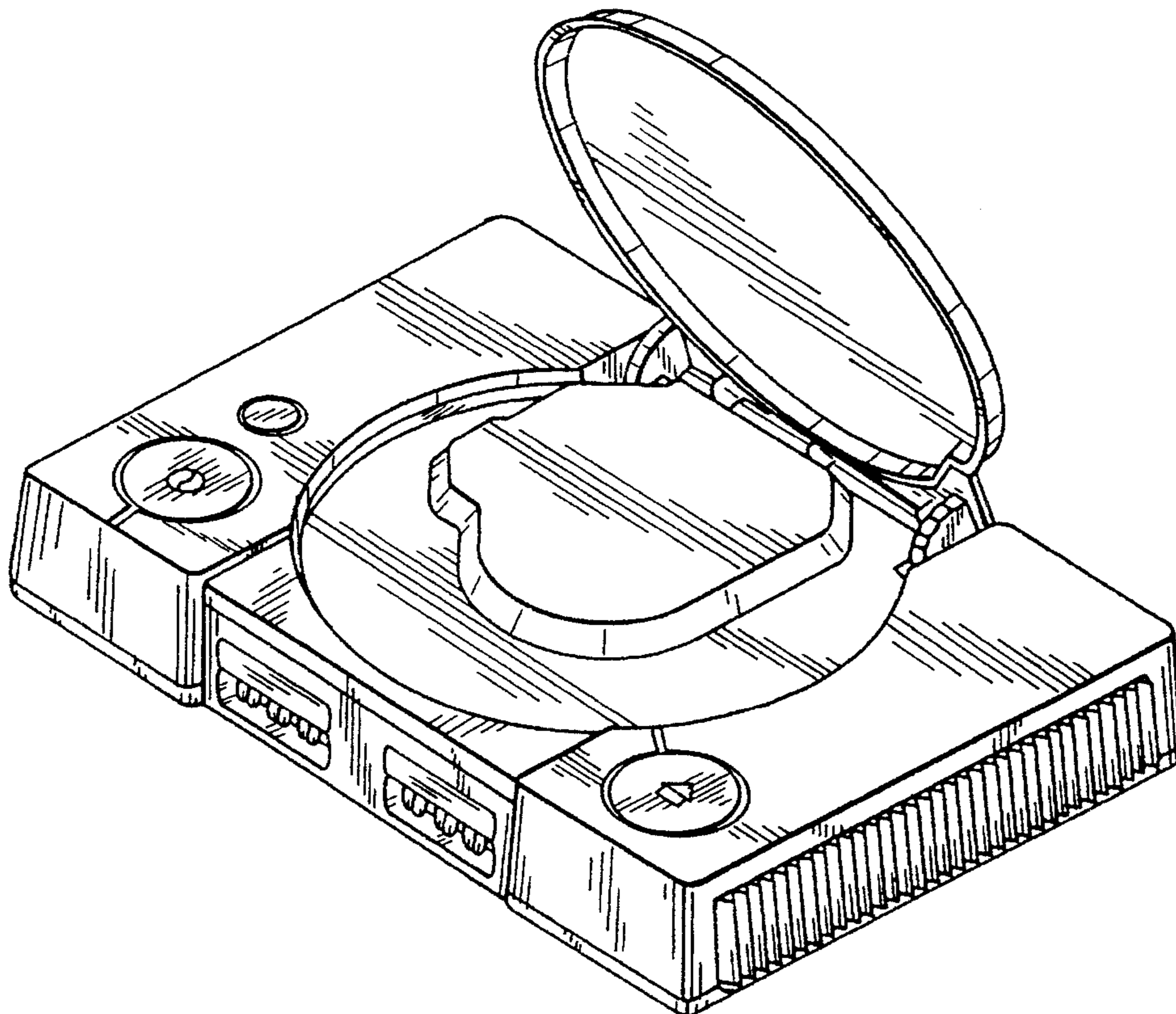


FIG. 1

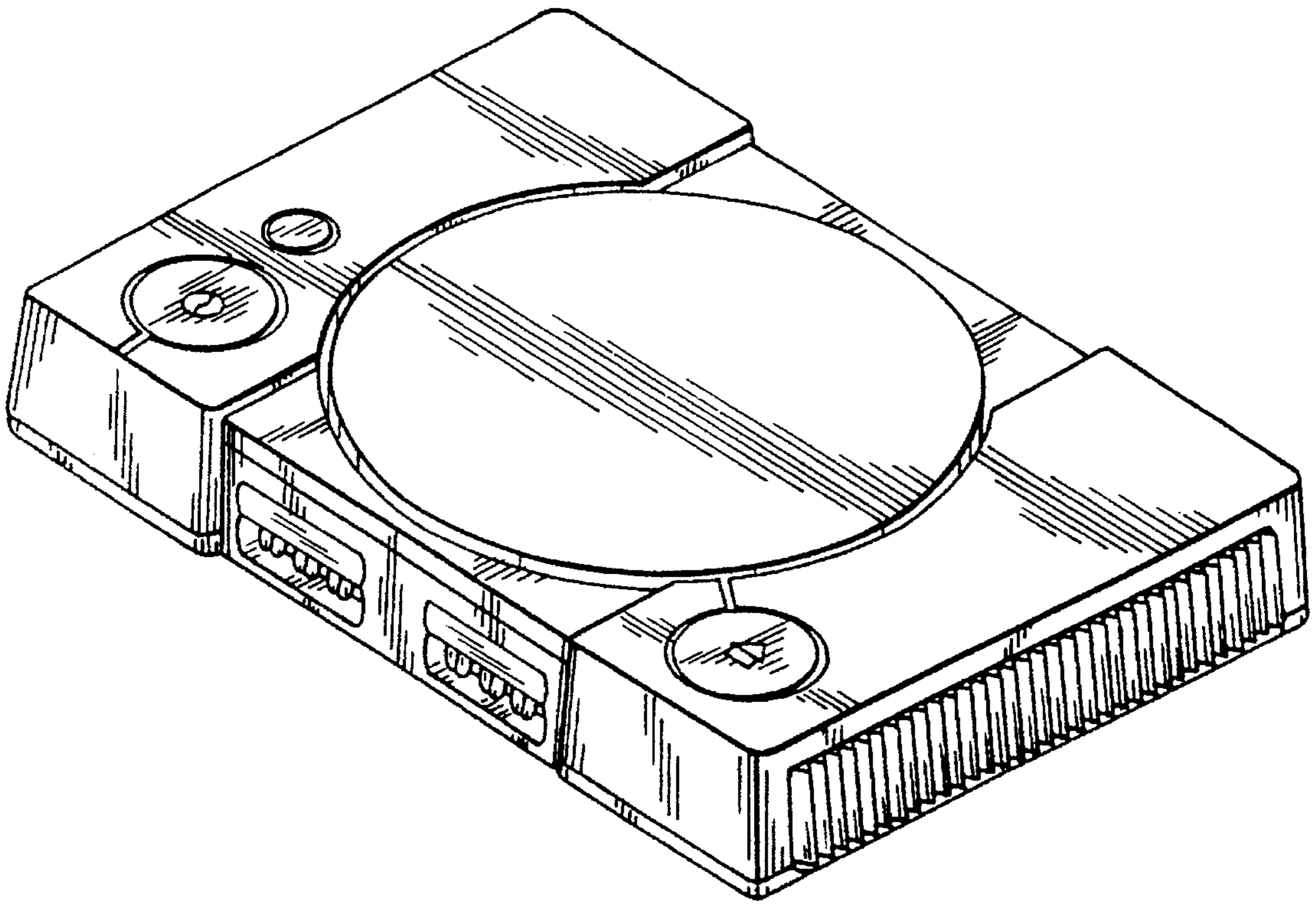


FIG. 2

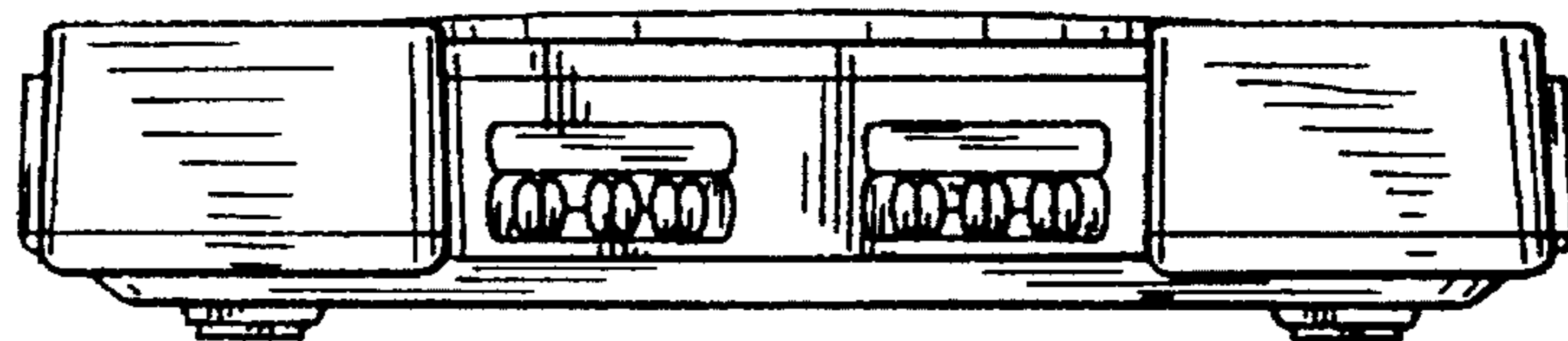


FIG. 3

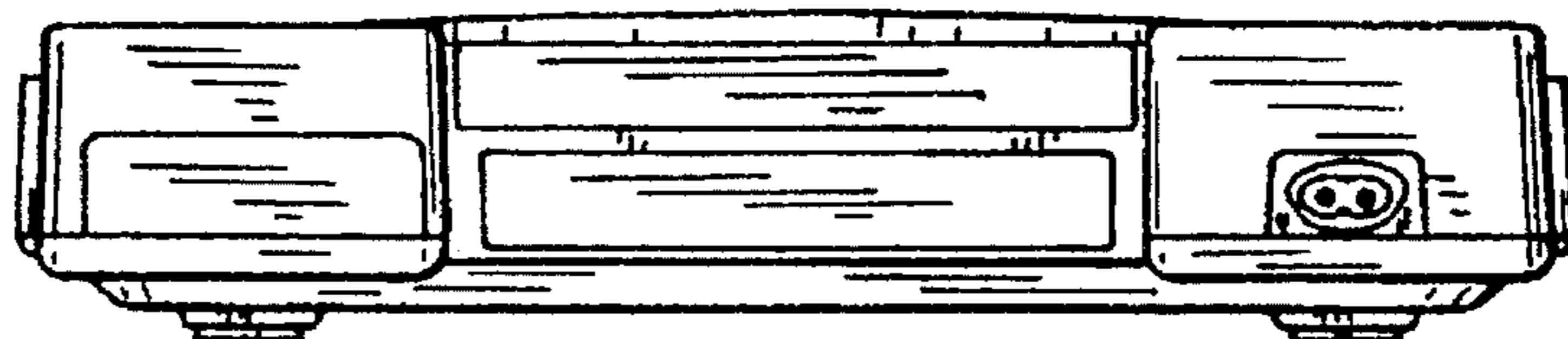


FIG. 4

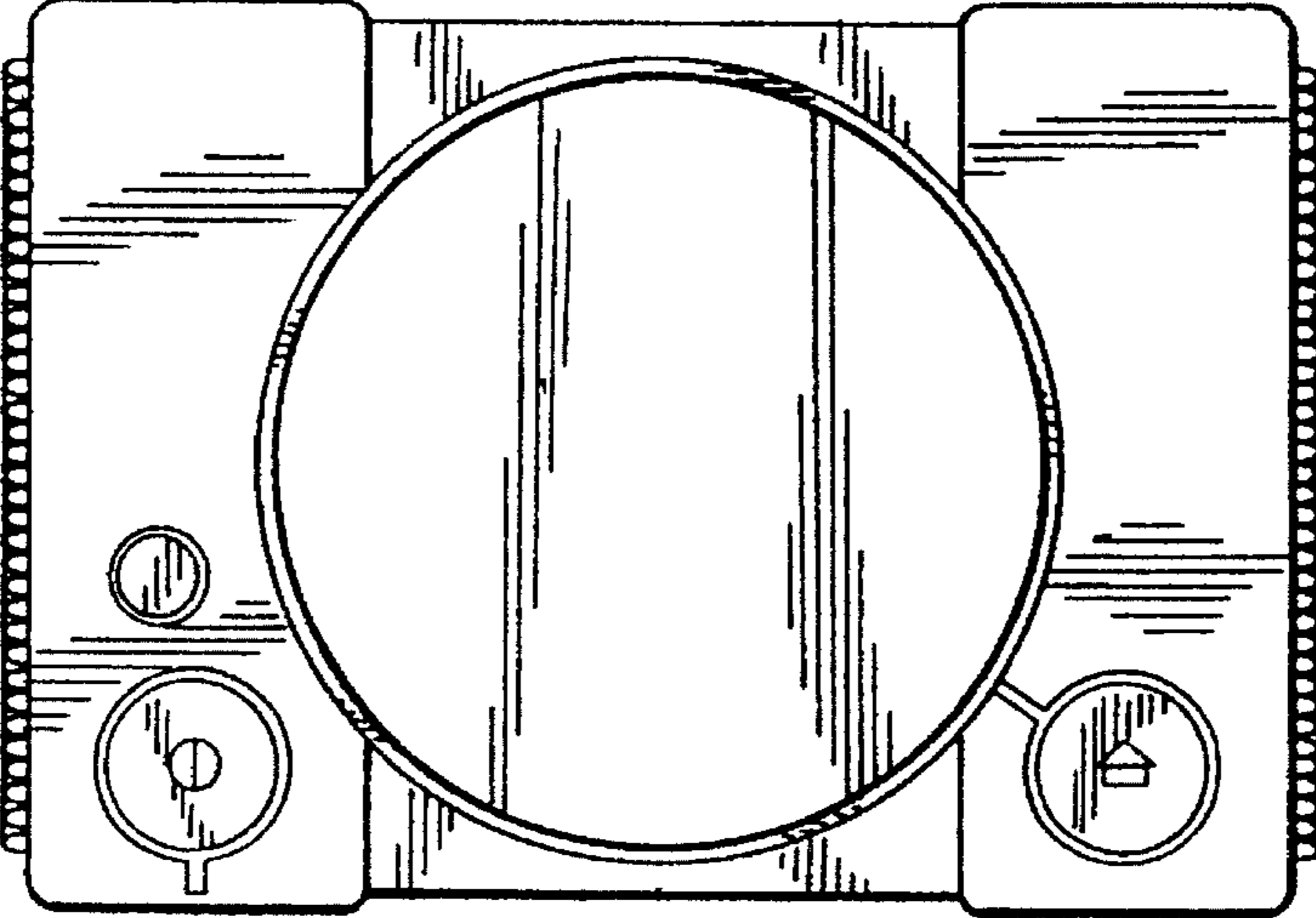


FIG. 5

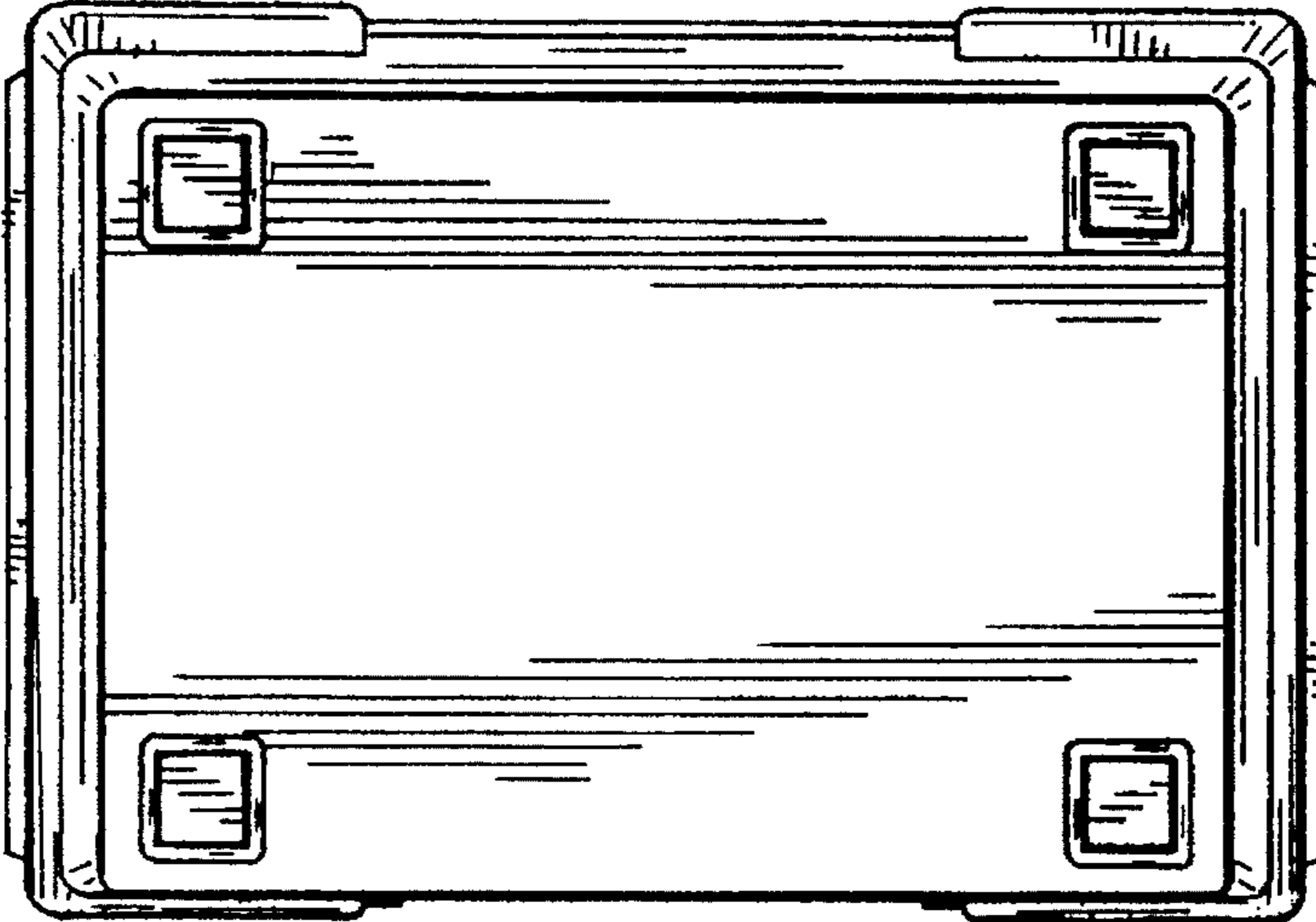


FIG. 6

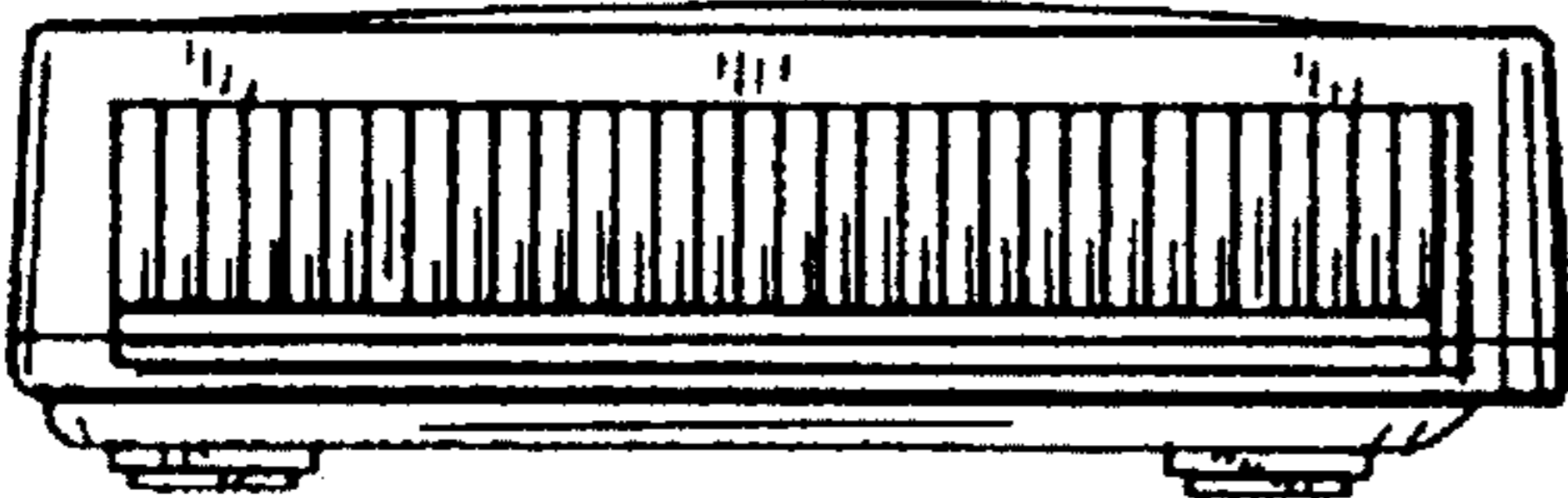


FIG. 7

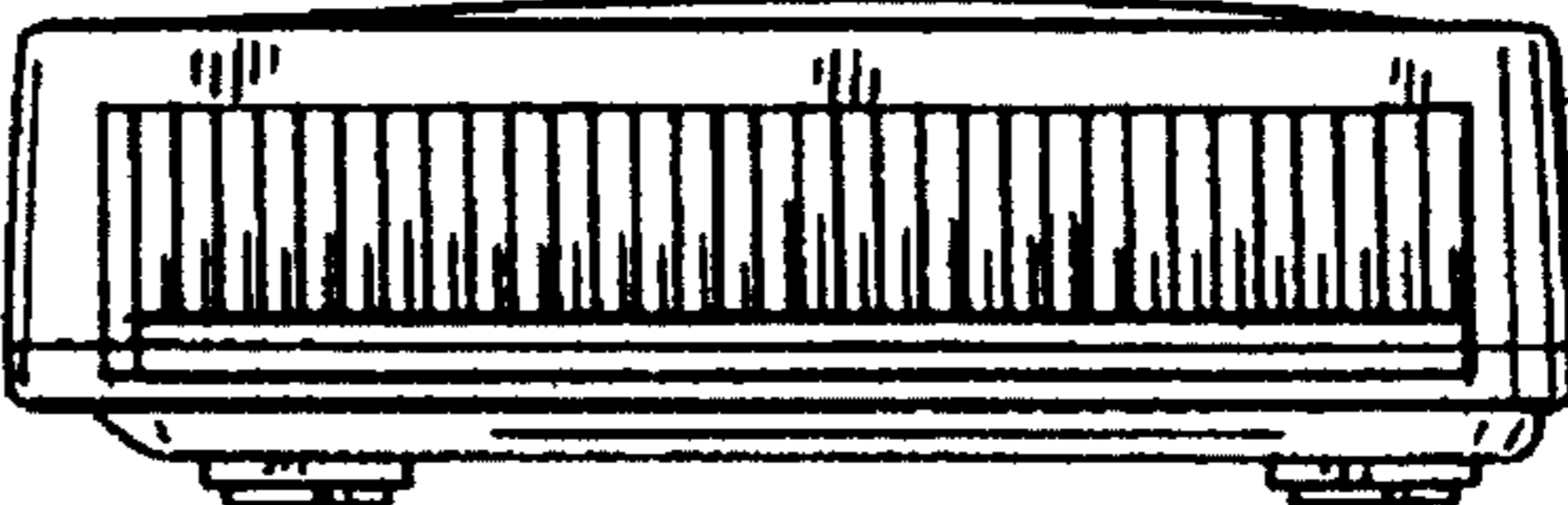


FIG. 8

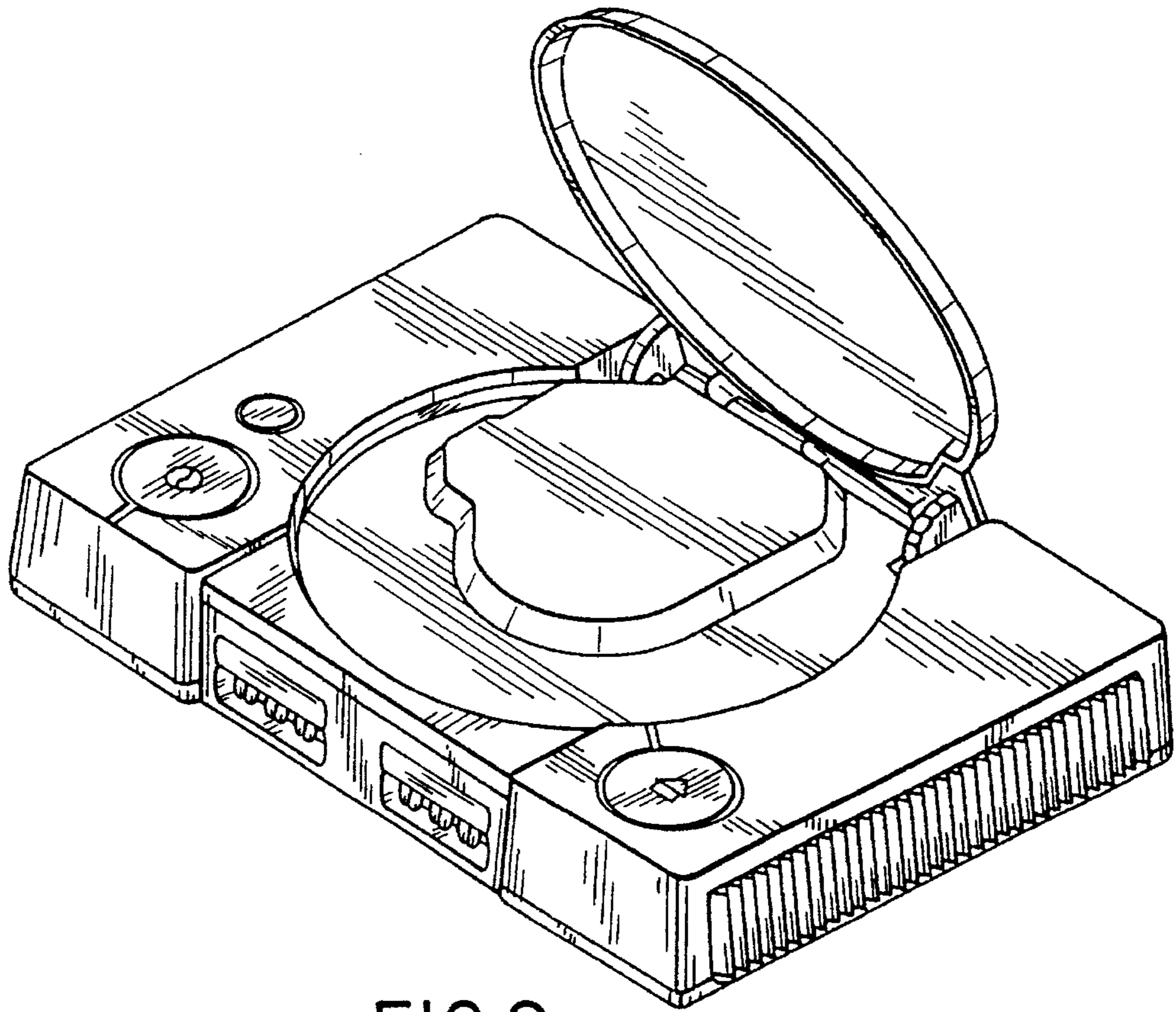


FIG. 9

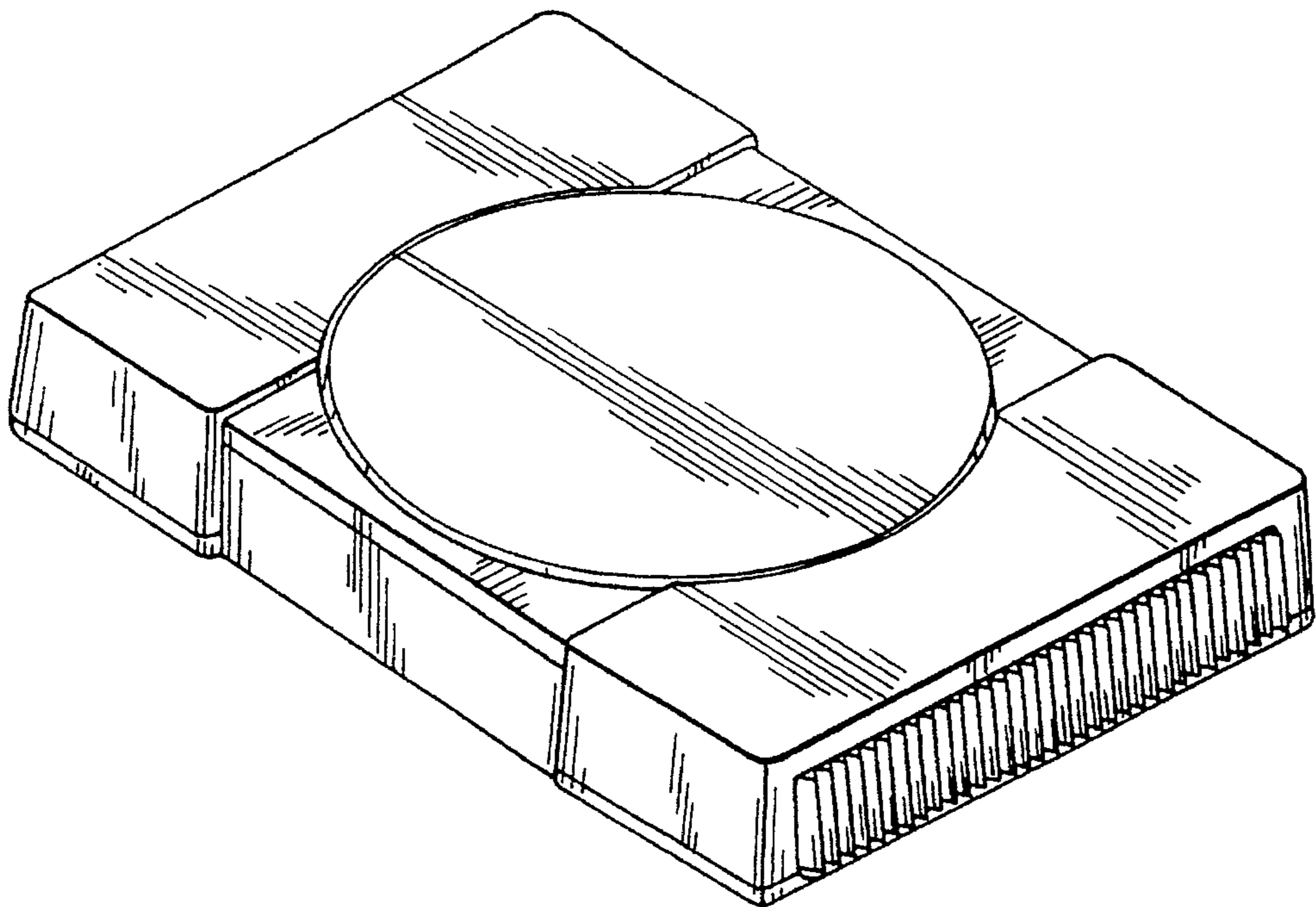


FIG. 10

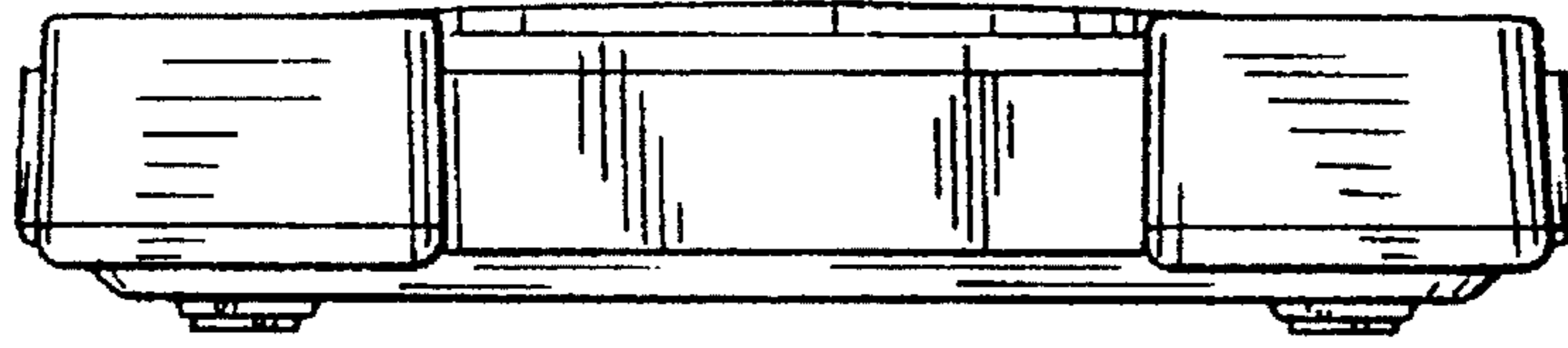


FIG. 11

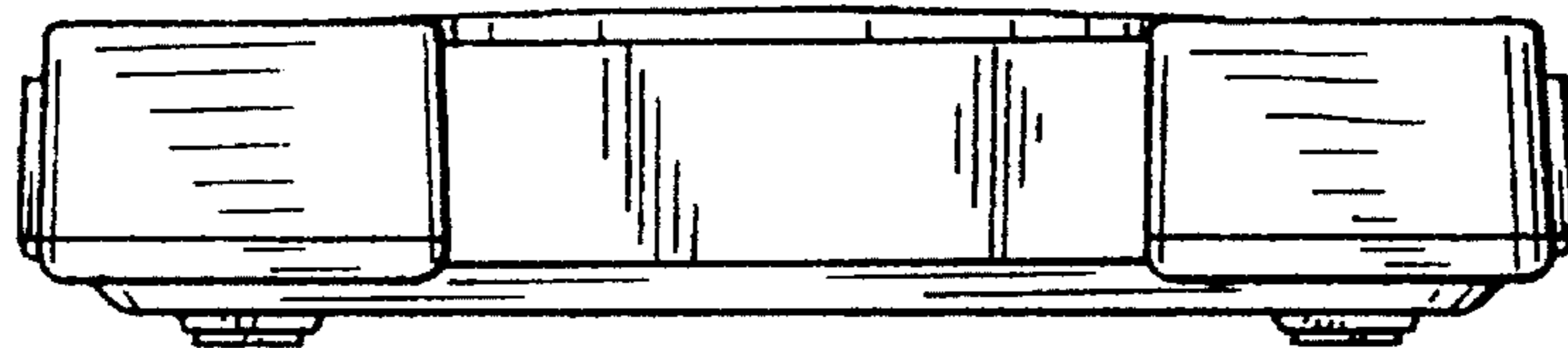


FIG. 12

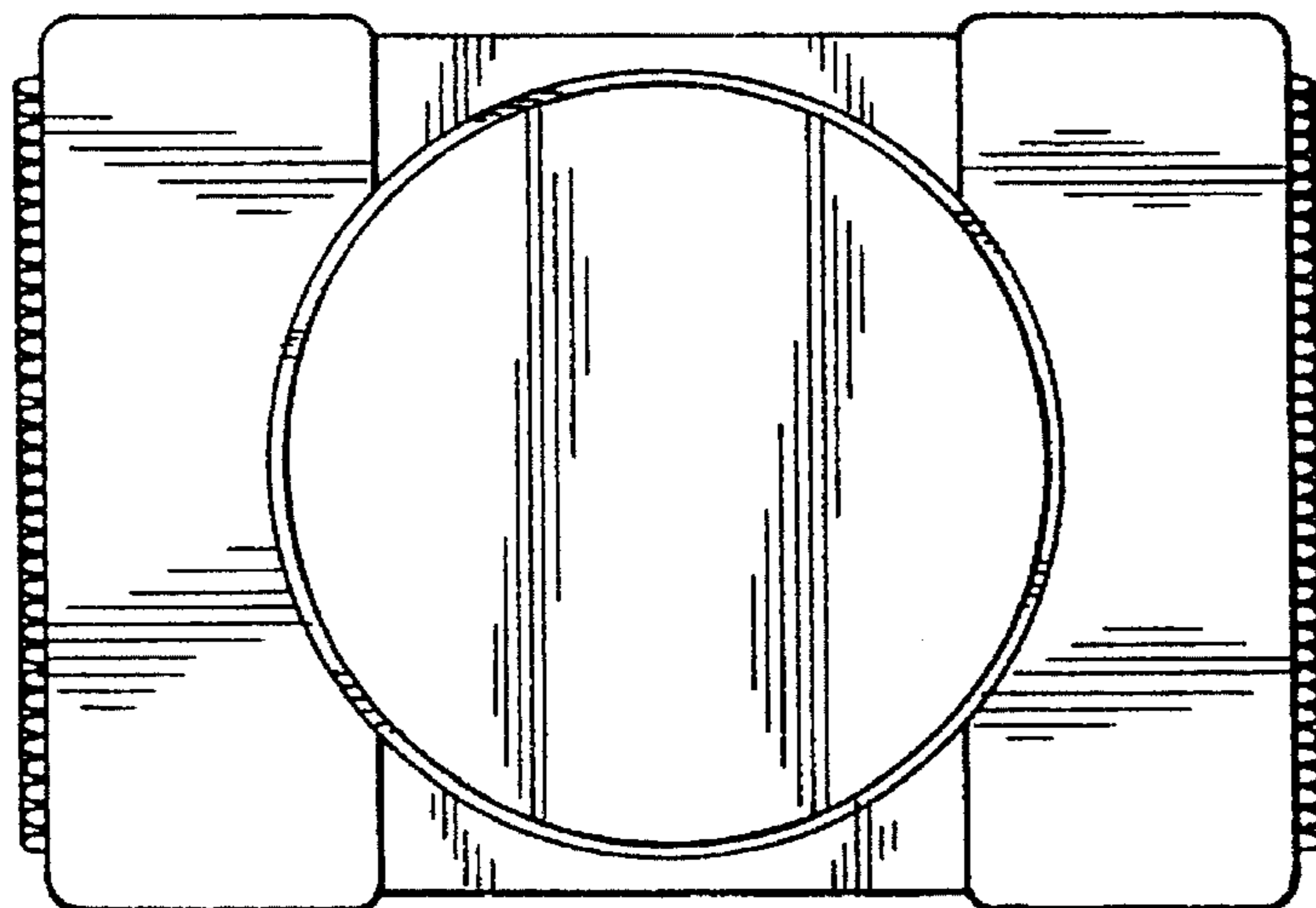


FIG. 13

