



US00D367894S

United States Patent [19] Monger

[11] Patent Number: **Des. 367,894**

[45] Date of Patent: ****Mar. 12, 1996**

[54] **GAME BOARD**

[76] Inventor: **Nathan Monger**, P.O. Box 423,
Roseburg, Oreg. 97470

[**] Term: **14 Years**

[21] Appl. No.: **33,849**

[22] Filed: **Jan. 23, 1995**

[52] U.S. Cl. **D21/35; D21/34**

[58] Field of Search **D21/14-36; 273/236-285**

D. 188,548	8/1960	Chalcroft	D21/34
D. 221,876	9/1971	Kelly	D21/30
D. 270,922	10/1983	Astergard	D21/34
1,419,074	6/1922	Philo et al.	273/251
4,907,809	3/1990	Nakayama et al.	273/242

Primary Examiner—Sandra L. Morris
Attorney, Agent, or Firm—Harold H. Dutton, Jr.

[57] **CLAIM**

The design for a game board, as shown.

DESCRIPTION

FIG. 1 is a top plan view of a game board showing my new design; and,

FIG. 2 is a bottom plan view thereof.

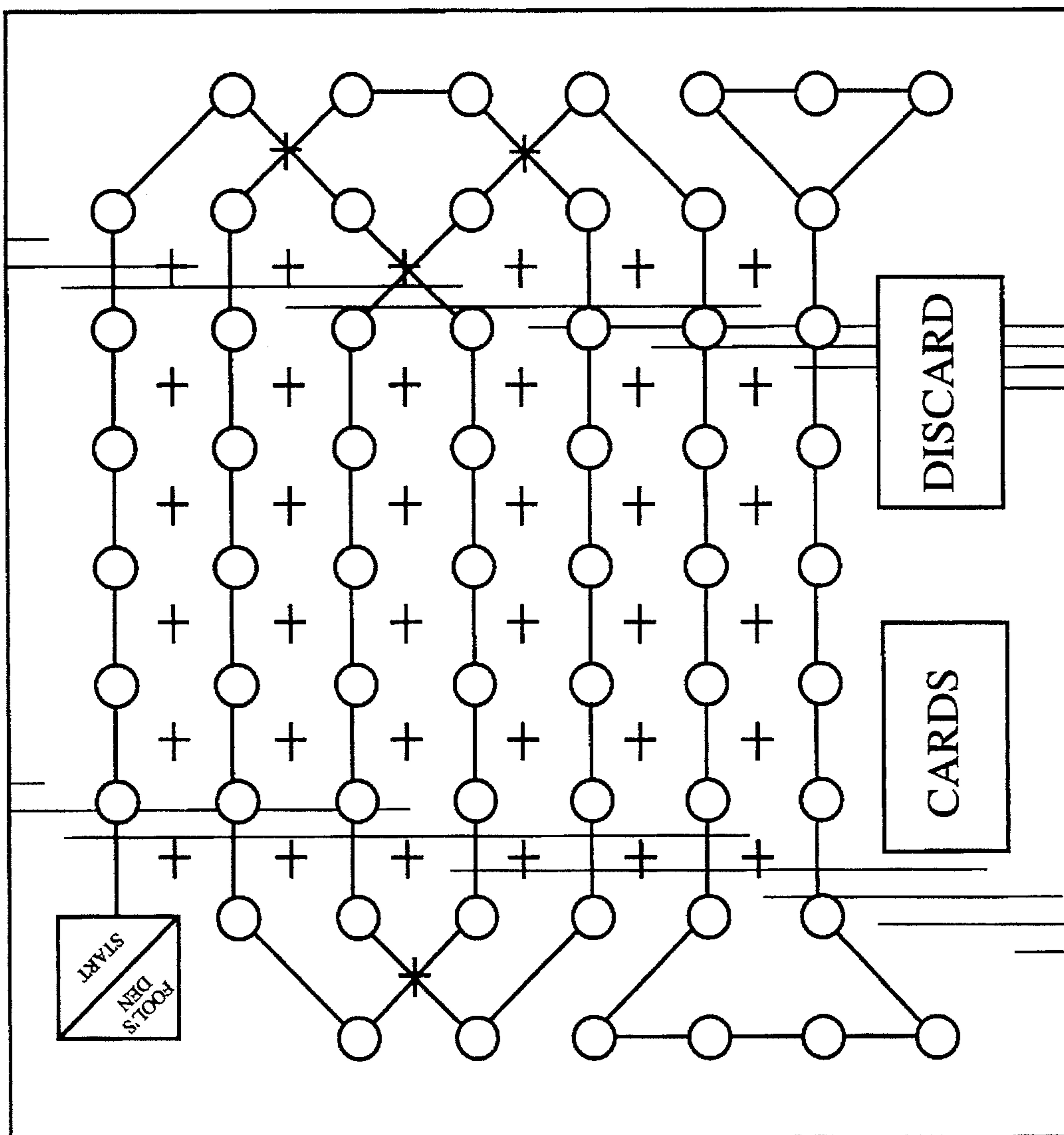
The board is of conventional thickness, with no design component.

1 Claim, 2 Drawing Sheets

[56] **References Cited**

U.S. PATENT DOCUMENTS

D. 124,909	1/1941	Walker	D21/17
D. 136,781	12/1943	Hagan	D21/34
D. 139,598	12/1944	Schumacher	D21/34
D. 146,203	1/1947	Voellmy	D21/34
D. 173,244	10/1954	Shalkhauser	D21/34



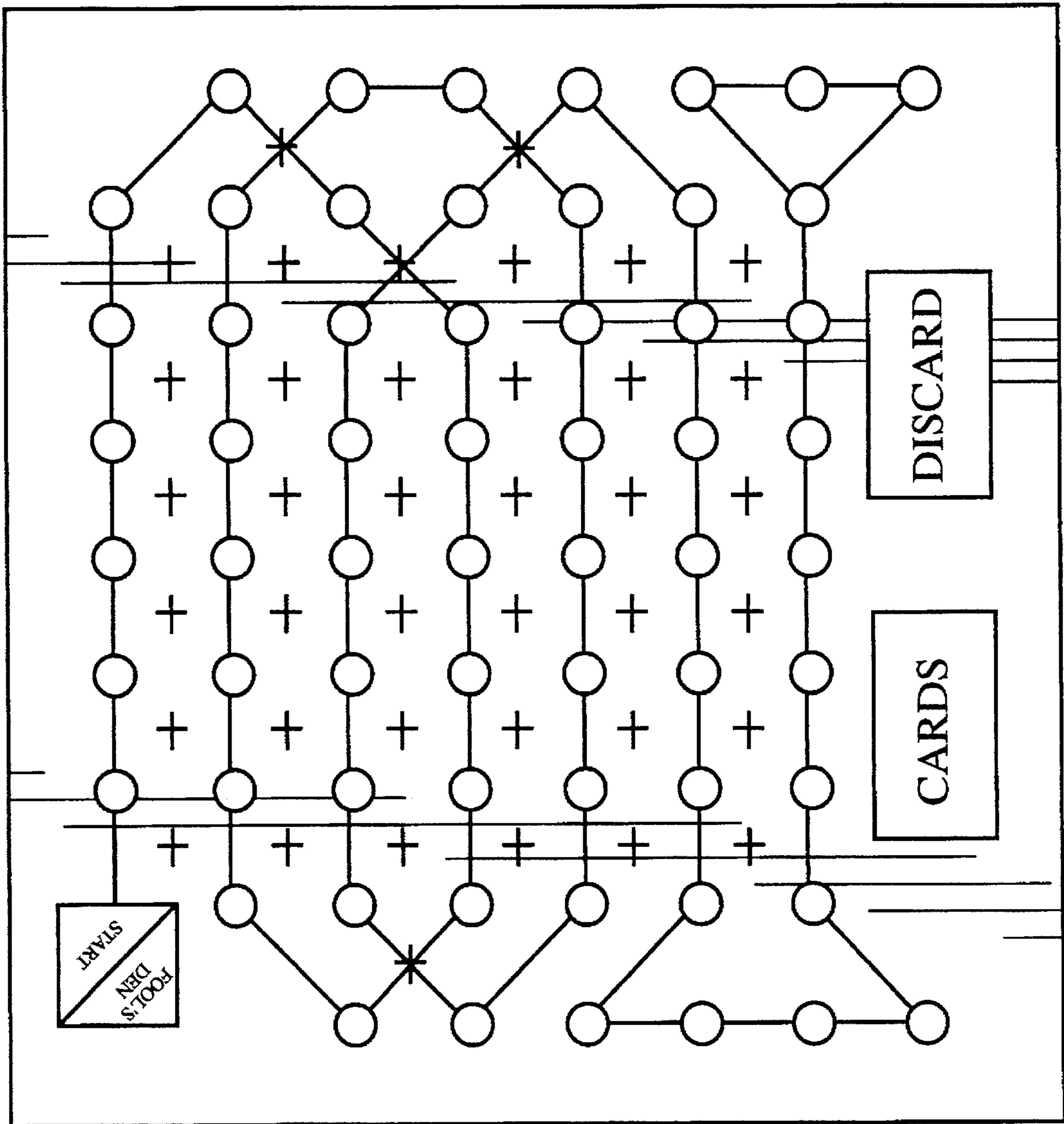


FIG. 1

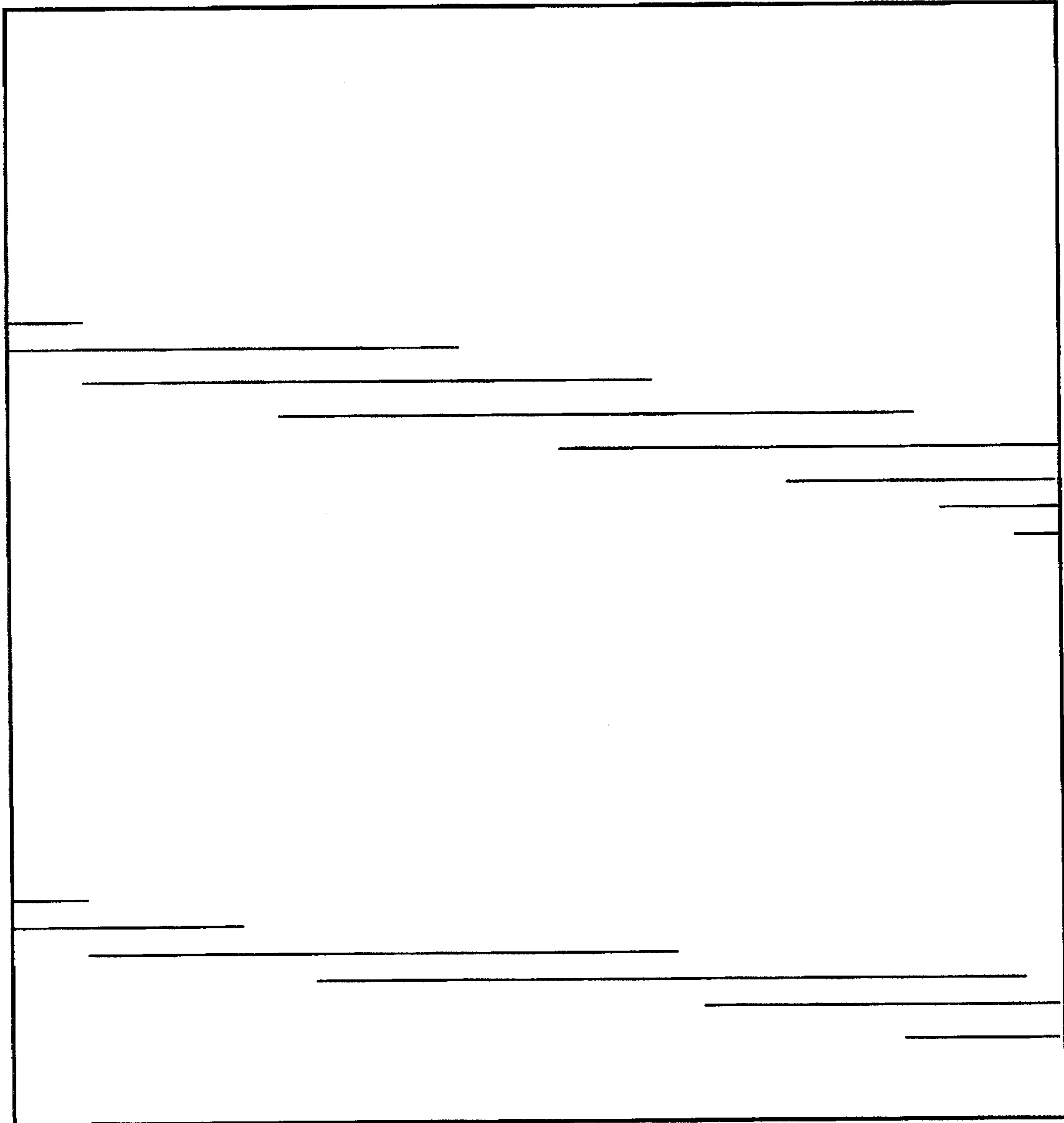


FIG. 2