



US00D367890S

United States Patent [19] Osterhout

[11] Patent Number: **Des. 367,890**

[45] Date of Patent: ****Mar. 12, 1996**

[54] **HAND-HELD ELECTRONIC GAME HOUSING**

5,184,830 2/1993 Okada et al. D21/13 X
5,213,327 5/1993 Kitaue 273/148 B

[75] Inventor: **Ralph F. Osterhout**, San Francisco, Calif.

[73] Assignee: **Tiger Electronics, Inc.**, Vernon Hills, Ill.

[**] Term: **14 Years**

[21] Appl. No.: **33,638**

[22] Filed: **Jan. 17, 1995**

[52] U.S. Cl. **D21/13**

[58] Field of Search D21/13, 48, 1;
273/148 B, 433-438, DIG. 28; 214/124,
125, 217

[56] **References Cited**

U.S. PATENT DOCUMENTS

- D. 334,218 3/1993 Lee D21/13
- D. 342,762 12/1993 Wine D21/48
- D. 353,631 12/1994 Dudley et al. D21/13
- D. 355,644 2/1995 Risko D21/13 X

OTHER PUBLICATIONS

Play Things, Apr.-1979, p. 28.
Hong Kong Enterprise, 1984, p. 28.

Primary Examiner—Prabhakar G. Deshmukh
Attorney, Agent, or Firm—Fitch, Even, Tabin & Flannery

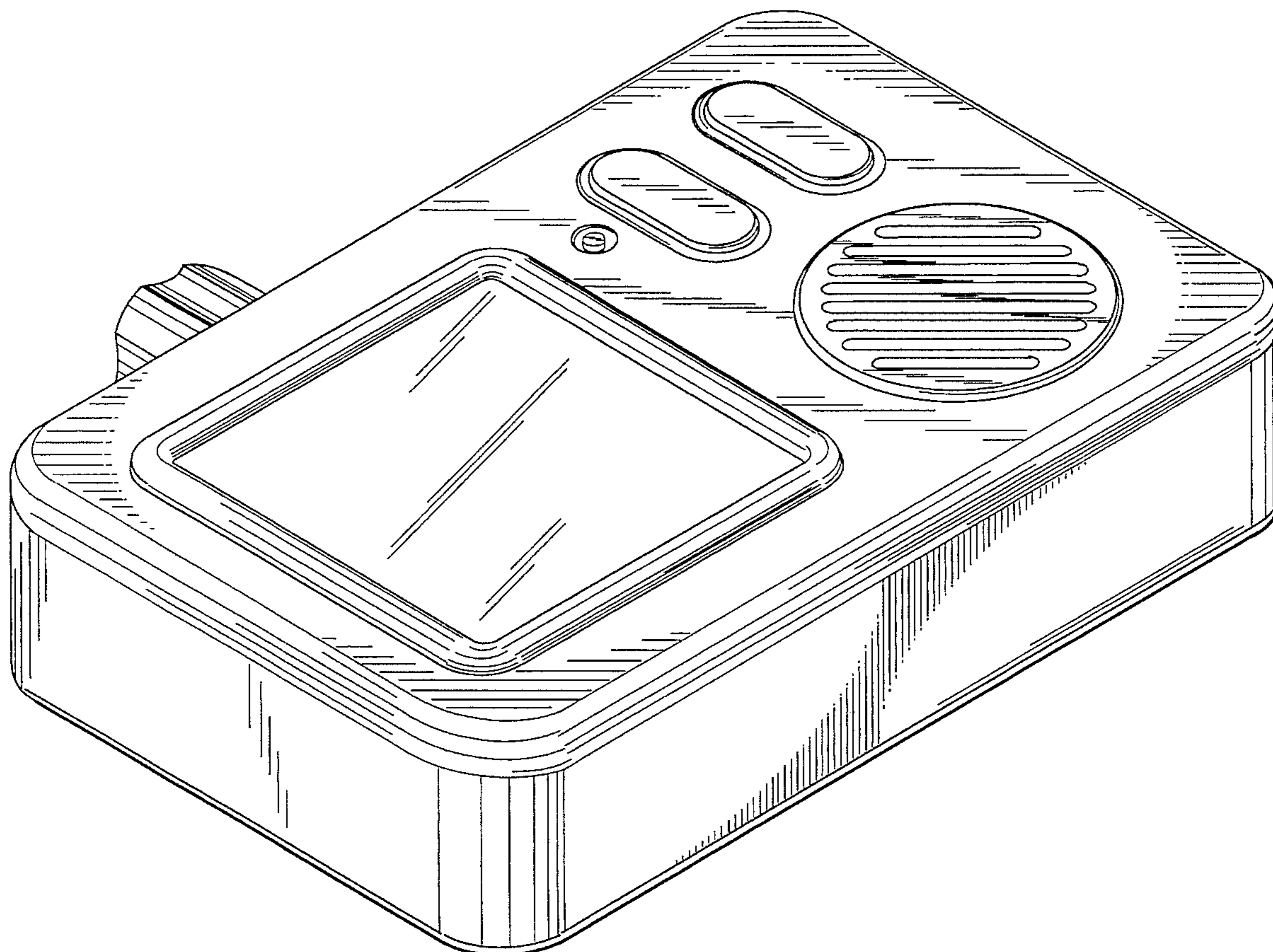
[57] **CLAIM**

The ornamental design for the hand-held electronic game housing, as shown and described.

DESCRIPTION

FIG. 1 is a perspective view of a hand-held electronic game housing showing my new design; FIG. 2 is a top plan view thereof; FIG. 3 is a bottom plan view thereof; FIG. 4 is a left side elevational view thereof; FIG. 5 is a right side elevational view thereof; FIG. 6 is a front elevational view thereof; and FIG. 7 is a rear elevational view thereof.

1 Claim, 4 Drawing Sheets



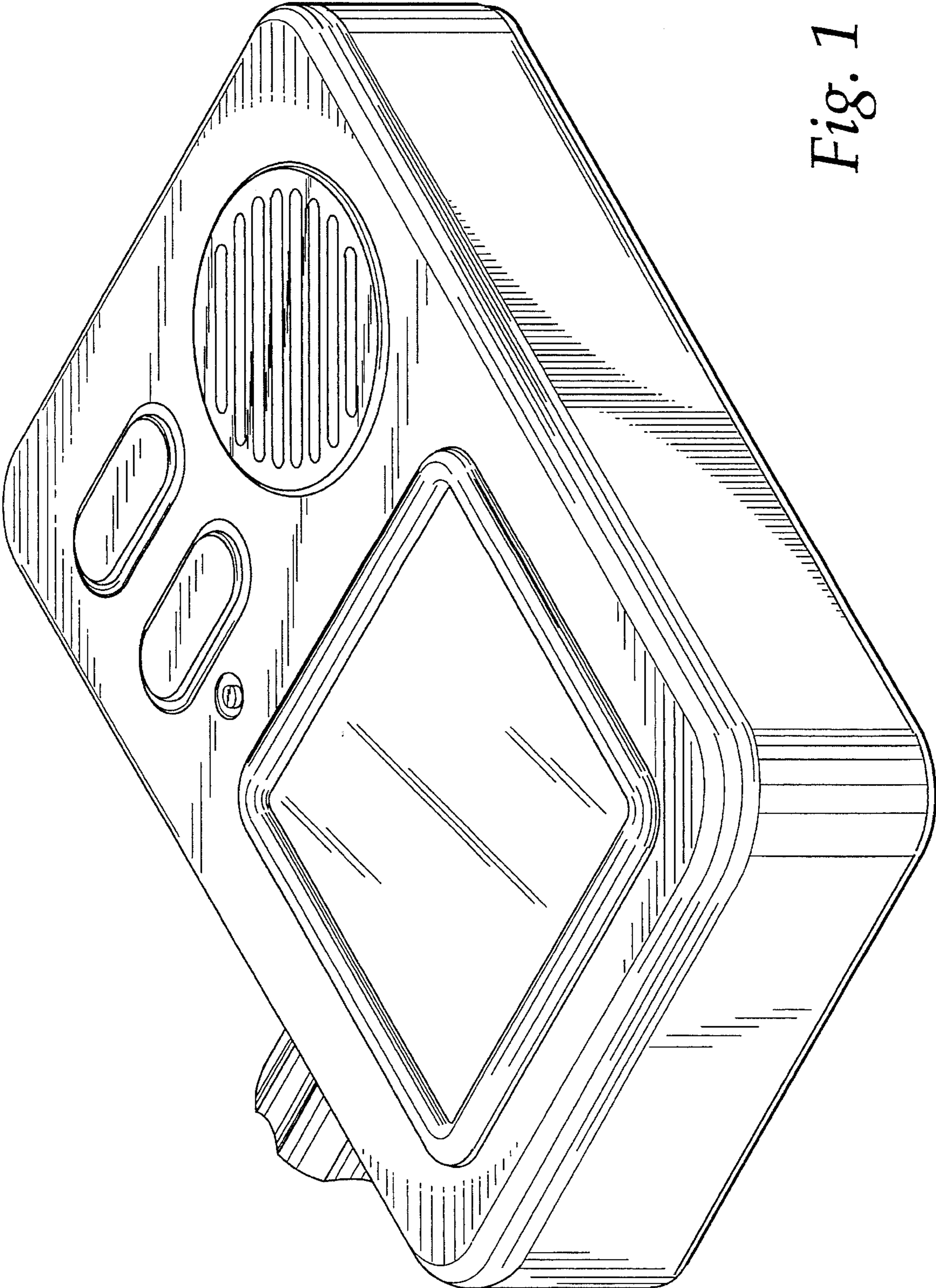


Fig. 1

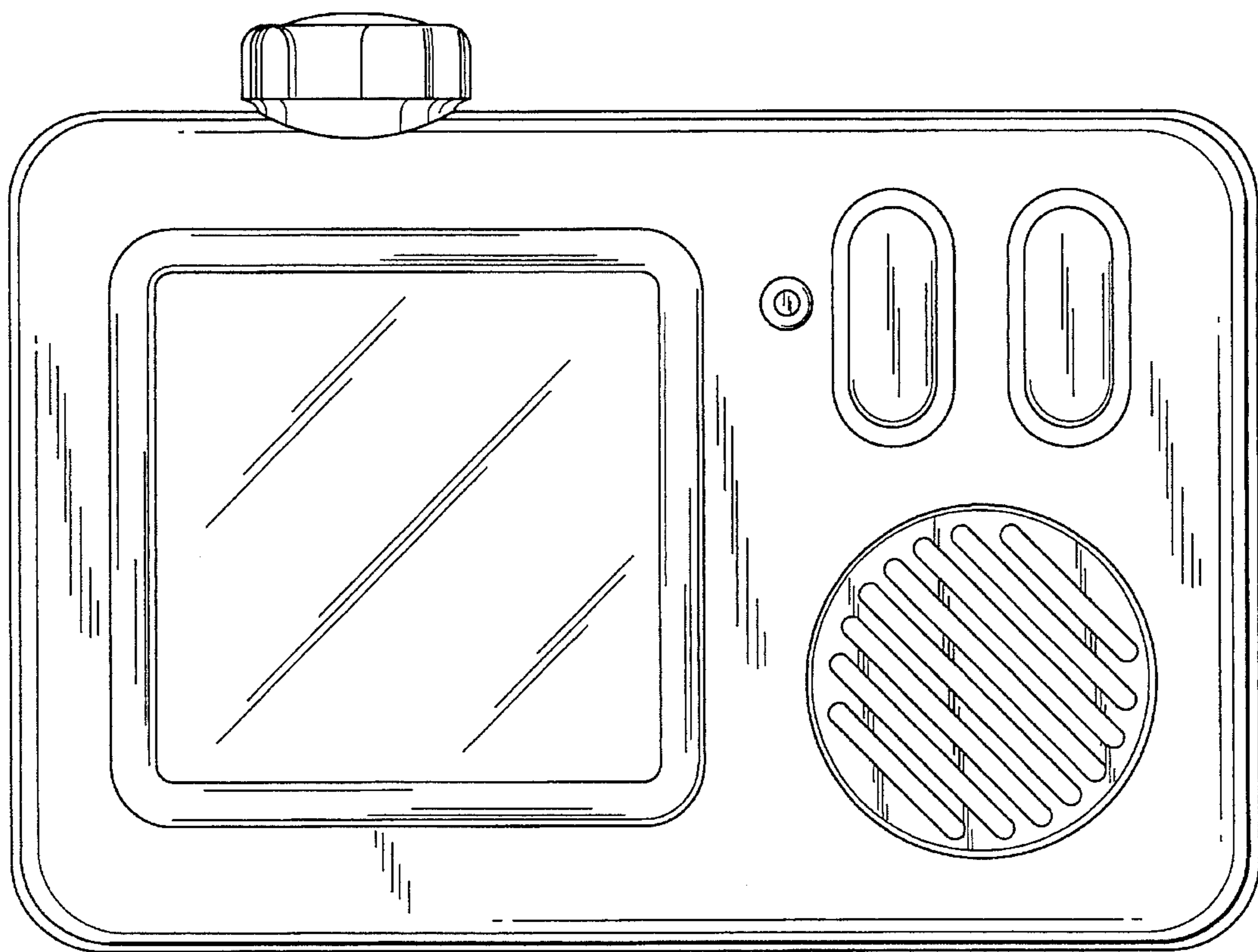
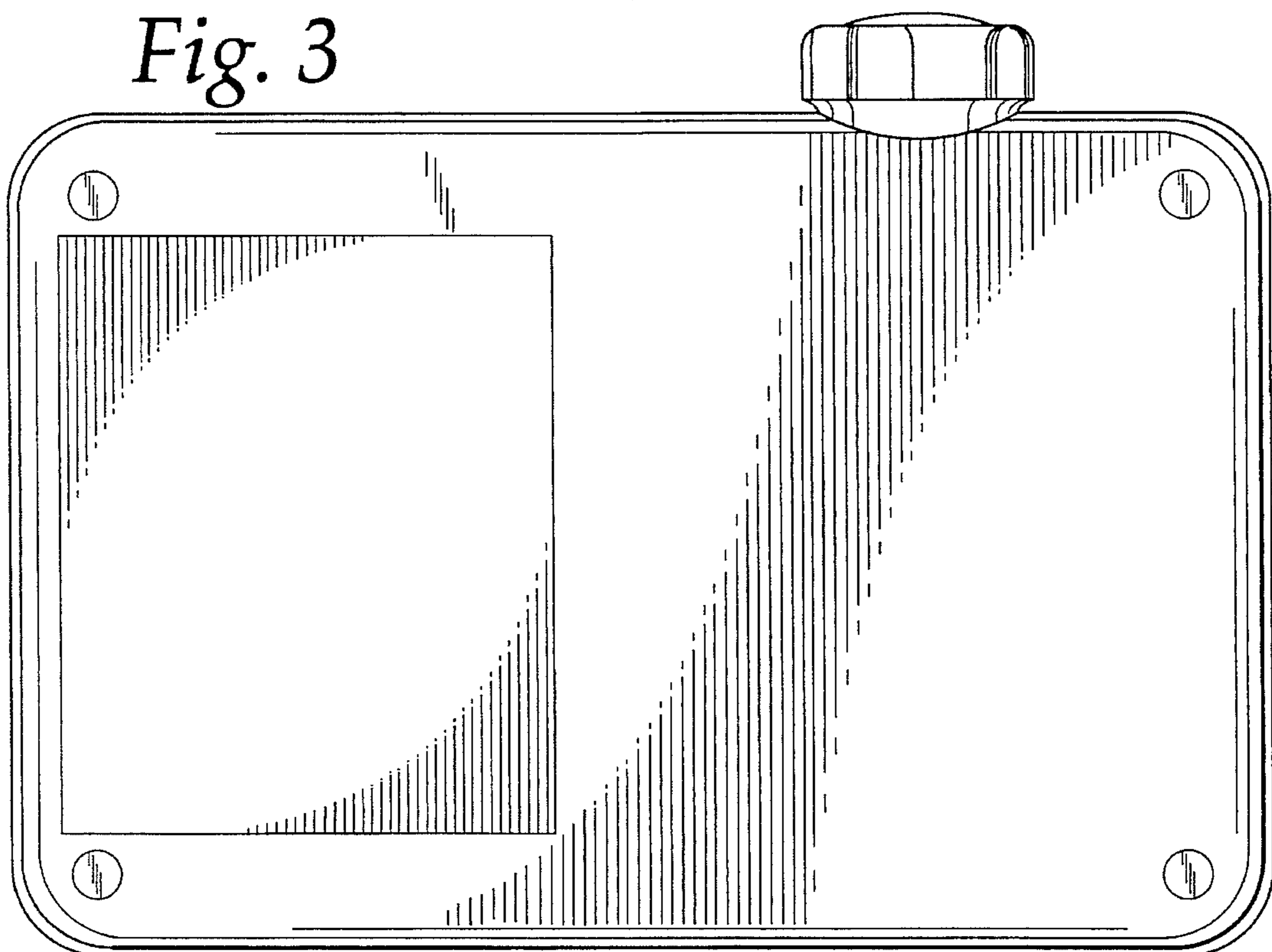


Fig. 2

Fig. 3



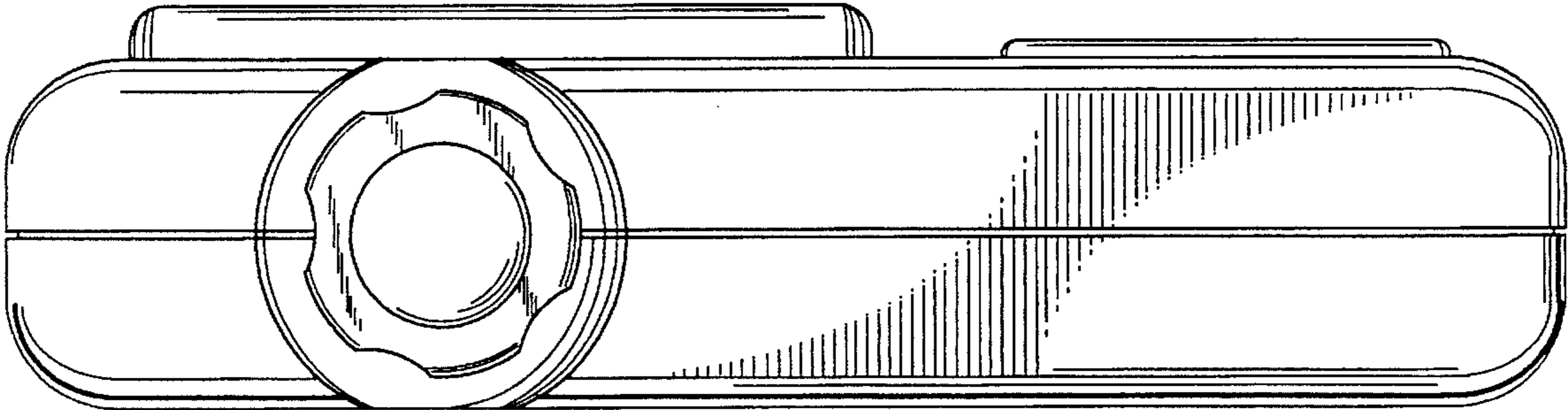


Fig. 4

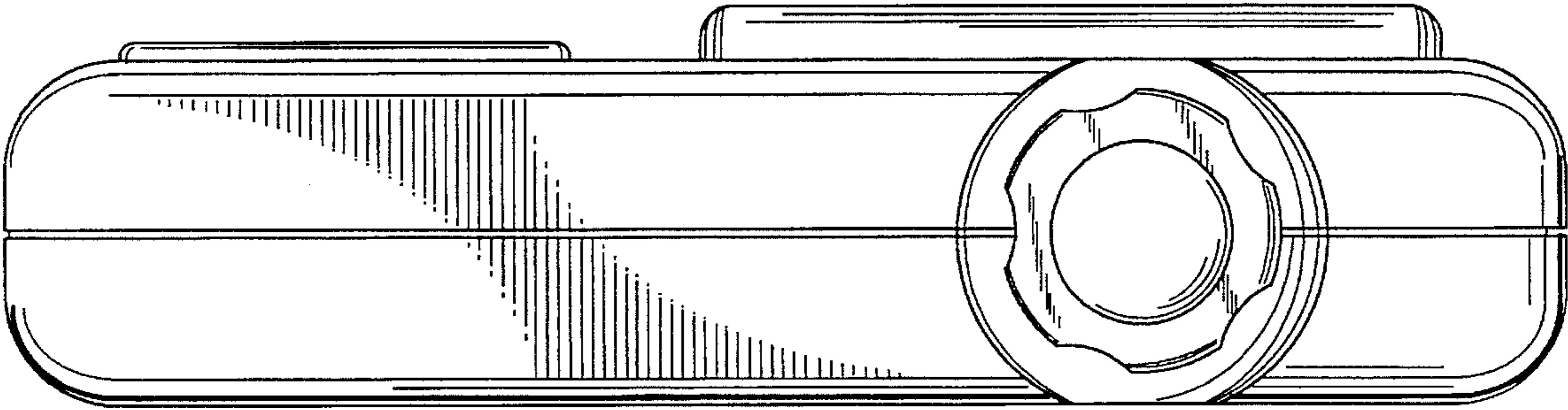


Fig. 5

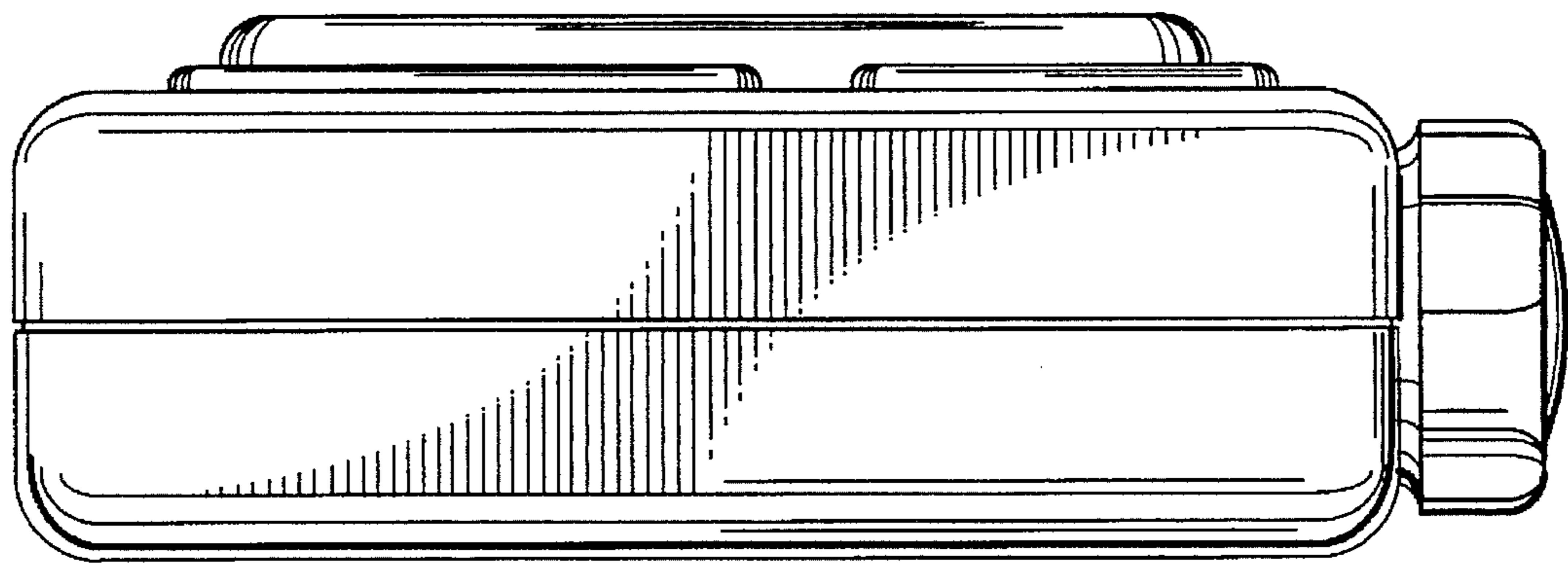


Fig. 6

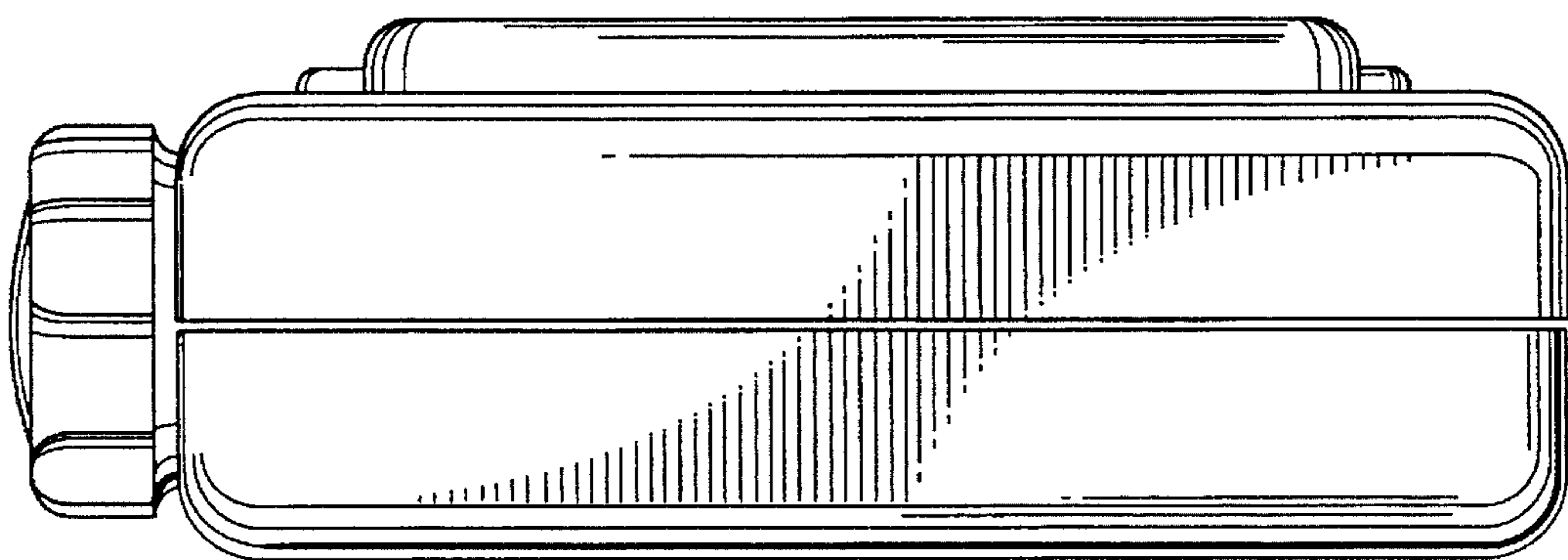


Fig. 7