



US00D367885S

# United States Patent [19] Ikenaga

[11] Patent Number: **Des. 367,885**

[45] Date of Patent: **\*\*Mar. 12, 1996**

[54] **RIBBON CARTRIDGE FOR PRINTER**

74873 4/1986 Japan ..... 400/208  
115771 5/1988 Japan ..... 400/208

[75] Inventor: **Takashi Ikenaga**, Tokyo, Japan

[73] Assignee: **Sony Corporation**, Tokyo, Japan

[\*\*] Term: **14 Years**

*Primary Examiner*—Cathy Anne MacCormac  
*Attorney, Agent, or Firm*—Beveridge, DeGrandi, Weilacher & Young

[21] Appl. No.: **33,534**

[22] Filed: **Jan. 17, 1995**

[57] **CLAIM**

The ornamental design for a ribbon cartridge for a printer, as shown and described.

[30] **Foreign Application Priority Data**

**DESCRIPTION**

Jul. 15, 1994 [JP] Japan ..... 6-21269

[52] **U.S. Cl.** ..... **D18/56**

[58] **Field of Search** ..... D18/43, 56; 347/86,  
347/43-44; 400/207-208

FIG. 1 is an enlarged front right side perspective view of a ribbon cartridge for a printer showing my new design;  
FIG. 2 is an enlarged rear left side perspective view thereof;  
FIG. 3 is a front elevational view thereof;  
FIG. 4 is a rear elevational view thereof;  
FIG. 5 is a top plan view thereof;  
FIG. 6 is a bottom plan view thereof;  
FIG. 7 is a left side elevational view thereof;  
FIG. 8 is a right side elevational view thereof;  
FIG. 9 is an enlarged front right side perspective view of a second embodiment of FIG. 1; and,  
FIG. 10 is an enlarged rear left side perspective view of FIG. 9.

[56] **References Cited**

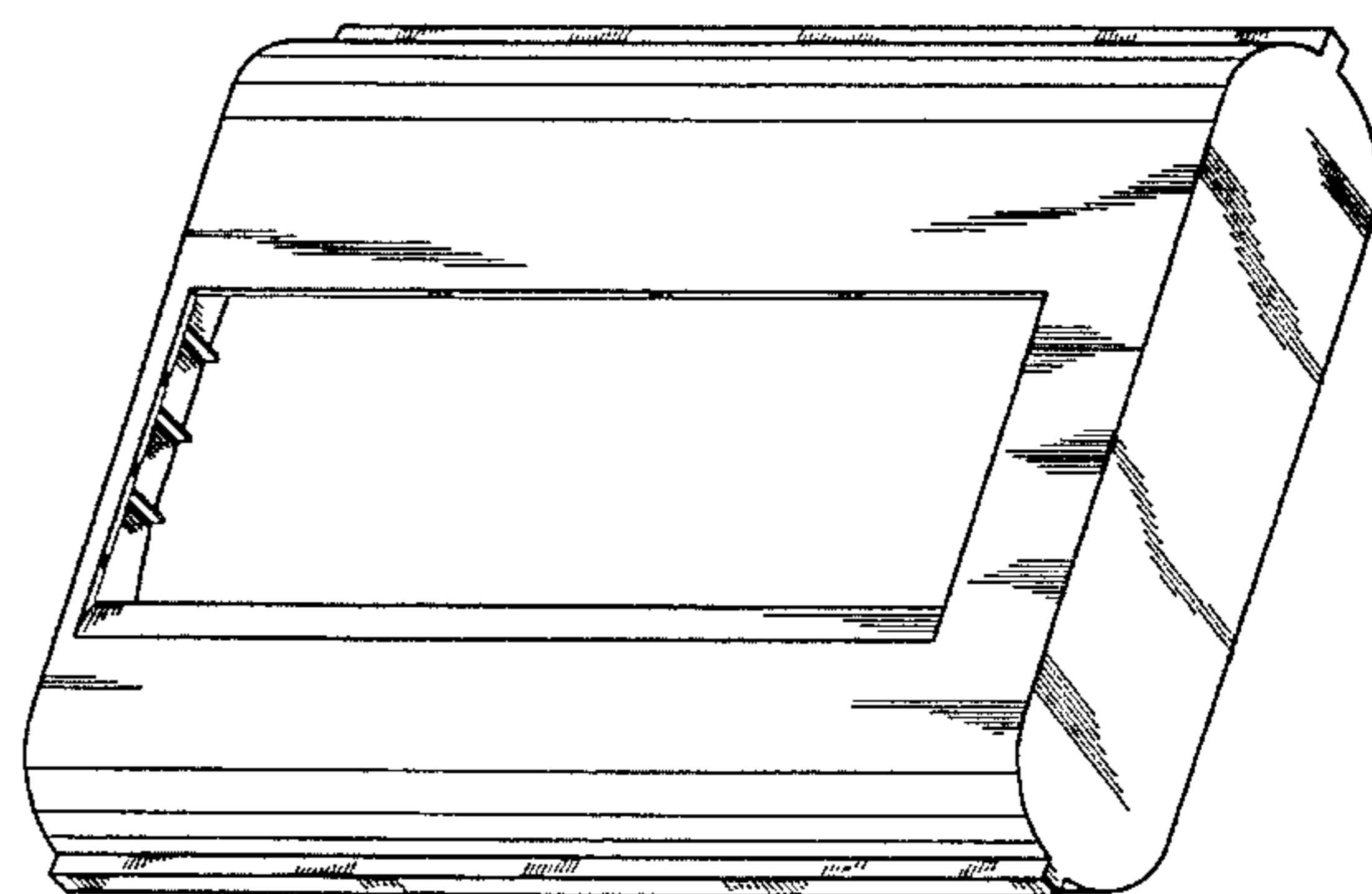
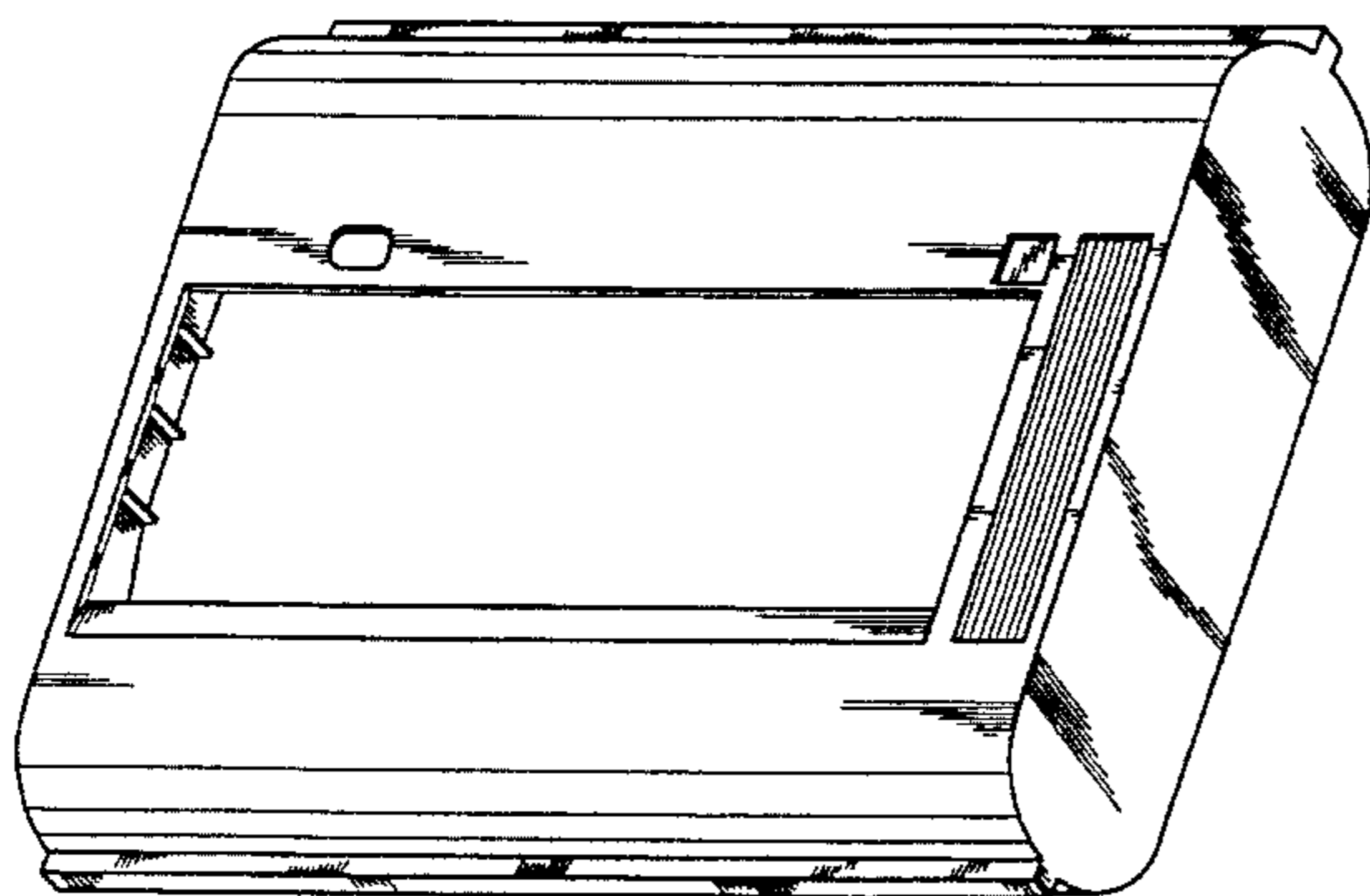
**U.S. PATENT DOCUMENTS**

|            |        |                 |       |         |
|------------|--------|-----------------|-------|---------|
| D. 332,275 | 1/1993 | Katsuno         | ..... | D18/56  |
| D. 334,209 | 3/1993 | Katsuno         | ..... | D18/56  |
| 4,901,090  | 2/1990 | Ozawa et al.    | ..... | 400/207 |
| 5,035,325  | 7/1991 | Kitsuki         | ..... | 400/207 |
| 5,248,207  | 9/1993 | Yamamoto et al. | ..... | 400/208 |
| 5,399,034  | 3/1995 | Fujii et al.    | ..... | 400/208 |

**FOREIGN PATENT DOCUMENTS**

137660 7/1985 Japan ..... 347/86

**1 Claim, 3 Drawing Sheets**



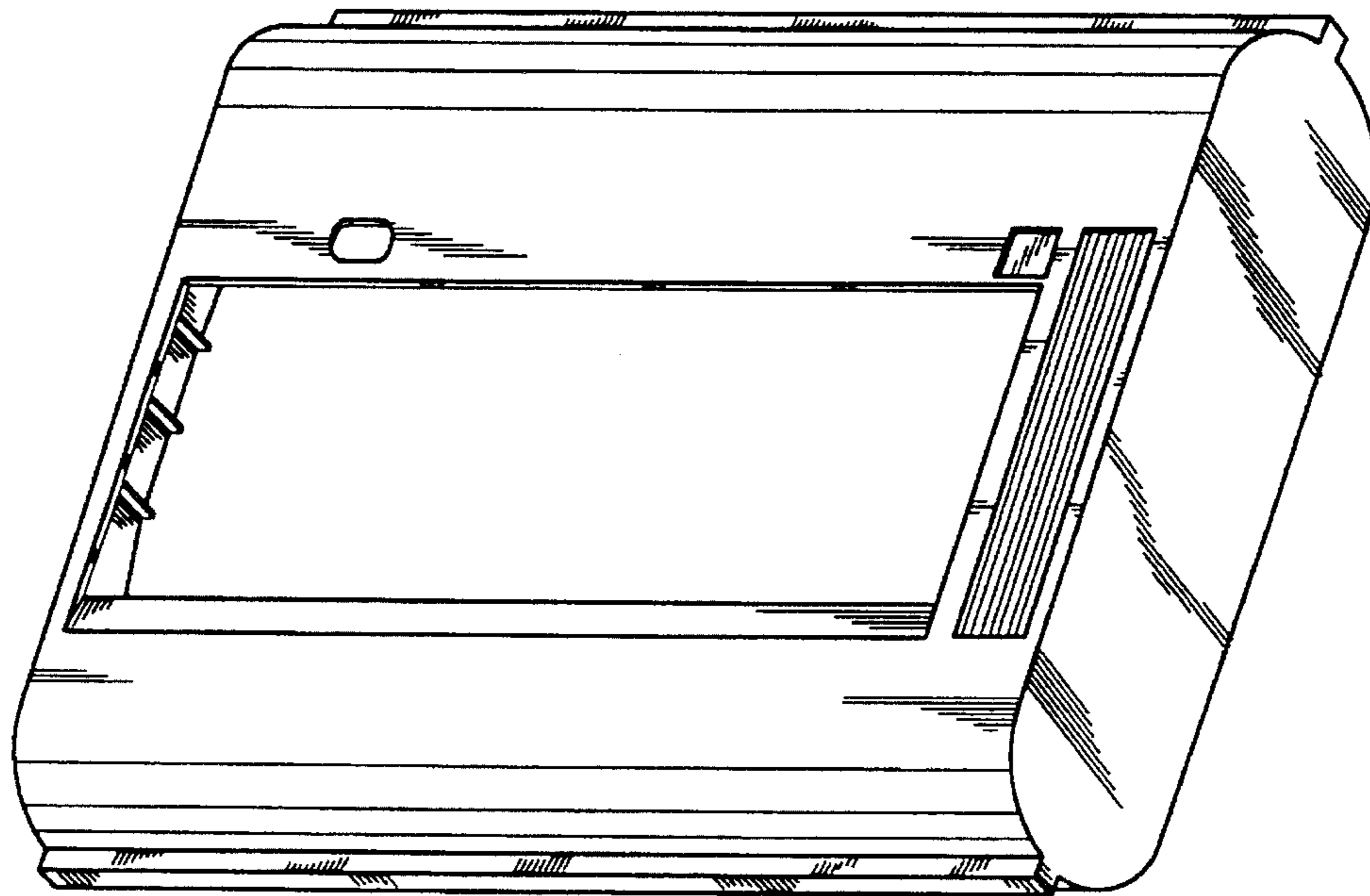


FIG. 1

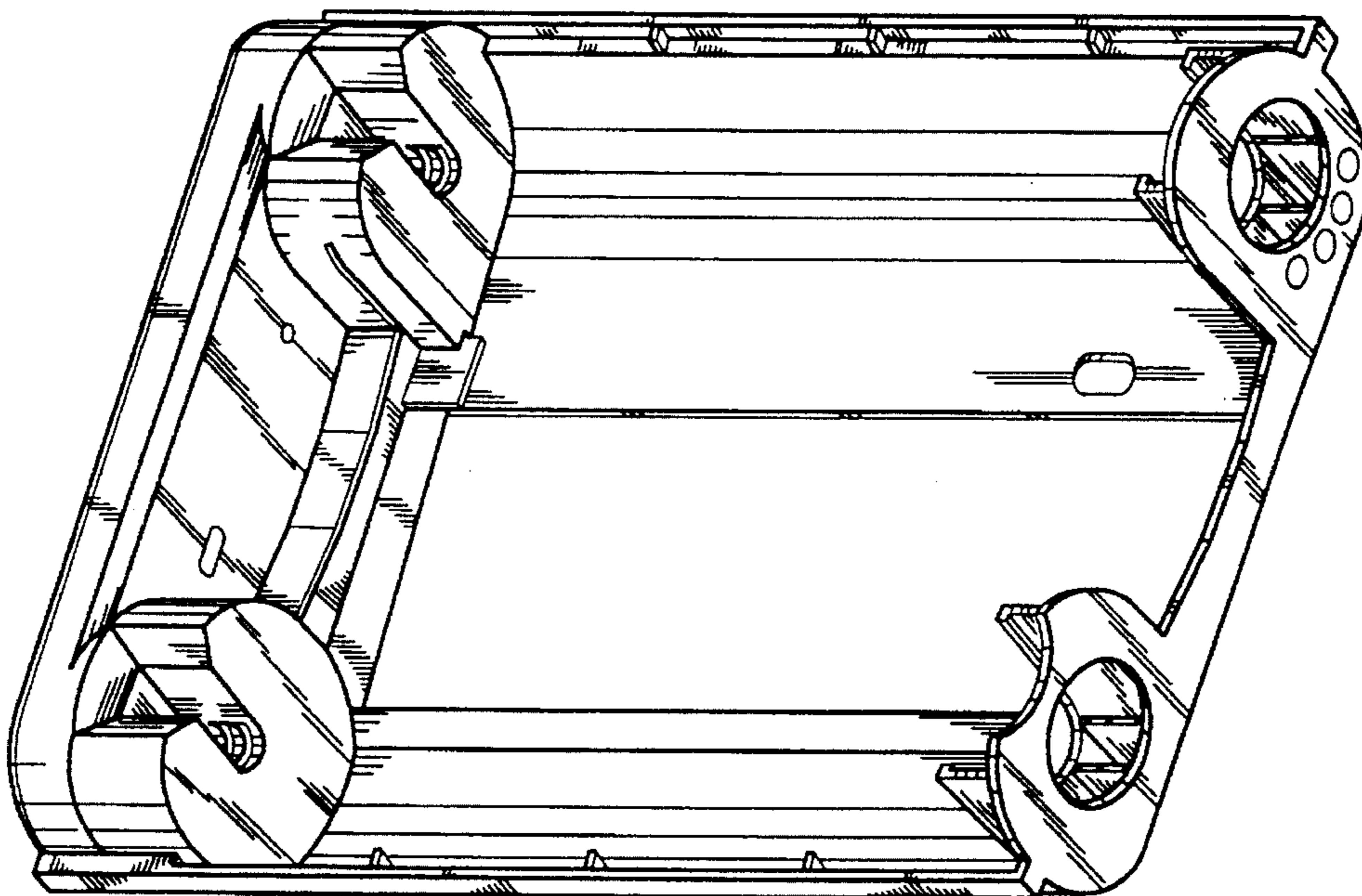


FIG. 2

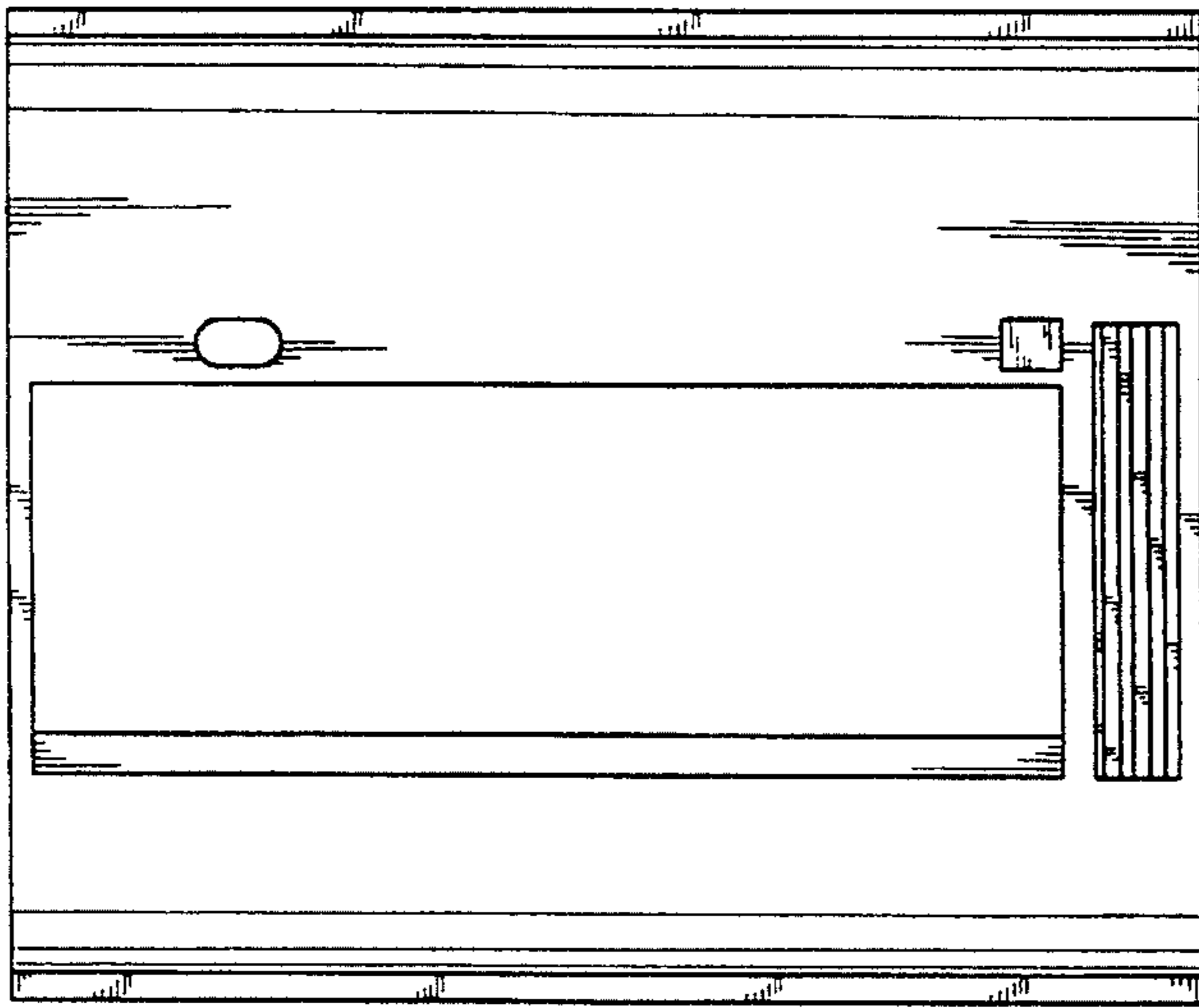


FIG. 3

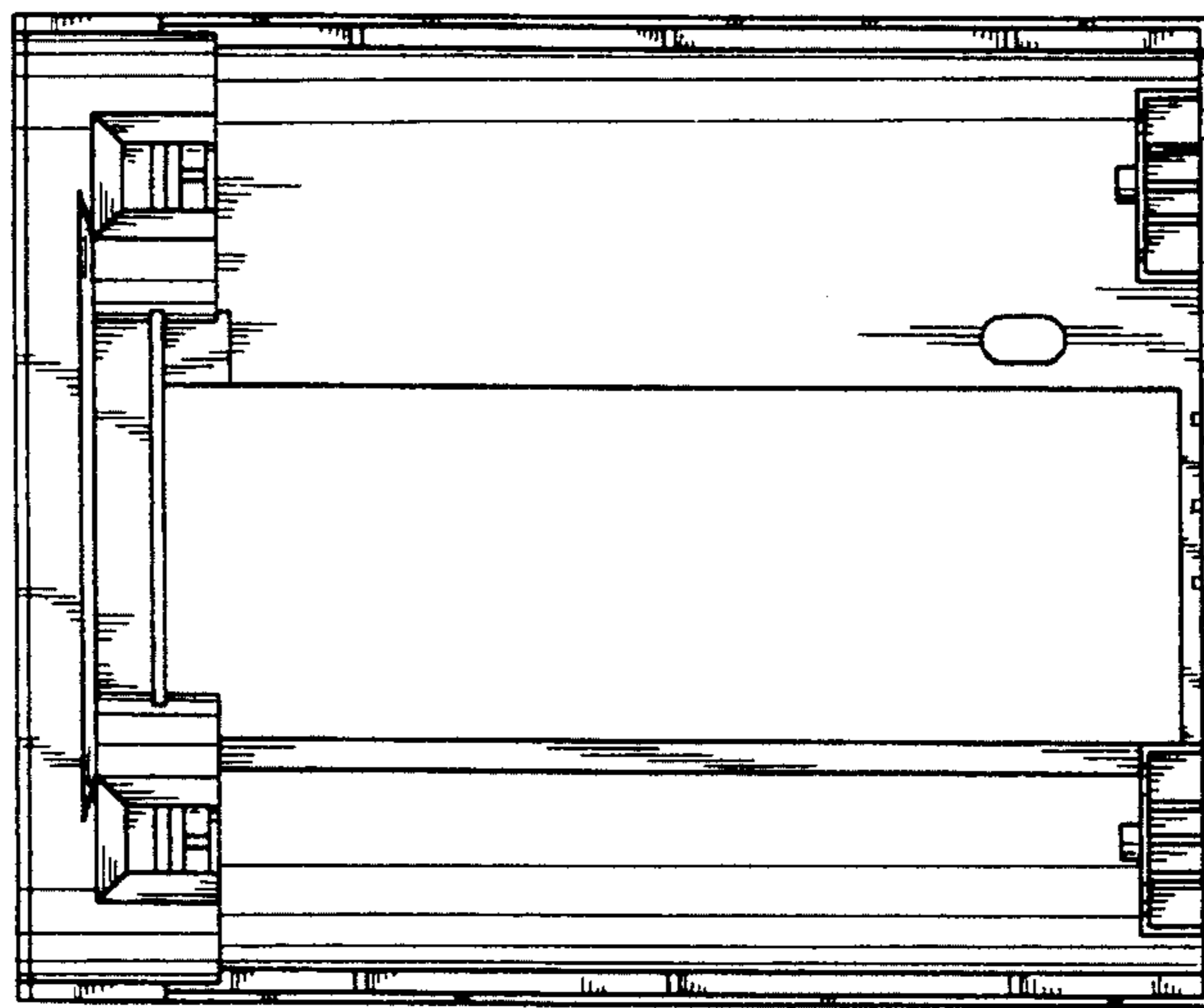


FIG. 4

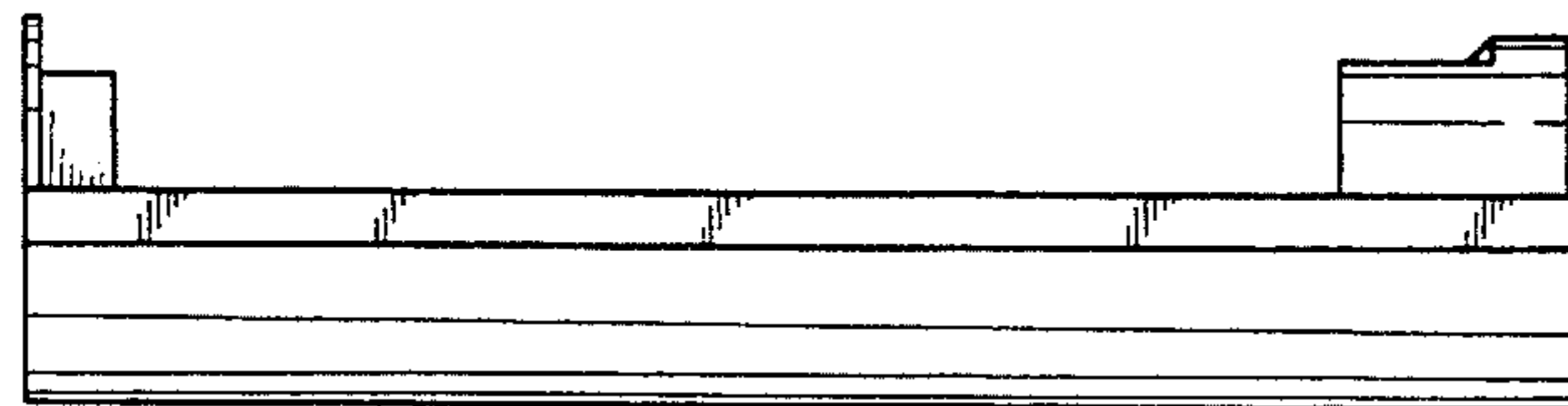


FIG. 5

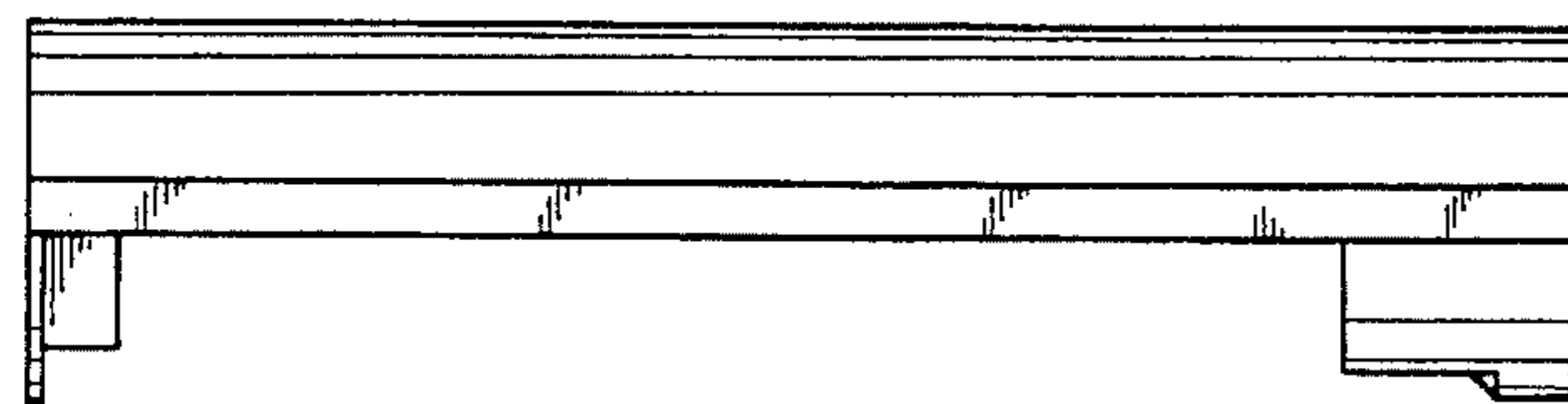


FIG. 6

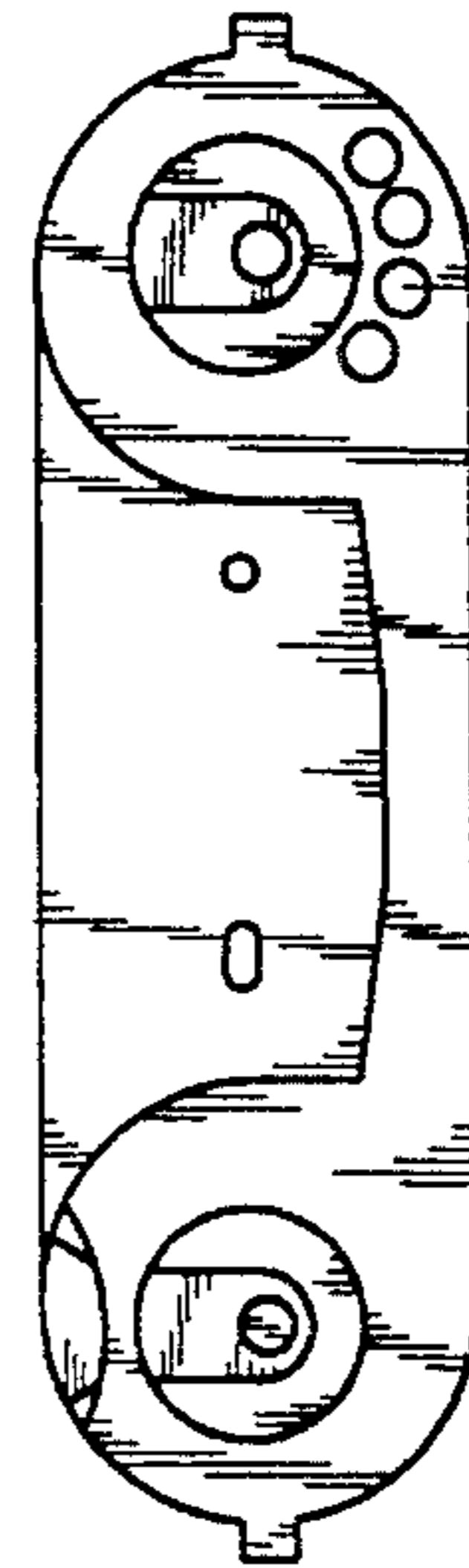


FIG. 7

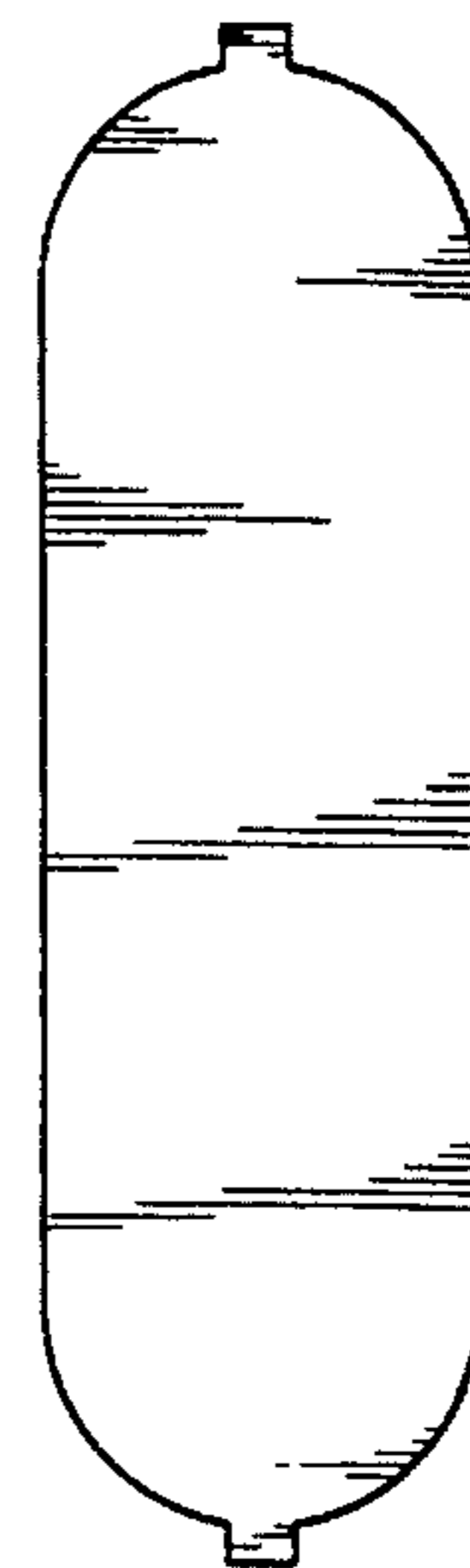


FIG. 8

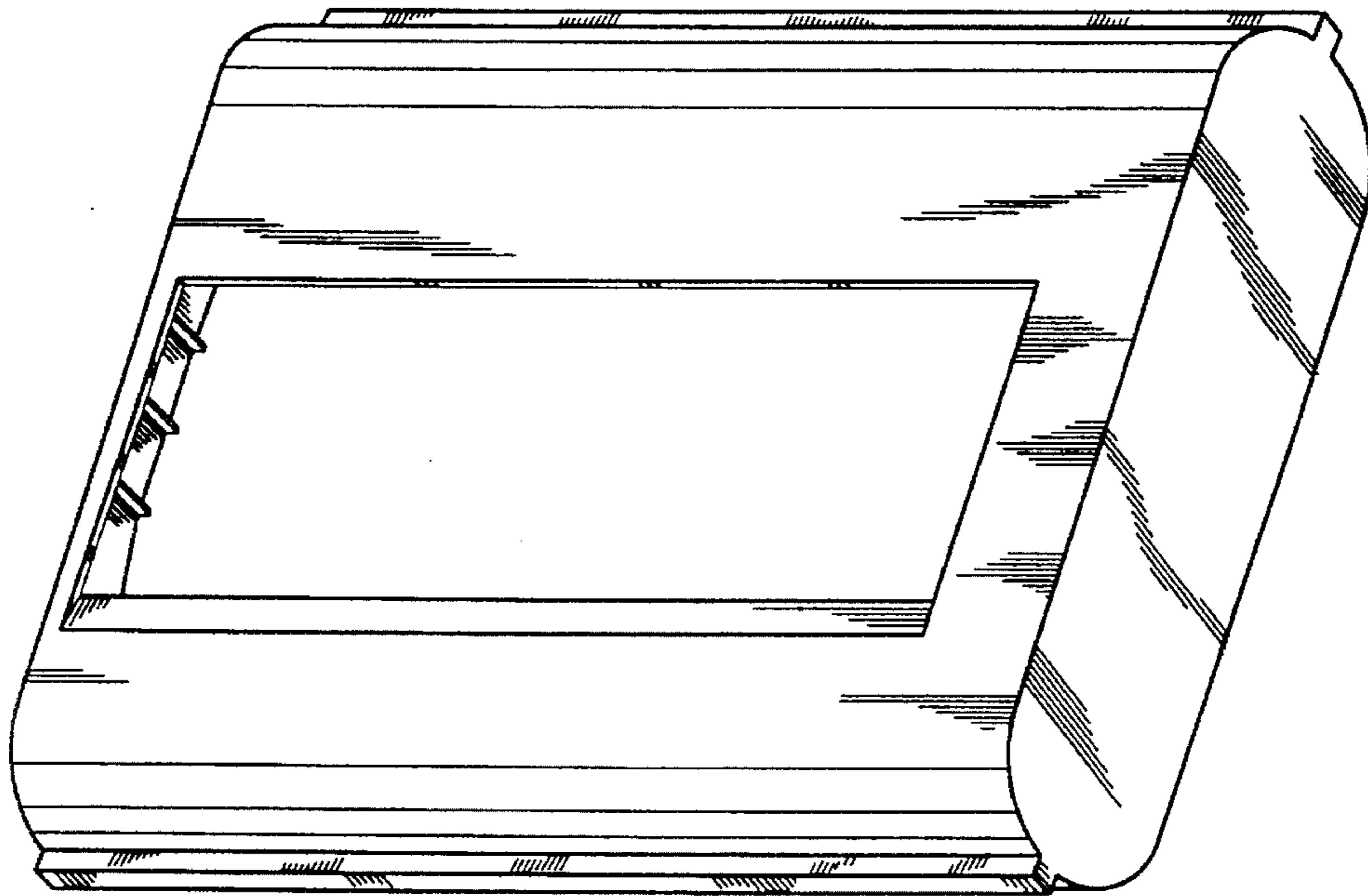


FIG. 9

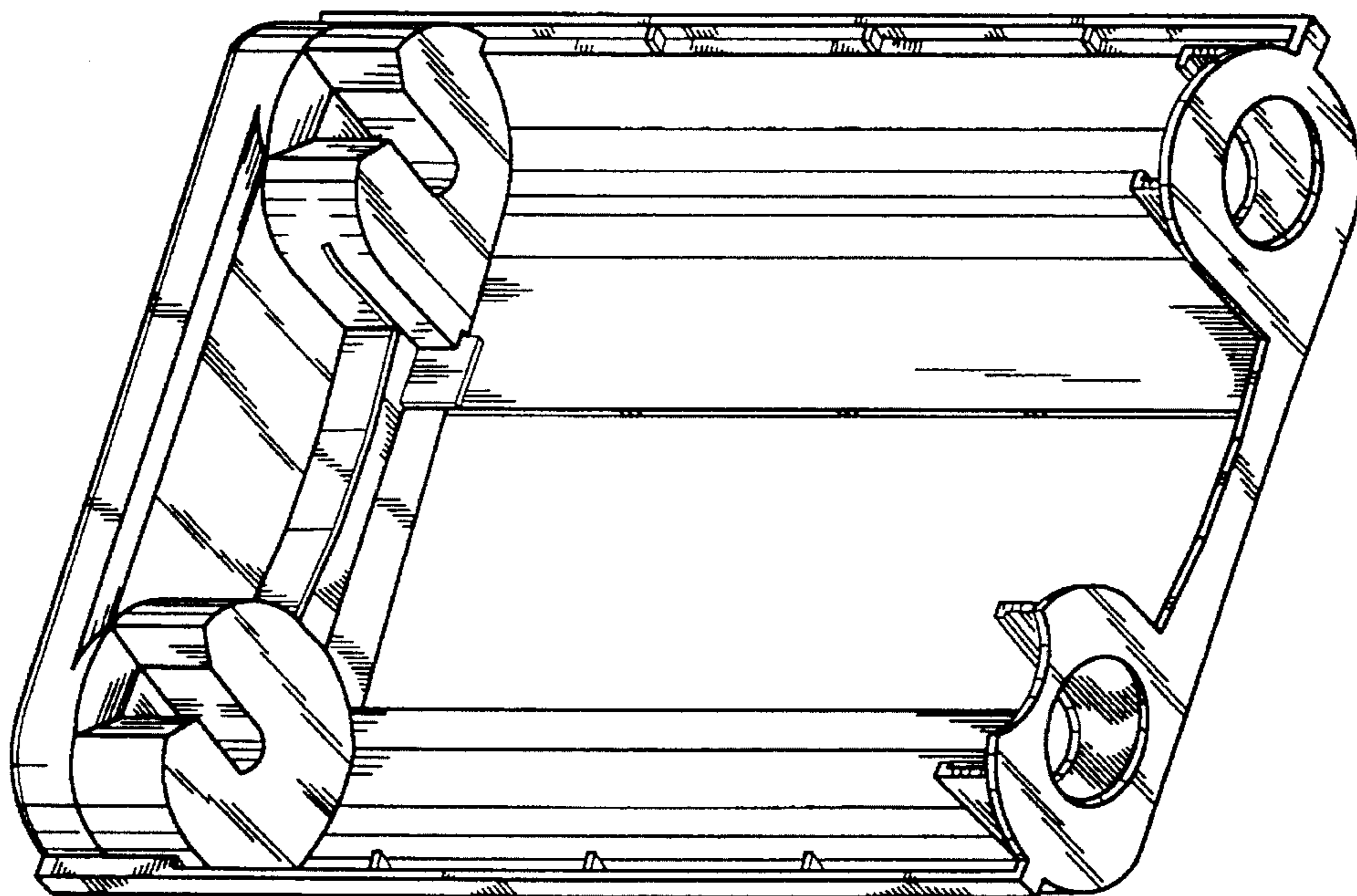


FIG. 10