



US00D367883S

United States Patent [19]

[11] Patent Number: **Des. 367,883**

Banks et al.

[45] Date of Patent: ****Mar. 12, 1996**

[54] **TOOL FOR INSERTING AND REMOVING A LOGO DIE FOR A DEBOSSMENT STAMPER**

5,088,173 2/1992 Kromer et al. 29/278
5,315,927 5/1994 Yeh D18/56

[75] Inventors: **William A. Banks**, Carrollton;
Raymond D. Heistand, II, Flower Mound;
Barry C. Kockler, Lewisville;
William J. Usitalo, Farmers Branch, all of Tex.

FOREIGN PATENT DOCUMENTS

105472 4/1984 European Pat. Off. 400/208
4106017 9/1991 Germany 400/208
0202778 9/1987 Japan 400/208

[73] Assignee: **Taurus Impressions, Inc.**, Mountain View, Calif.

OTHER PUBLICATIONS

IBM Technical Disclosure Bulletin; vol. 29, No. 4, Sep. 1986; Printer Ribbon Cartridge Insertion Position Locators.

[**] Term: **14 Years**

Primary Examiner—Cathy Anne MacCormac
Attorney, Agent, or Firm—Skjerven, Morrill, MacPherson, Franklin, & Friel

[21] Appl. No.: **9,667**

[22] Filed: **Jun. 17, 1993**

[57] CLAIM

[52] U.S. Cl. **D18/56; D8/51**

The ornamental design for a tool for inserting and removing a logo die for a debossment stamper, as shown and described.

[58] Field of Search 101/28-29, 390, 101/391; 400/208, 174, 175; D18/56; 29/270, 278; 156/542; D8/51

DESCRIPTION

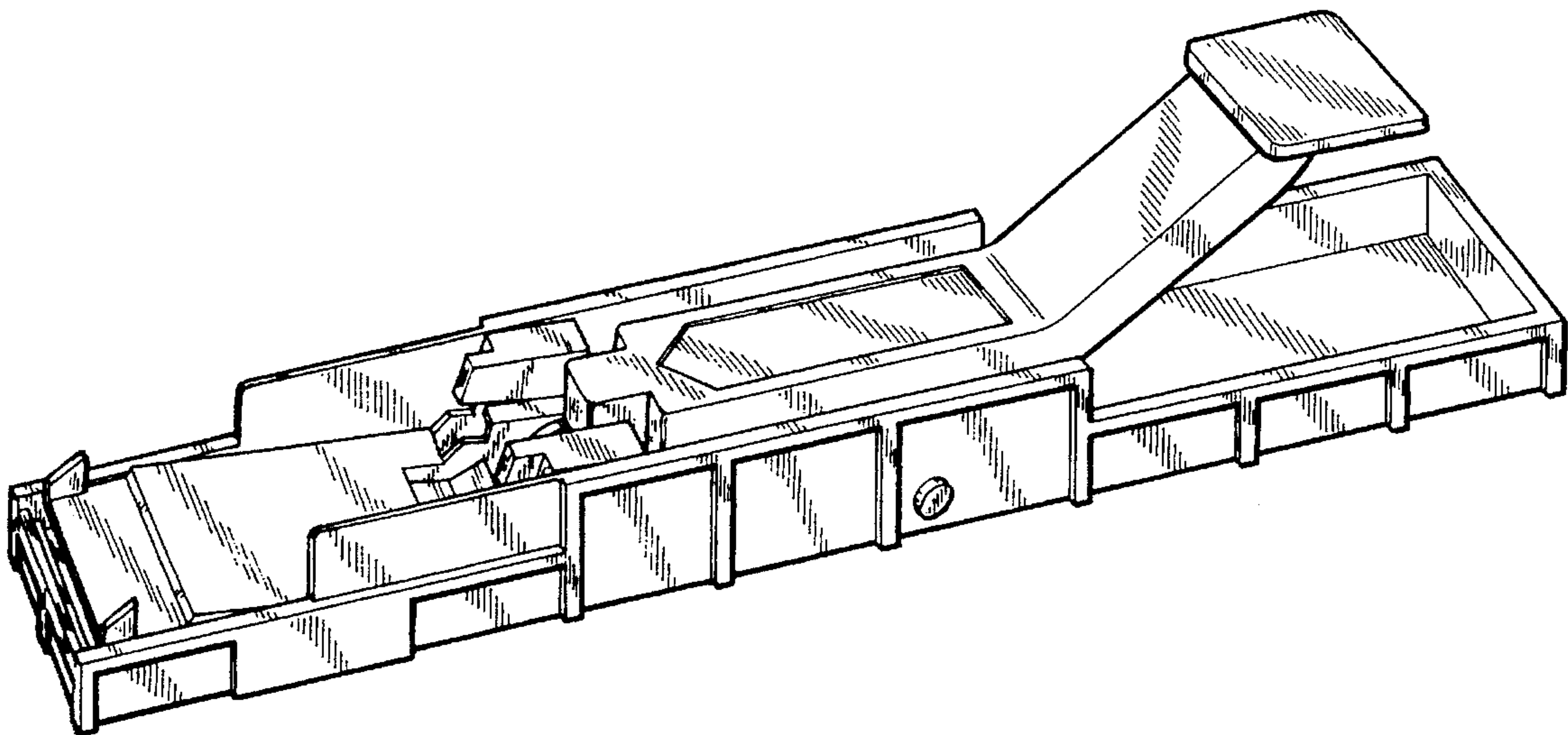
[56] References Cited

U.S. PATENT DOCUMENTS

D. 268,761 4/1983 Brown D8/51
D. 310,541 9/1990 Miyoshi D18/56
D. 341,287 11/1993 Tseng D8/51
D. 347,371 5/1994 Konik D8/51
3,719,143 3/1973 Labore D18/56
4,542,575 9/1985 Revogr 29/278
4,732,499 3/1988 Nojima et al. 400/208
4,869,168 9/1989 Lin 101/391
5,044,058 9/1991 Voss 29/278

FIG. 1 is a perspective view of a tool for inserting and removing a logo die for a debossment stamper;
FIG. 2 is a top plan view thereof;
FIG. 3 is a front elevation view thereof;
FIG. 4 is a left side elevational view thereof, the right side being a mirror image of the side shown;
FIG. 5 is a rear elevation view thereof; and,
FIG. 6 is a bottom plan view thereof.

1 Claim, 2 Drawing Sheets



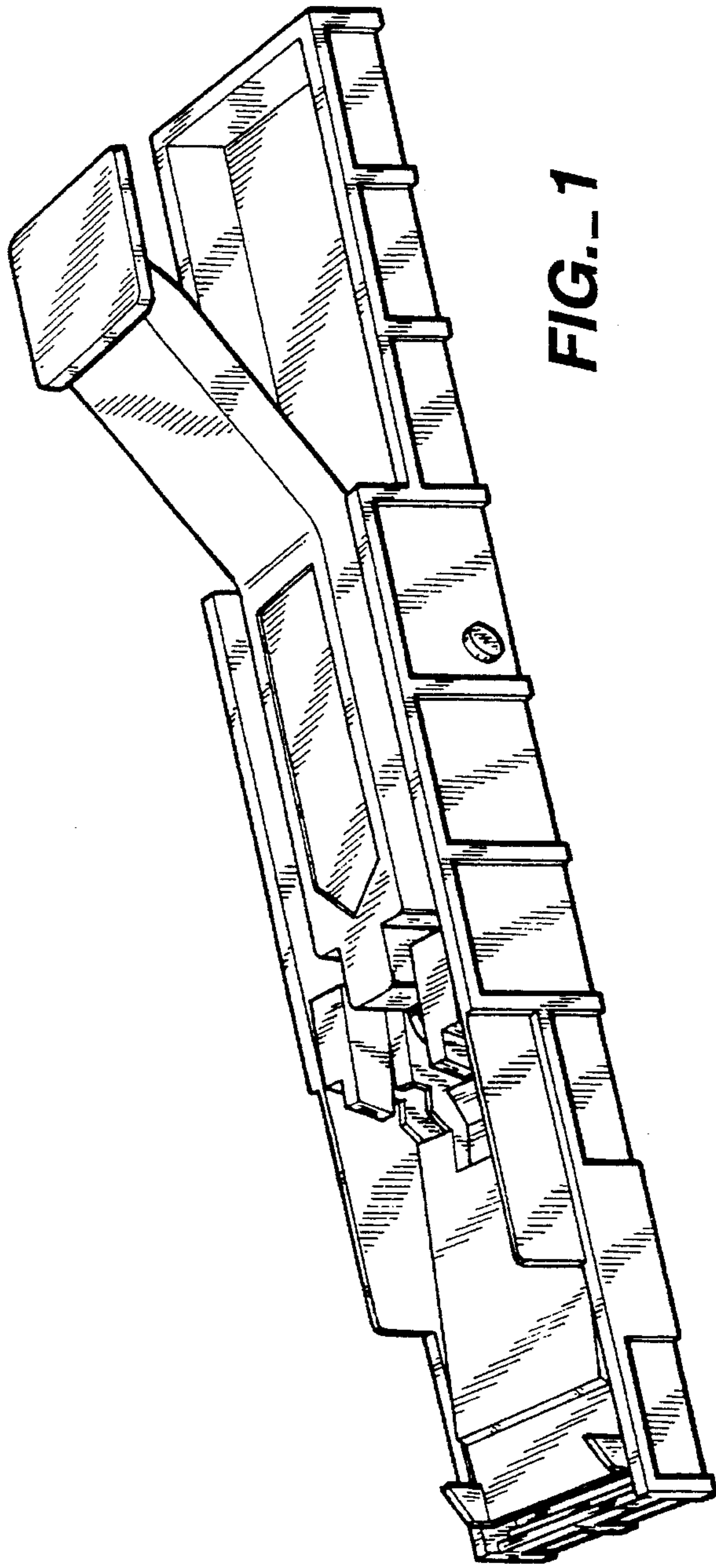


FIG. 1

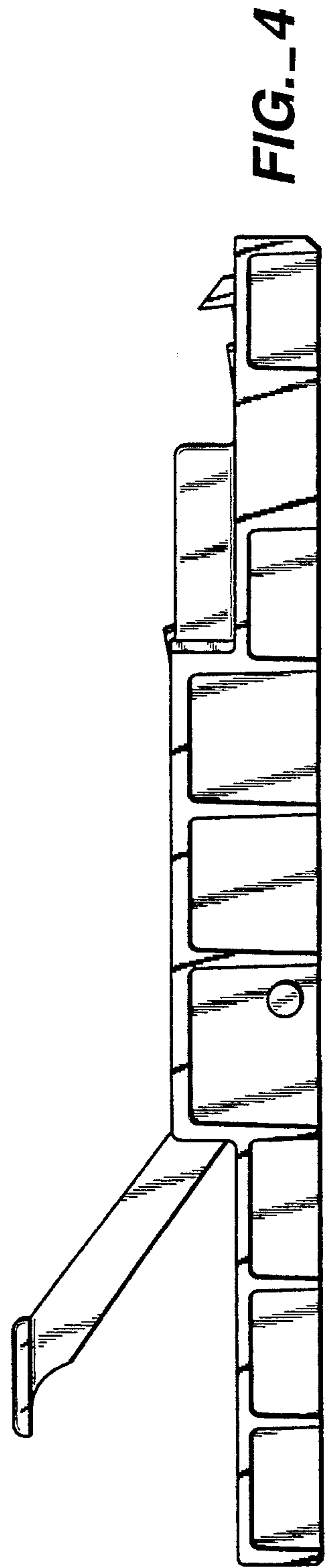


FIG. 4

FIG._2

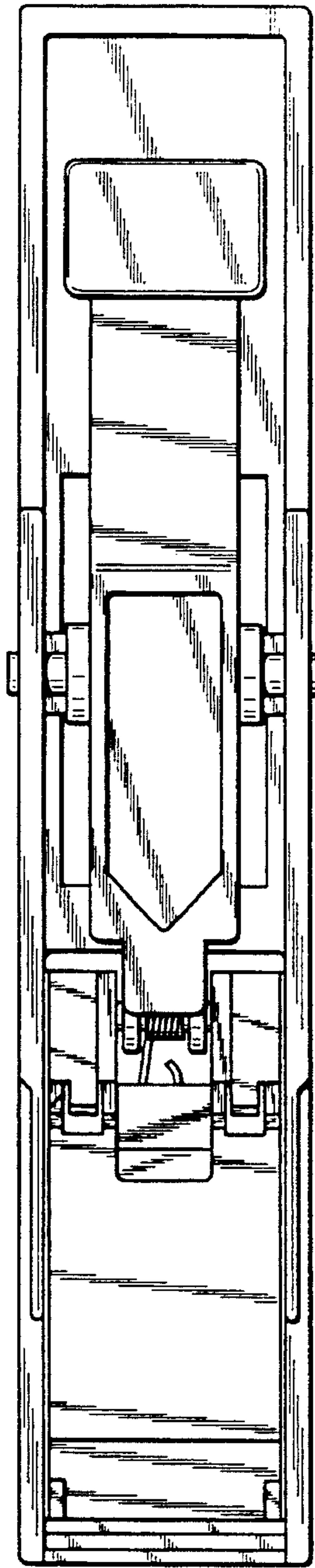


FIG._6

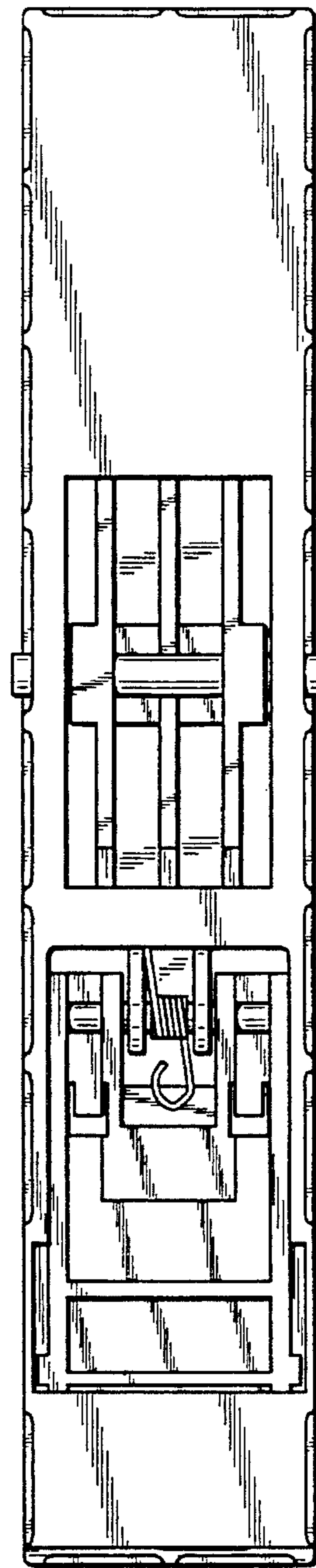


FIG._3

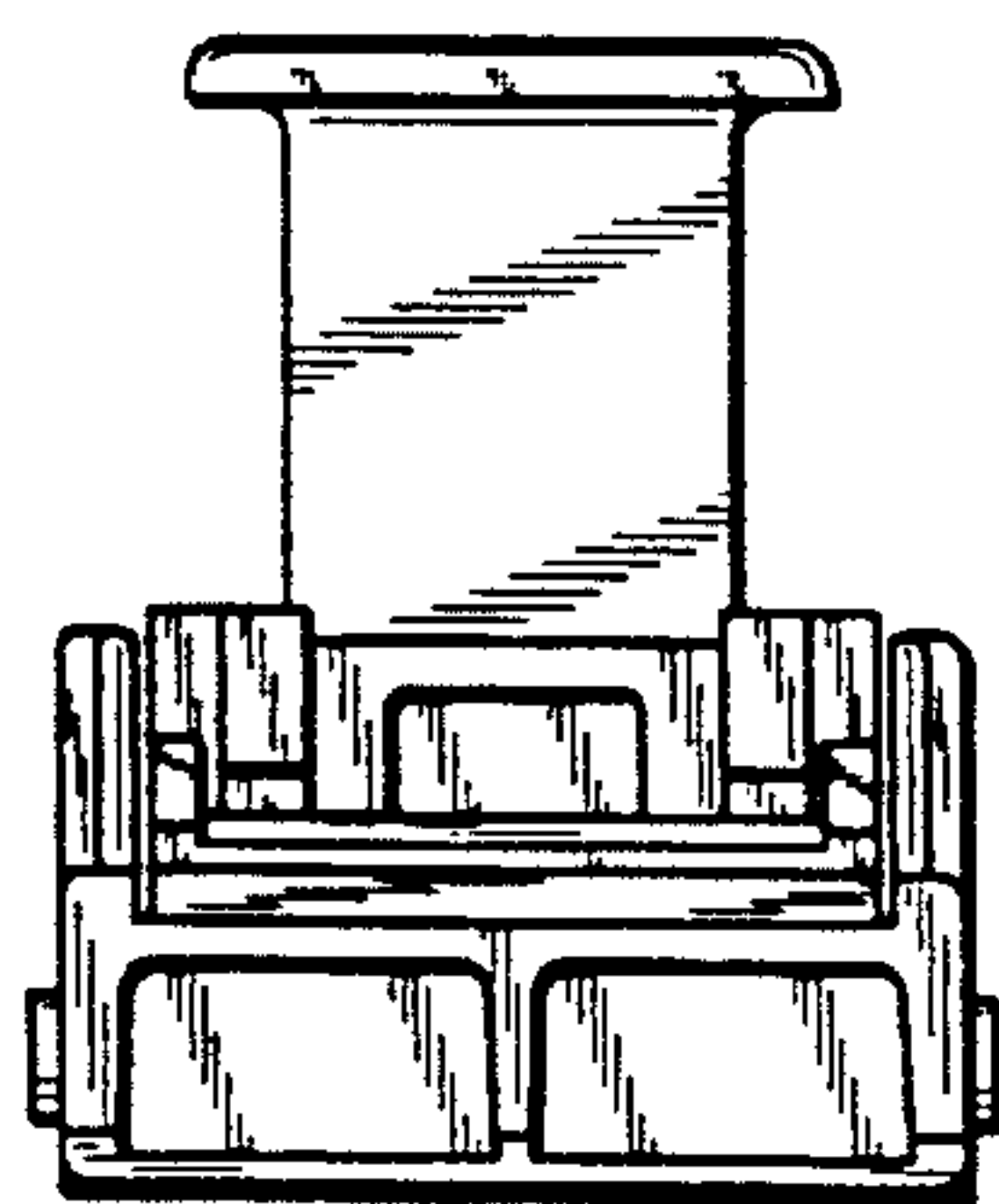


FIG._5

