



US00D367882S

United States Patent [19]

[11] Patent Number: **Des. 367,882**

Parsey et al.

[45] Date of Patent: ****Mar. 12, 1996**

[54] COMPUTER PRINTER

[75] Inventors: **Timothy J. L. Parsey**, Palo Alto;
Christopher Loew, San Francisco, both
of Calif.

[73] Assignee: **Apple Computer, Inc.**, Cupertino,
Calif.

[**] Term: **14 Years**

[21] Appl. No.: **18,860**

[22] Filed: **Feb. 16, 1994**

[52] U.S. Cl. **D18/55**

[58] Field of Search D18/50, 55, 54;
400/88, 613, 613.1-613.4, 690, 690.1-690.4,
691-694; 347/222, 245, 264, 170, 108

[56] References Cited

U.S. PATENT DOCUMENTS

D. 301,485	6/1989	Kato et al.	D18/55
D. 321,714	11/1991	Frenkler et al.	D18/54
D. 326,678	6/1992	Uchibori et al.	D18/55
D. 334,754	3/1993	Parsey	D18/55
D. 339,159	9/1993	Pruitt et al.	D18/55
D. 348,899	7/1994	Masujima et al.	D18/55
D. 353,155	12/1994	Stewart et al.	D18/50
4,763,135	8/1988	Shimode et al.	D18/55

FOREIGN PATENT DOCUMENTS

753604	10/1988	Japan	D18/55
--------	---------	-------------	--------

OTHER PUBLICATIONS

ALPS Electric (USA), Inc. advertisement for printer in FOSE 1993 Show Directory.

Tektronix Phaser III PX; Phase-change Color Printer brochure.

Fujitsu Computer Products of America, Inc. brochure; Cover photo for Scan Partner Plus.

QMS brochure; QMS 1725 Print system.

Hewlett Packard Laser Jet 4 Printer brochure.

Mannesmann Tally brochure; Cover photo.

Colorflex InPrint™ System brochure advertising a printer.

Primary Examiner—Cathy Anne MacCormac

Attorney, Agent, or Firm—Nancy R. Simon

[57] CLAIM

The ornamental design for a computer printer, as shown.

DESCRIPTION

FIG. 1 is a top, left perspective view of a computer printer, showing our new design;

FIG. 2 is a front view thereof;

FIG. 3 is a back view thereof;

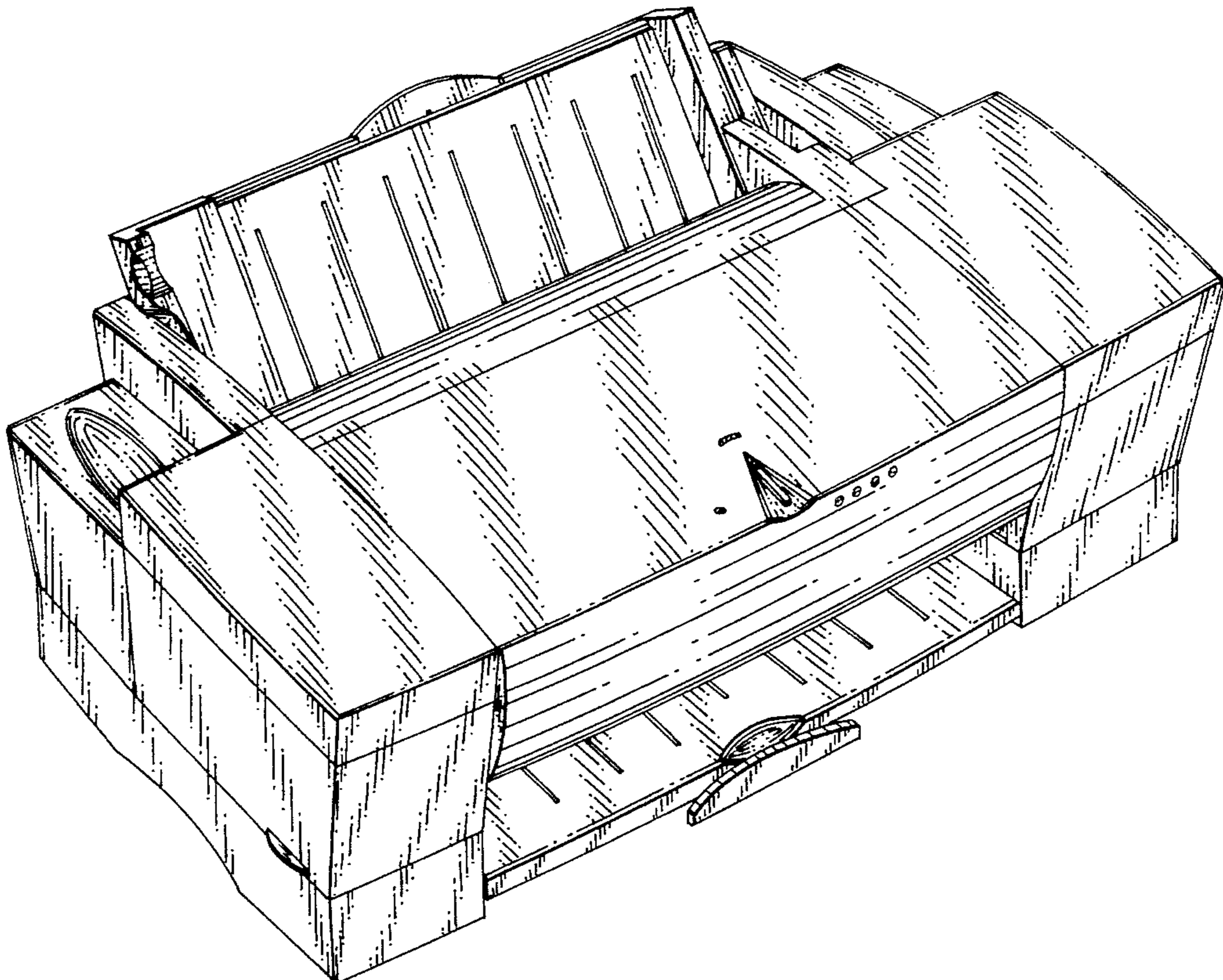
FIG. 4 is a left view thereof;

FIG. 5 is a right view thereof;

FIG. 6 is a top view thereof; and,

FIG. 7 is a bottom view thereof.

1 Claim, 7 Drawing Sheets



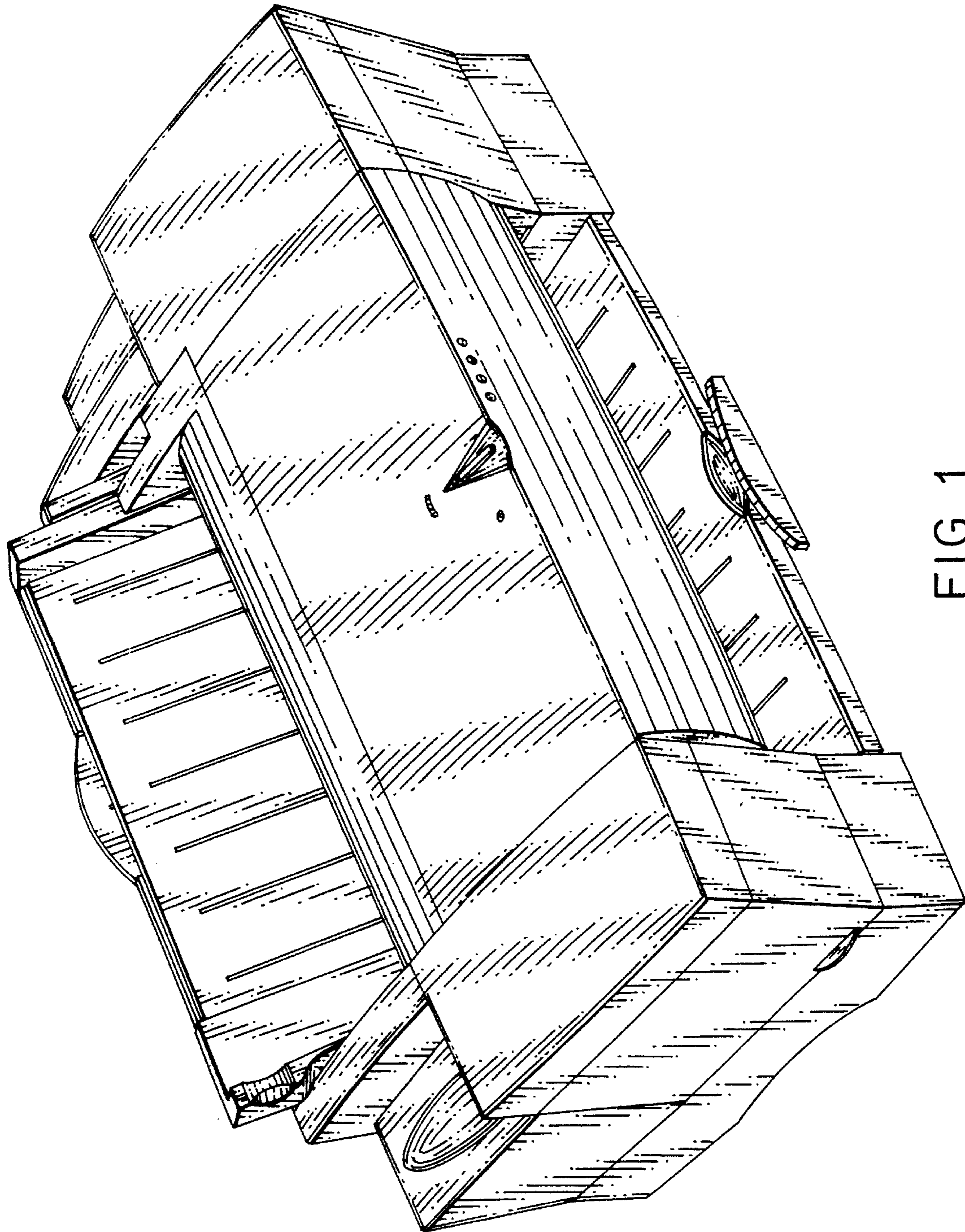


FIG. 1

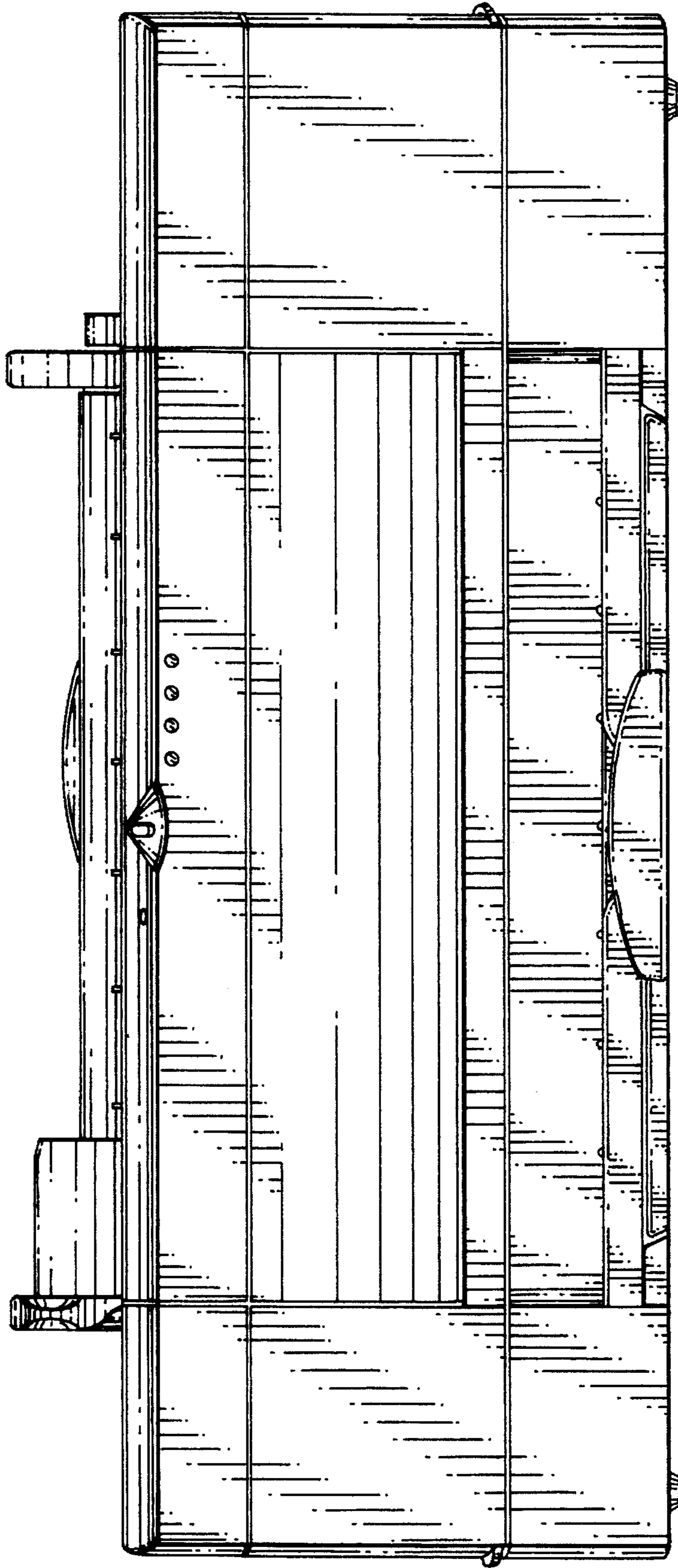


FIG. 2

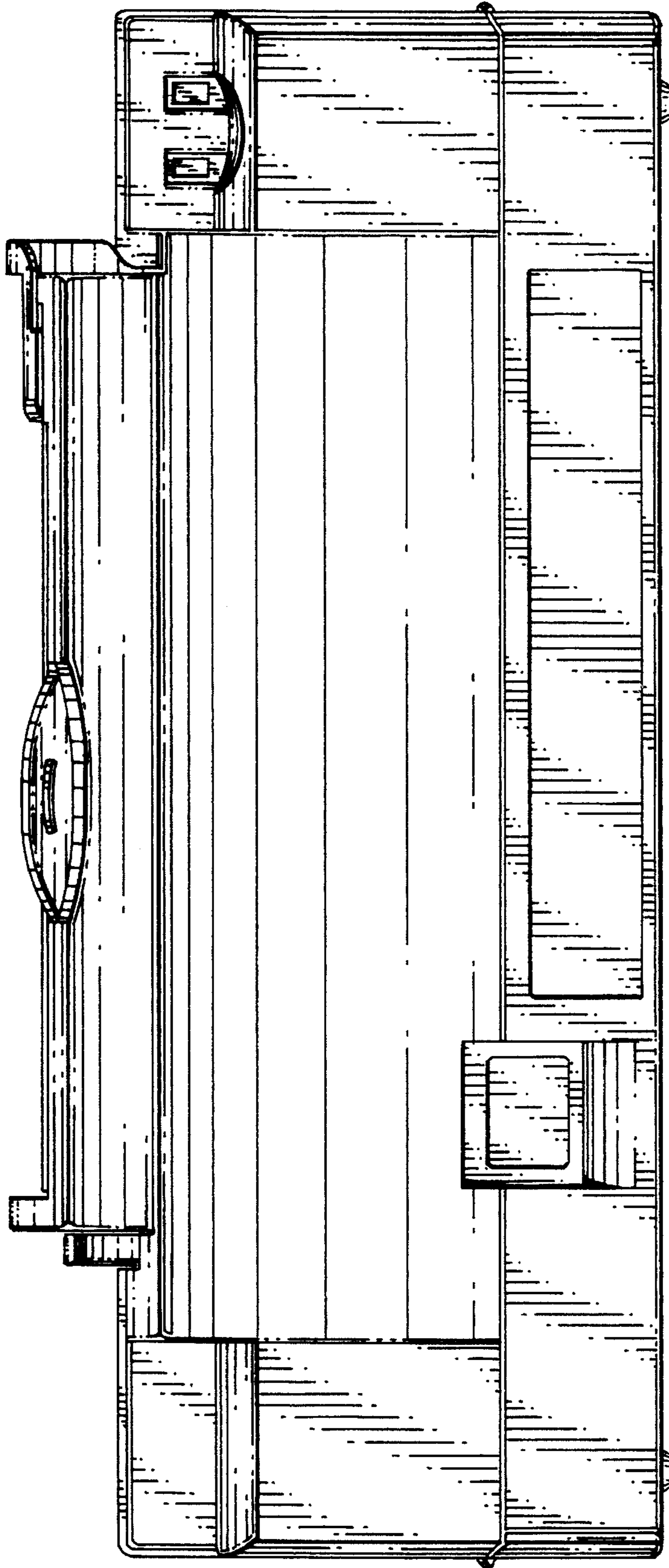


FIG. 3

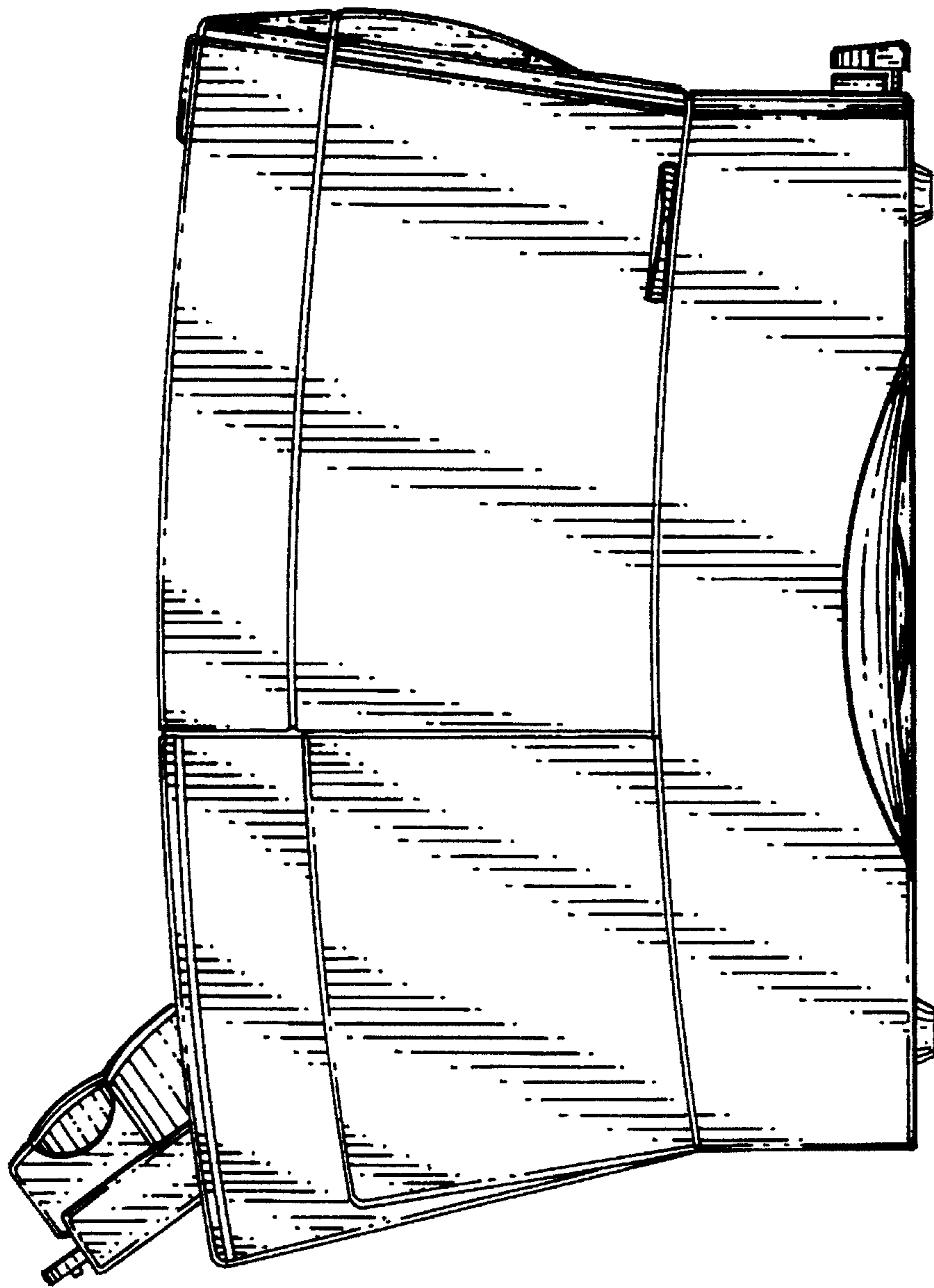


FIG. 4

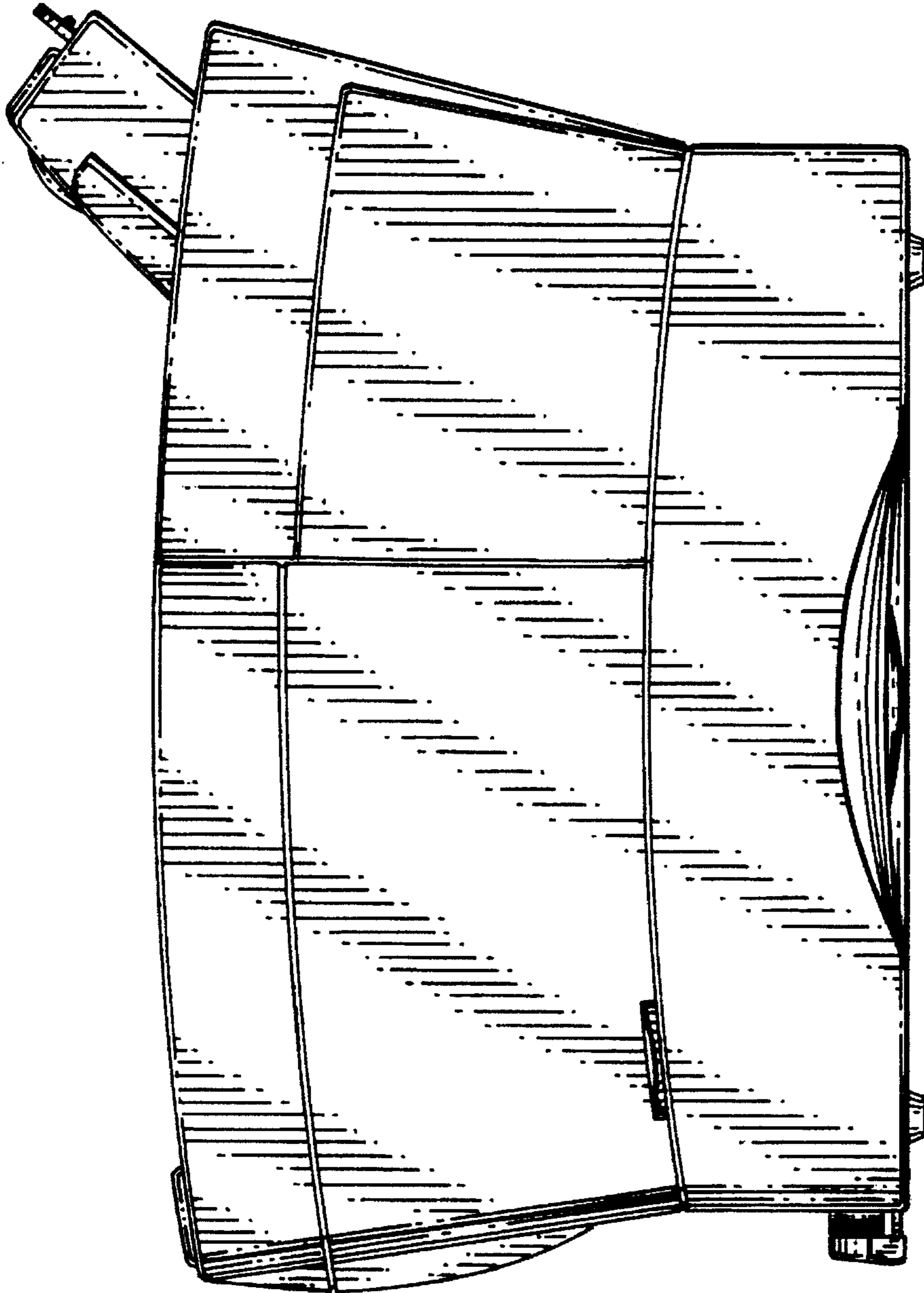


FIG. 5

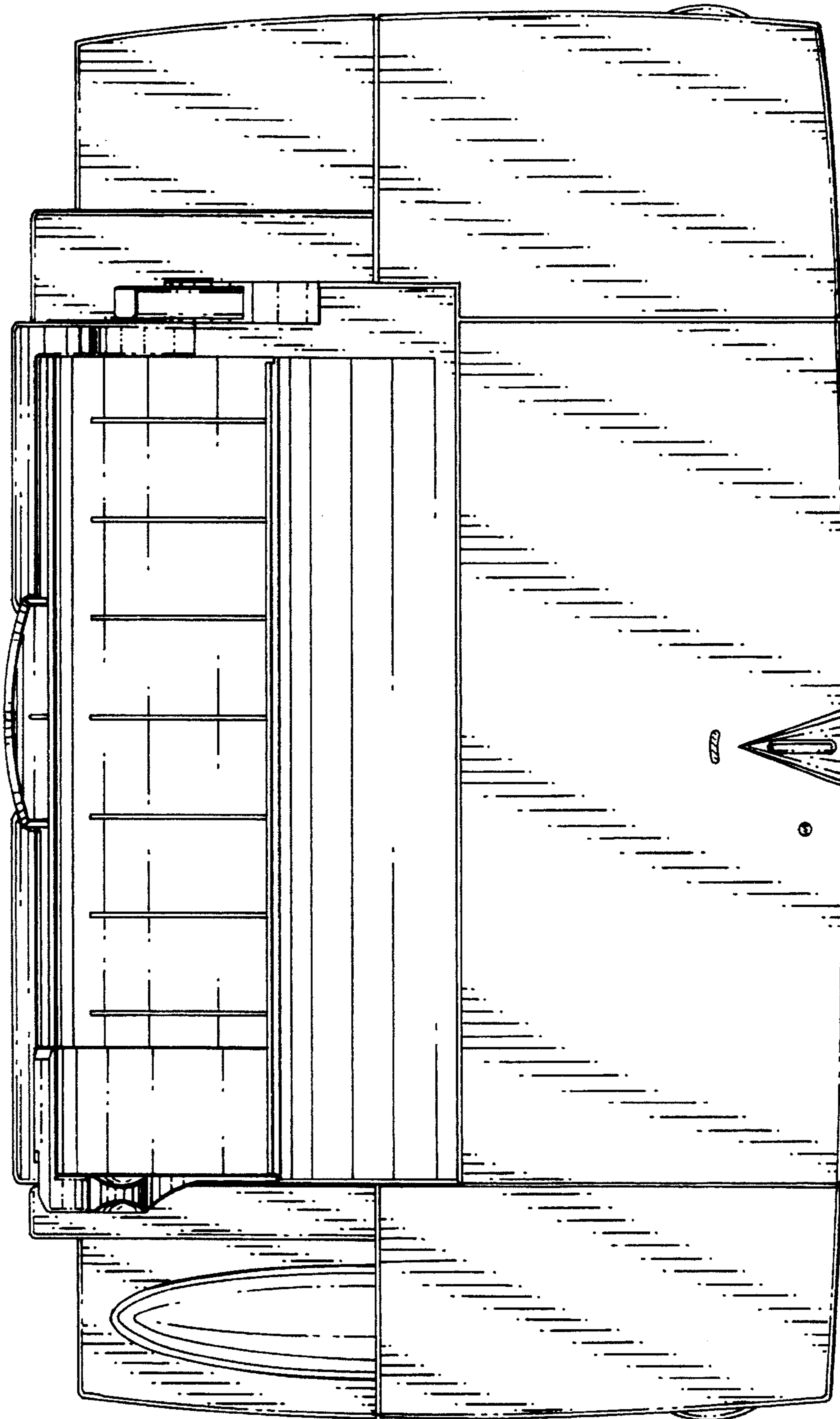


FIG. 6

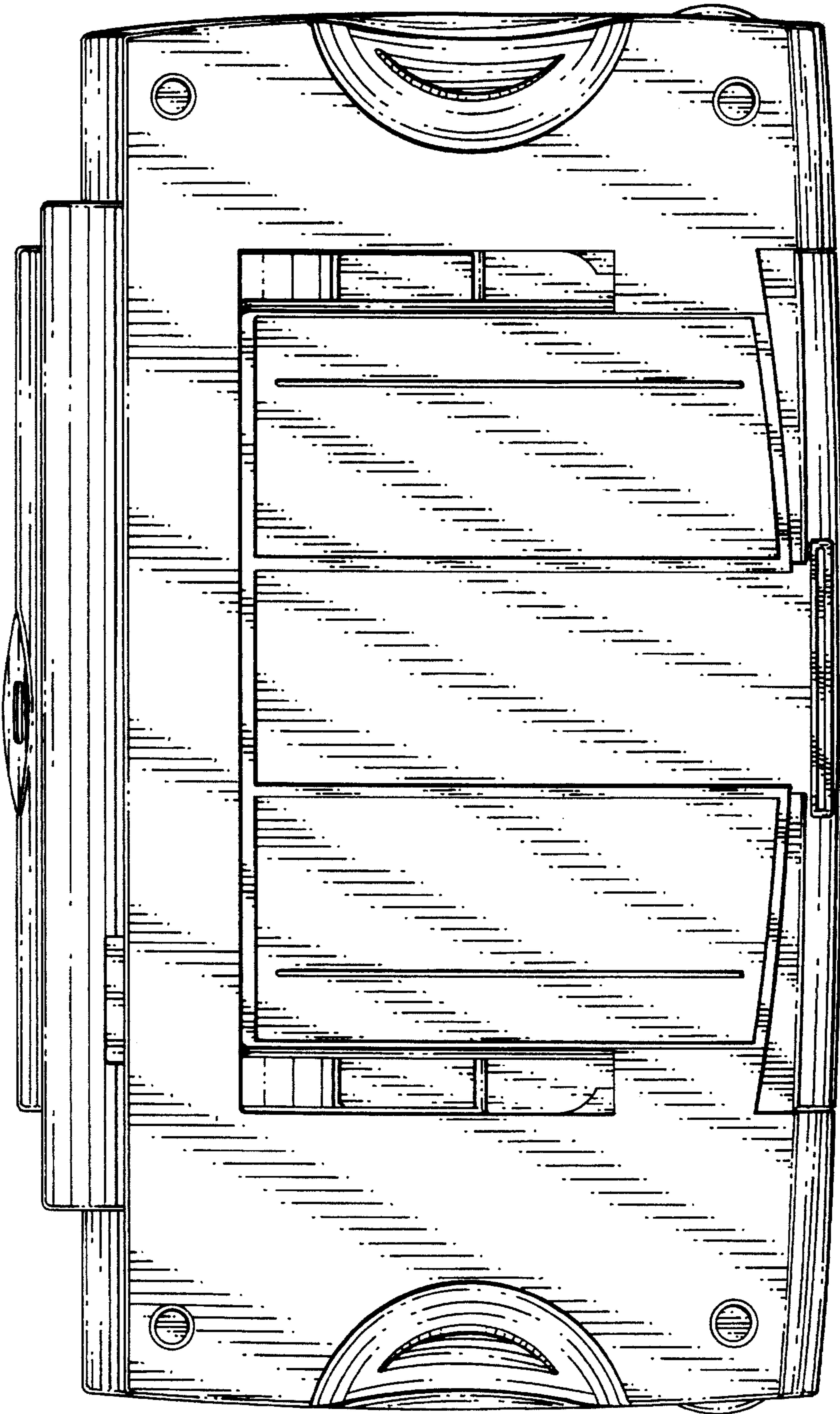


FIG. 7