



US00D367879S

# United States Patent [19]

Smith et al.

[11] Patent Number: **Des. 367,879**

[45] Date of Patent: **\*\*Mar. 12, 1996**

[54] **STAMP PAD CONTAINER**

[75] Inventors: **Jeffrey Smith**, San Mateo; **Jeffrey A. Hofer**, Sunnyvale; **Gerard A. Fubershaw**, Menlo Park, all of Calif.

[73] Assignee: **Rubber Stampede**, Oakland, Calif.

[\*\*] Term: **14 Years**

[21] Appl. No.: **39,523**

[22] Filed: **May 30, 1995**

[52] U.S. Cl. .... **D18/18**; D18/17; D9/424; D19/70

[58] **Field of Search** ..... D18/14, 15, 17, D18/18; D19/65, 70; 101/327, 368, 405, 406, 333, 334, 335; 118/248, 258, 264, 268, 269, 270

[56] **References Cited**

**U.S. PATENT DOCUMENTS**

D. 97,510 11/1935 Shirriff ..... D9/341

D. 192,459	3/1962	Pajek .....	D19/70
D. 290,750	7/1987	Goberman .....	D28/83
D. 301,641	6/1989	Trabattoni .....	D28/83 X
D. 308,636	6/1990	Dinand .....	D9/424
944,314	12/1909	Bunch .....	118/270 X

*Primary Examiner*—Martie Thompson  
*Attorney, Agent, or Firm*—Donald L. Beeson

[57] **CLAIM**

The ornamental design for a stamp pad container, as shown and described.

**DESCRIPTION**

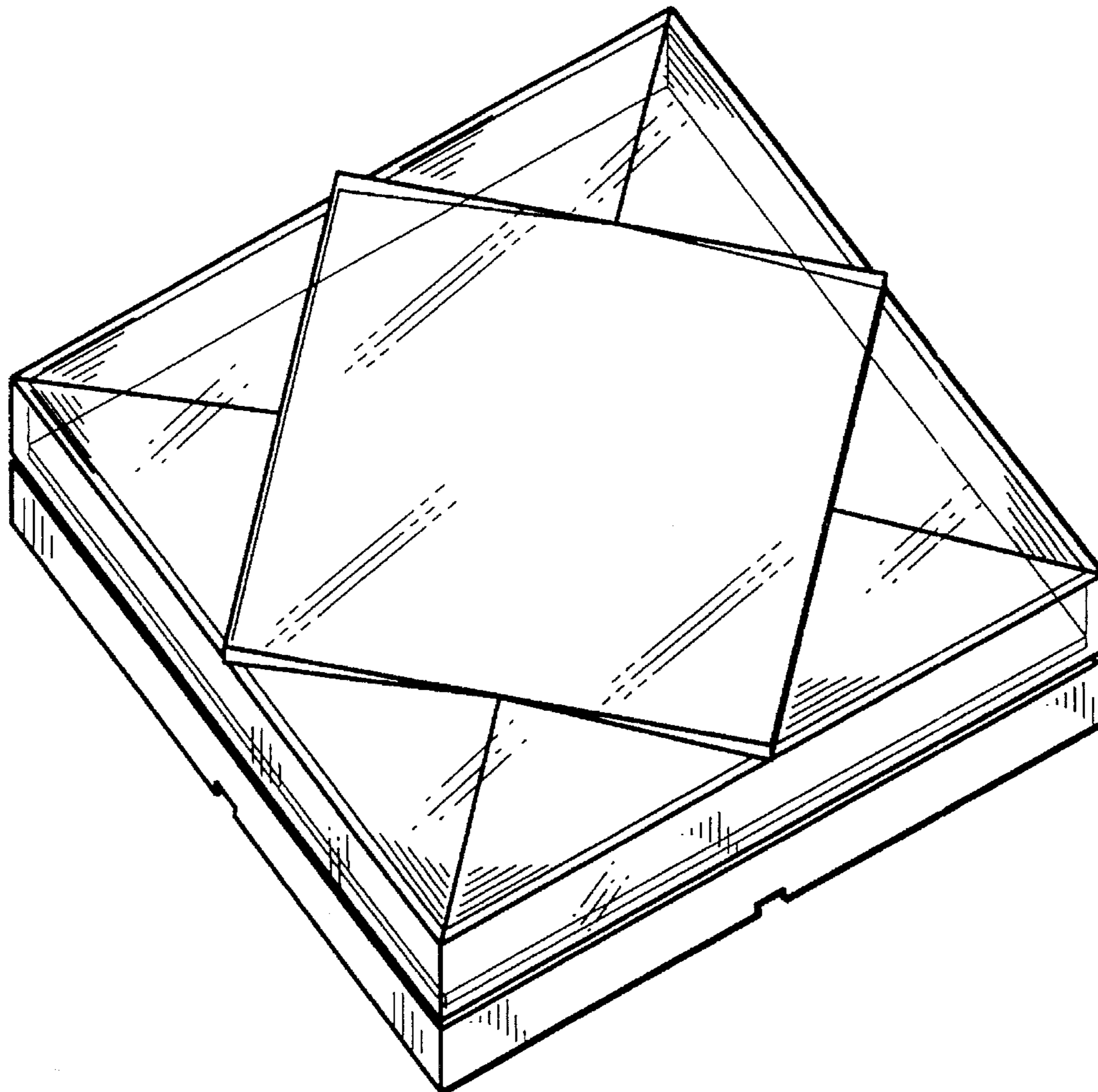
FIG. 1 is a top perspective view of a stamp pad container in accordance with the invention;

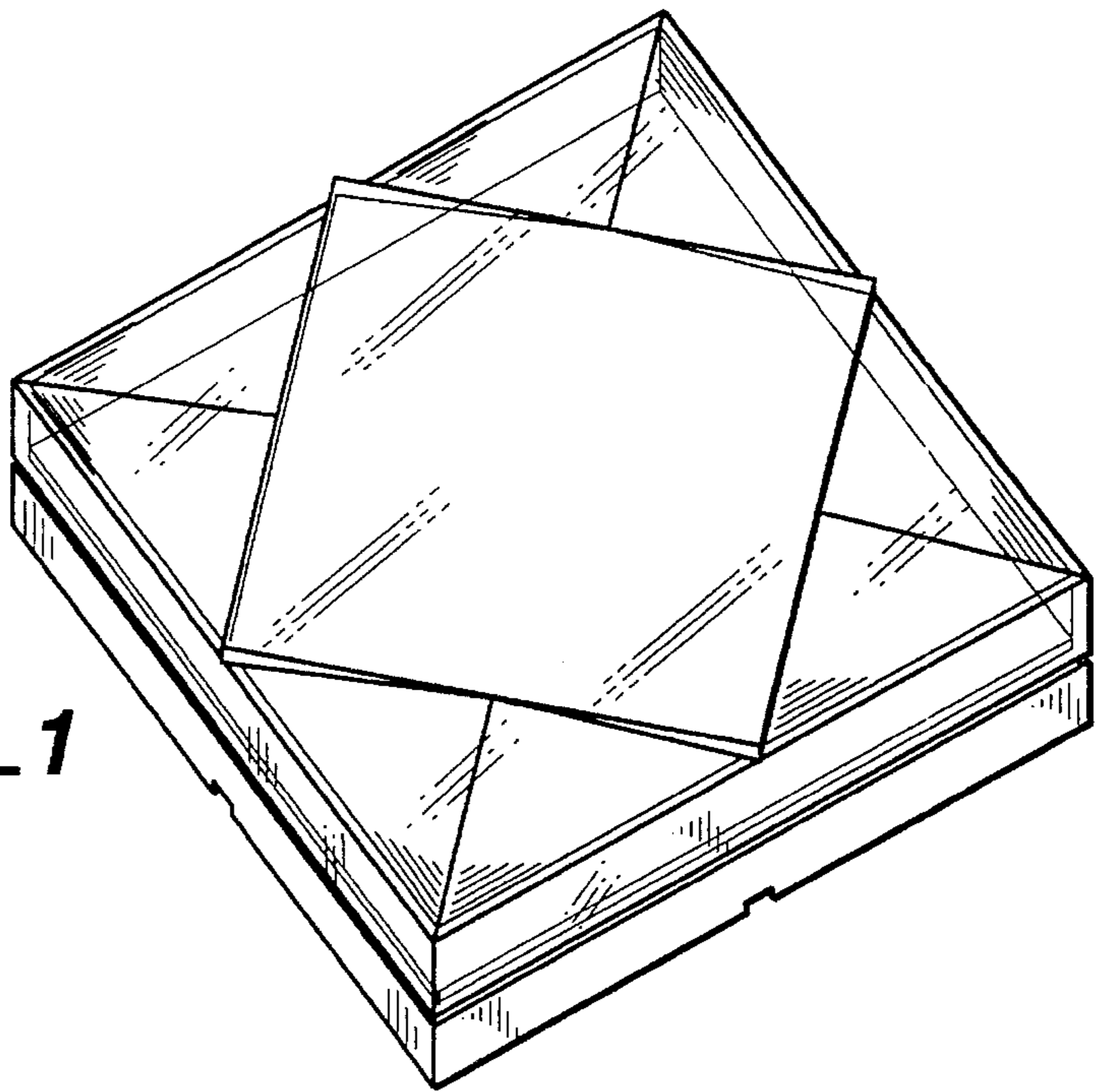
FIG. 2 is a left side elevational view thereof, the right side being a mirror image;

FIG. 3 is a top plan view thereof; and,

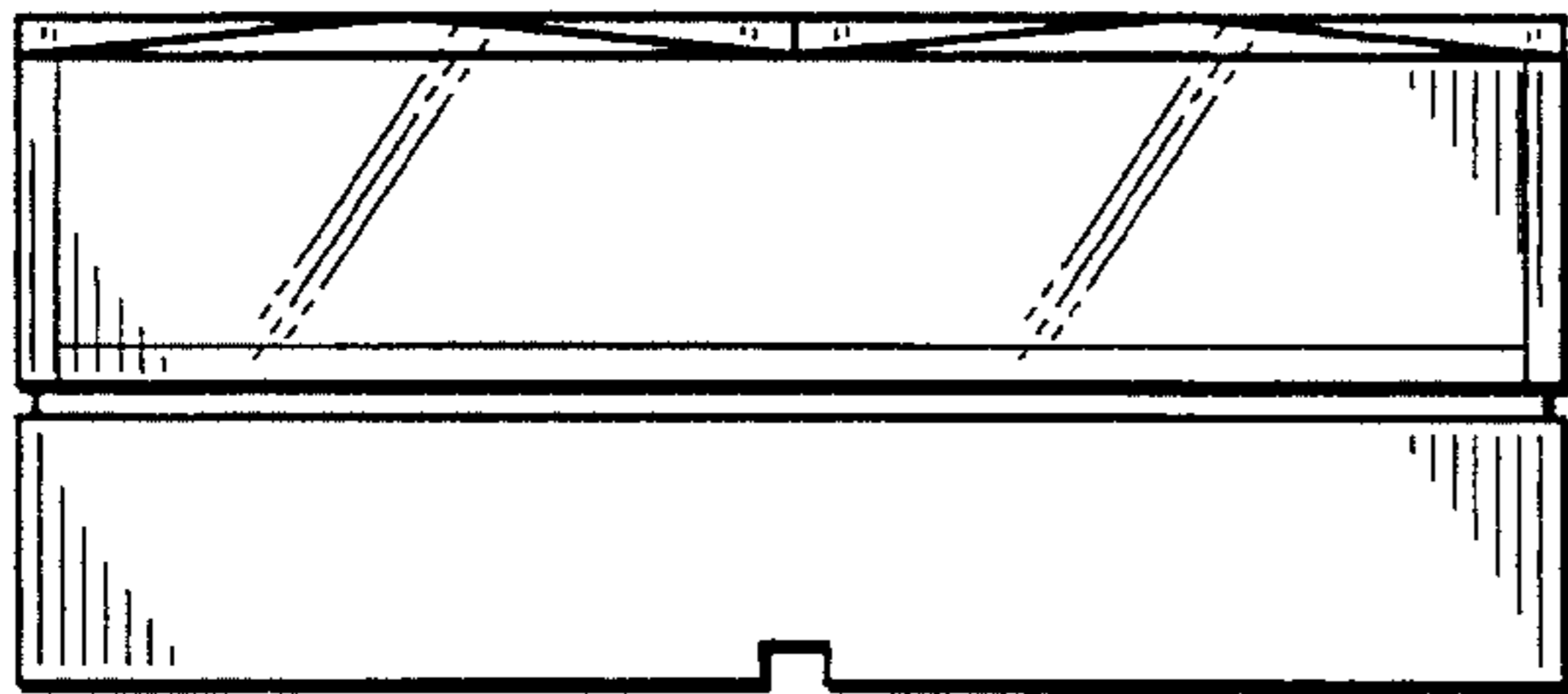
FIG. 4 is a bottom plan view thereof.

**1 Claim, 1 Drawing Sheet**

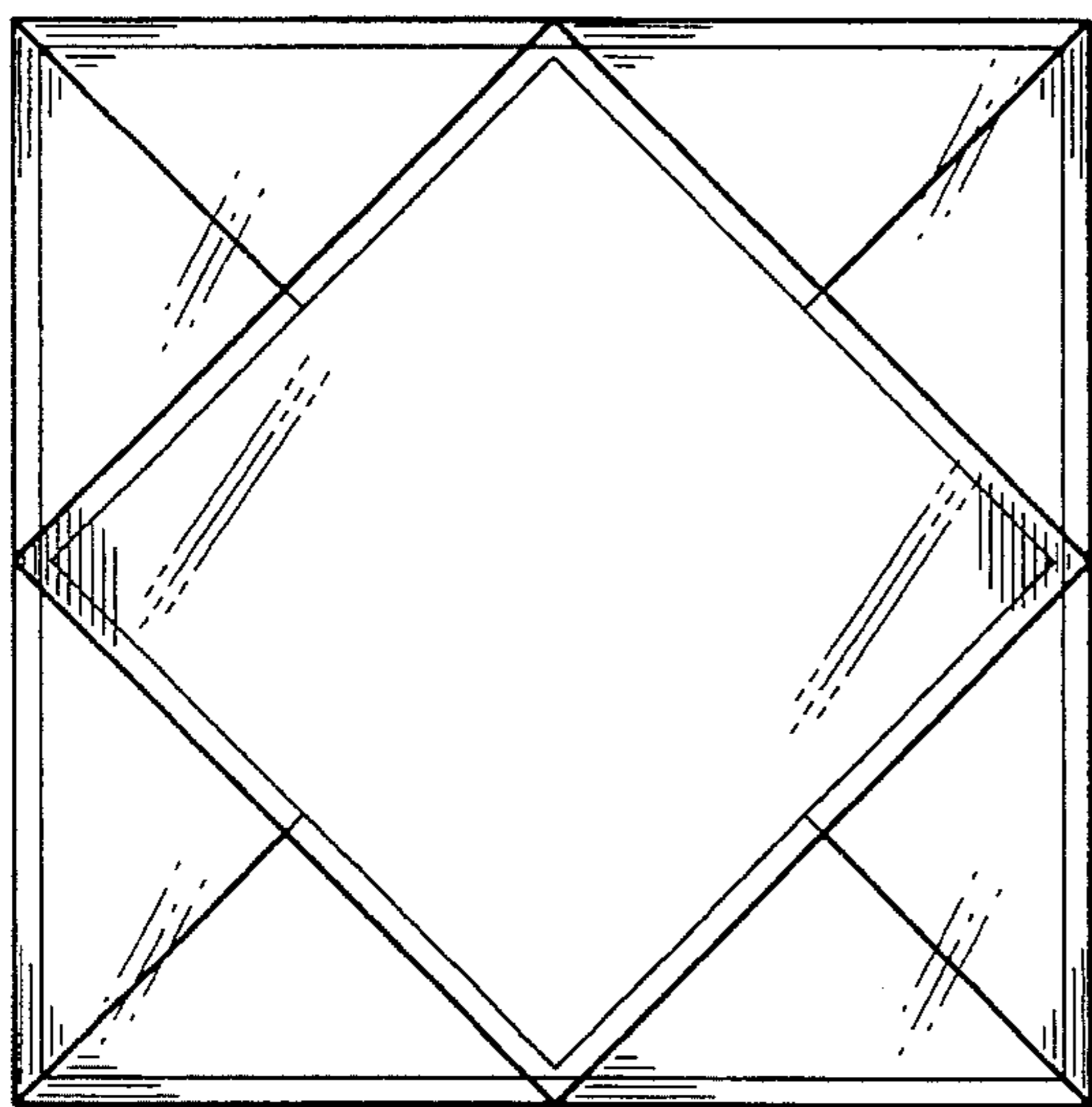




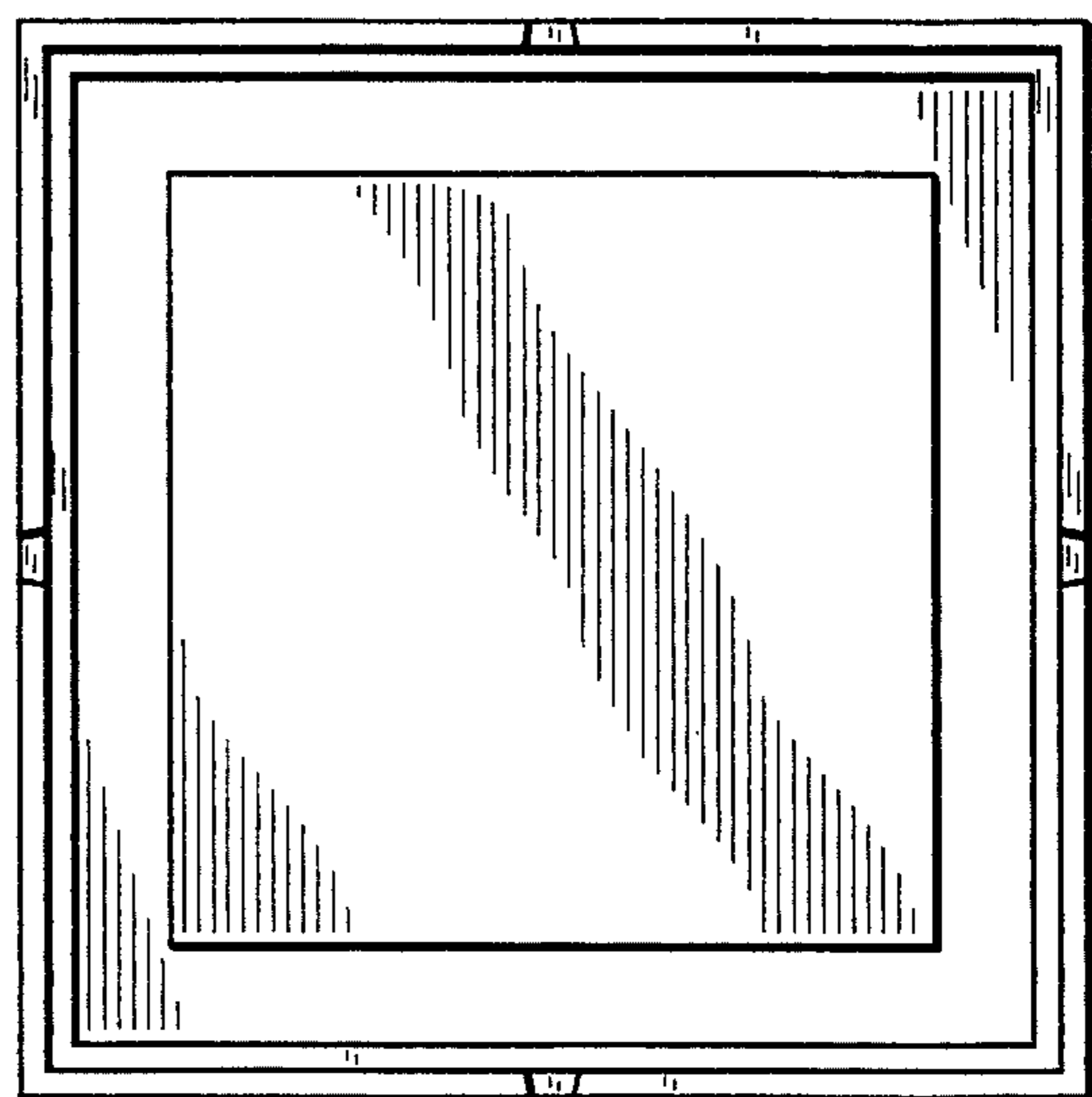
**FIG.\_1**



**FIG.\_2**



**FIG.\_3**



**FIG.\_4**