



US00D367875S

United States Patent [19]

Lutz et al.

[11] Patent Number: **Des. 367,875**

[45] Date of Patent: ****Mar. 12, 1996**

[54] **DIVING MASK WITH FOUR WINDOWS**

5,277,179 1/1994 Stone et al. .
5,329,643 7/1994 Sato .

[75] Inventors: **James R. Lutz**, Round Lake; **Russell Robertson**, Chicago; **Craig Scherer**, Wilmette, all of Ill.

OTHER PUBLICATIONS

Skin Diver Mar. 1986 p. 1, Mask on left side of page.
Hong Kong Toys, '88, p. 208 Mask #1, center of page.

[73] Assignee: **Dacor Corporation**, Northfield, Ill.

Primary Examiner—Ted Shooman
Assistant Examiner—R. Barkai
Attorney, Agent, or Firm—Greer, Burns & Crain, Ltd.

[**] Term: **14 Years**

[21] Appl. No.: **28,892**

[57] CLAIM

[22] Filed: **Sep. 23, 1994**

The ornamental design for a diving mask with four windows, as shown and described.

[52] U.S. Cl. **D16/311**

[58] Field of Search D16/306, 310-314,
D16/330, 337, 338, 340; 2/427, 428, 430,
431, 432, 439, 449, 452

DESCRIPTION

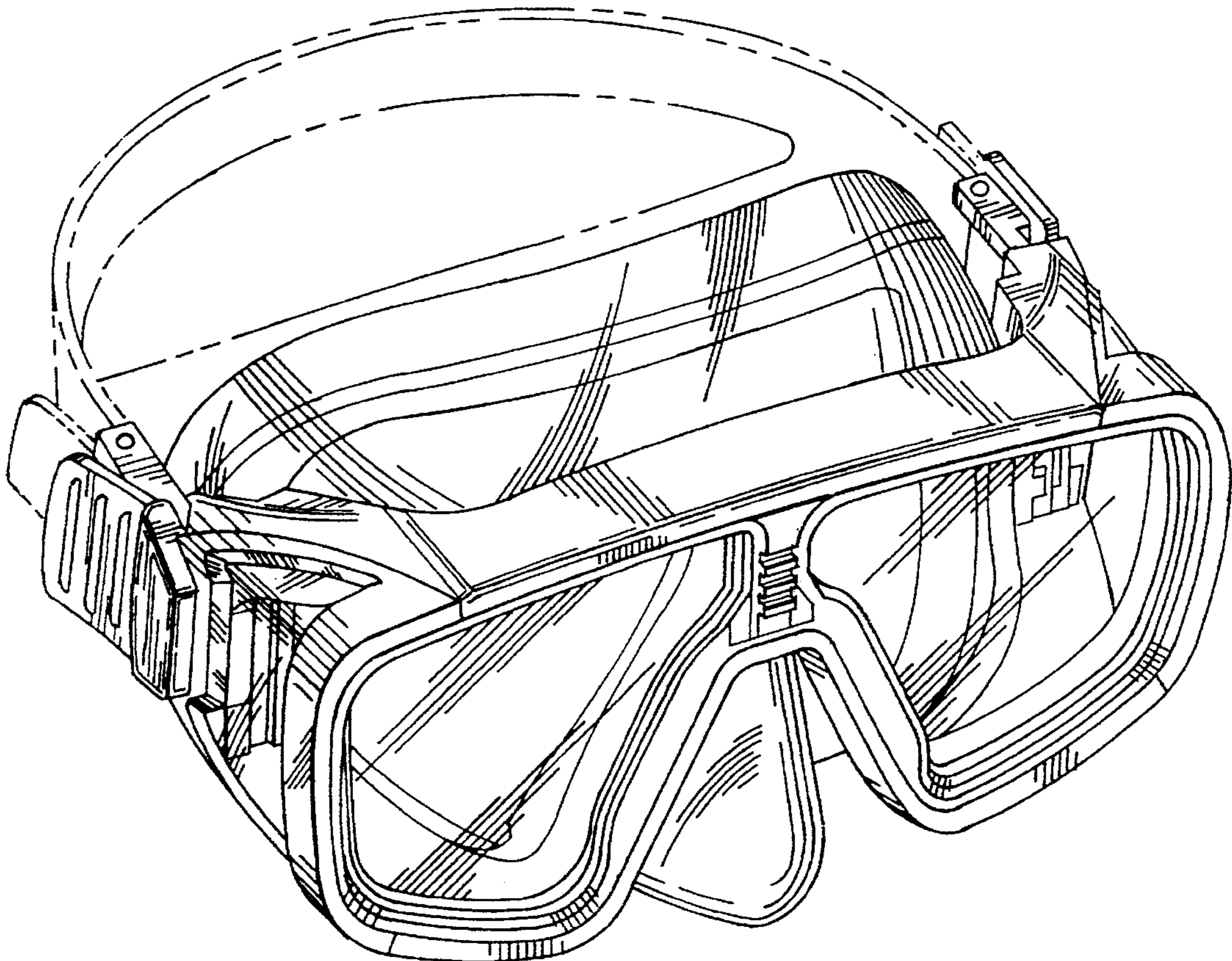
[56] References Cited

U.S. PATENT DOCUMENTS

D. 290,710	7/1987	Aliberti	D16/311
D. 290,763	7/1987	Walsh .	
D. 302,747	8/1989	Hattori .	
D. 334,999	4/1993	Faulconer et al. .	
D. 343,029	1/1994	Berenson	D16/311
3,908,196	9/1975	Ferraro	2/428
4,607,398	8/1986	Faulconer	2/452
4,856,120	8/1989	Hart .	

FIG. 1 is a front top left side perspective view of a diving mask with four windows showing our new design, the broken line showing of the strap is for illustrative purposes only and forms no part of the claimed design;
FIG. 2 is a left side elevational view thereof, the right side being a mirror image;
FIG. 3 is a front view of the mask of the invention;
FIG. 4 is a rear view thereof;
FIG. 5 is a top plan view of the mask of the invention; and,
FIG. 6 is a bottom plan view thereof.

1 Claim, 3 Drawing Sheets



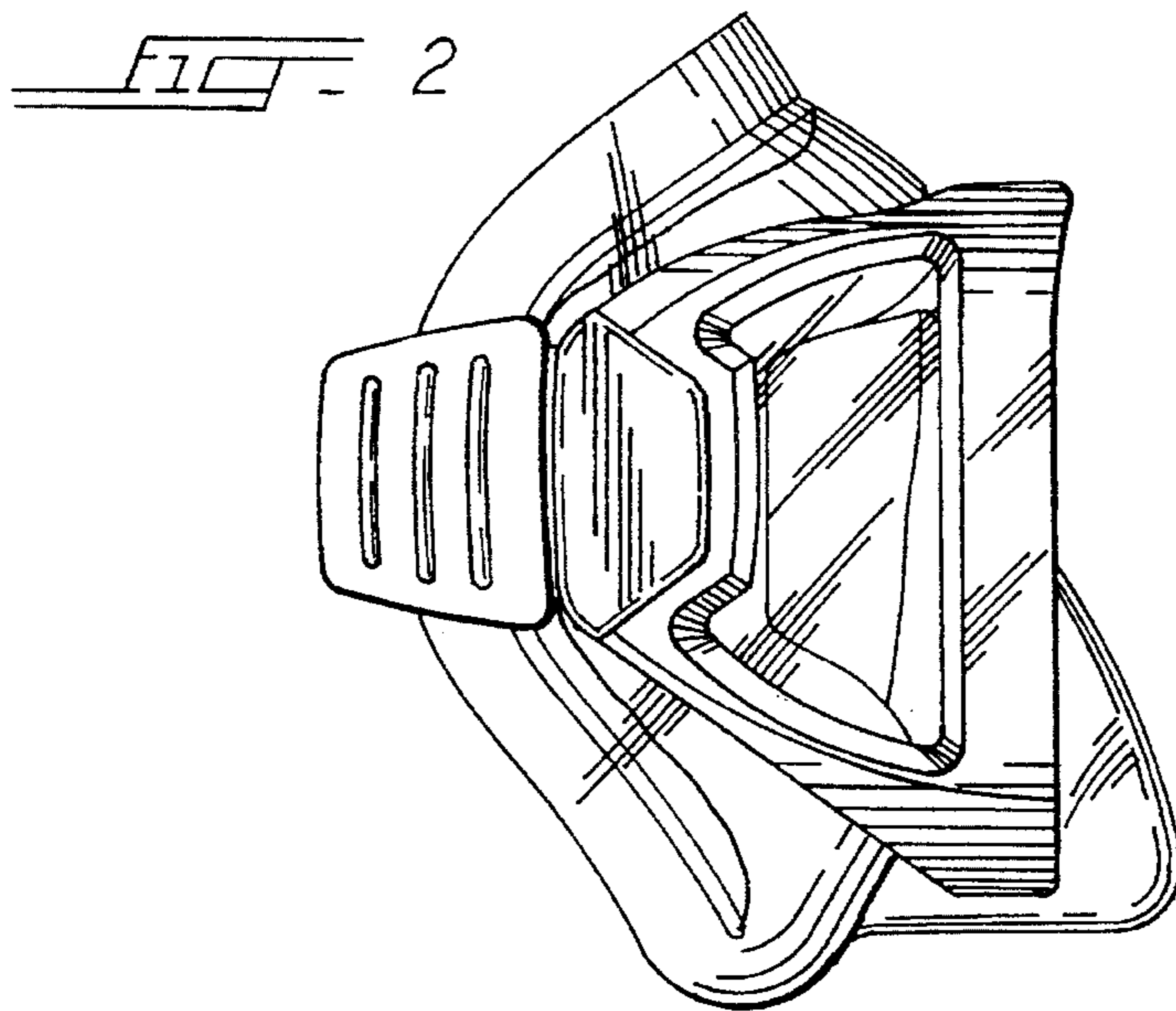
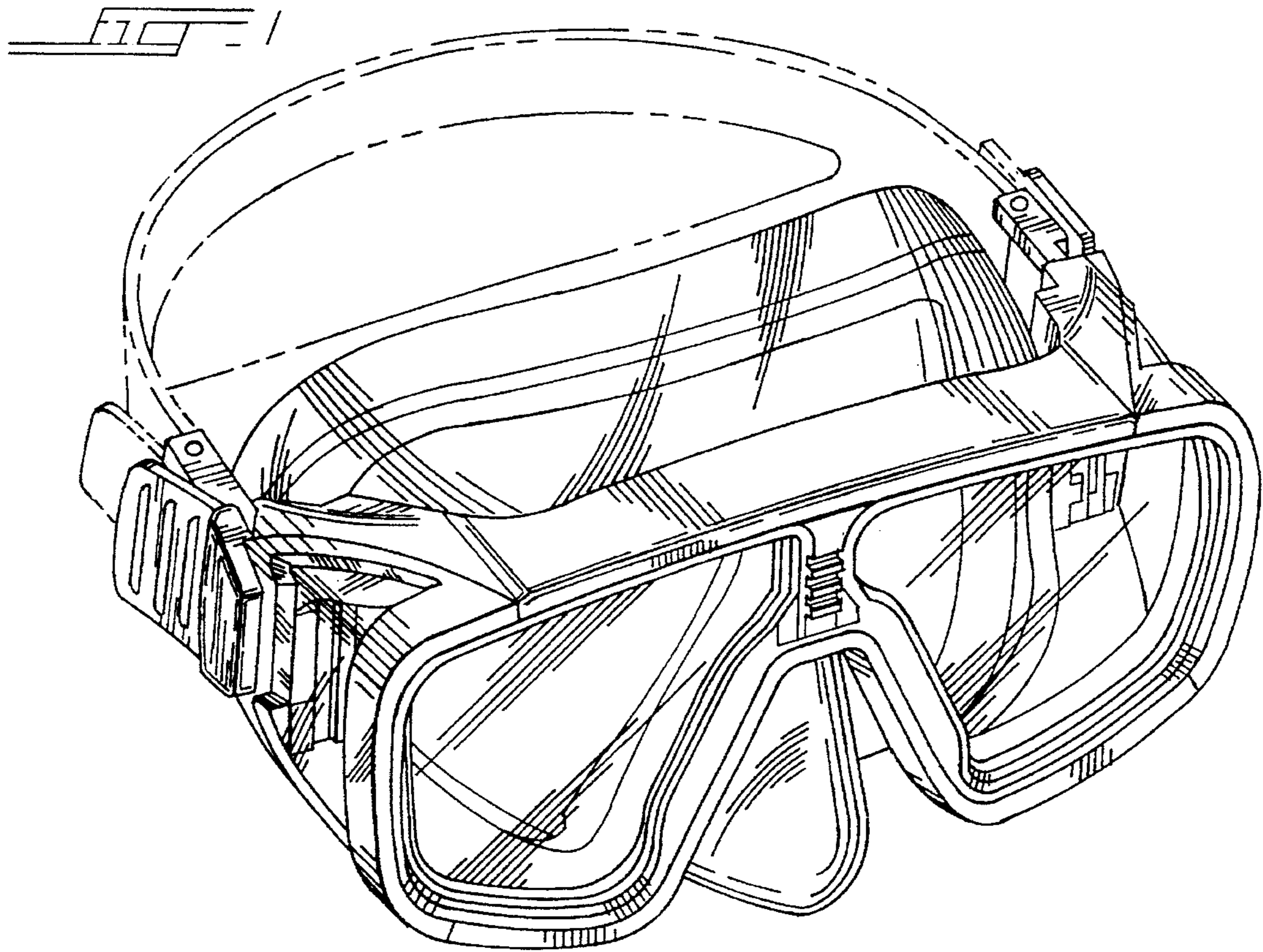


FIG. 3

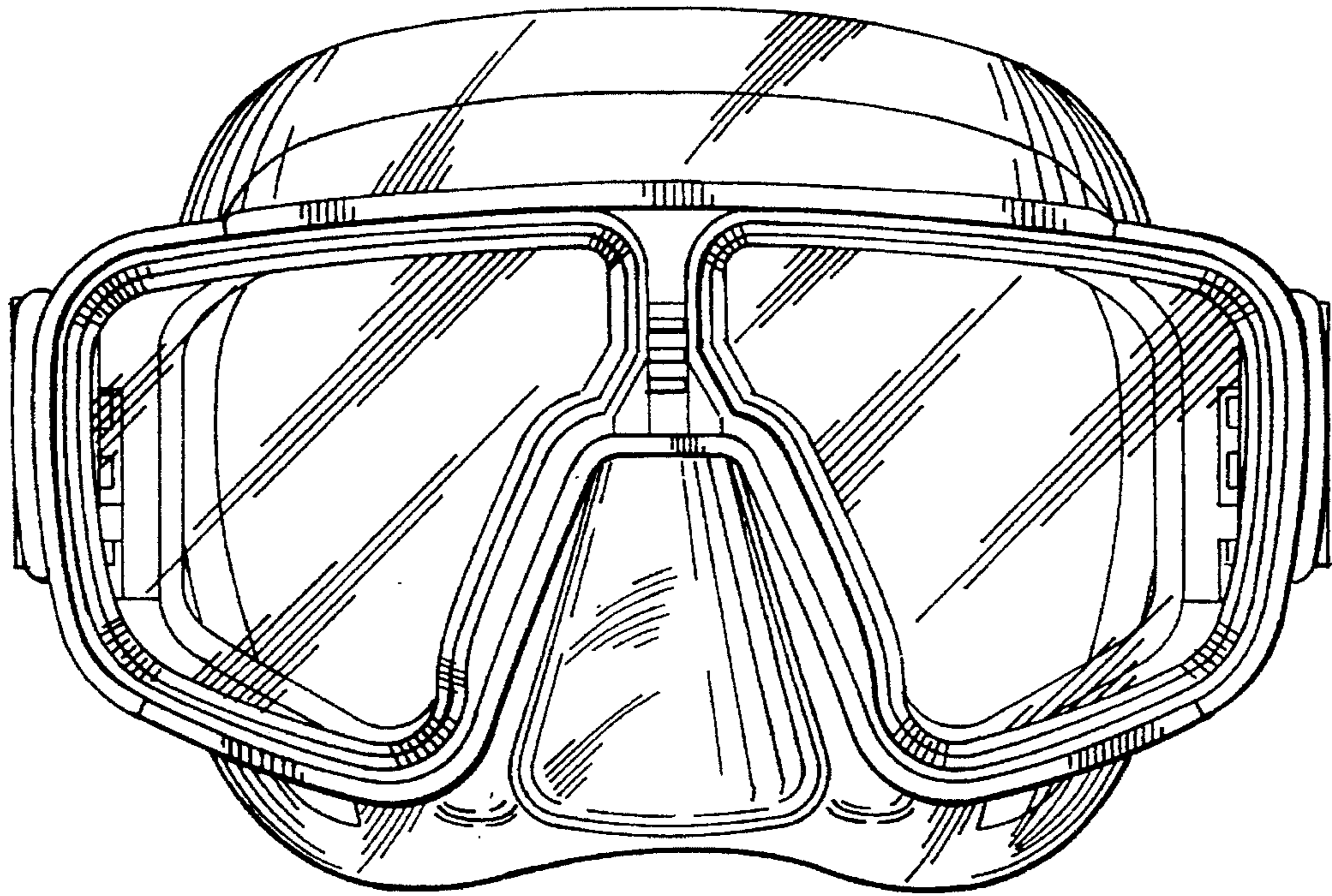


FIG. 4

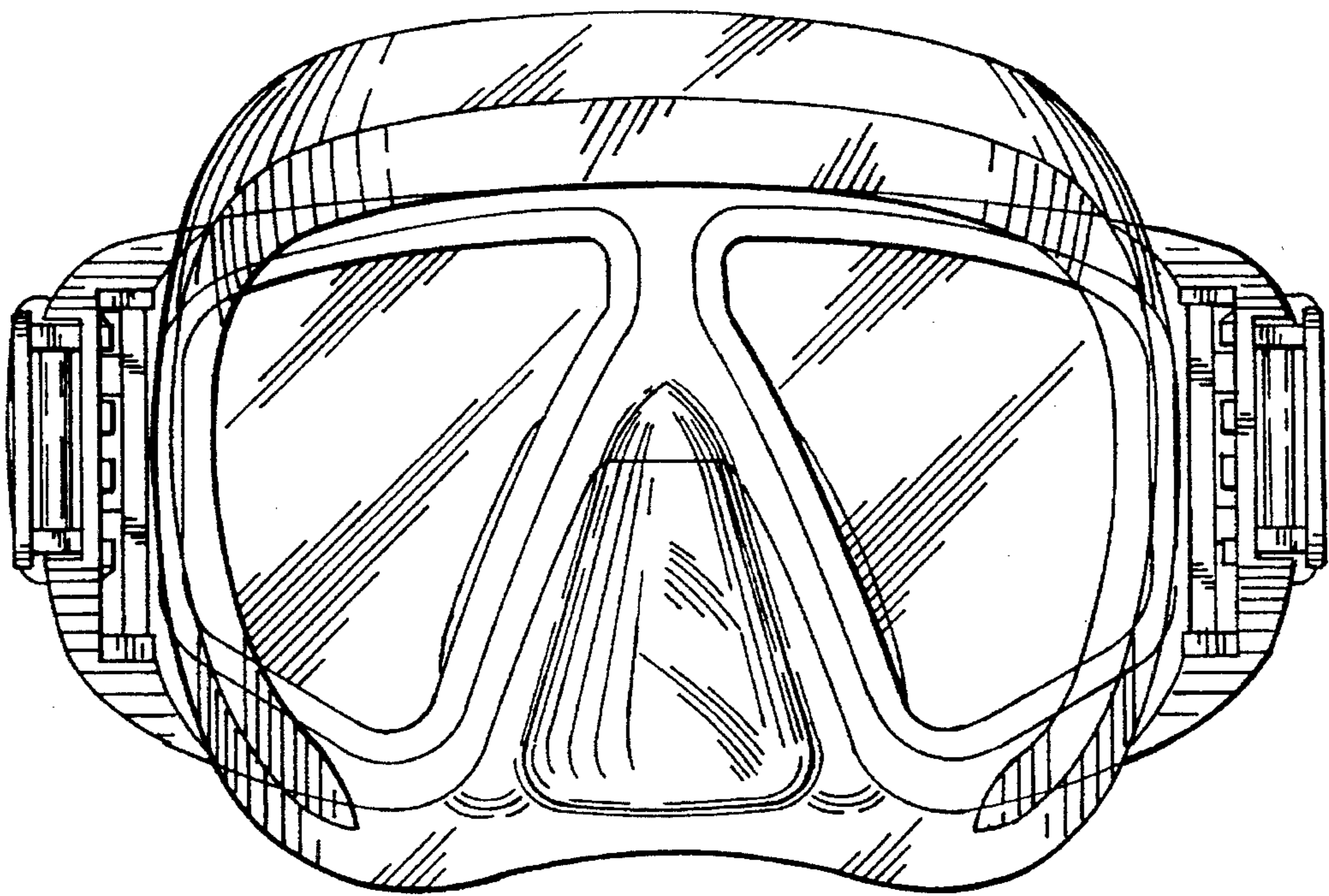


FIG. 5

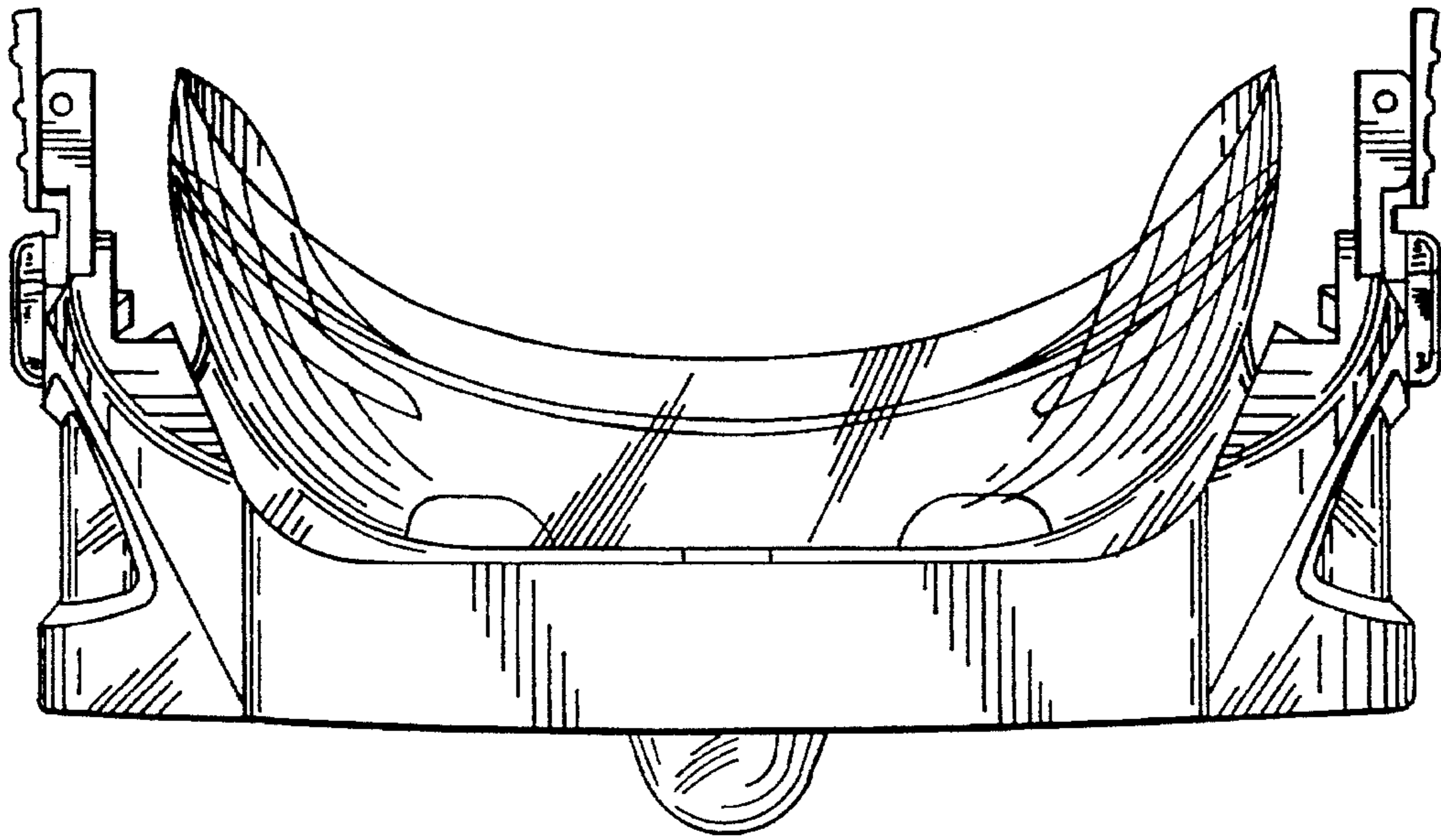


FIG. 6

