



US00D367873S

# United States Patent [19]

[11] Patent Number: **Des. 367,873**

Connolly et al.

[45] Date of Patent: **\*\*Mar. 12, 1996**

[54] **BILL CLIP-ON, TILT-UP SUNGLASSES**

5,422,686 6/1995 Kelman et al. .... 2/10

[76] Inventors: **Peter F. Connolly**, 57 Farrand Dr., Parsippany, N.J. 07054; **Jack Provost**, 17F Canterbury Rd., Chatham, N.J. 07928

*Primary Examiner*—Prabhakar G. Deshmukh  
*Assistant Examiner*—R. Barkai  
*Attorney, Agent, or Firm*—Thomas L. Adams

[\*\*] Term: **14 Years**

[57] **CLAIM**

The ornamental design for bill clip-on, tilt-up sunglasses, as shown and described.

[21] Appl. No.: **26,249**

**DESCRIPTION**

[22] Filed: **Jul. 22, 1994**

[52] U.S. Cl. .... **D16/304**; D16/900

[58] **Field of Search** ..... D16/304, 306, D16/307, 310, 312, 314, 322-329, 332, 333, 335, 900; D2/866, 872, 873, 876, 879, 882; D29/6, 9; 351/44, 47, 51, 57, 58, 59, 111, 119, 121, 158; 2/10, 209.13

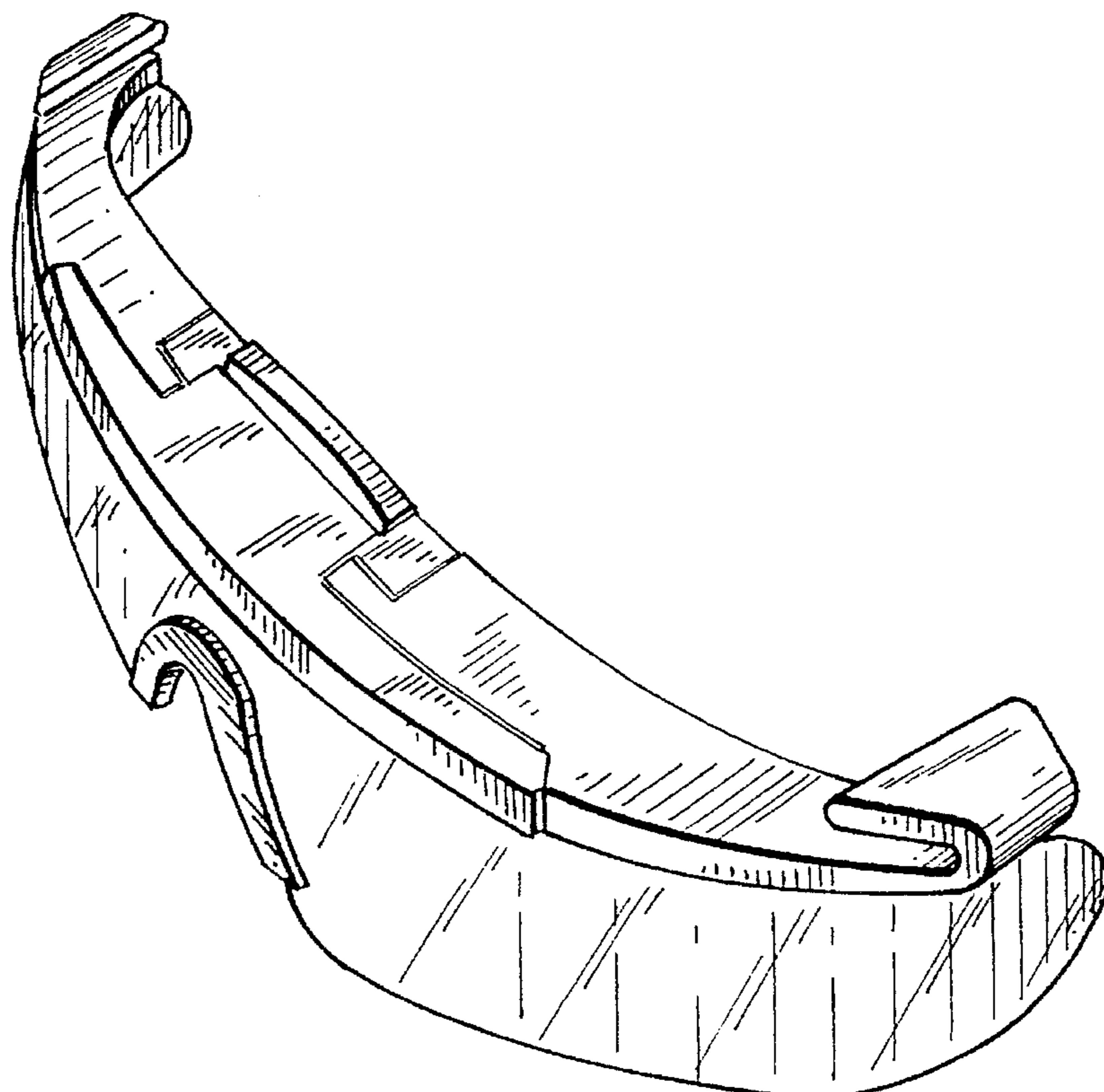
FIG. 1 is a perspective view of bill clip-on, tilt-up sunglasses showing our new design;  
FIG. 2 is a left side elevational view thereof, the right side elevational view being a mirror image thereof;  
FIG. 3 is a top plan view thereof;  
FIG. 4 is a front elevational view thereof;  
FIG. 5 is a bottom plan view thereof;  
FIG. 6 is a rear elevational view thereof;  
FIG. 7 is a perspective view of second embodiment of a bill clip-on, tilt-up sunglasses, enlarged to fit around prescription eyeglasses, and showing our new design;  
FIG. 8 is a left side elevational view thereof, the right side elevational view being a mirror image thereof;  
FIG. 9 is a top plan view thereof;  
FIG. 10 is a front elevational view thereof;  
FIG. 11 is a bottom plan view thereof; and,  
FIG. 12 is a rear elevational view thereof.

[56] **References Cited**

**U.S. PATENT DOCUMENTS**

D. 220,290	3/1971	Bloch	.....	D16/325
D. 293,450	12/1987	Jannard	.....	D16/314
D. 322,081	12/1991	Longsdorf	.....	D16/314
D. 329,445	9/1992	Jannard	.....	D16/314
4,810,080	3/1989	Grendol et al.	.....	351/158
4,819,274	4/1989	Day	.....	2/10
4,859,048	8/1989	Jannard	.....	351/44
5,208,916	5/1993	Kelman	.....	2/209.13
5,261,124	11/1993	Day	.....	2/10
5,412,812	5/1995	Gatchalian	.....	2/10

**1 Claim, 6 Drawing Sheets**



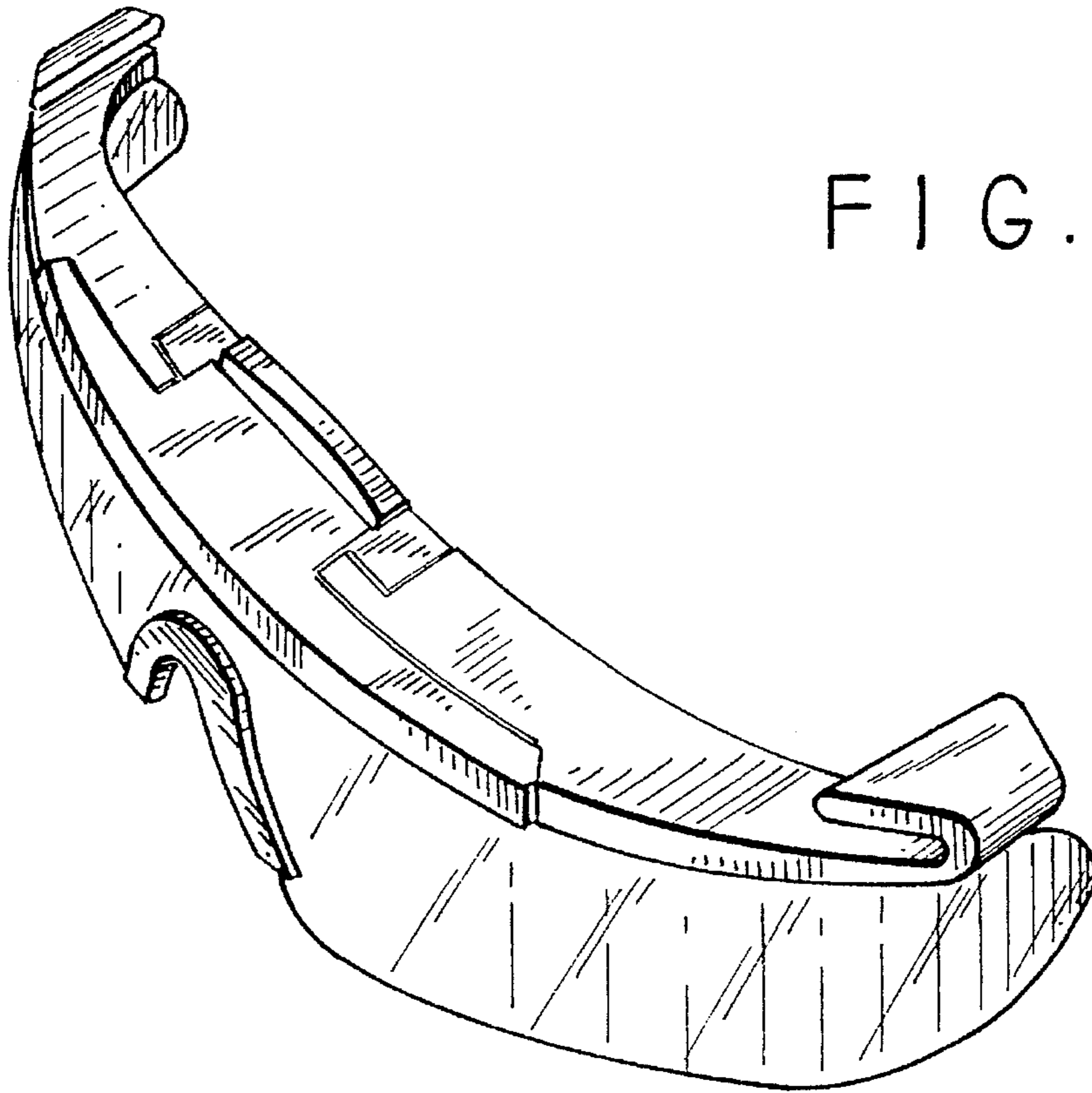


FIG. 1

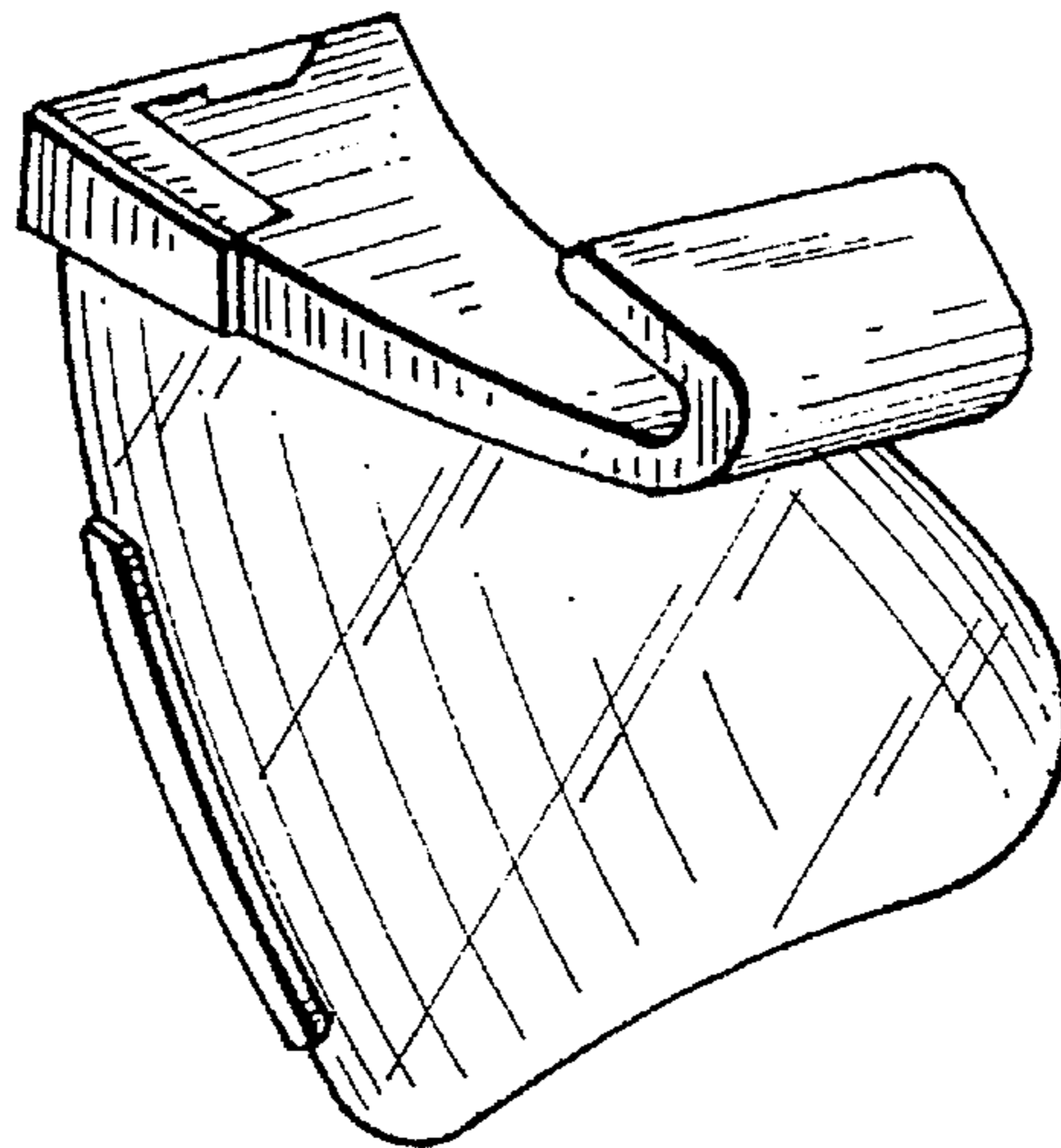


FIG. 2

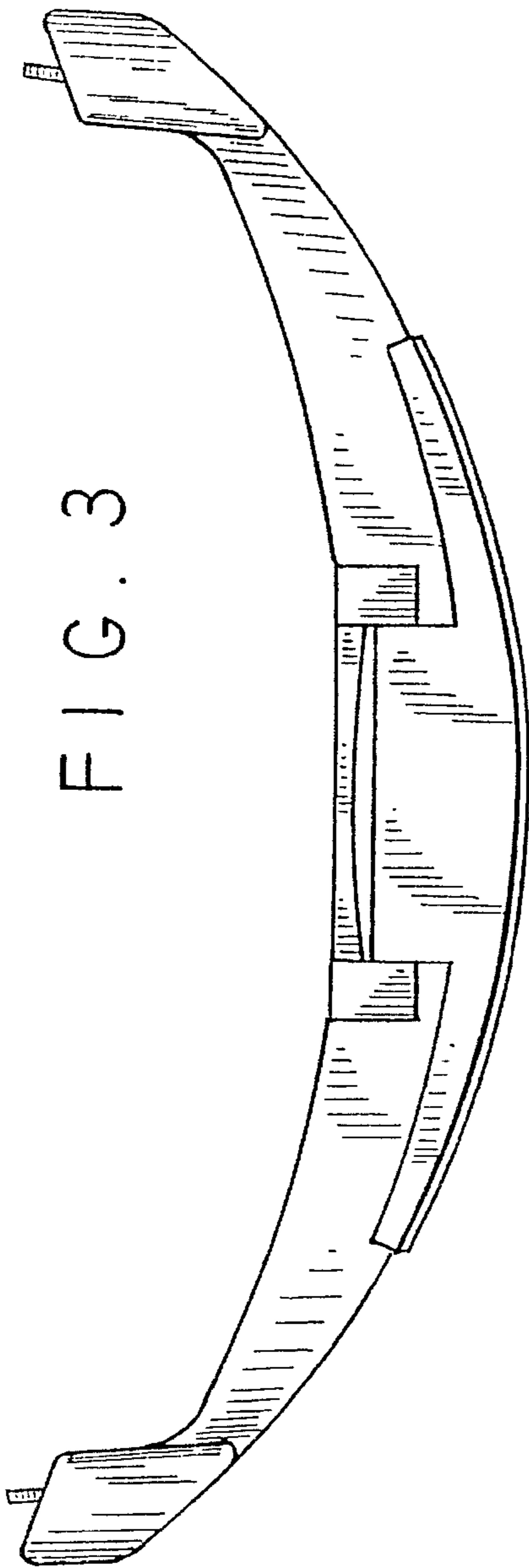
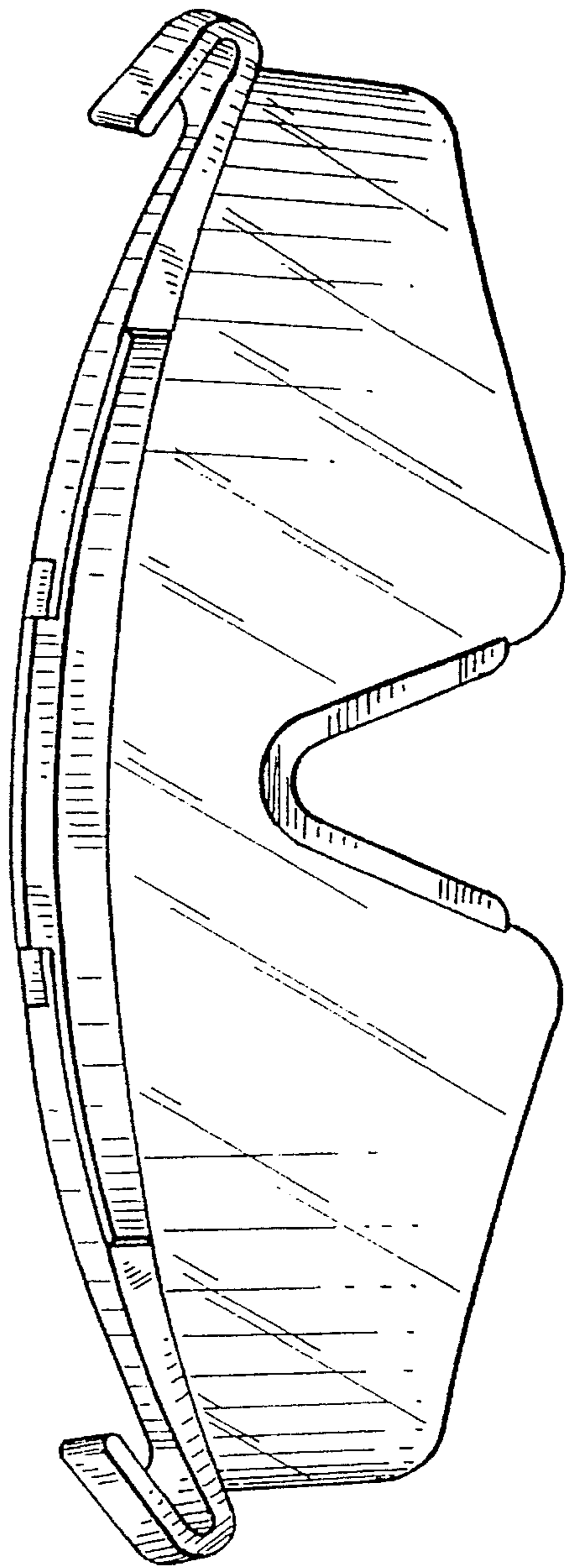


FIG. 4





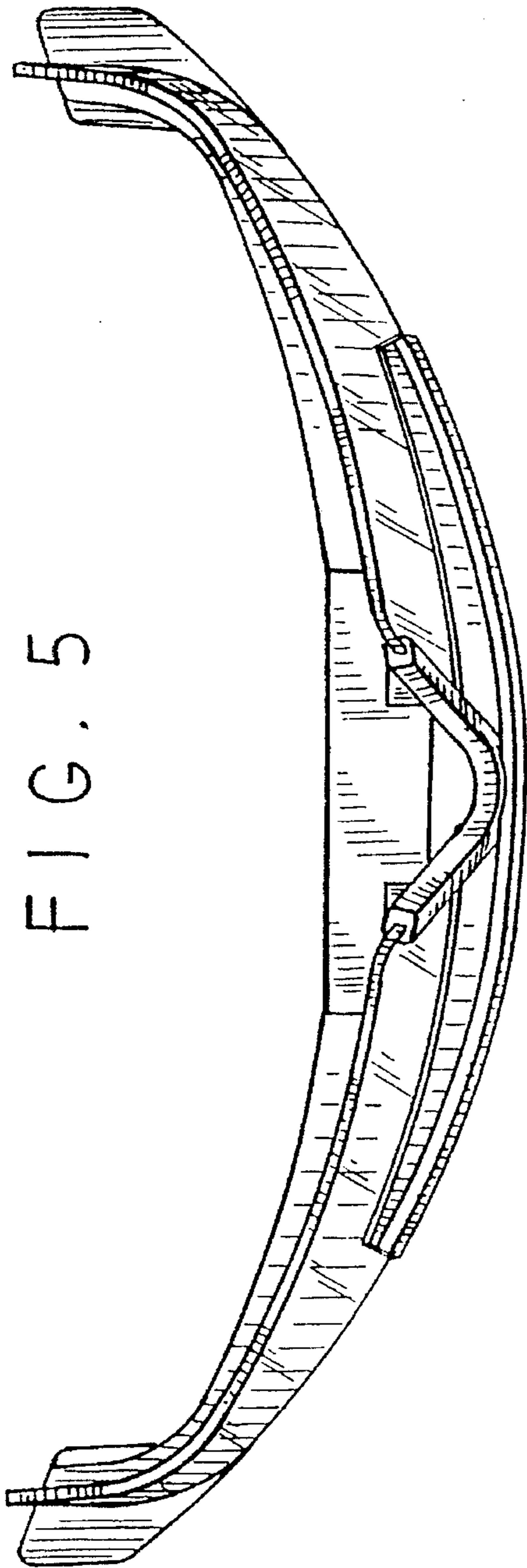
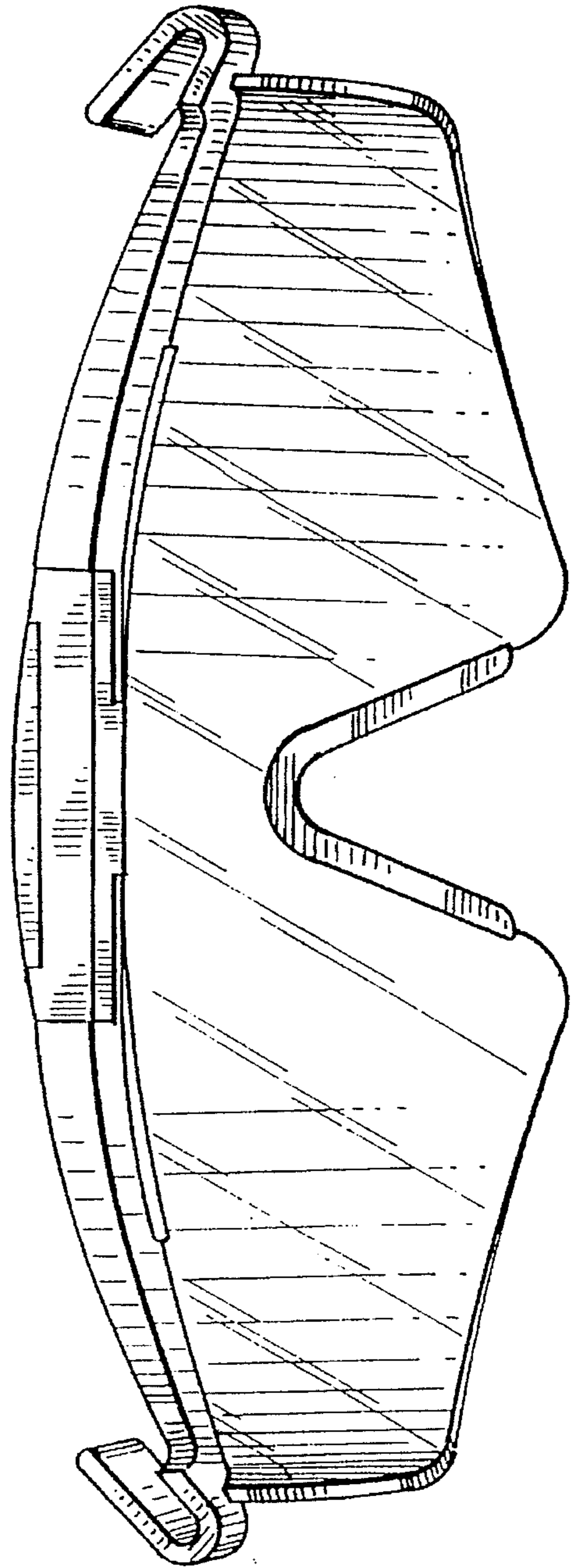


FIG. 5

FIG. 6



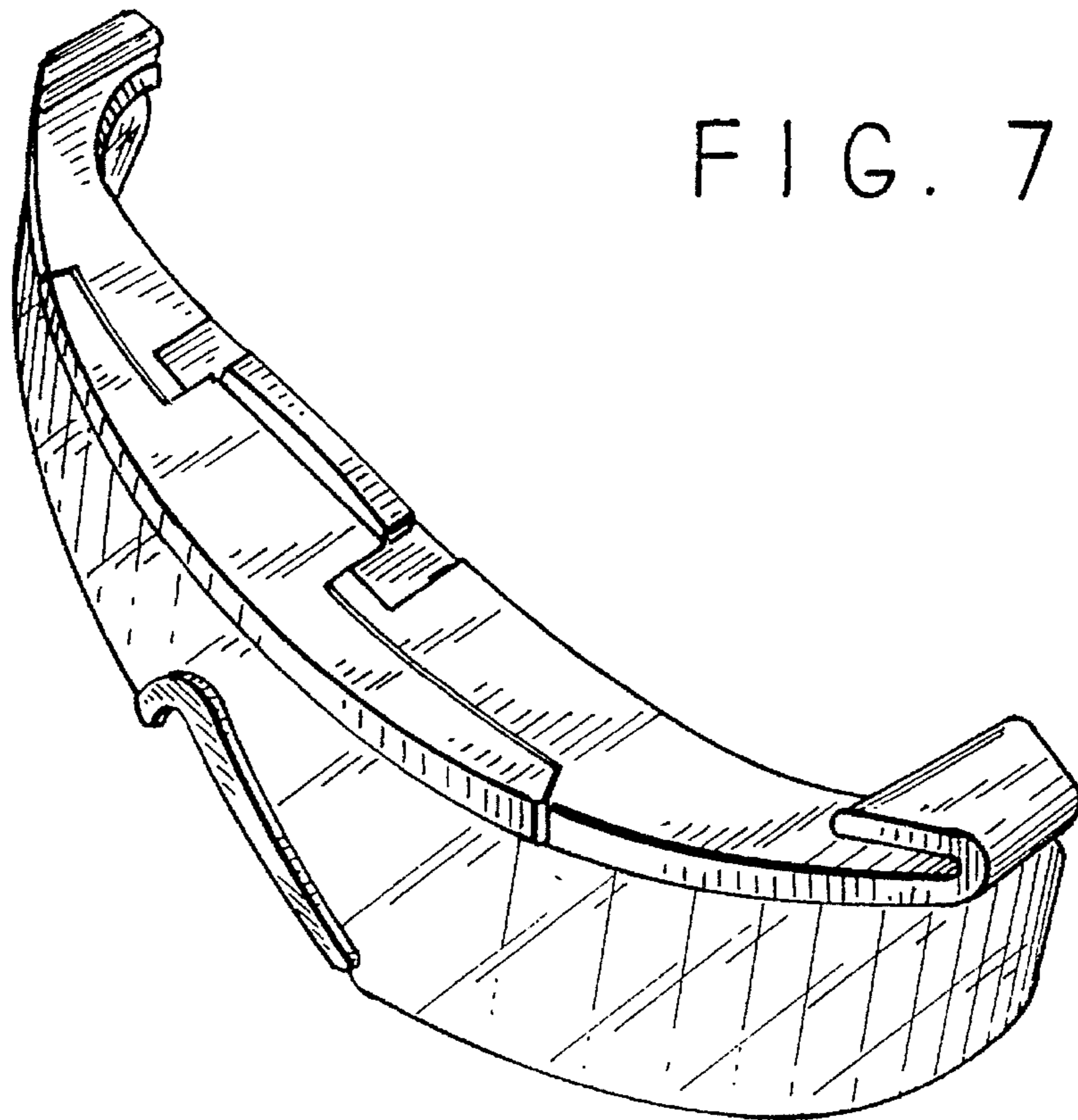
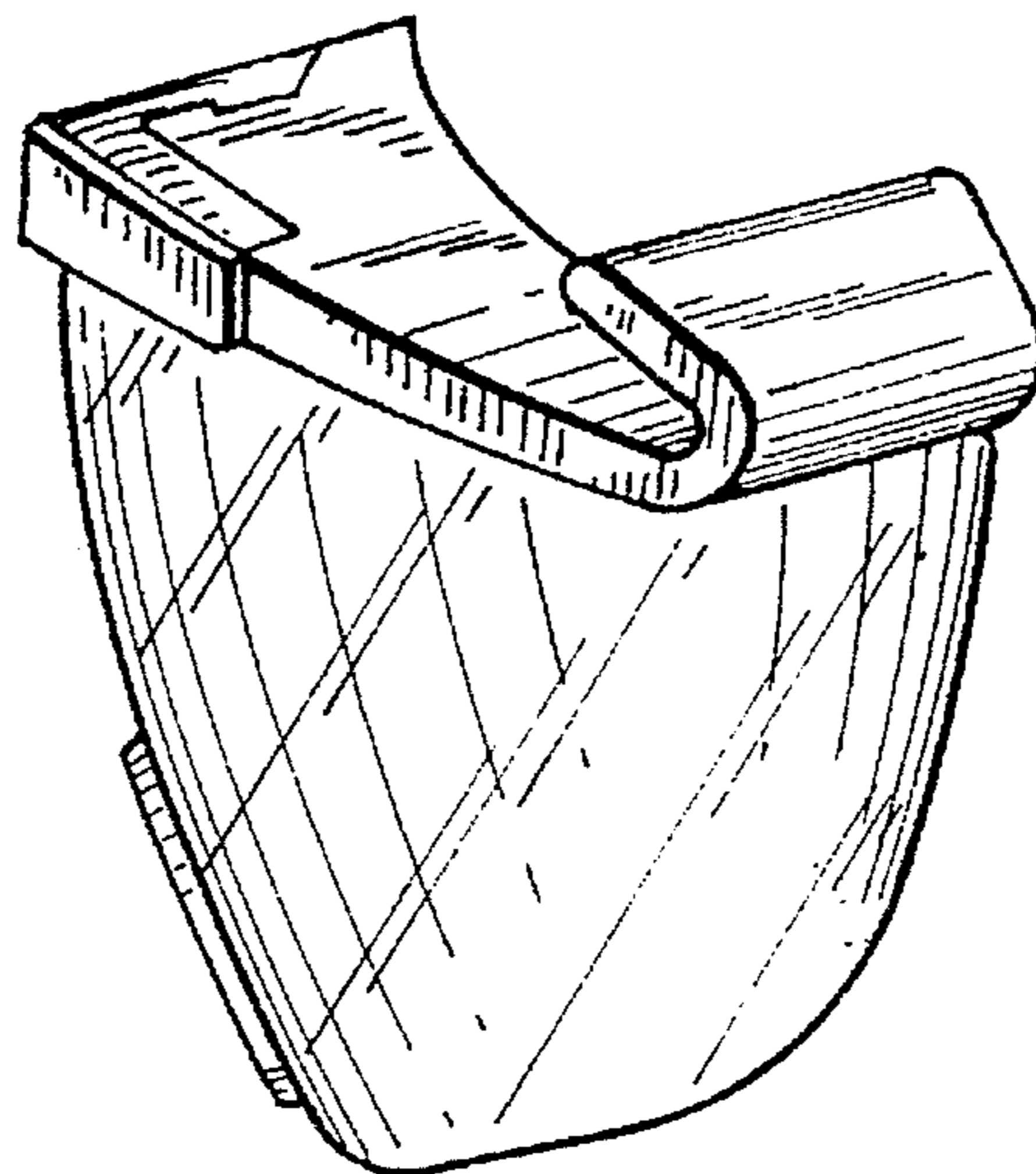


FIG. 7

FIG. 8



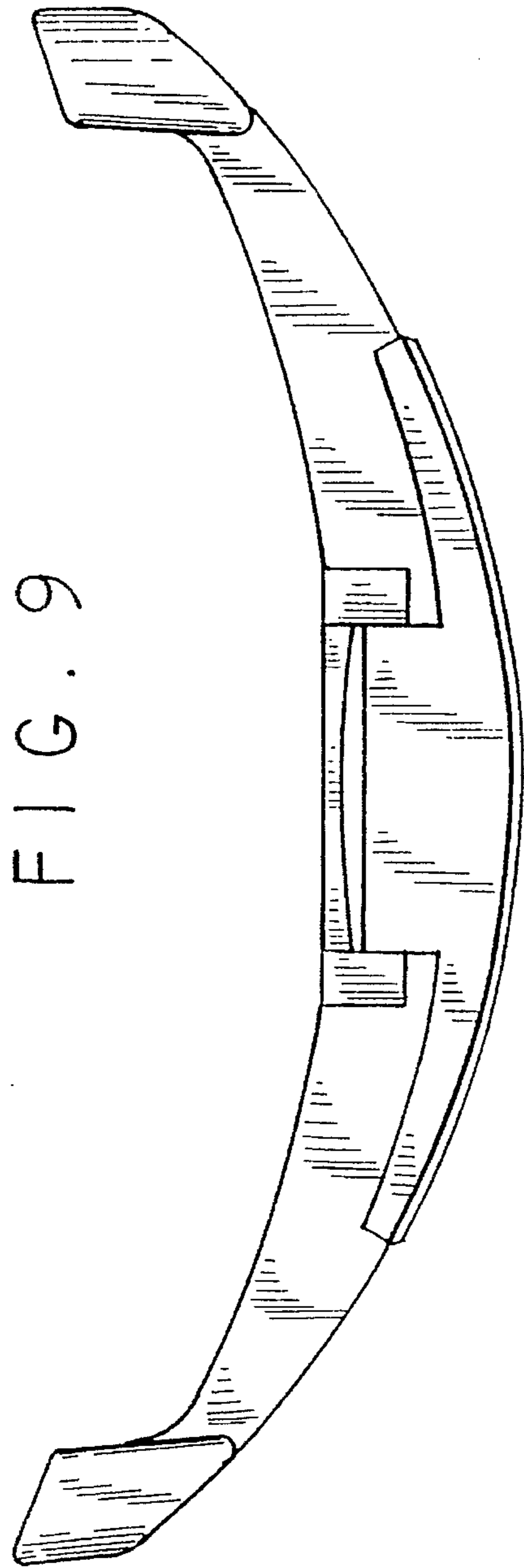
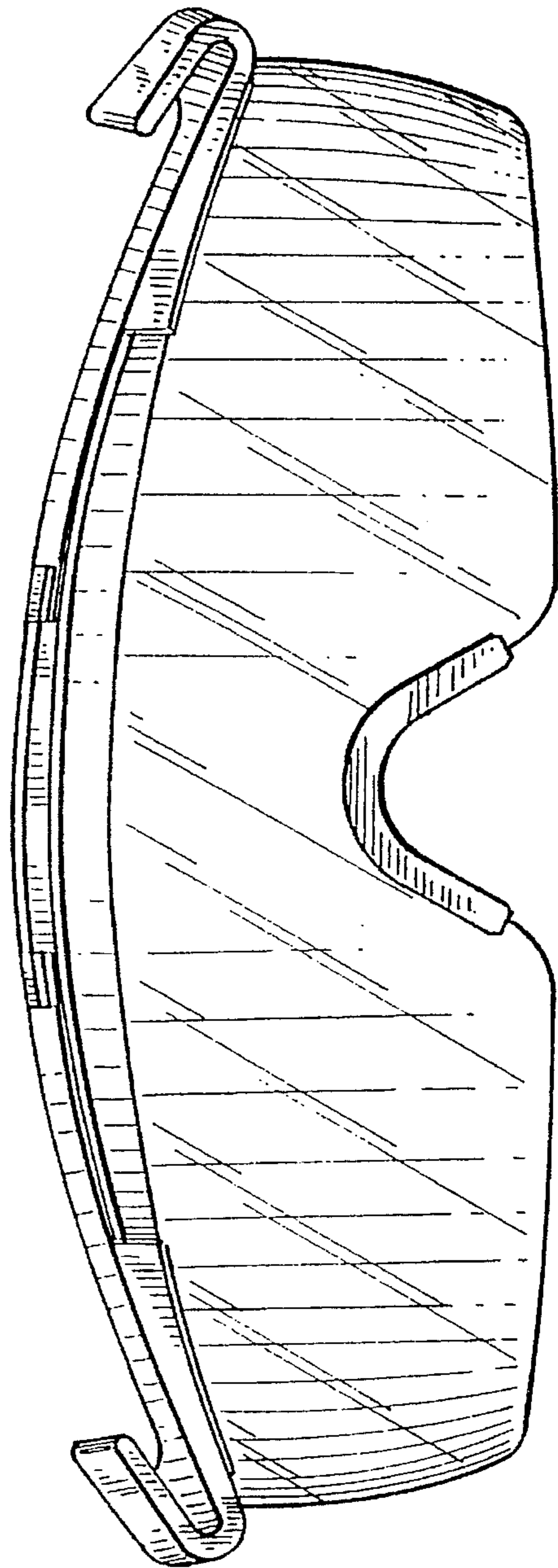


FIG. 10



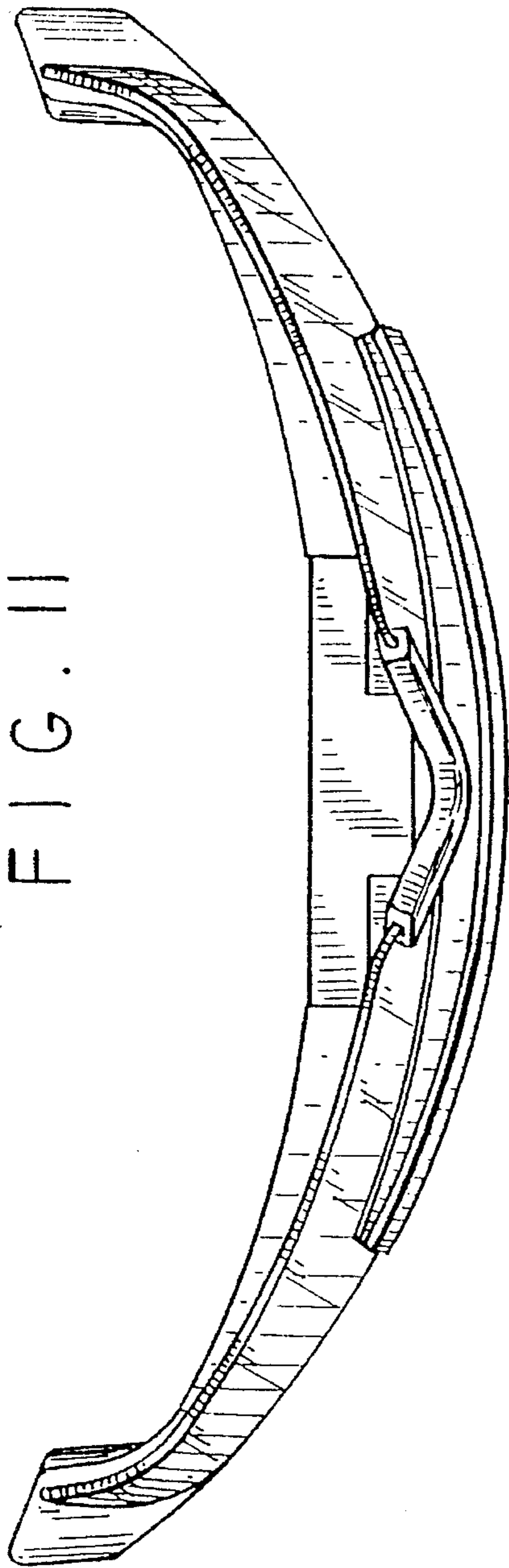


FIG. 12

