



US00D367872S

United States Patent [19]

[11] Patent Number: **Des. 367,872**

Whitby et al.

[45] Date of Patent: ****Mar. 12, 1996**

[54] **X-RAY FILM PROCESSOR**

2,800,845	7/1957	Nieth	354/310
4,239,366	12/1980	Vackier et al.	354/310
5,424,795	6/1995	Endo	354/312

[75] Inventors: **Laura R. Whitby**, Rochester; **Richard K. Neace**, Hilton, both of N.Y.

OTHER PUBLICATIONS

[73] Assignee: **Eastman Kodak Company**, Rochester, N.Y.

Andre Debrie Corp. Information Bulletin No. 106A, Apr., 1957 cover page (Aiglonne's Daylight Developing Machine).

[**] Term: **14 Years**

Primary Examiner—Prabhakar G. Deshmukh
Assistant Examiner—Adir Aronovich
Attorney, Agent, or Firm—Charles E. Snee, III

[21] Appl. No.: **35,662**

[22] Filed: **Mar. 3, 1995**

[52] U.S. Cl. **D16/247; D24/158**

[57] **CLAIM**

[58] **Field of Search** D16/246–250;
D24/158; D14/118; 354/307–312; 355/27,
28

The ornamental design for an X-ray film processor, as shown and described.

DESCRIPTION

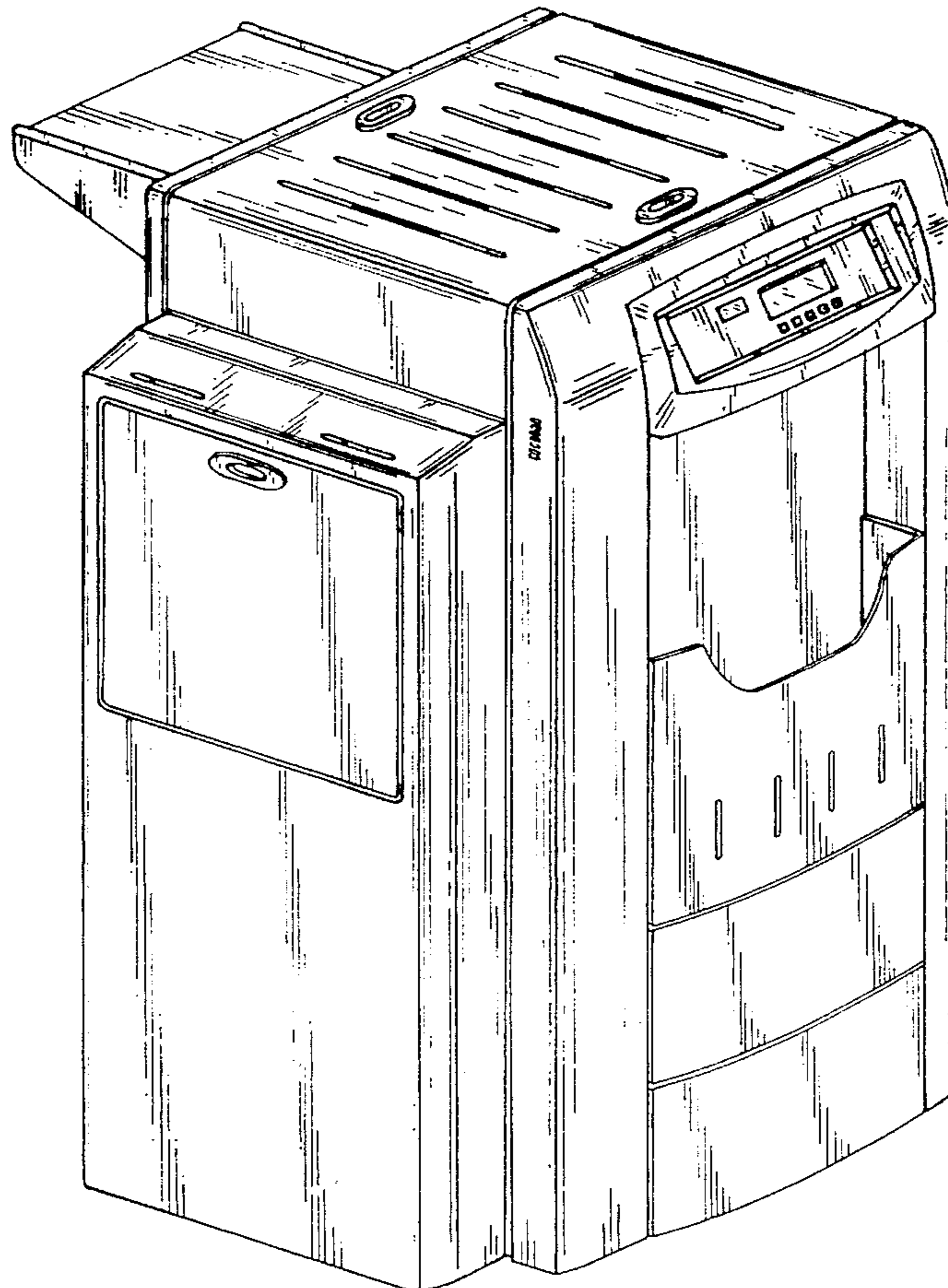
[56] **References Cited**

FIG. 1 shows a perspective view of an X-ray film processor embodying our new design;
FIG. 2 shows a front view of our new design;
FIG. 3 shows a side view as seen from left of FIG. 2;
FIG. 4 shows a side view as seen from the right of FIG. 2;
FIG. 5 shows a rear view of our design;
FIG. 6 shows a top view of our design; and,
FIG. 7 shows a bottom view of our design.

U.S. PATENT DOCUMENTS

D. 198,878	8/1964	Vigna et al.	D16/246
D. 236,158	7/1975	Hope	D16/247
D. 272,360	1/1984	Schlagheck et al.	D16/247
D. 272,744	2/1984	Schlagheck et al.	D16/247
D. 273,872	5/1984	Schlagheck et al.	D16/247
D. 312,690	12/1990	Reibl	D24/247
D. 338,197	8/1993	Miyazawa et al.	D14/118
D. 340,520	10/1993	Reibl	D24/158

1 Claim, 6 Drawing Sheets



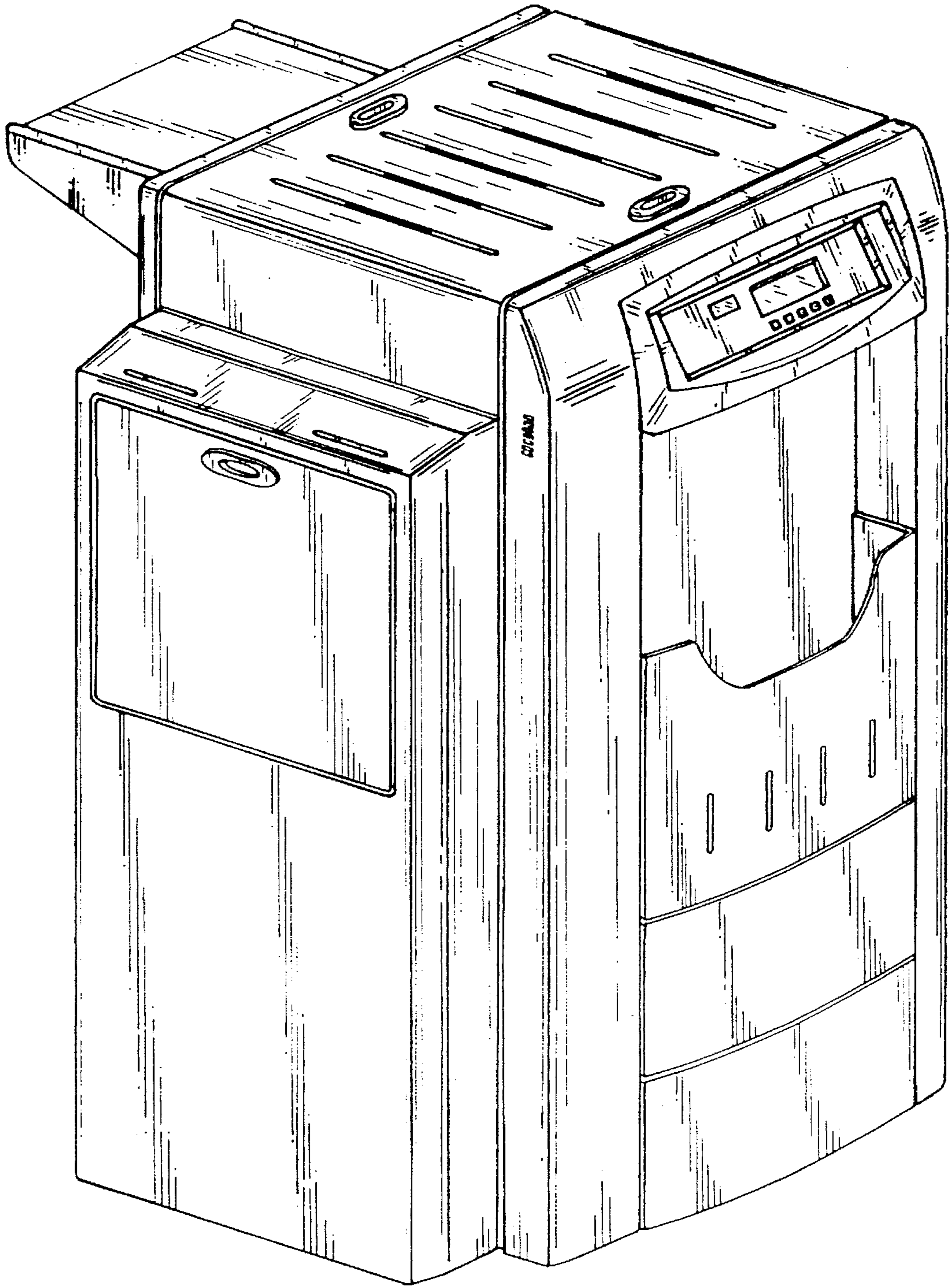


FIG. 1

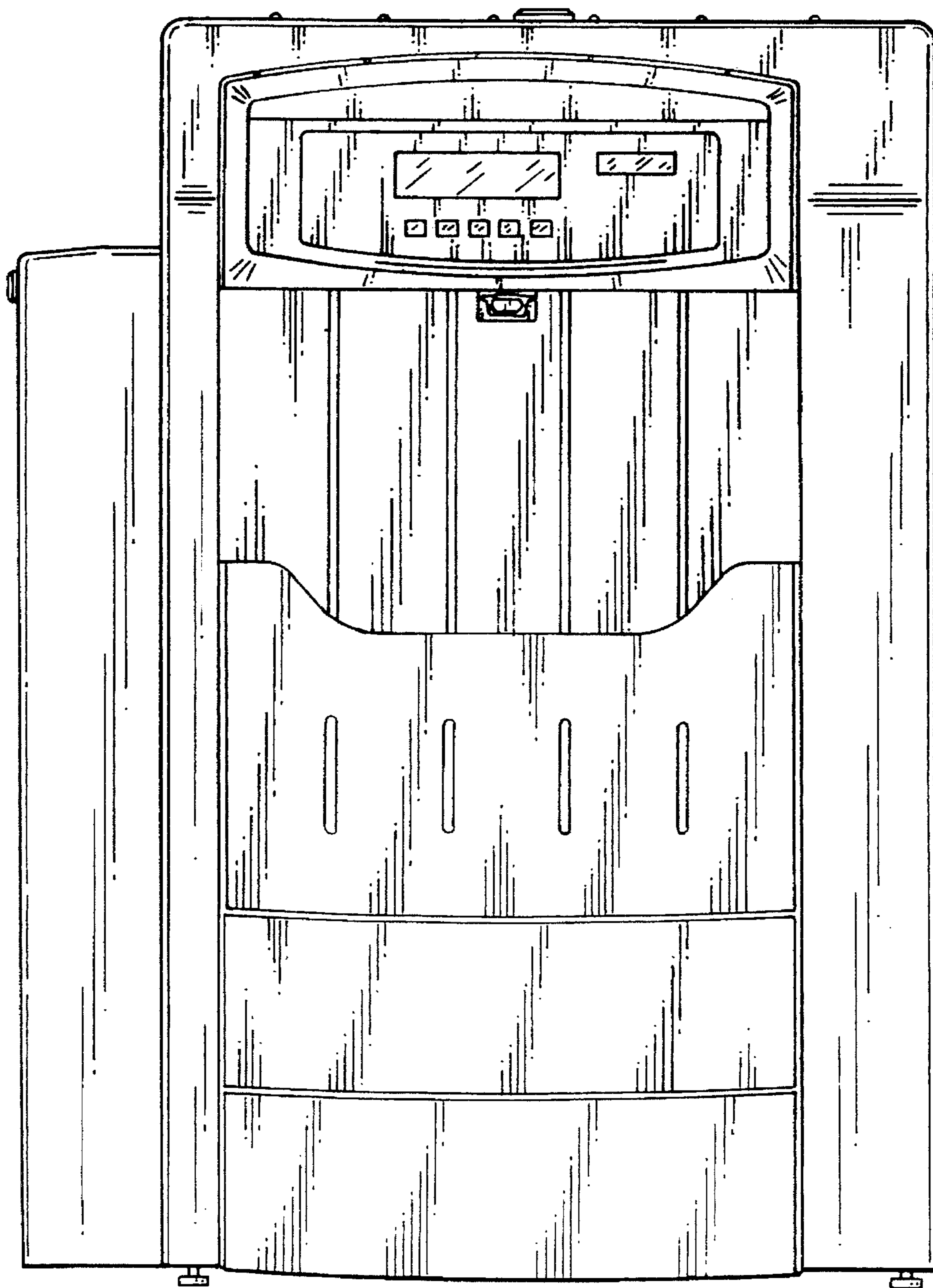


FIG. 2

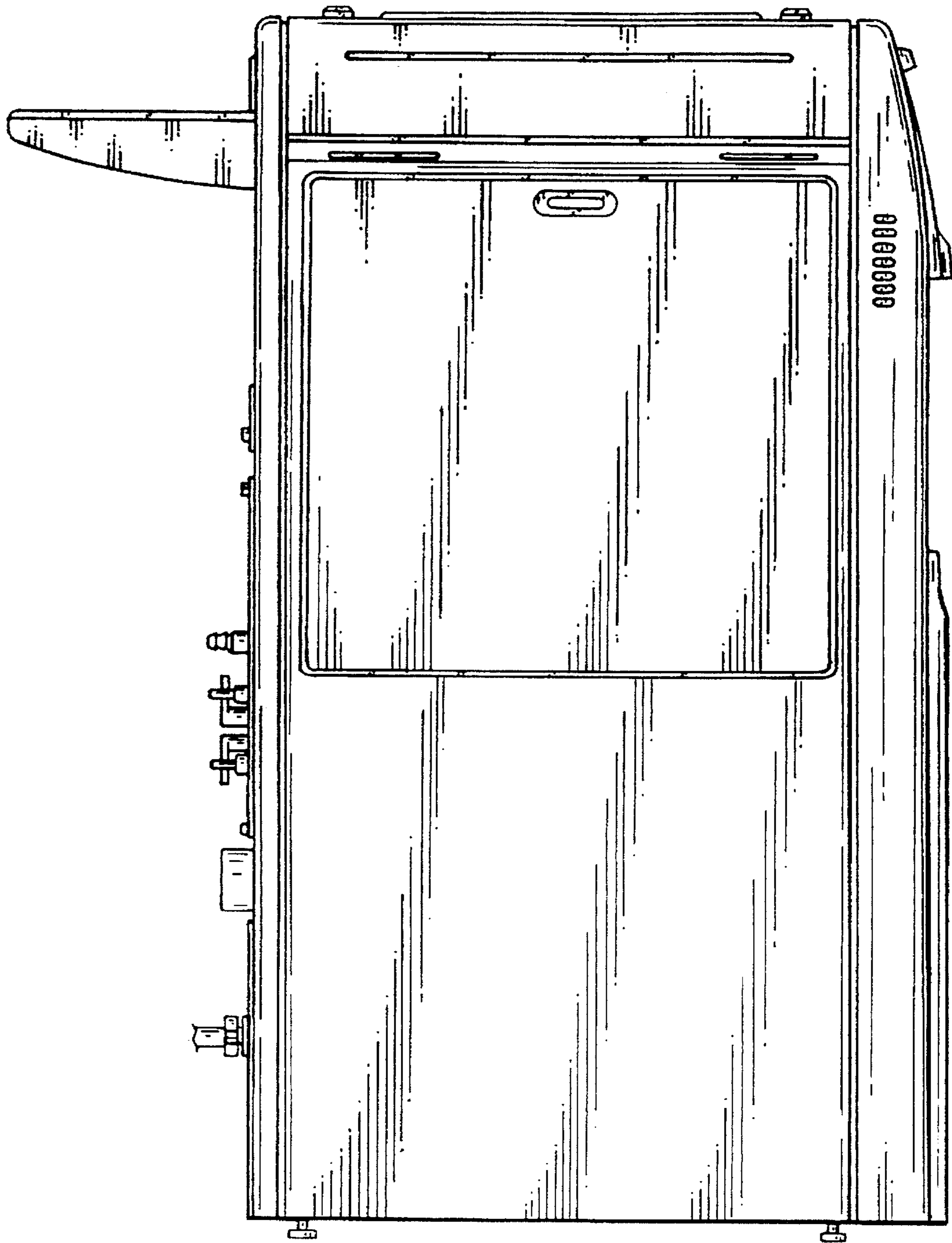


FIG. 3

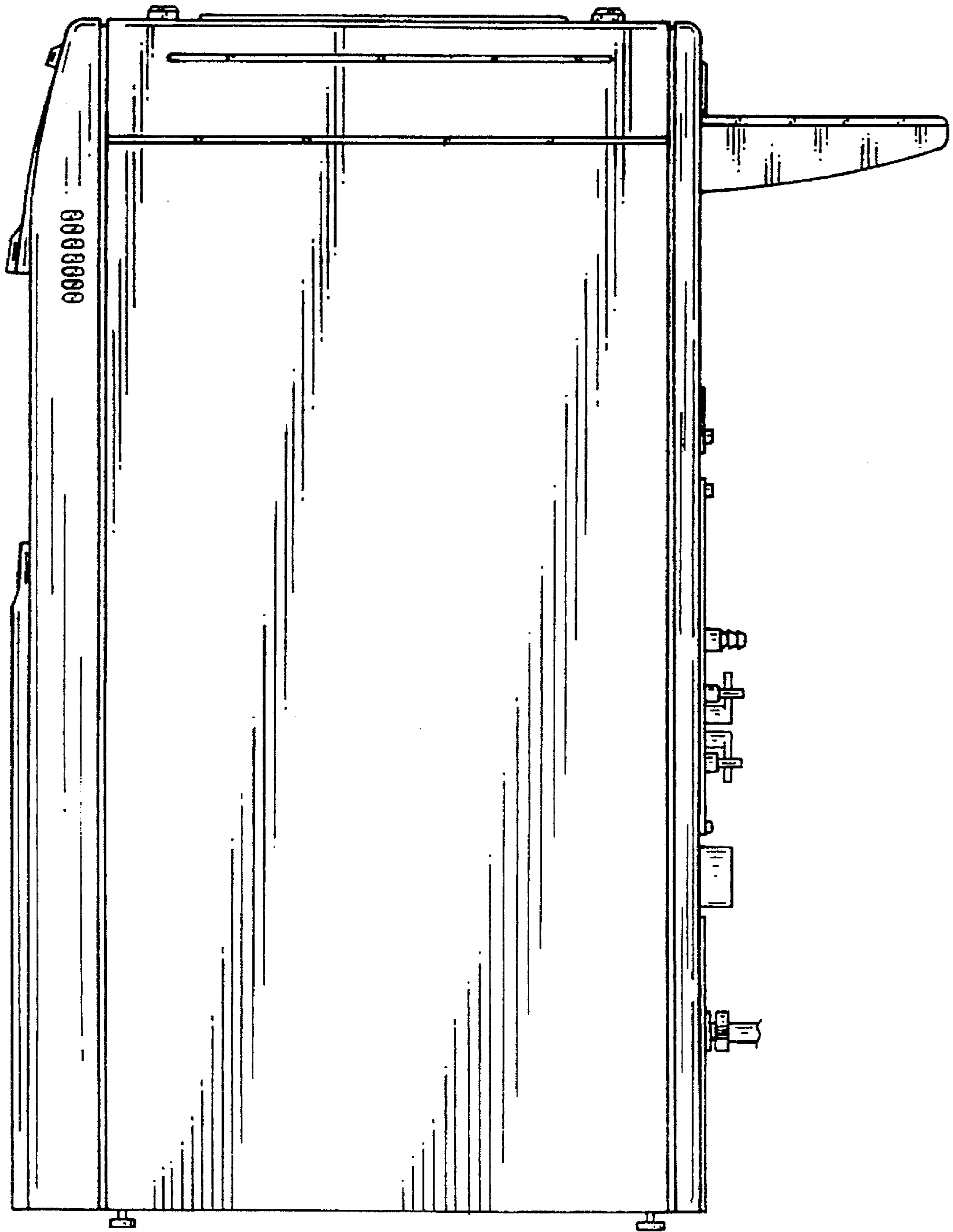


FIG. 4

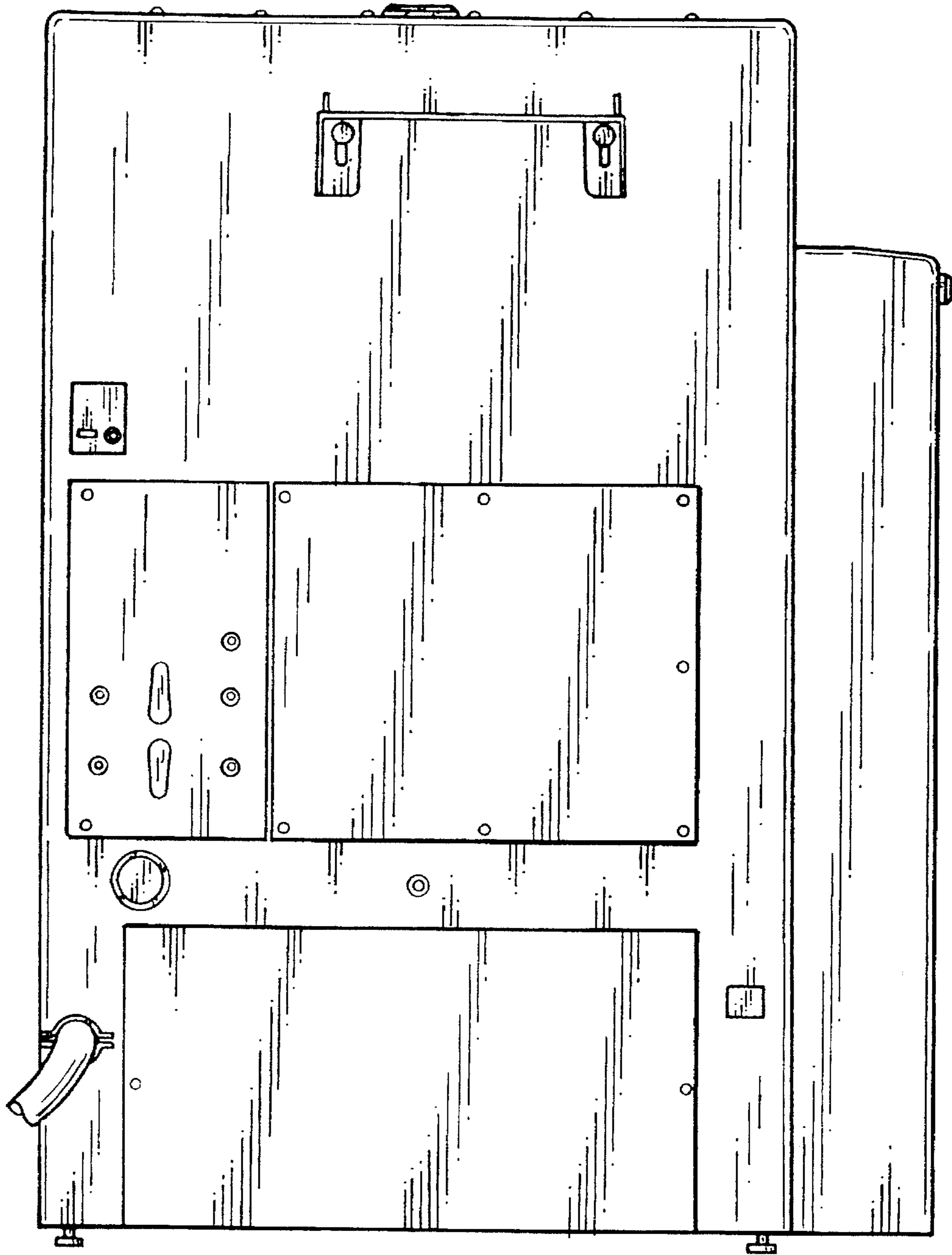


FIG. 5

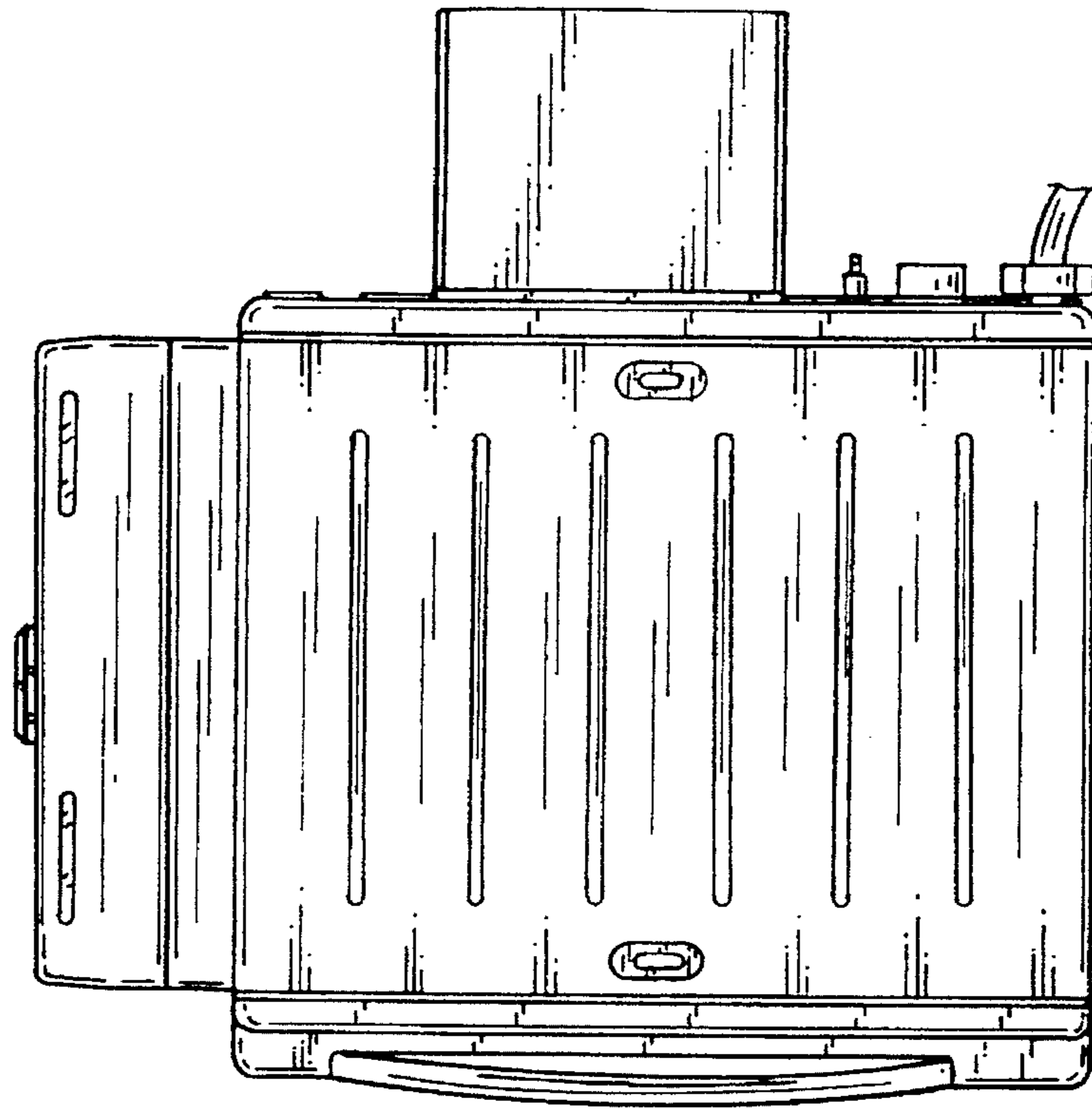


FIG. 6

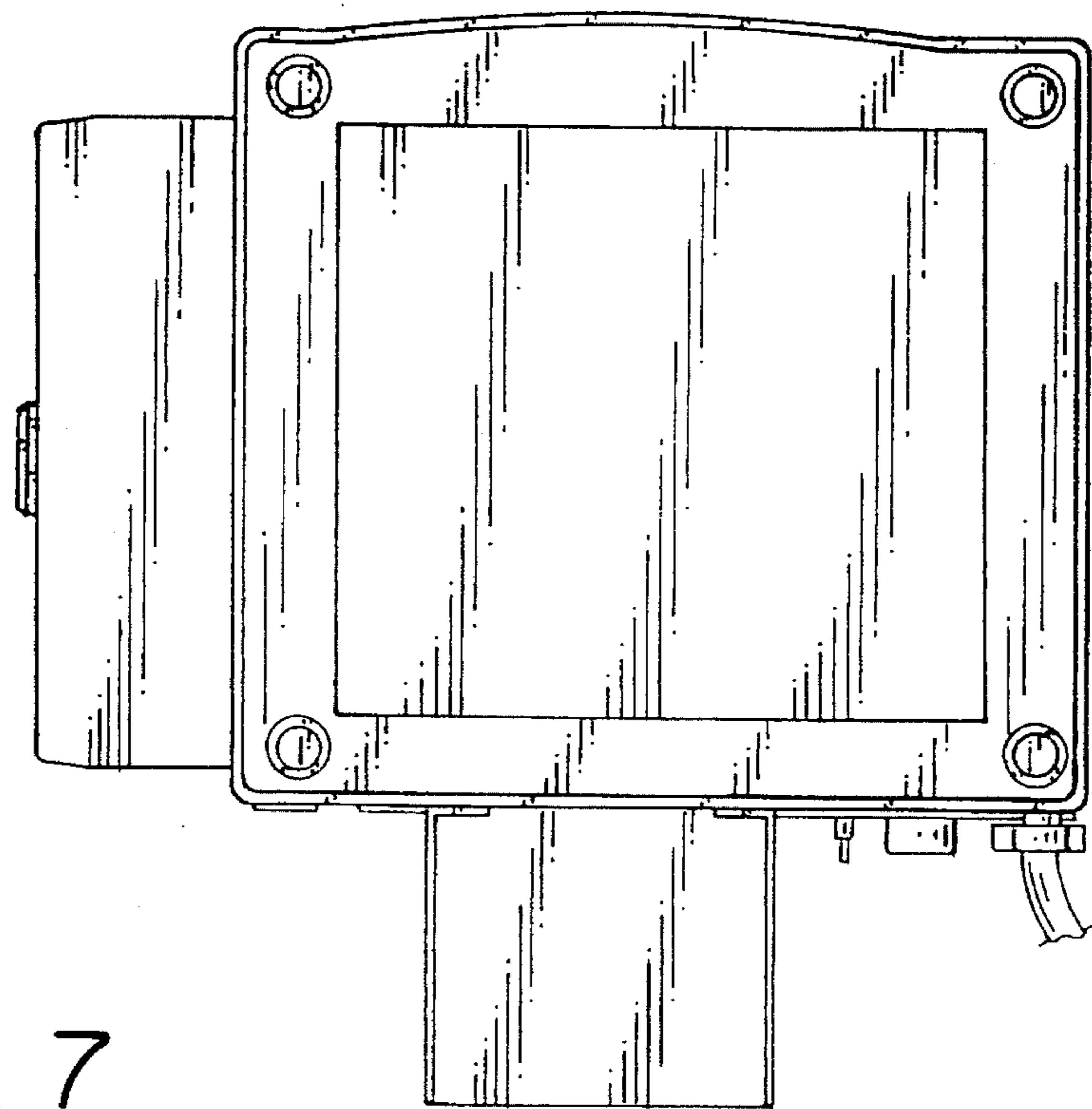


FIG. 7