



US00D367871S

# United States Patent [19] Lo

[11] Patent Number: **Des. 367,871**

[45] Date of Patent: **\*\*Mar. 12, 1996**

## [54] MINI VIEWER FOR PHOTOGRAPHIC PRINTS

[76] Inventor: **Anthony Lo**, 12A Olympian Mansion,  
9 Conduit Road, Hong Kong, Hong  
Kong

[\*\*] Term: **14 Years**

[21] Appl. No.: **11,411**

[22] Filed: **Aug. 4, 1993**

[52] U.S. Cl. .... **D16/222**

[58] Field of Search ..... D16/221, 222,  
D16/225, 227, 229; 40/361-367; 359/462,  
466, 467, 477

## [56] References Cited

### U.S. PATENT DOCUMENTS

D. 171,480	2/1954	Becl	.....	D16/222
D. 174,111	3/1955	Crapsey, Jr.	.....	D16/222
D. 183,462	9/1958	Malershofer et al.	.....	D16/227
D. 322,263	12/1991	Lo	.....	D16/227
472,196	4/1892	McGrew	.....	359/467
2,131,444	9/1938	Lateltin et al.	.....	
2,616,333	11/1952	Tinker	.....	359/467
5,218,470	6/1993	Mizukawa et al.	.....	359/474
5,309,280	5/1994	Jones	.....	359/474
5,381,266	1/1995	Mizukawa et al.	.....	359/466

## FOREIGN PATENT DOCUMENTS

151850	1/1903	Germany	.....	
2-275921	11/1990	Japan	.....	359/466
2245079	12/1991	United Kingdom	.....	359/477

*Primary Examiner*—Ted Shooman  
*Assistant Examiner*—Adir Aronovich  
*Attorney, Agent, or Firm*—Finnegan, Henderson, Farabow,  
Garrett & Dunner

## [57] CLAIM

The ornamental design for a mini viewer for photographic prints, as shown and described.

## DESCRIPTION

FIG. 1 is a top perspective view of a mini viewer for photographic prints with the viewer in partially open position showing my new design;

FIG. 2 is a top perspective view thereof, with the viewer in fully open position;

FIG. 3 is a front elevational view thereof;

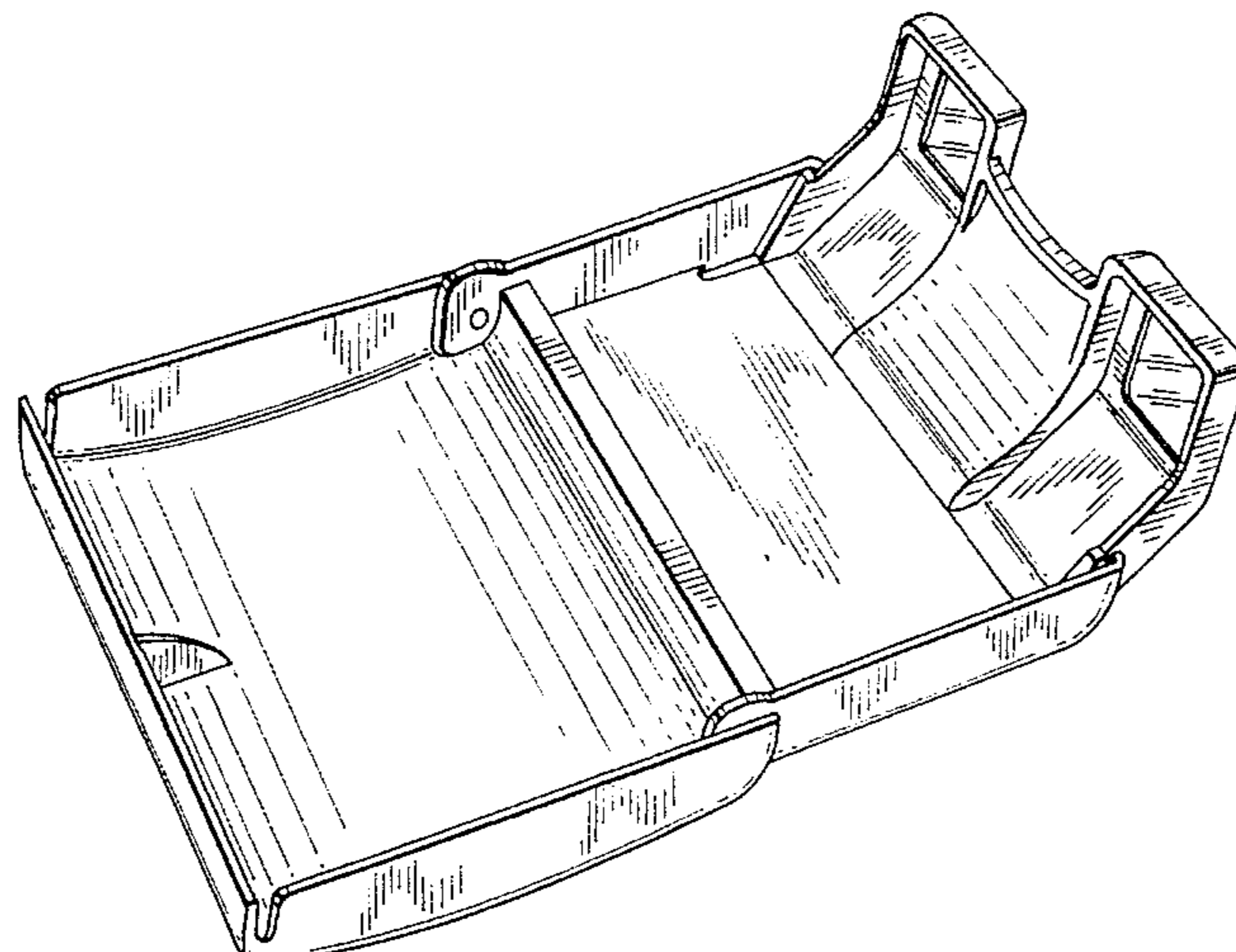
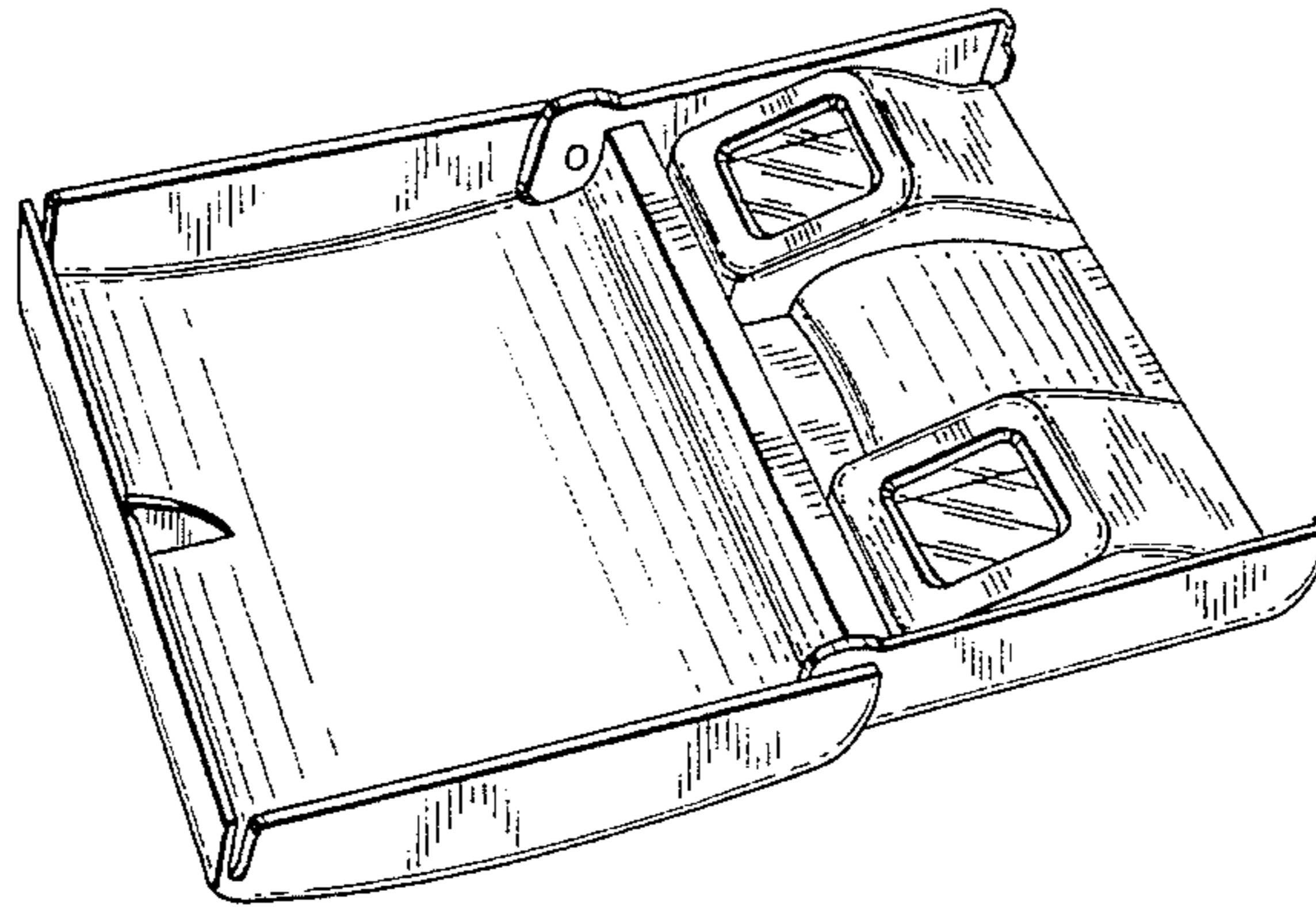
FIG. 4 is a side elevational view thereof, the undisclosed opposite side being a mirror image;

FIG. 5 is a bottom plan view thereof;

FIG. 6 is a top plan view thereof; and,

FIG. 7 is a rear elevational view thereof.

**1 Claim, 4 Drawing Sheets**



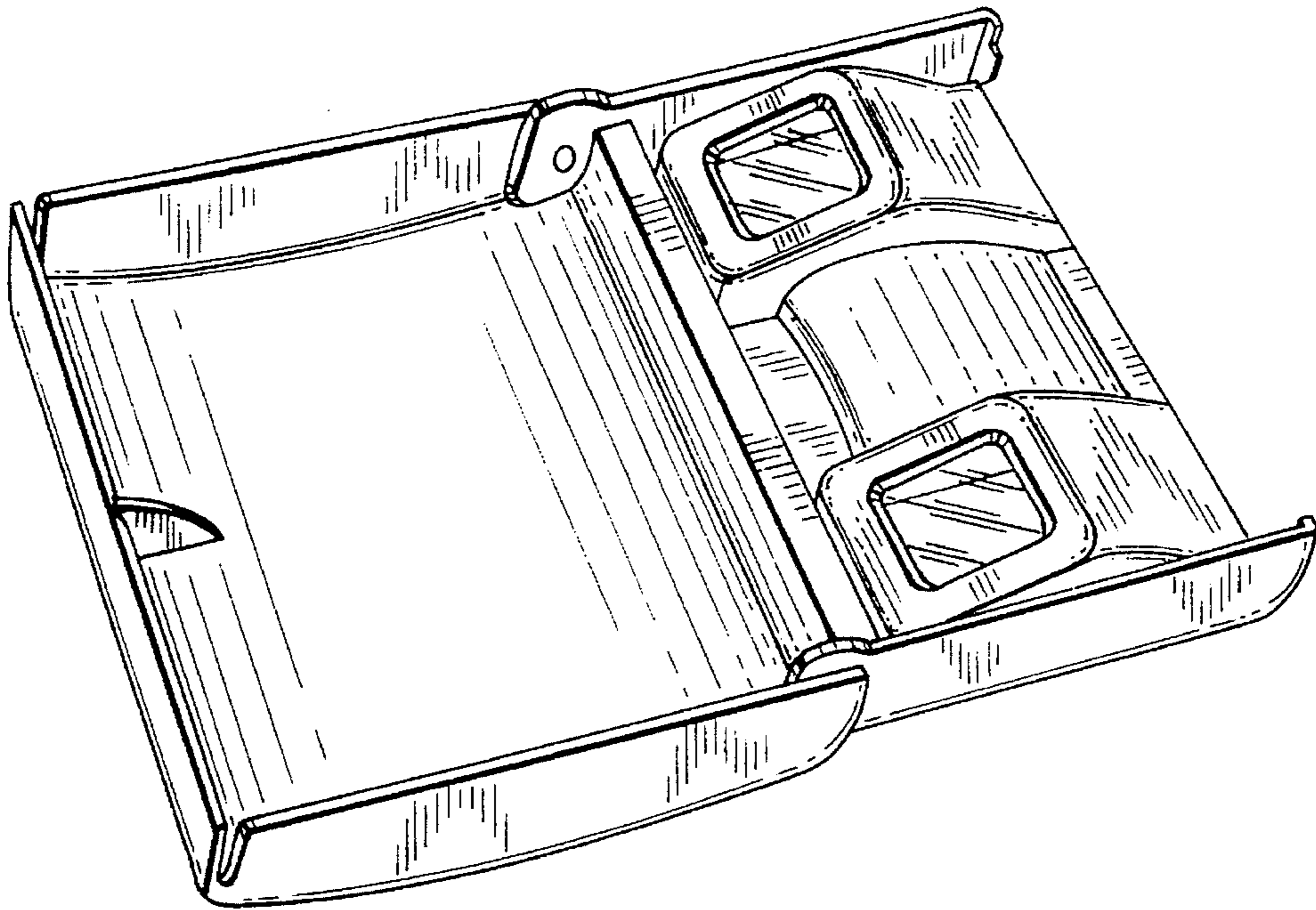


FIG. 1

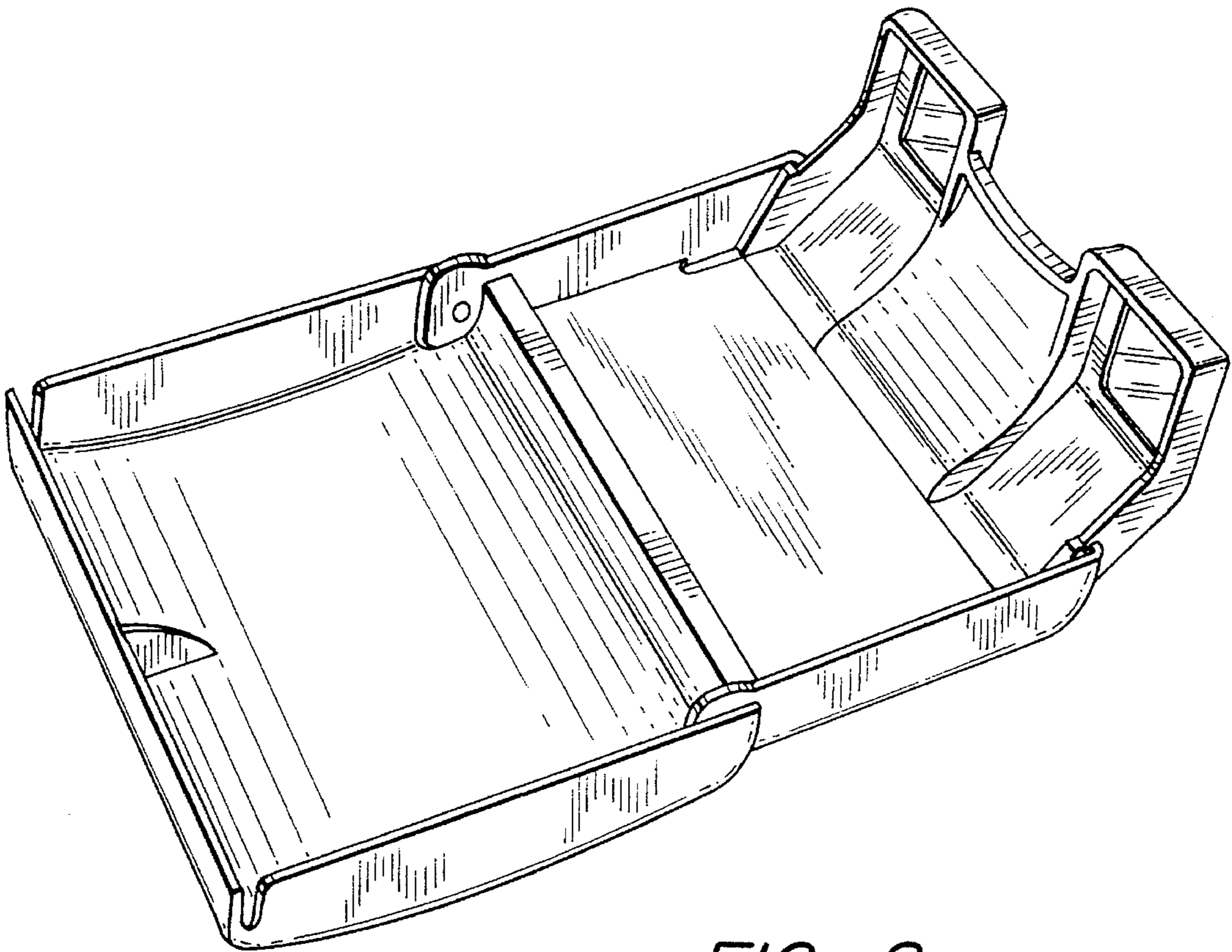


FIG. 2

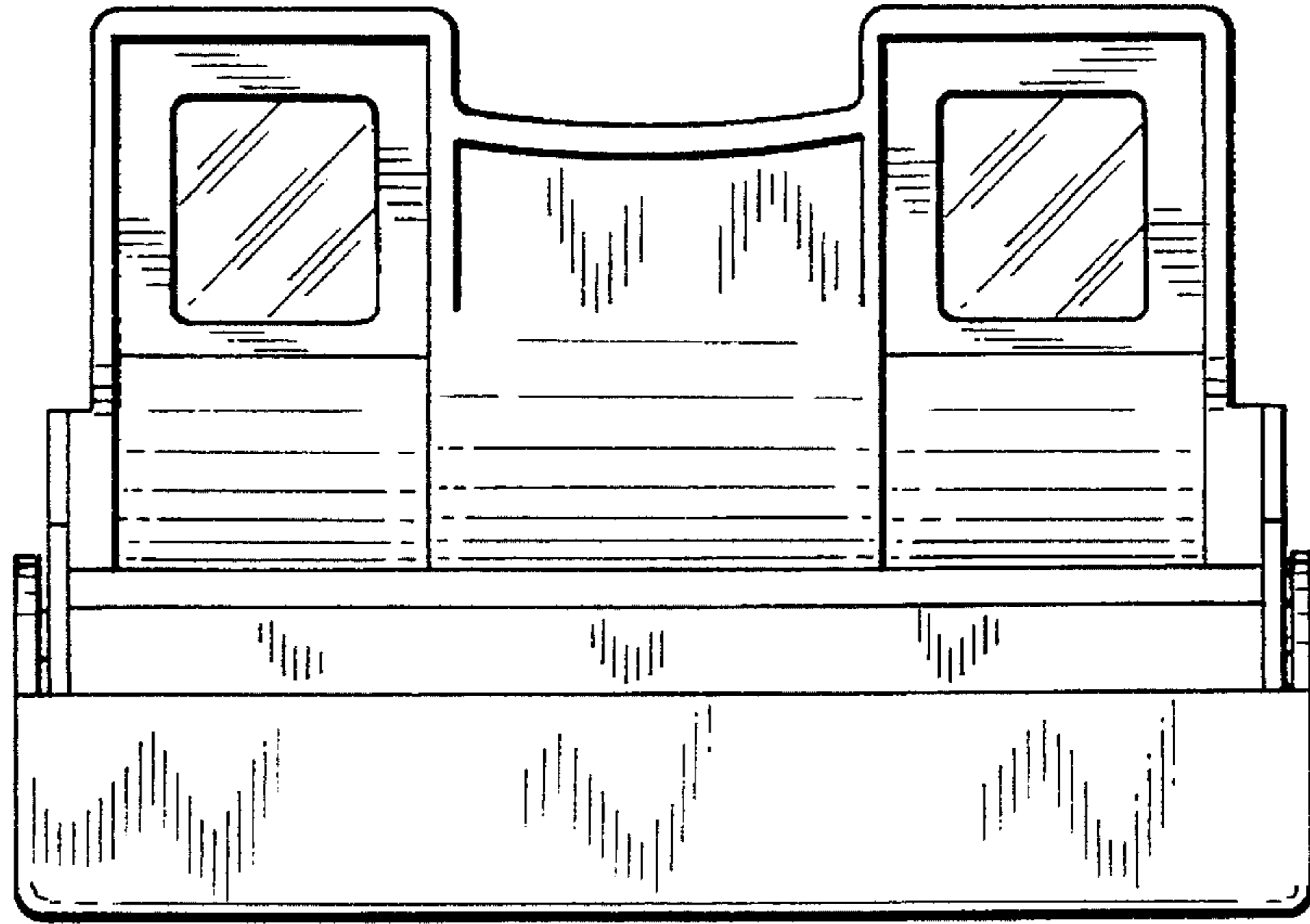


FIG. 3

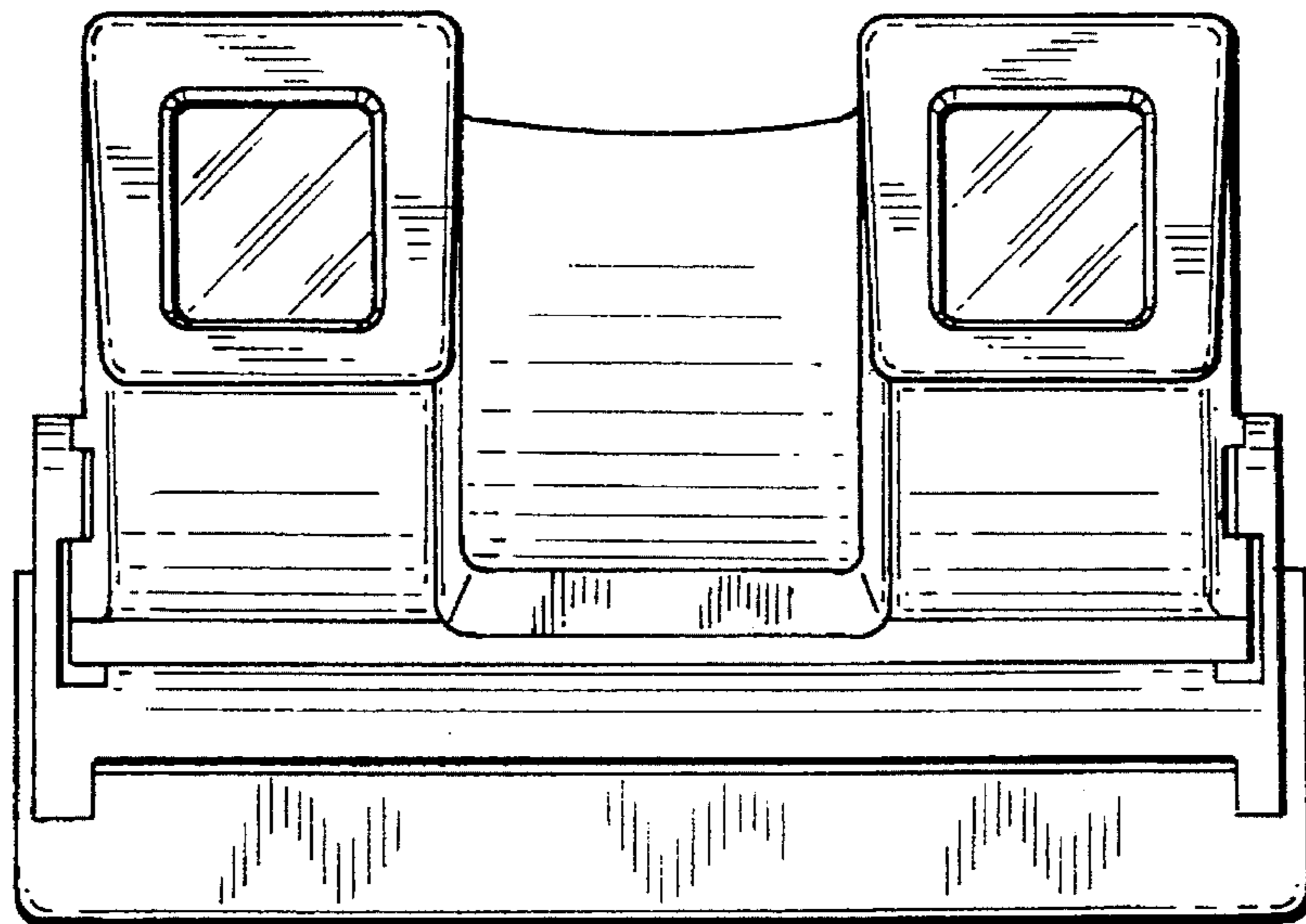


FIG. 7

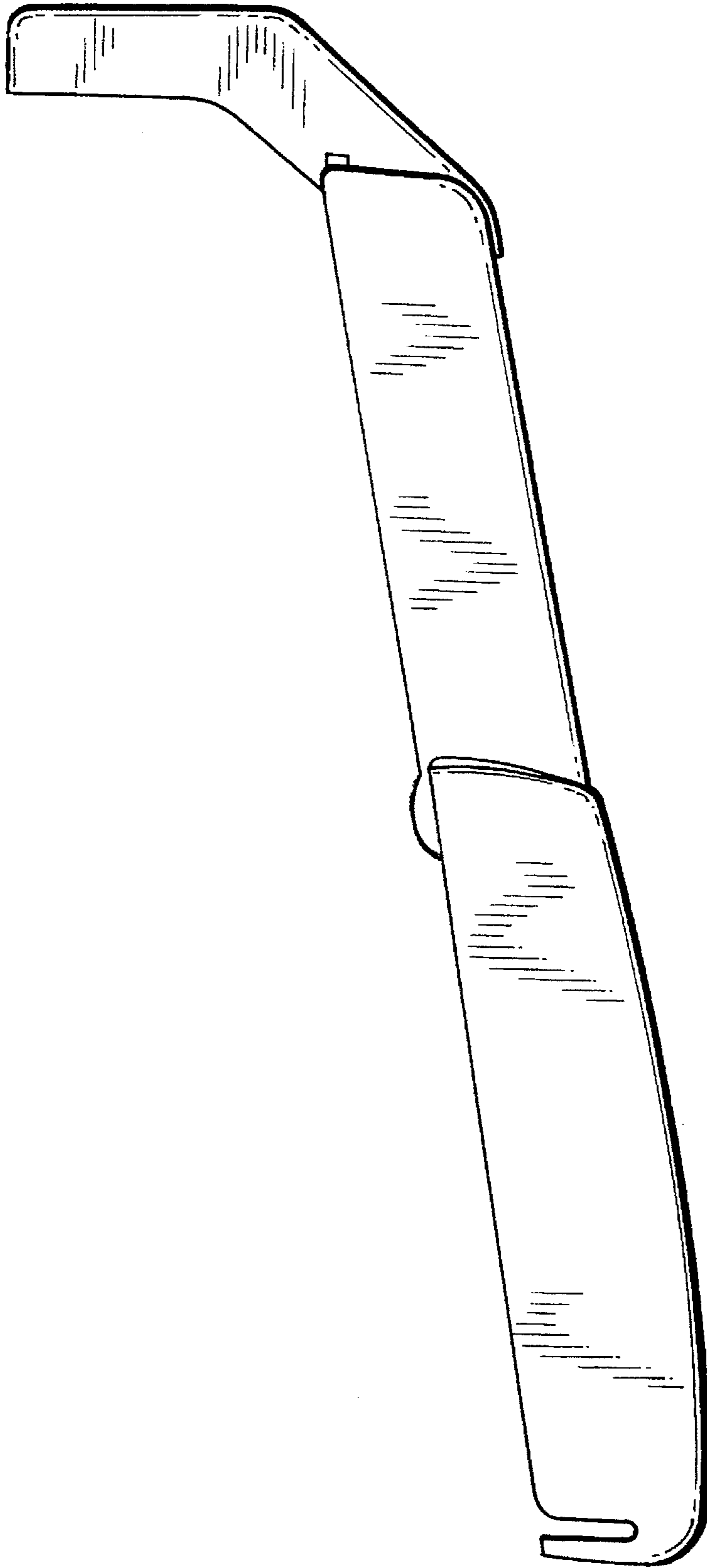


FIG. 4

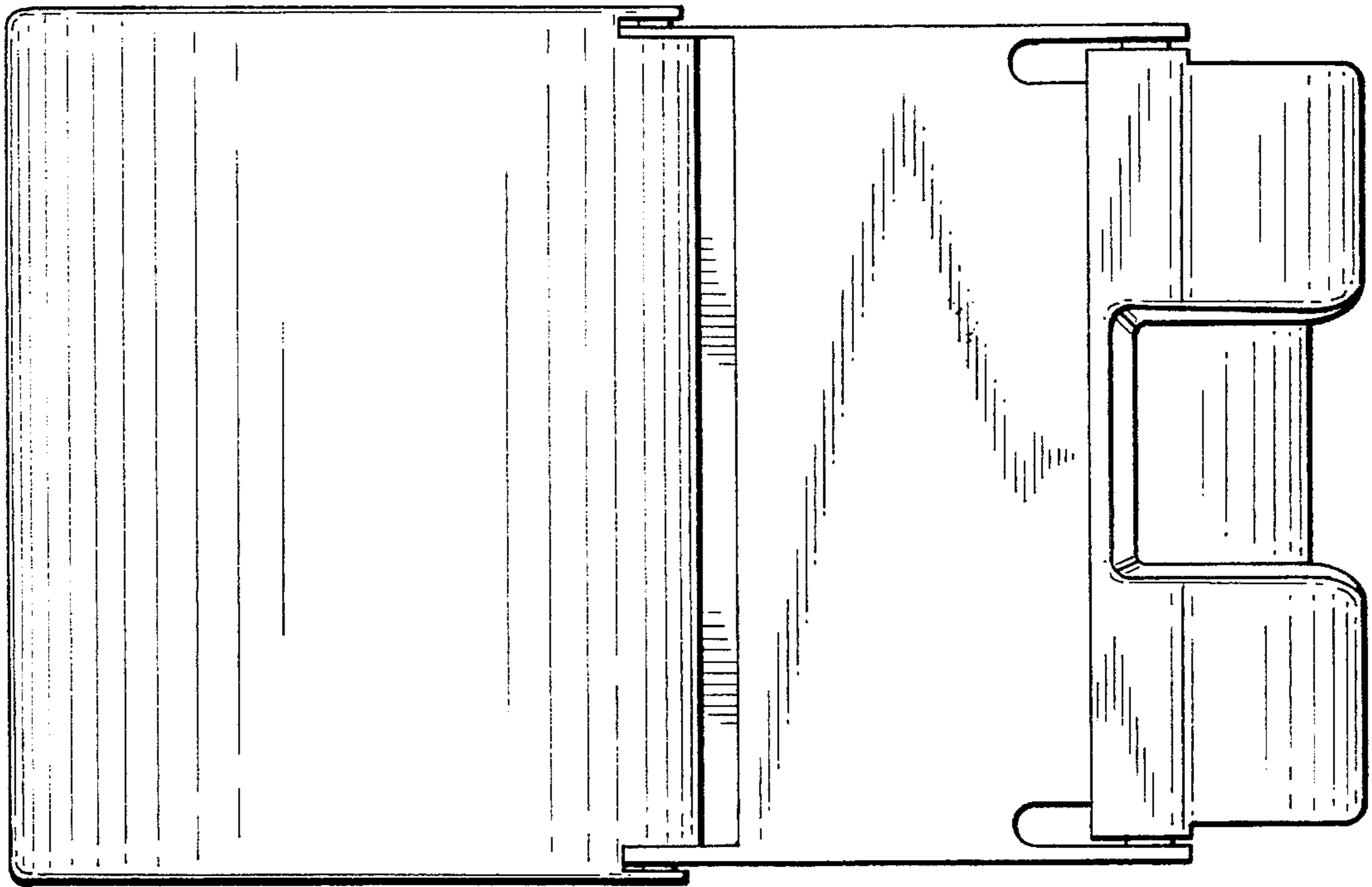


FIG. 5

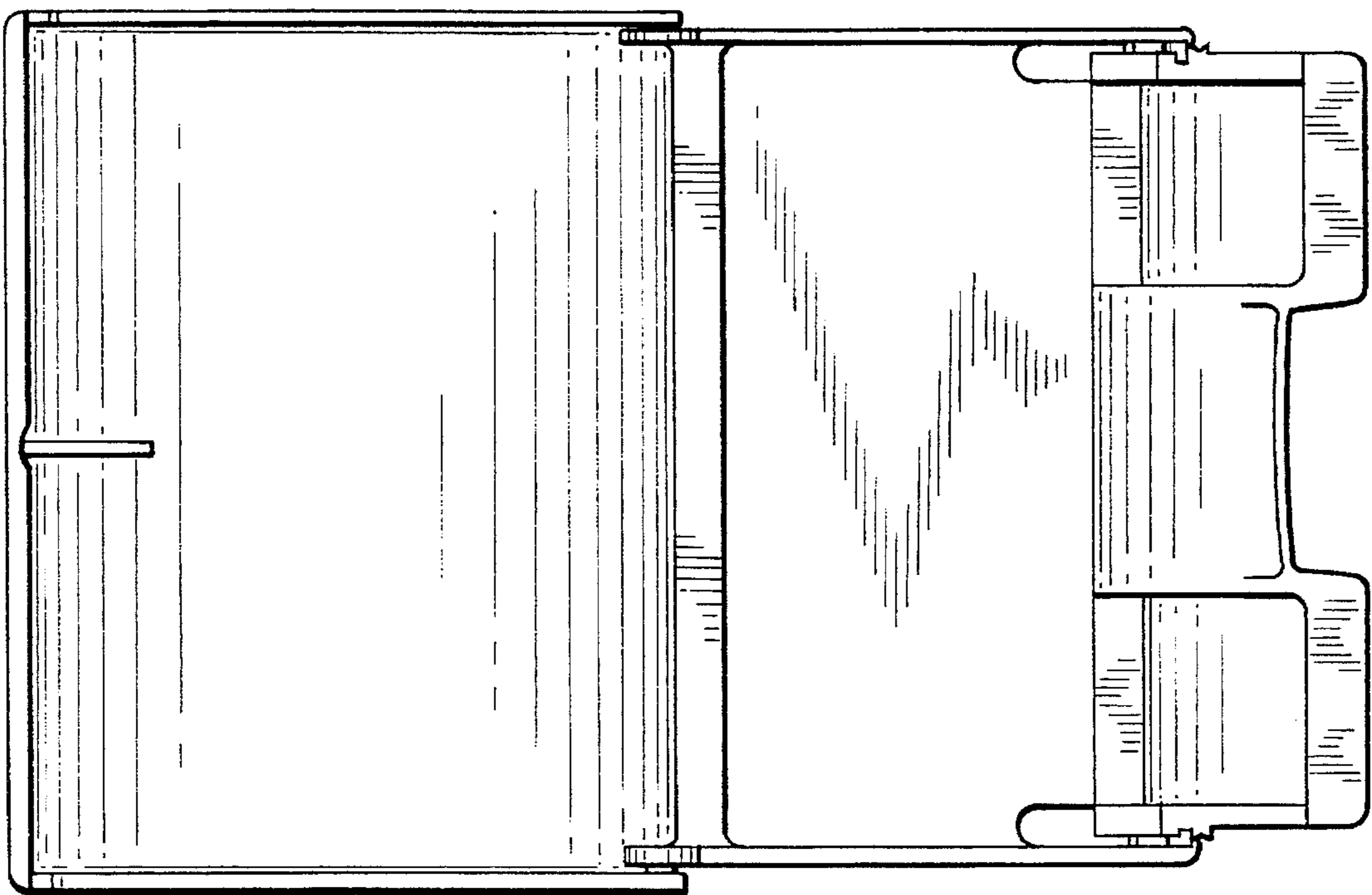


FIG. 6