



US00D367870S

United States Patent [19]
Shinano

[11] **Patent Number: Des. 367,870**
[45] **Date of Patent: *** Mar. 12, 1996**

[54] **STILL VIDEO CAMERA FOR A PERSONAL COMPUTER**

D. 315,742 3/1991 Matsumoto D16/205
D. 339,149 9/1993 Nakamura D16/202
D. 339,365 9/1993 Urcuilio D16/203

[75] Inventor: **Toru Shinano**, Yokohama, Japan

OTHER PUBLICATIONS

[73] Assignee: **Canon Kabushiki Kaisha**, Tokyo, Japan

Video Magazine, Jan. 1993 p. 46 (Sony's LCD projector).

[*] Notice: The portion of the term of this patent subsequent to Feb. 28, 2009, has been disclaimed.

Primary Examiner—Ted Shooman
Assistant Examiner—Adir Aronovich
Attorney, Agent, or Firm—Fitzpatrick, Cella, Harper & Scinto

[**] Term: **14 Years**

[57] **CLAIM**

[21] Appl. No.: **24,615**

The ornamental design for a still video camera for a personal computer, as shown and described.

[22] Filed: **Jun. 17, 1994**

DESCRIPTION

[30] **Foreign Application Priority Data**

Dec. 21, 1993 [JP] Japan 5-38730

[52] **U.S. Cl.** **D16/202; D14/107**

[58] **Field of Search** **D16/200-206; D14/107, 130; 348/143, 207, 373-376; 352/34, 242; 354/288; 358/906, 909.1; H04N 5/225**

FIG. 1 is a front elevational view of a still video camera for a personal computer showing my new design;
FIG. 2 is a rear elevational view thereof;
FIG. 3 is a top plan view thereof;
FIG. 4 is a bottom plan view thereof;
FIG. 5 is a left side elevational view thereof;
FIG. 6 is a right side elevational view thereof; and,
FIG. 7 is a perspective view thereof.

[56] **References Cited**

U.S. PATENT DOCUMENTS

D. 262,117 12/1981 Sasaki D16/203

1 Claim, 3 Drawing Sheets

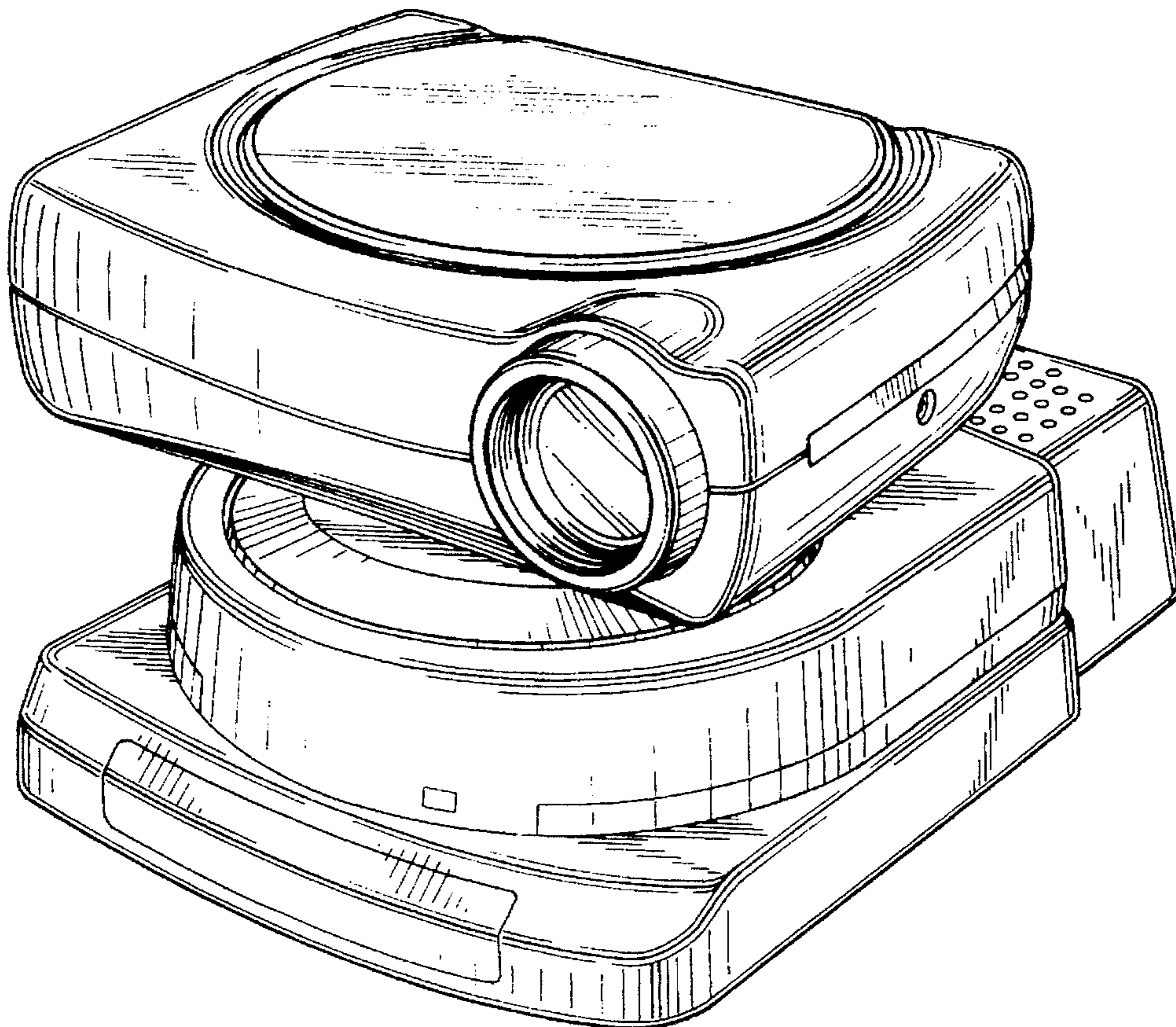


FIG. 1

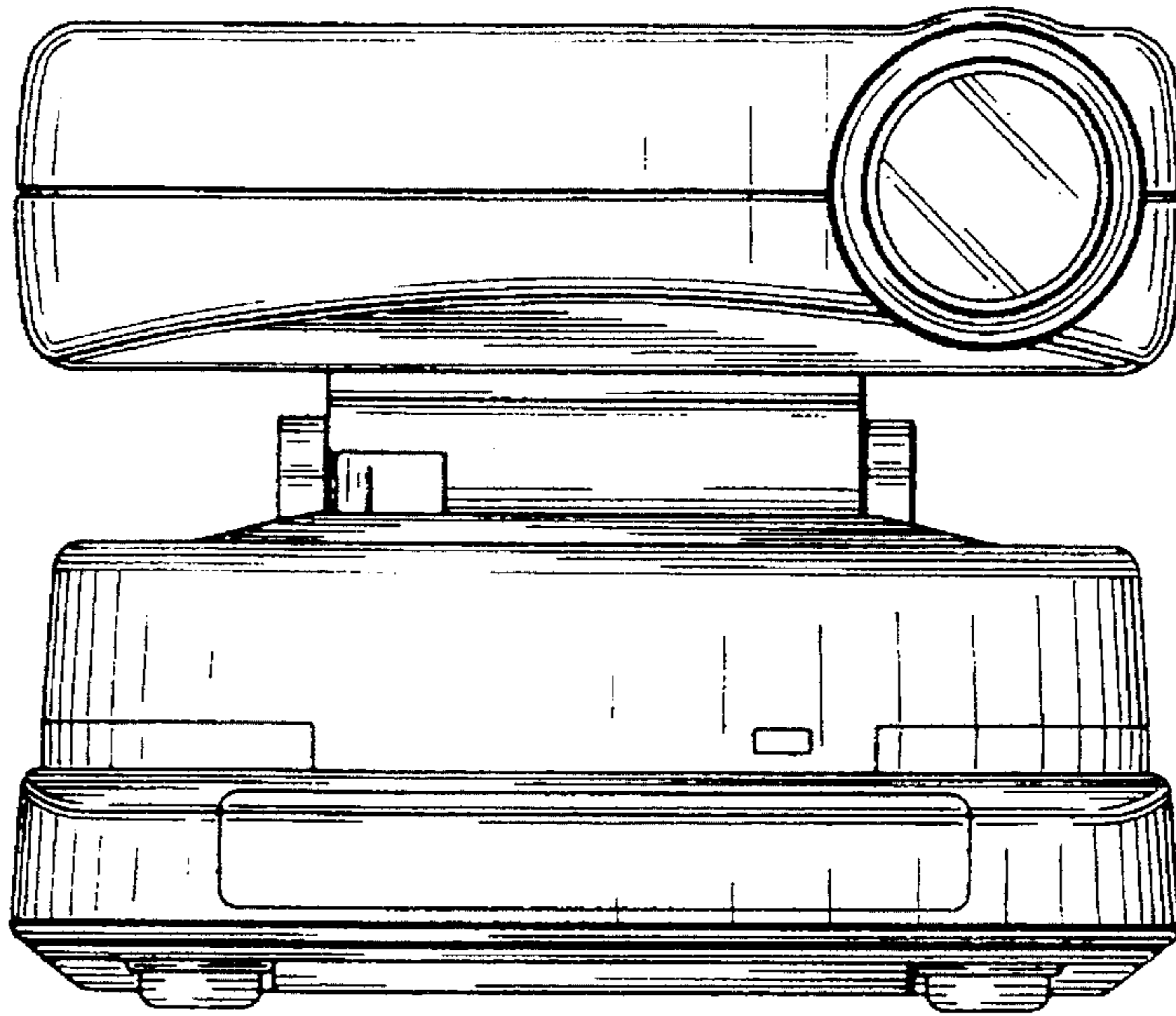


FIG. 2

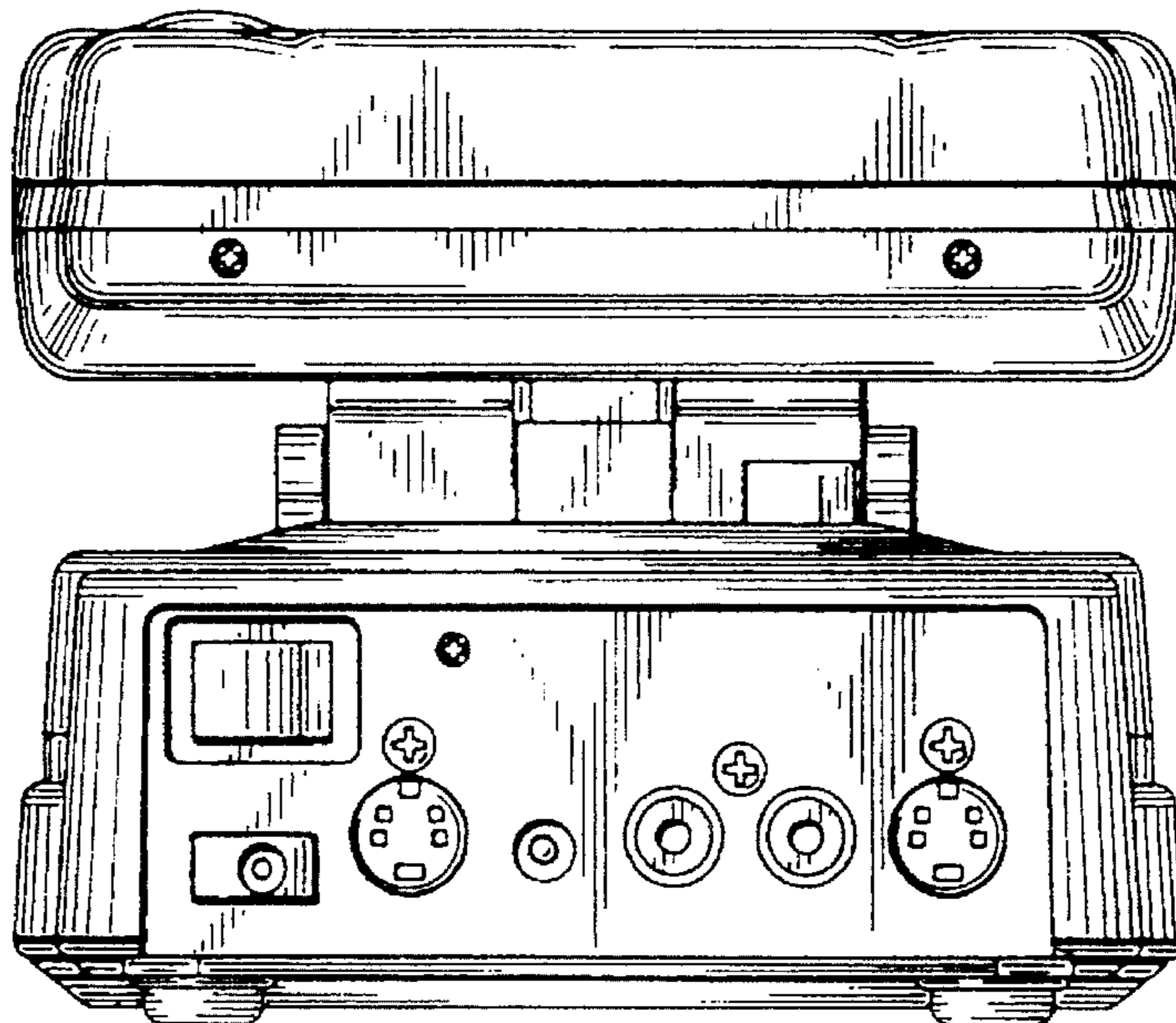


FIG. 3

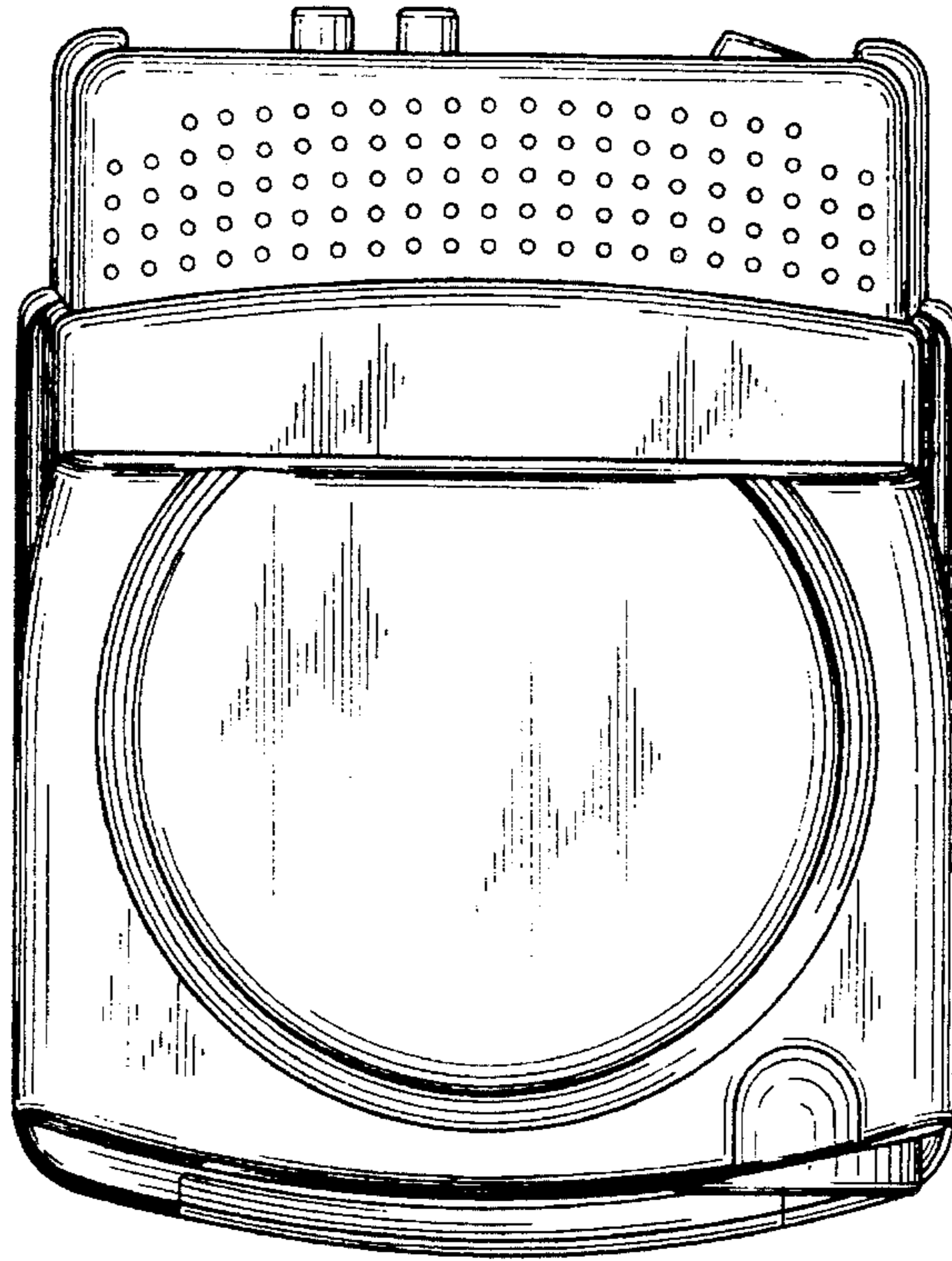


FIG. 4

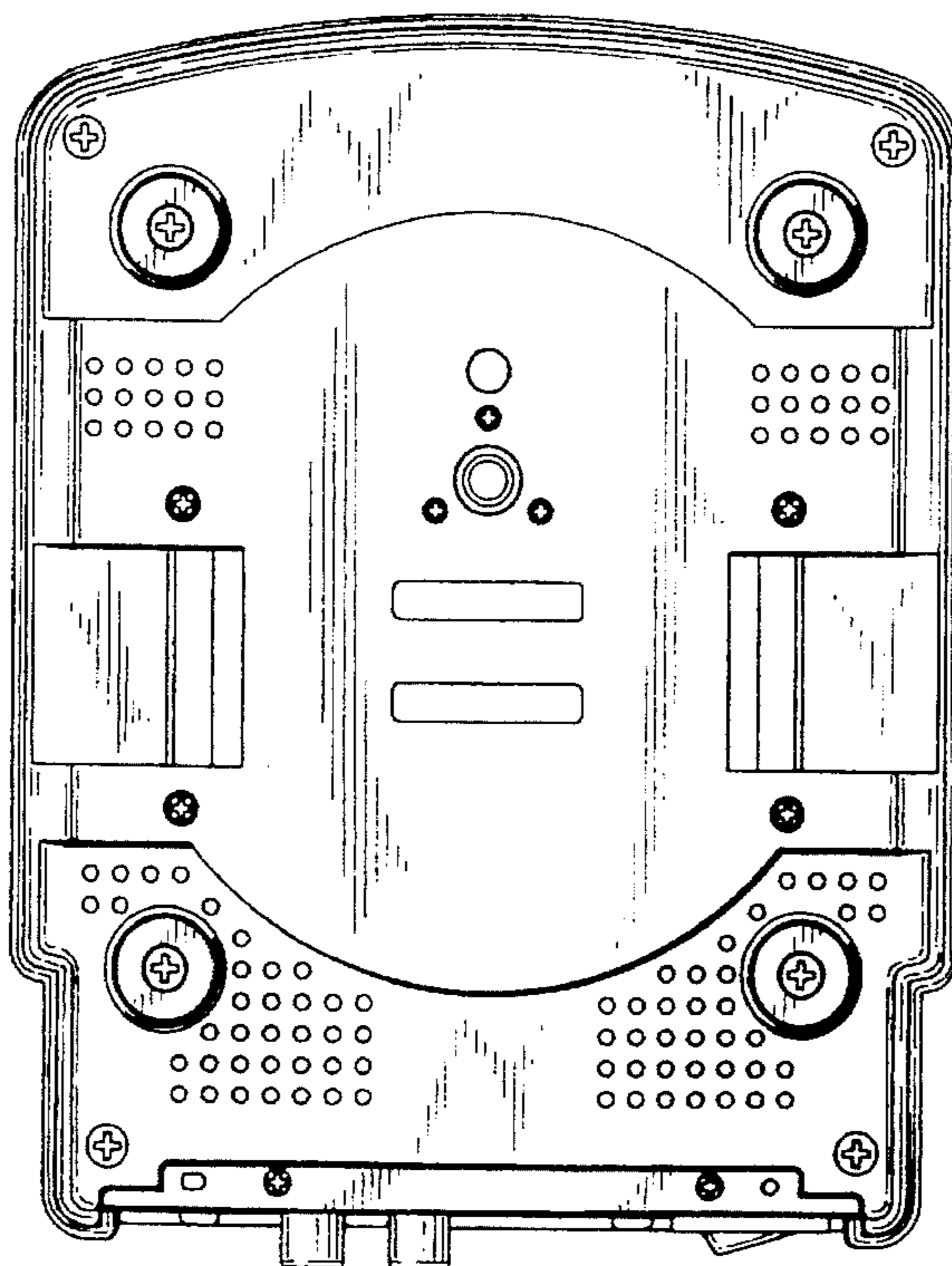


FIG. 5

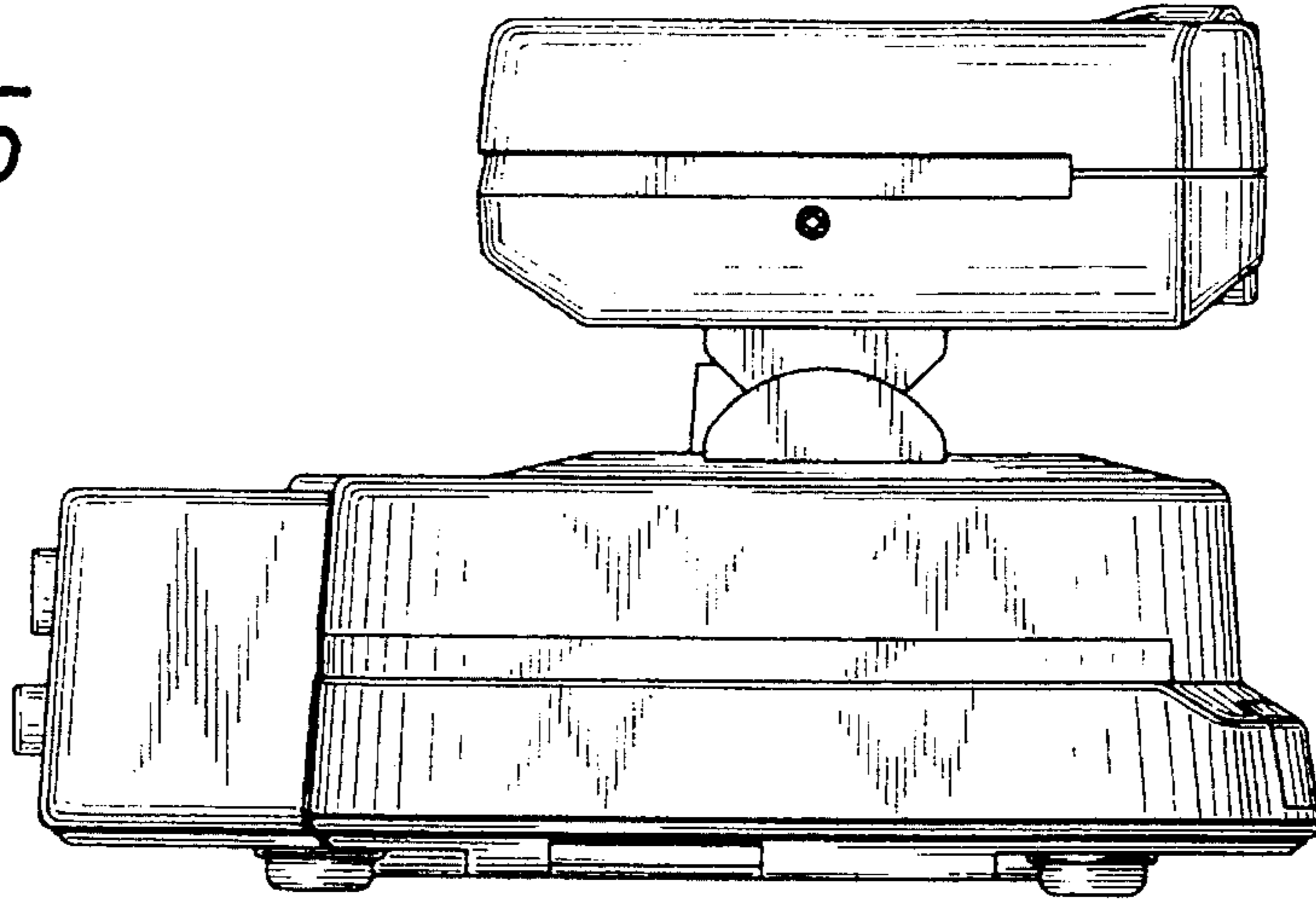


FIG. 6

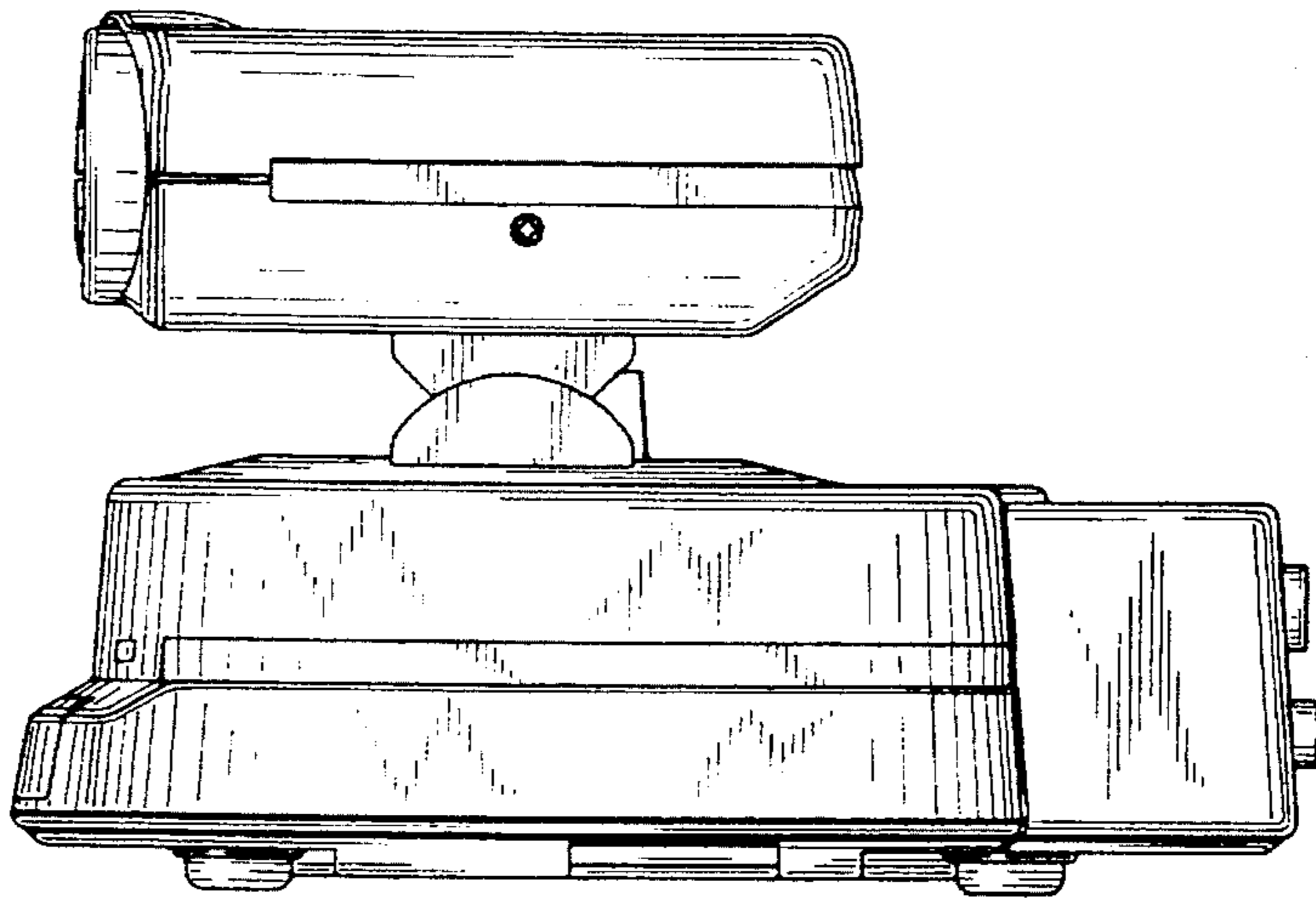


FIG. 7

