



US00D367868S

# United States Patent [19]

Estes

[11] Patent Number: **Des. 367,868**

[45] Date of Patent: **\*\*Mar. 12, 1996**

[54] **OIL SLICK RETAINING BARRIER**

[76] Inventor: **Robert W. Estes**, 5304 U.S. Hwy. 50,  
Las Animas, Colo. 81054

[\*\*] Term: **14 Years**

[21] Appl. No.: **37,576**

[22] Filed: **Apr. 17, 1995**

[52] U.S. Cl. .... **D15/150**

[58] Field of Search ..... D15/150; D25/38;  
210/242.1, 242.3, 924; 405/52, 60-72

[56] **References Cited**

**U.S. PATENT DOCUMENTS**

5,181,802 1/1993 Thengs et al. .... 405/70  
5,439,315 8/1995 MacKenzie et al. .... 405/63 X

*Primary Examiner*—Antoine Duval Davis

*Attorney, Agent, or Firm*—Harold H. Dutton, Jr.

[57] **CLAIM**

The ornamental design for an oil slick retaining barrier, as shown and described.

**DESCRIPTION**

FIG. 1 is a perspective view of a oil slick retaining barrier showing my new design;

FIG. 2 is a front view of one repeating unit thereof;

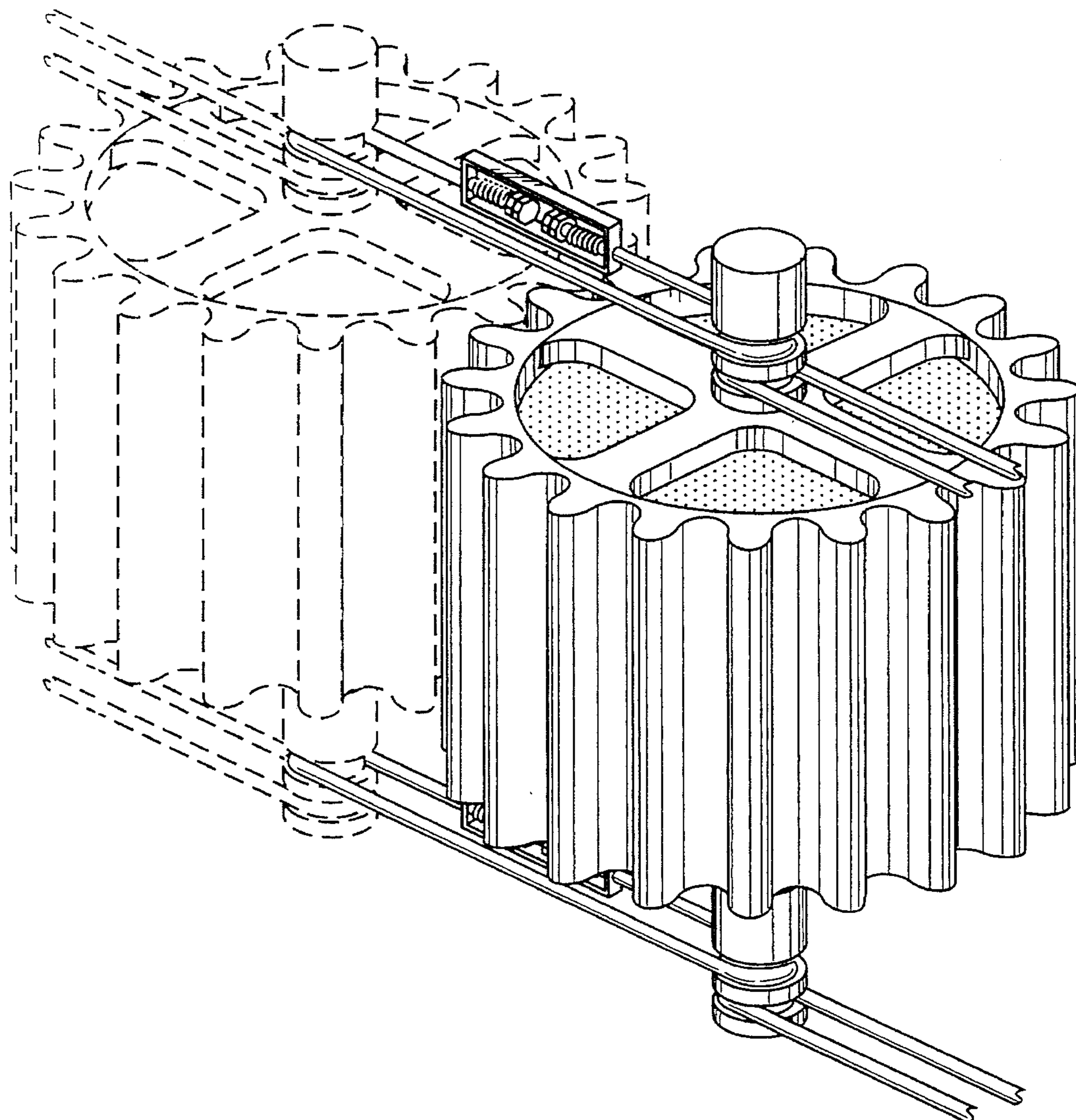
FIG. 3 is a right side view of one repeating unit thereof;

FIG. 4 is a top view thereof; and,

FIG. 5 is a bottom view thereof.

The broken line showing of an oil slick retaining barrier is for illustrative purposes only and forms no part of the claimed design.

**1 Claim, 3 Drawing Sheets**



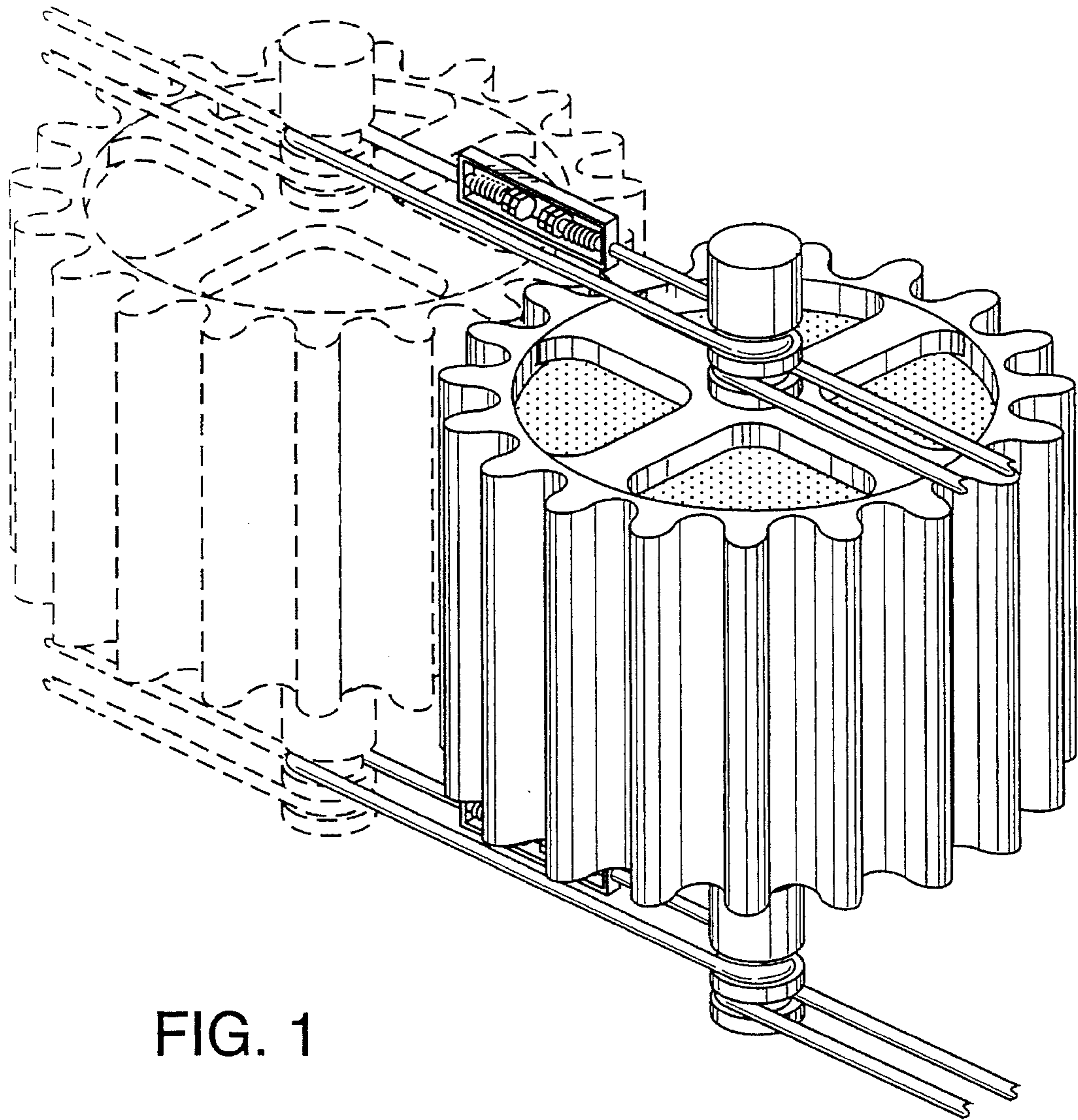


FIG. 1

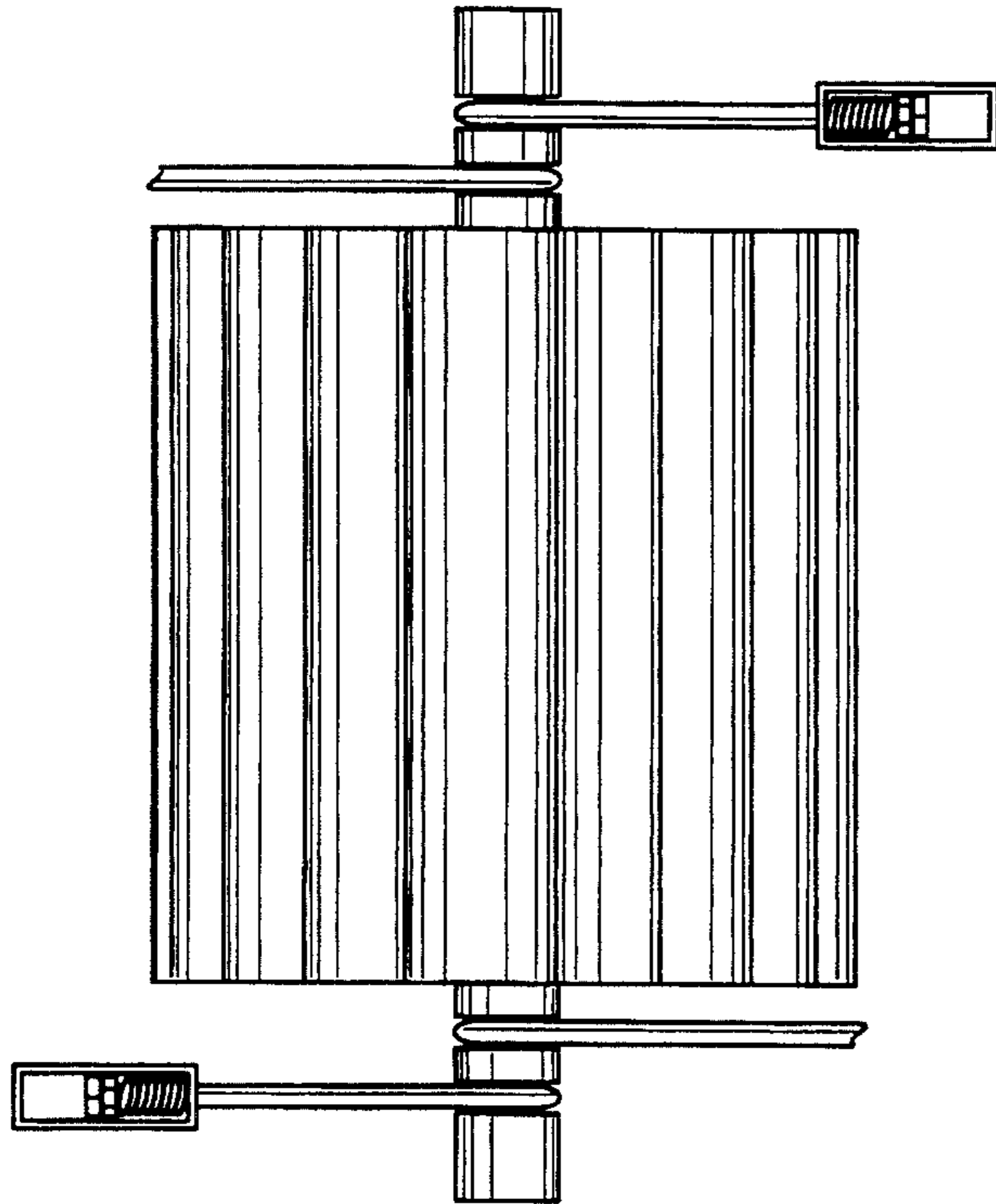
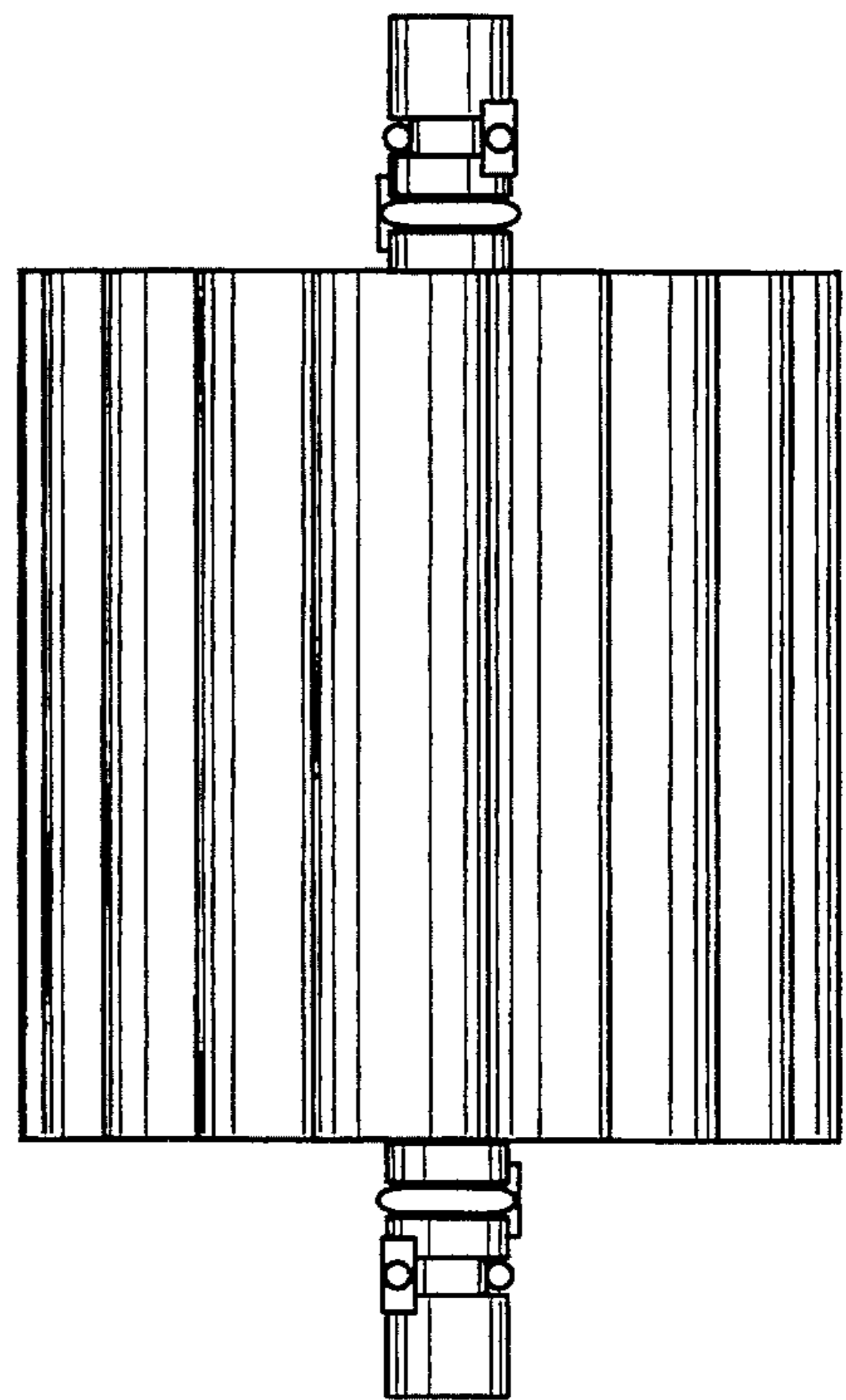


FIG. 2

FIG. 3



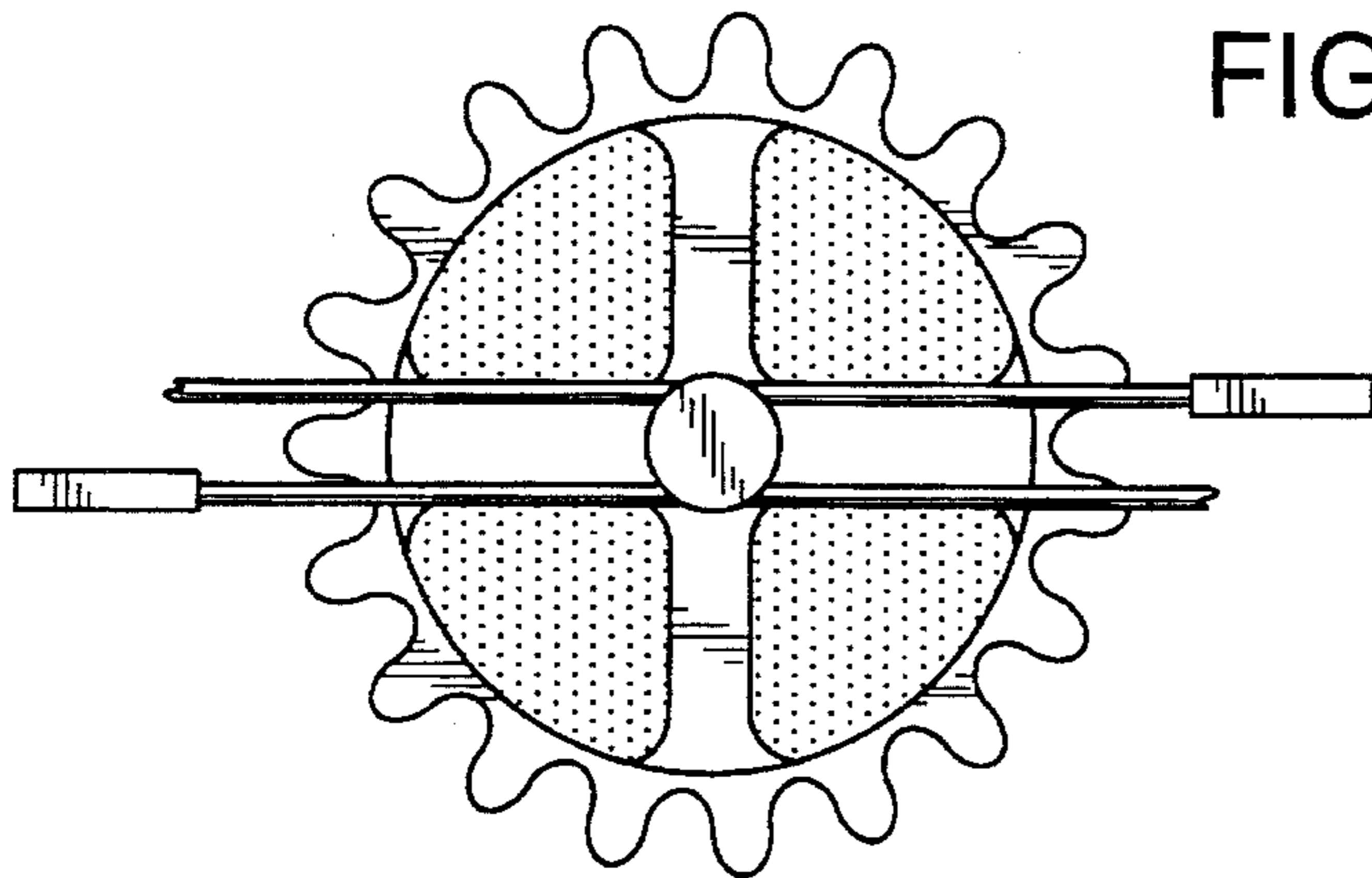


FIG. 4

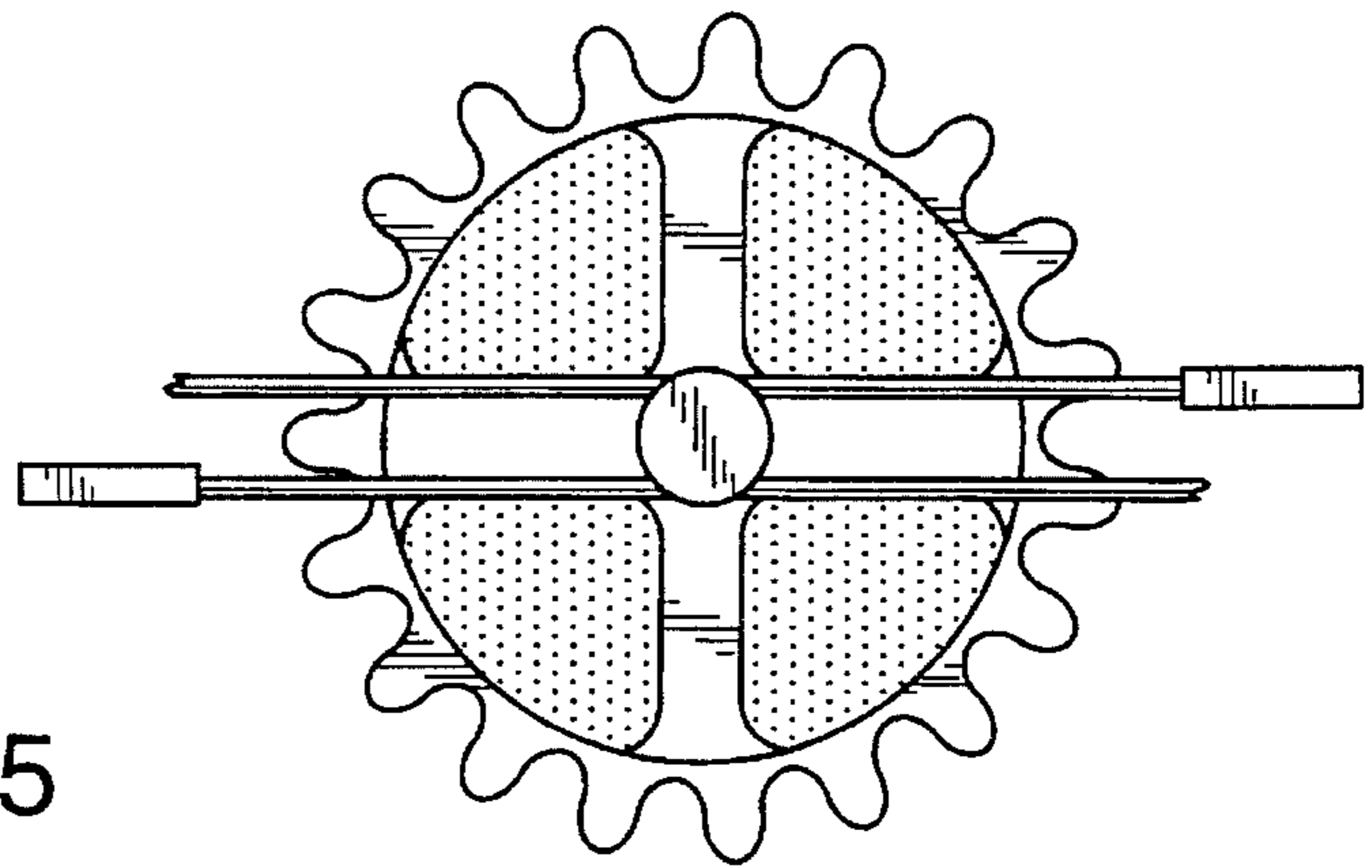


FIG. 5