



US00D367865S

United States Patent [19]

[11] Patent Number: **Des. 367,865**

Bajadali

[45] Date of Patent: ****Mar. 12, 1996**

[54] SINGLE BREAKER ROCK CRUSHER ANVIL

4,699,326 10/1987 Warren 241/275

[75] Inventor: **William J. Bajadali**, Veradale, Wash.

4,756,484 7/1988 Beechler et al. 241/275

[73] Assignee: **Spokane Industries, Inc.**, Spokane, Wash.

5,184,784 2/1993 Rose et al. 241/275

[**] Term: **14 Years**

Primary Examiner—Antoine Duval Davis
Attorney, Agent, or Firm—Wells, St. John, Roberts, Gregory & Matkin

[21] Appl. No.: **30,404**

[57] CLAIM

[22] Filed: **Oct. 28, 1994**

The ornamental design for "single breaker rock crusher anvil", as shown and described.

[52] U.S. Cl. **D15/123**

DESCRIPTION

[58] Field of Search D8/46; D15/122, D15/123, 138, 199; 29/283; 241/275, 300

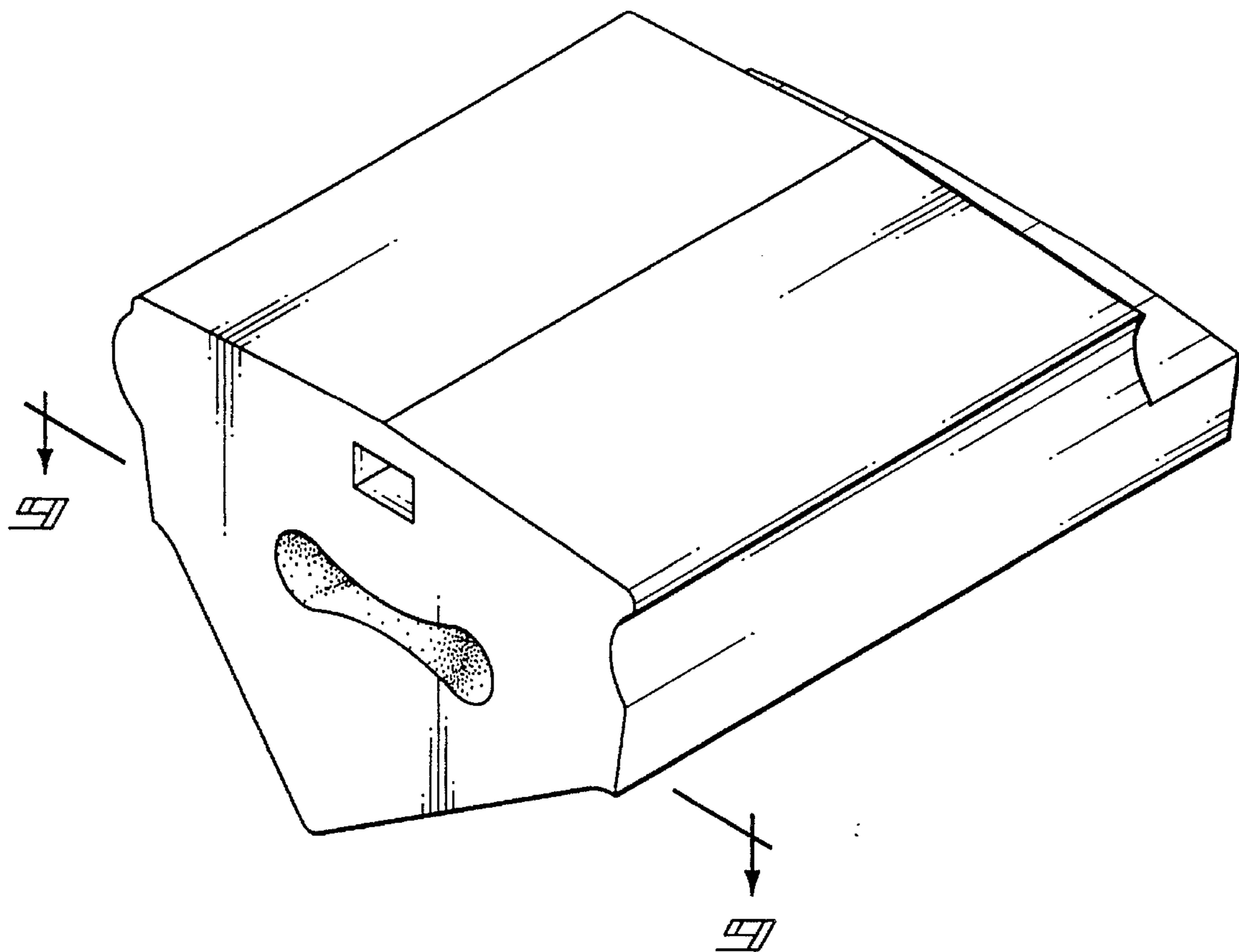
FIG. 1 is a right front plan isometric view of a single breaker rock crusher anvil showing my new design; FIG. 2 is a left front plan isometric view thereof; FIG. 3 is a right rear plan isometric view thereof; FIG. 4 is a left rear plan isometric view thereof; FIG. 5 is a right front bottom isometric view thereof; FIG. 6 is a left front bottom isometric view thereof; FIG. 7 is a right rear bottom isometric view thereof; FIG. 8 is a left rear bottom isometric view thereof; and, FIG. 9 is a partial sectional top view taken along the line 9—9 of FIG. 1.

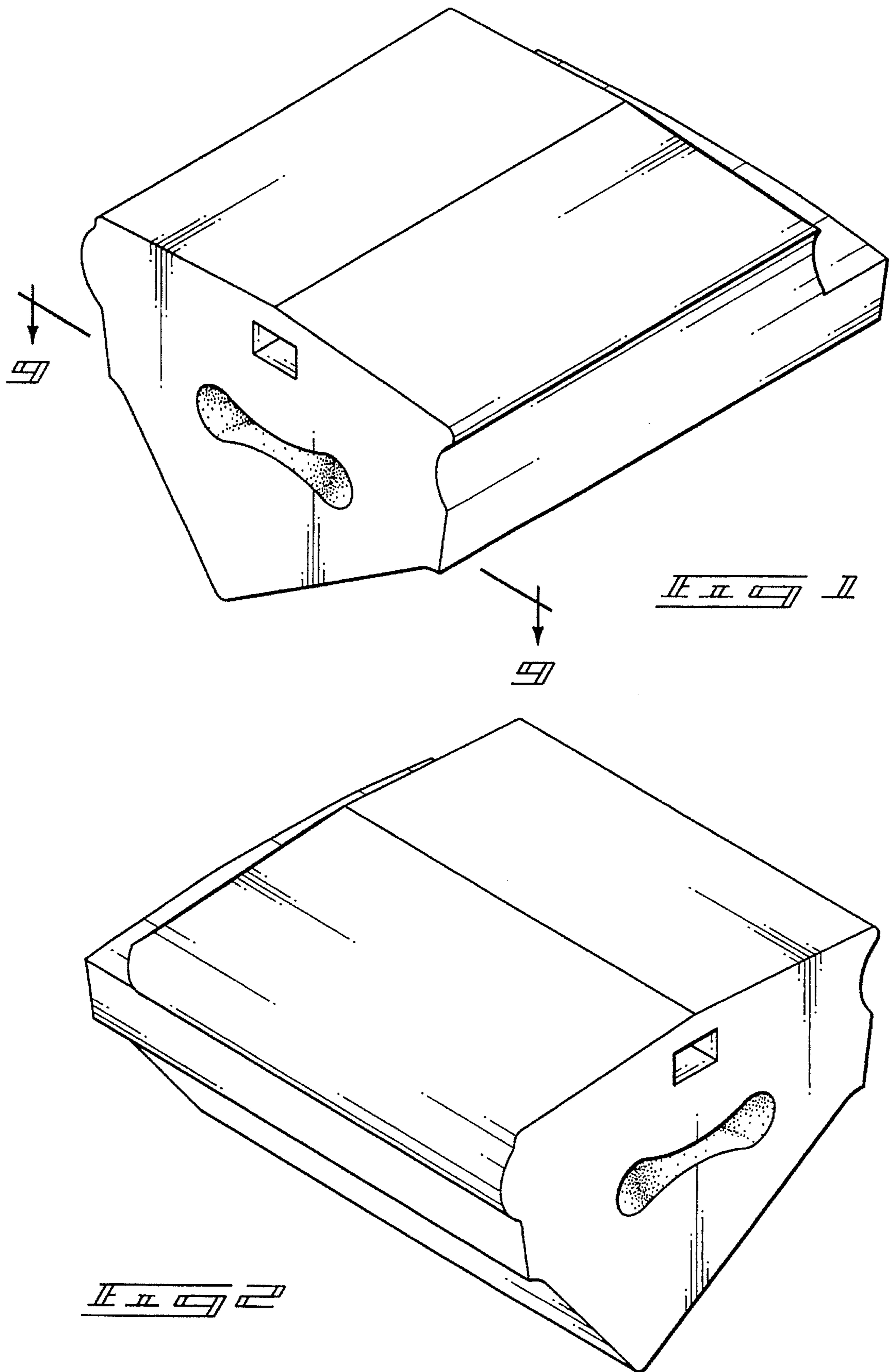
[56] References Cited

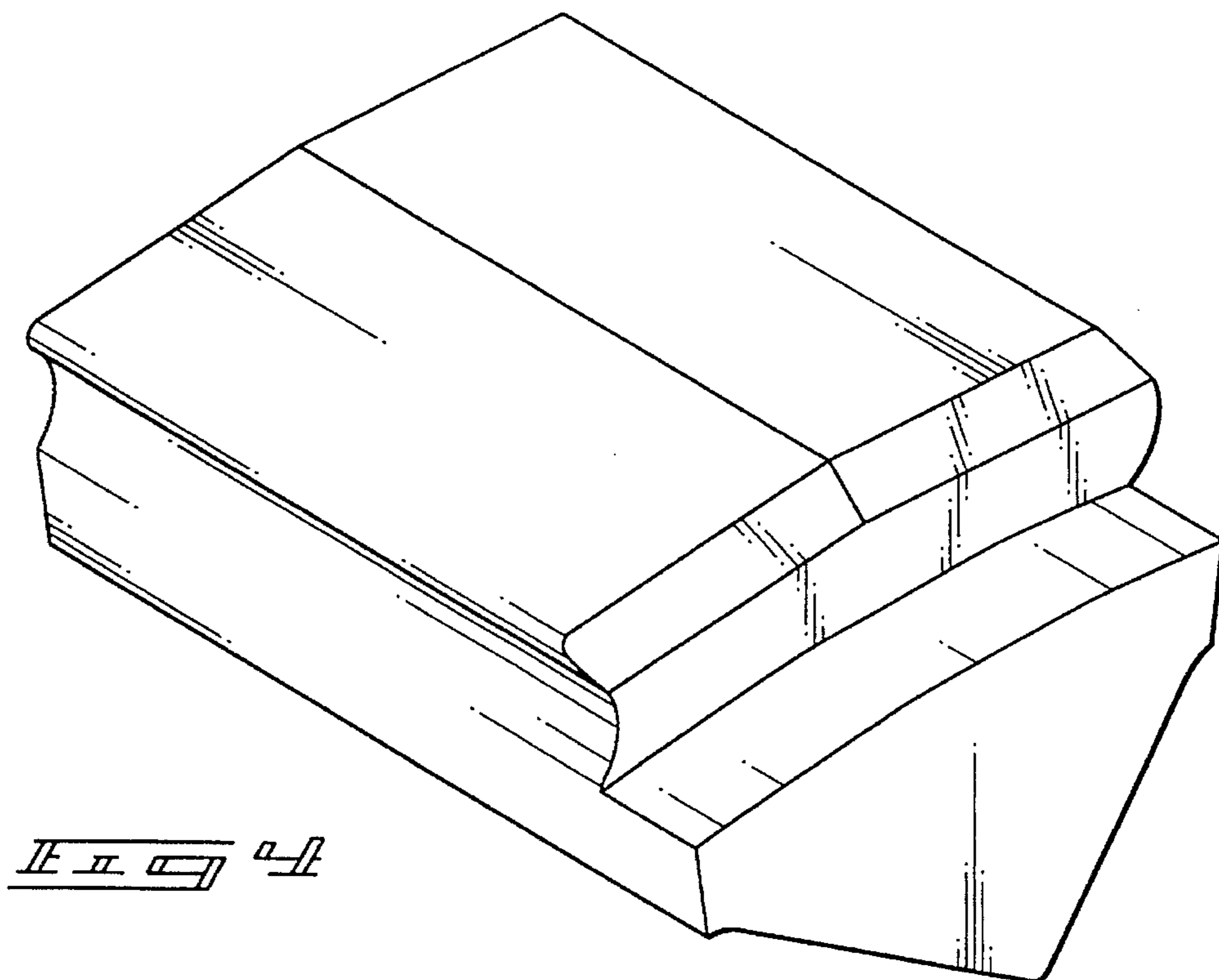
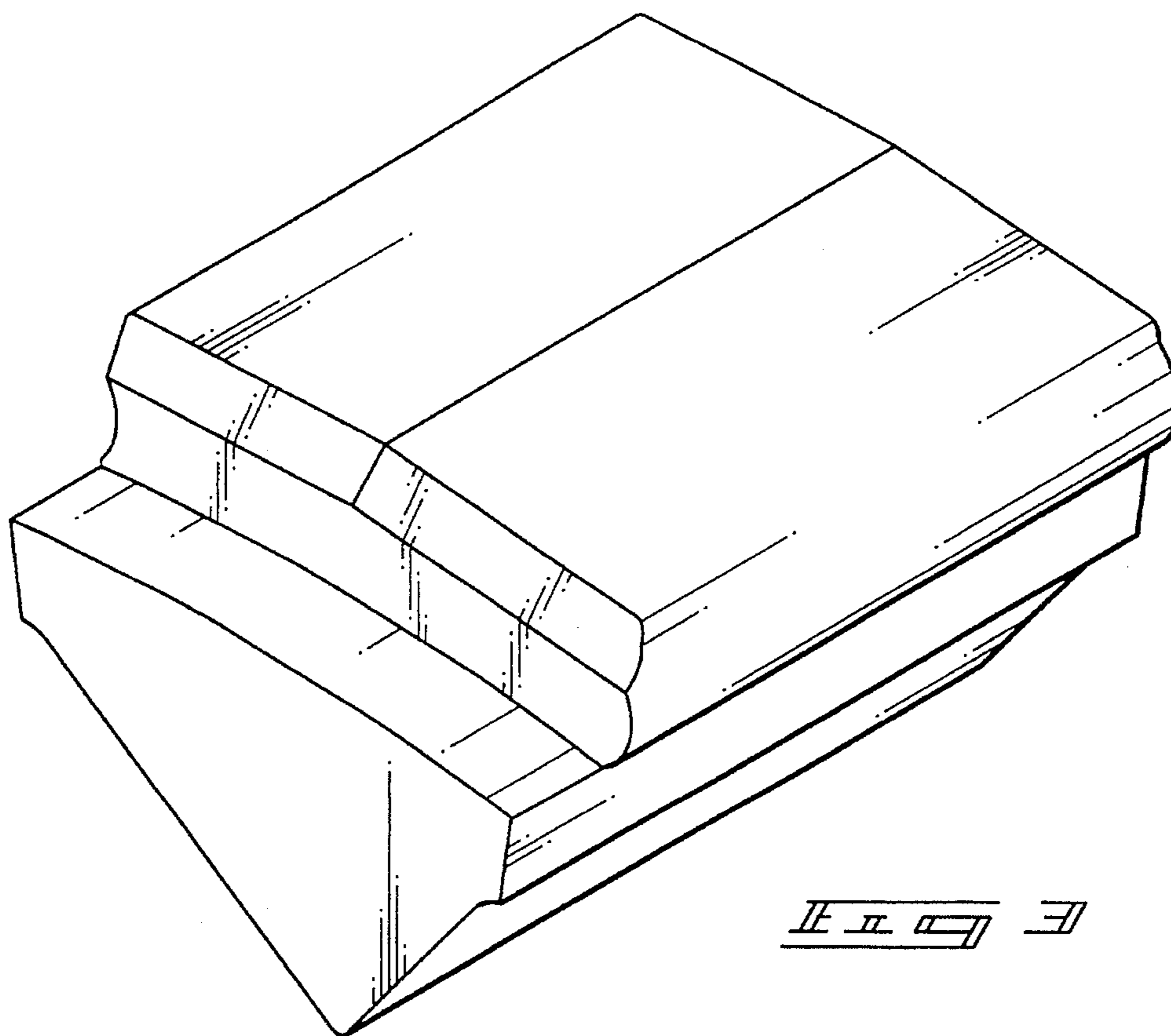
U.S. PATENT DOCUMENTS

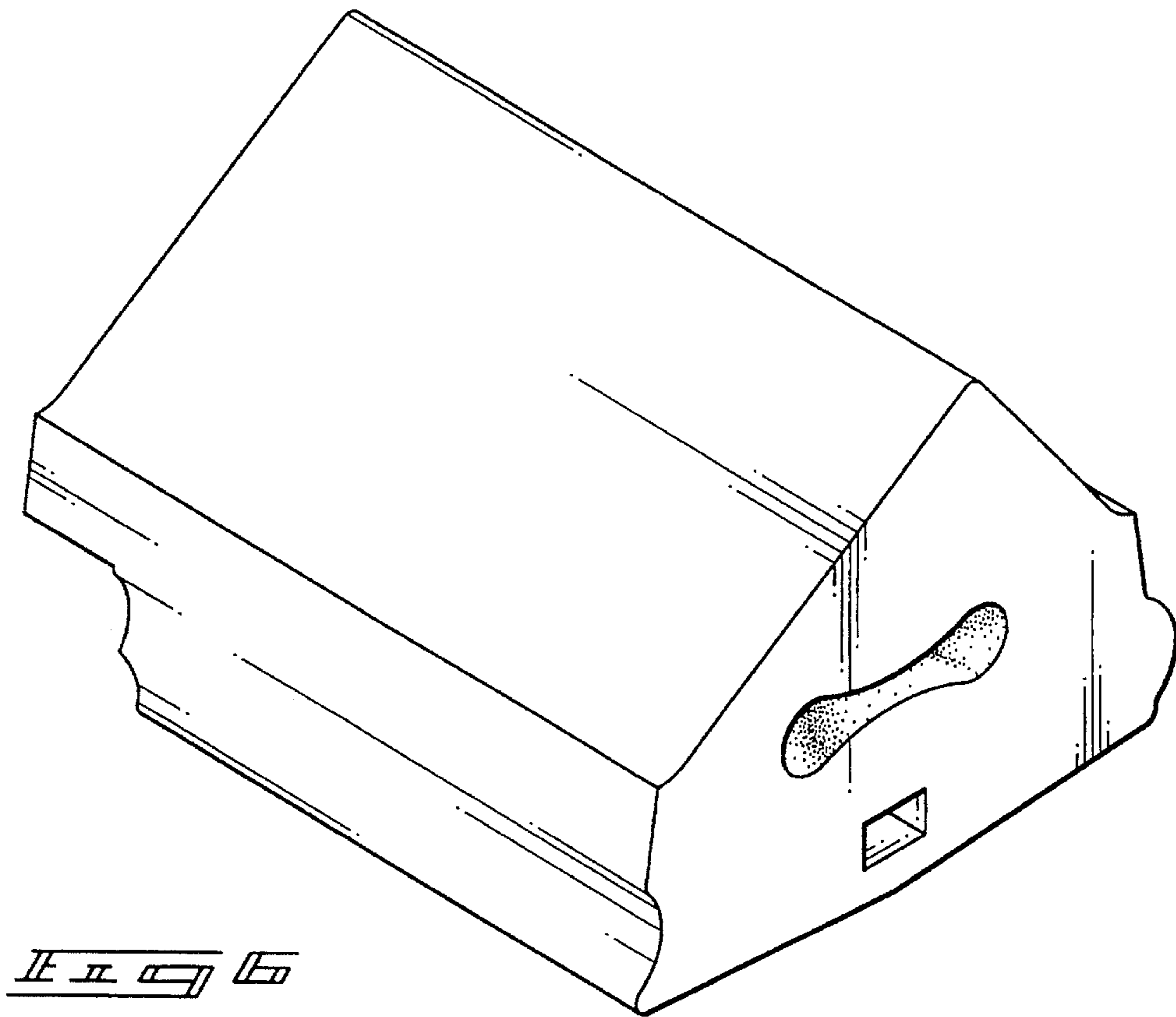
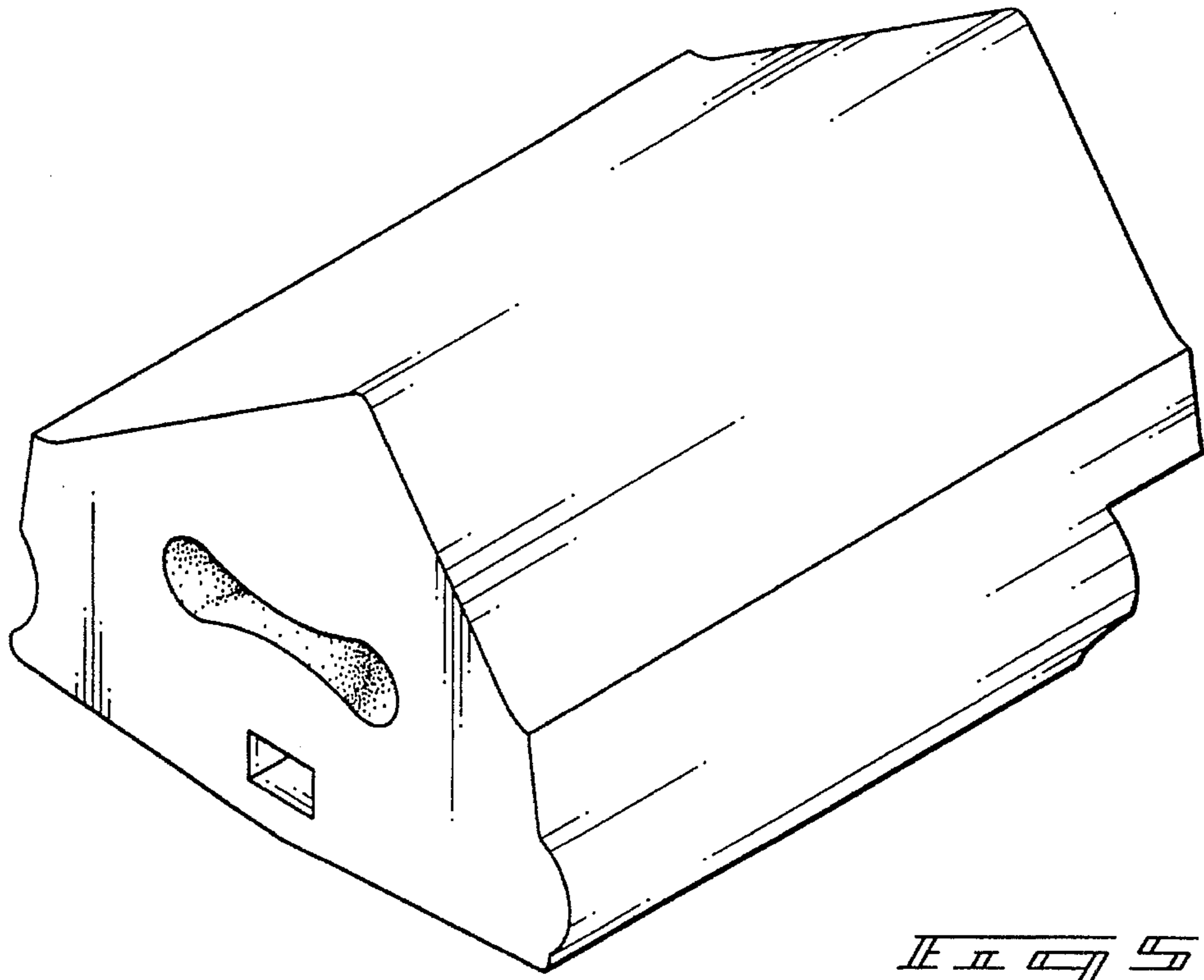
D. 254,256	2/1980	Ackers et al.	D15/123
D. 254,257	2/1980	Ackers et al.	D15/123
2,991,949	7/1961	Sellars	241/275
3,168,991	2/1965	Herman	241/275
3,540,667	11/1970	Parker	241/275
4,090,673	5/1978	Ackers et al.	241/275
4,347,988	9/1982	Warren et al.	241/300
4,355,769	10/1982	Warren et al.	241/275 X
4,659,026	4/1987	Krause et al.	241/275

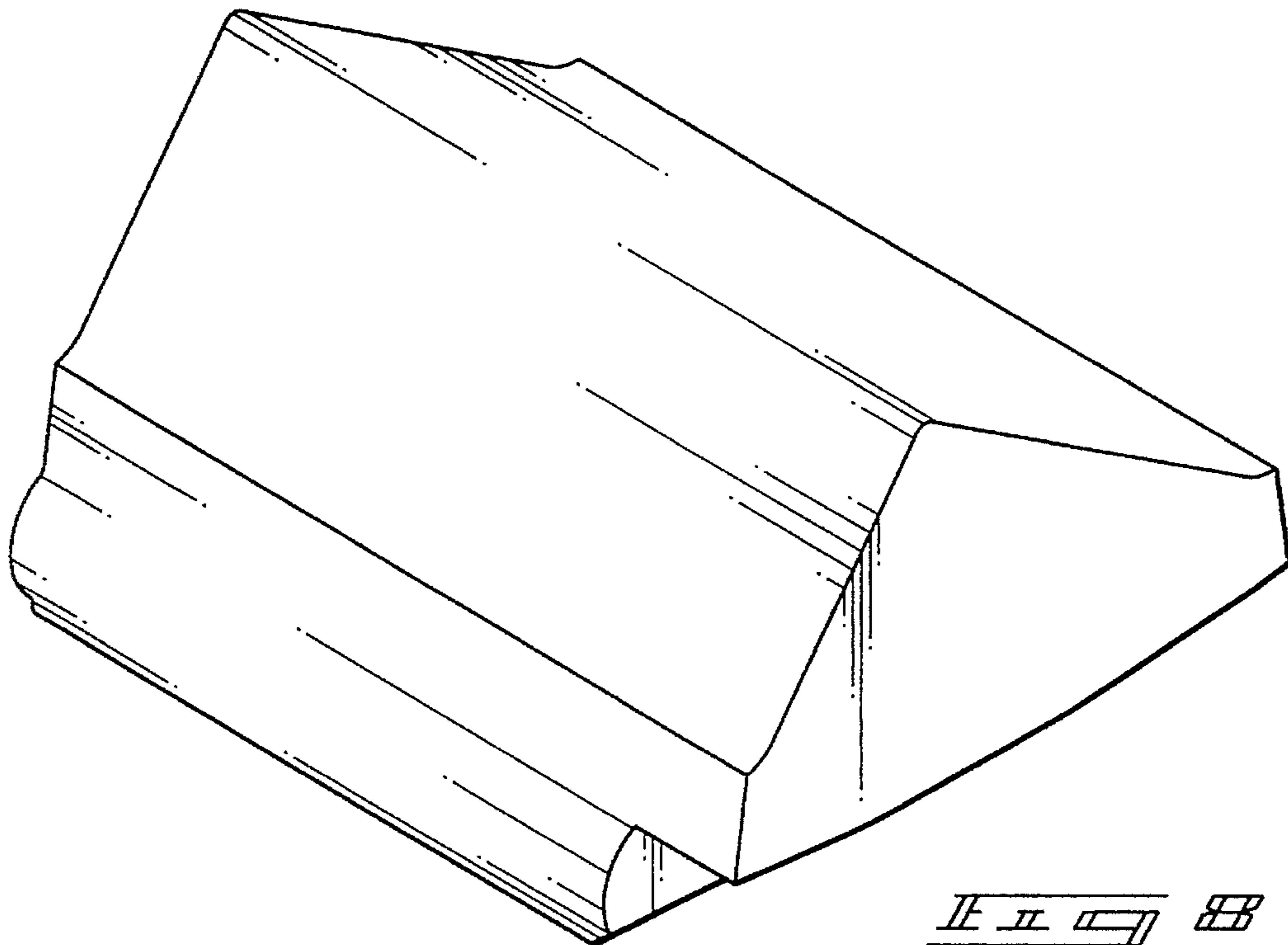
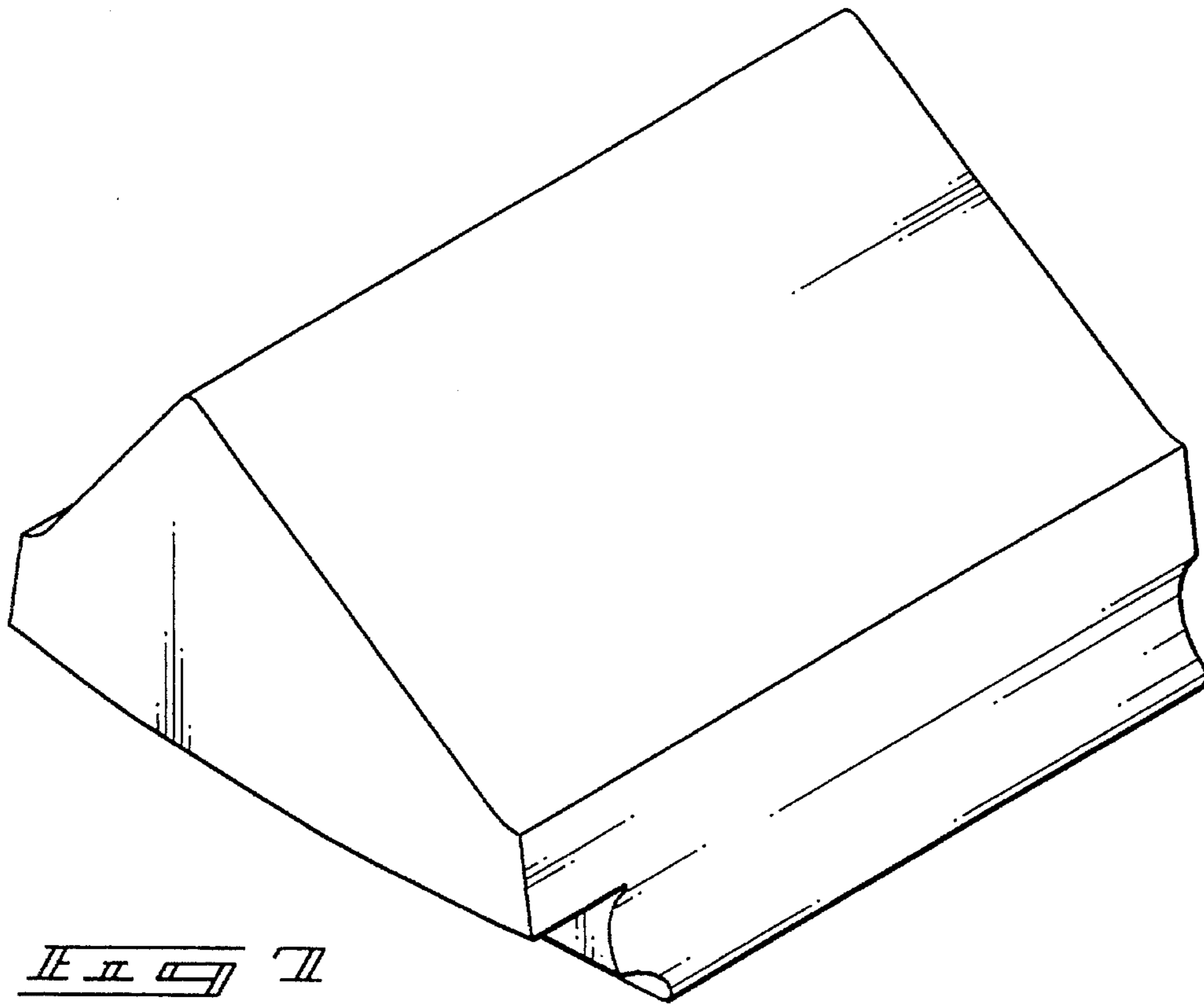
1 Claim, 5 Drawing Sheets











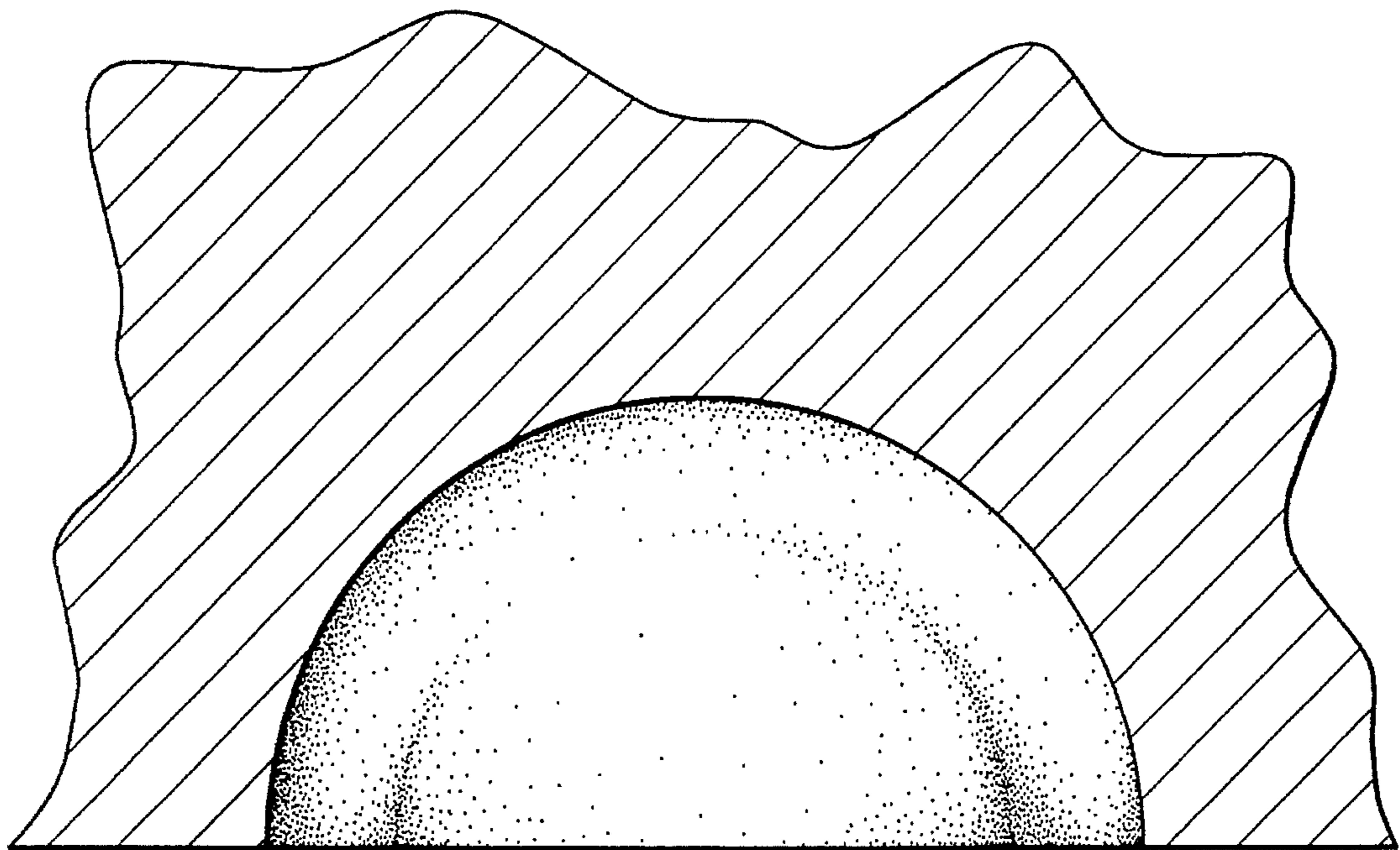


FIG. 9