



US00D367863S

United States Patent [19]

Shiino et al.

[11] Patent Number: **Des. 367,863**

[45] Date of Patent: ****Mar. 12, 1996**

[54] **RODLESS CYLINDER WITH A MOVABLE TABLE**

[75] Inventors: **Masatoshi Shiino**, Kakamihara; **Terumasa Takeuchi**, Aichi; **Osamu Fushihara**, Nagoya, all of Japan

[73] Assignee: **CKD Corporation**, Aichi, Japan

[**] Term: **14 Years**

[21] Appl. No.: **34,164**

[22] Filed: **Jan. 27, 1995**

[30] **Foreign Application Priority Data**

Jul. 29, 1994 [JP] Japan 6-23011
Jul. 29, 1994 [JP] Japan 6-23012

[52] U.S. Cl. **D15/5; D15/143**

[58] Field of Search D15/5, 143; 92/88;
384/18, 40, 41, 42, 43, 49, 25, 39

[56] **References Cited**

U.S. PATENT DOCUMENTS

D. 317,922 7/1991 Toyota et al. D15/5
D. 329,434 9/1992 Toyota et al. D15/5

D. 344,964 3/1994 Yamazaki D15/143
D. 351,848 10/1994 Yamazaki D15/143
5,265,963 11/1993 Kawaguchi 384/43
5,267,796 12/1993 Nonaka et al. 384/43 X
5,311,810 5/1994 Takada et al. 92/88

Primary Examiner—Antoine Duval Davis
Attorney, Agent, or Firm—Nawrocki, Rooney & Sivertson

[57] **CLAIM**

The ornamental design for a rodless cylinder with a movable table, as shown and described.

DESCRIPTION

FIG. 1 is a top plan view of a rodless cylinder with a movable table showing our new design; FIG. 2 is a front elevational view thereof, showing a table located at a left end within its movable range; FIG. 3 is a bottom plan view thereof; FIG. 4 is a rear elevational view thereof; FIG. 5 is a left side elevational view thereof; FIG. 6 is a right side elevational view thereof; FIG. 7 is a perspective view thereof; and, FIG. 8 is a front elevational view thereof, showing the table located at a right end within its movable range.

1 Claim, 3 Drawing Sheets

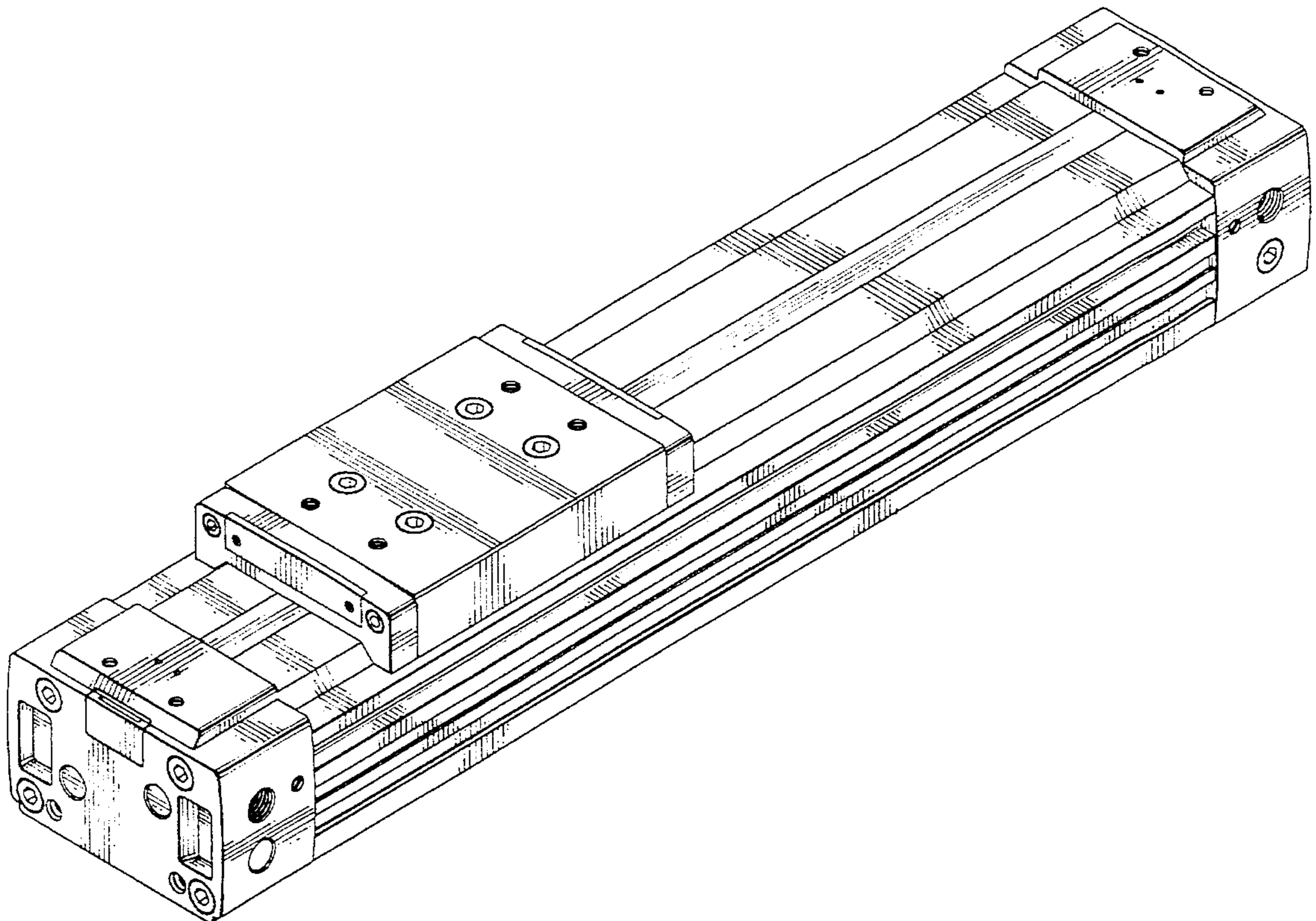


Fig. 1

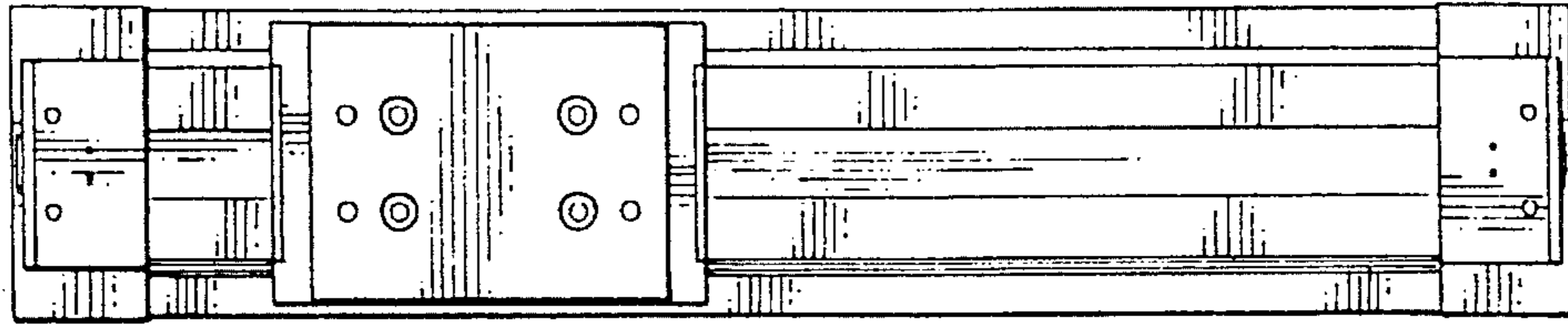


Fig. 2

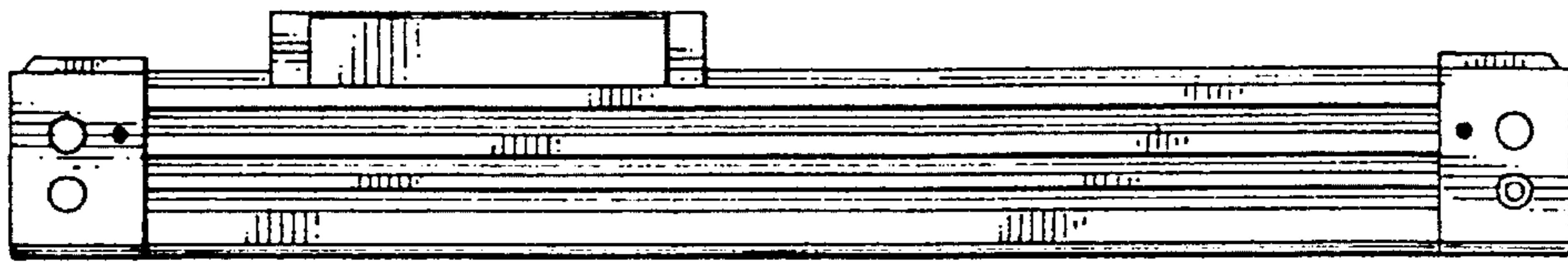


Fig. 3

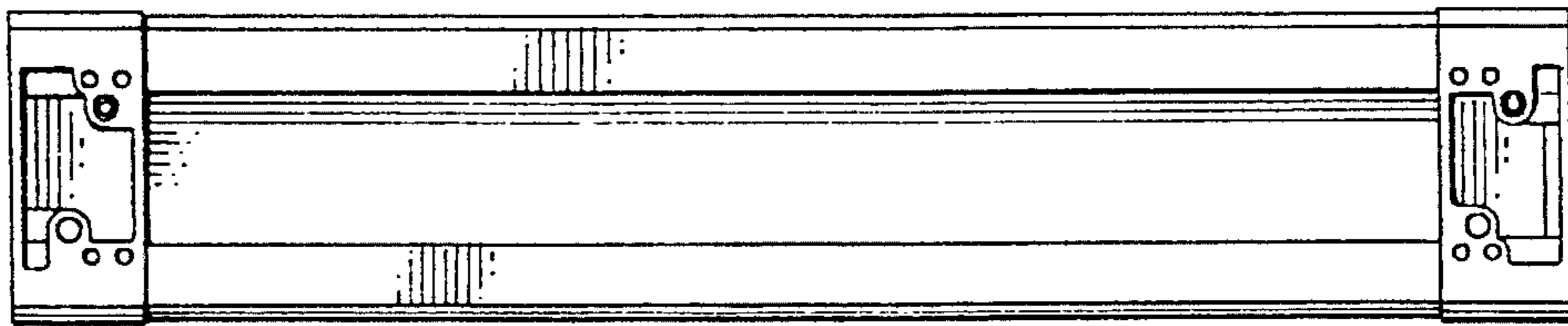


Fig. 4

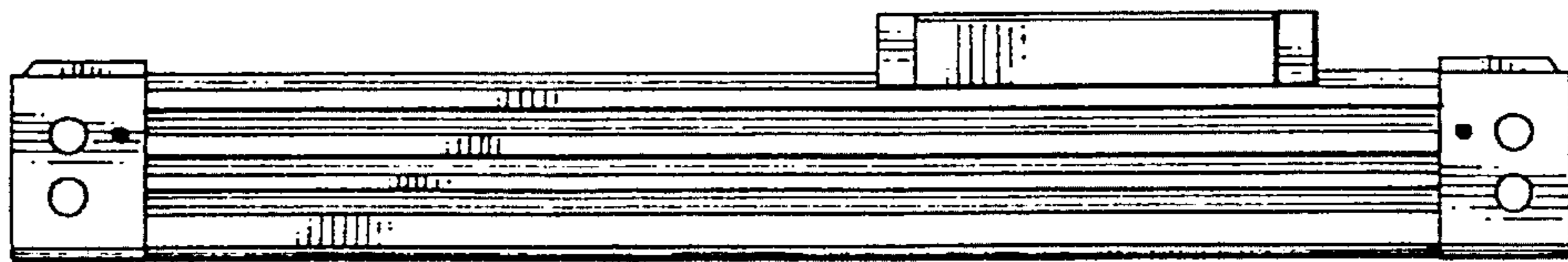


Fig. 5

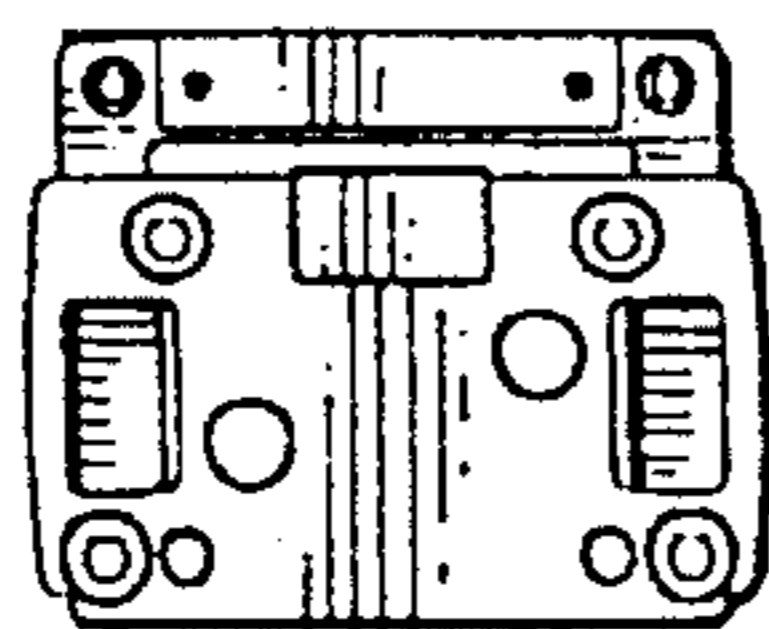
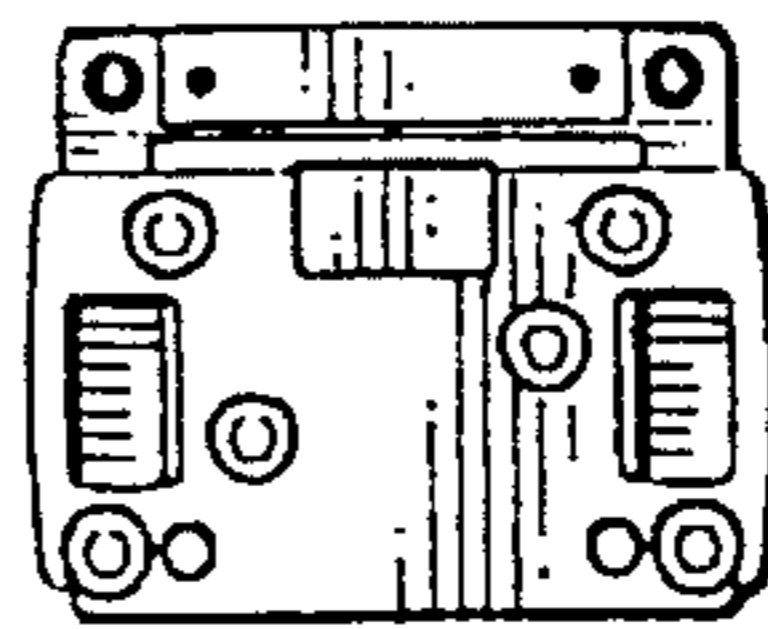


Fig. 6



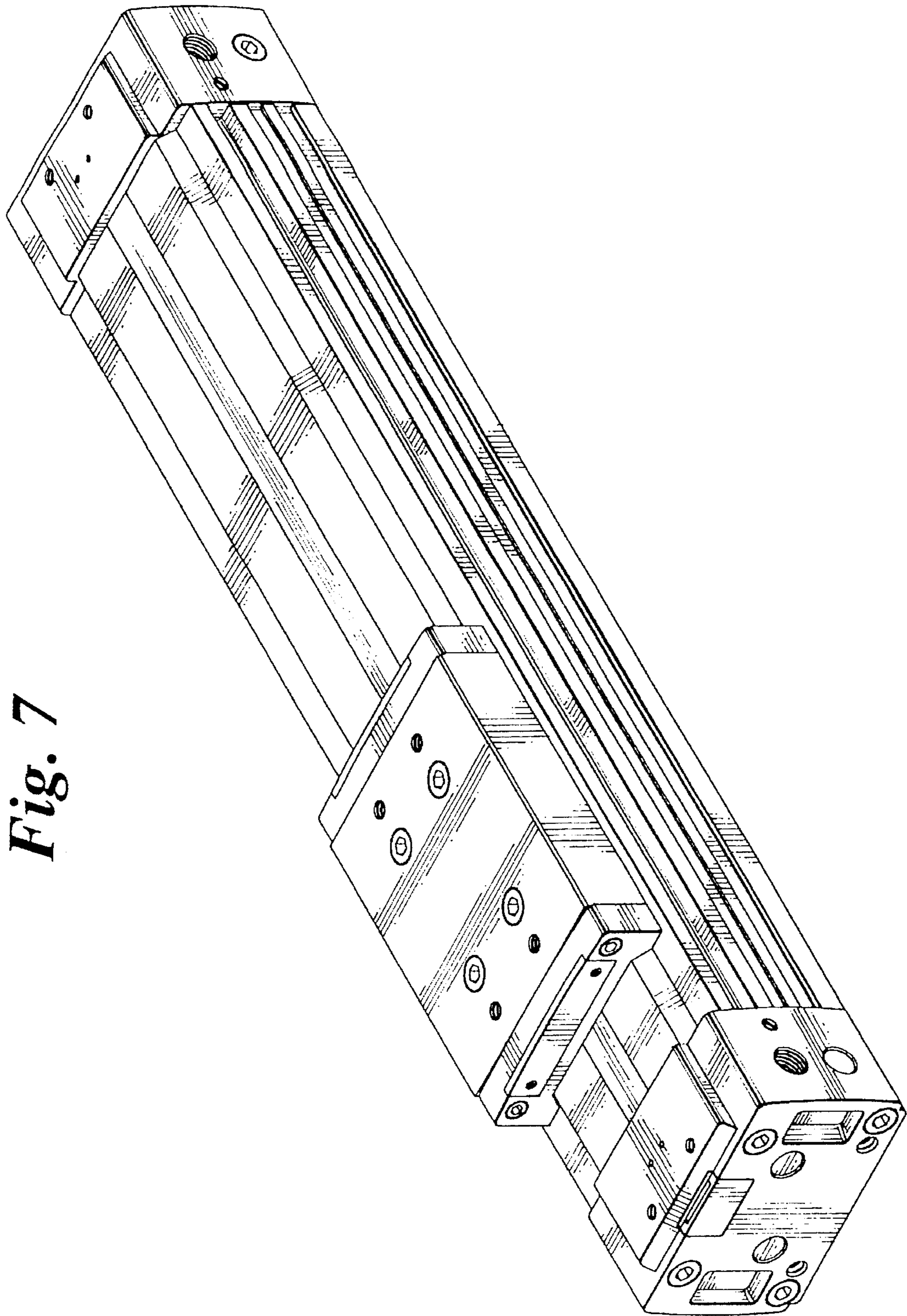


Fig. 7

Fig. 8

