



US00D367861S

United States Patent [19]

Scheid et al.

[11] Patent Number: **Des. 367,861**

[45] Date of Patent: ****Mar. 12, 1996**

[54] **SELECTIVE CALL RECEIVER**

[75] Inventors: **William J. Scheid**, Coral Springs;
Suthirug Pisutha-Arnond, Boynton Beach;
Michael J. Hartigan, Boca Raton, all of Fla.

[73] Assignee: **Motorola, Inc.**, Schaumburg, Ill.

[**] Term: **14 Years**

[21] Appl. No.: **24,153**

[22] Filed: **Jun. 9, 1994**

[52] U.S. Cl. **D14/191**

[58] Field of Search D14/124, 188,
D14/191, 192, 299; 340/311.1; 455/92,
100, 128, 344

[56] **References Cited**

U.S. PATENT DOCUMENTS

- D. 325,912 5/1992 Sakai et al. D14/191
- D. 327,268 6/1992 Scheid et al. .
- D. 342,501 12/1993 Saeki et al. D14/126

- D. 353,377 12/1994 Scheid et al. D14/191
- D. 353,592 12/1994 Davis et al. D14/191

Primary Examiner—Ted Shooman
Assistant Examiner—Nanda Bondade
Attorney, Agent, or Firm—Pablo Meles

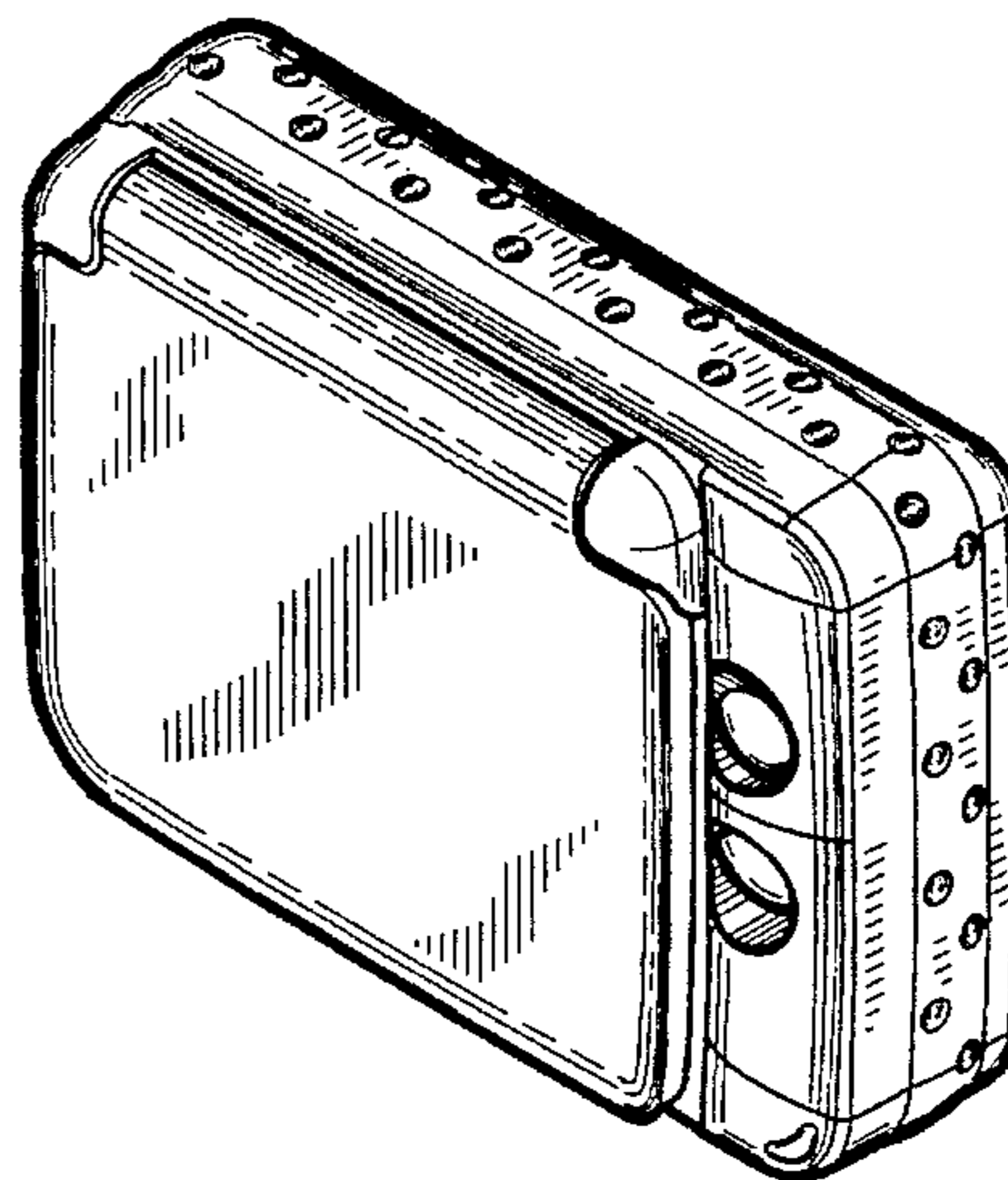
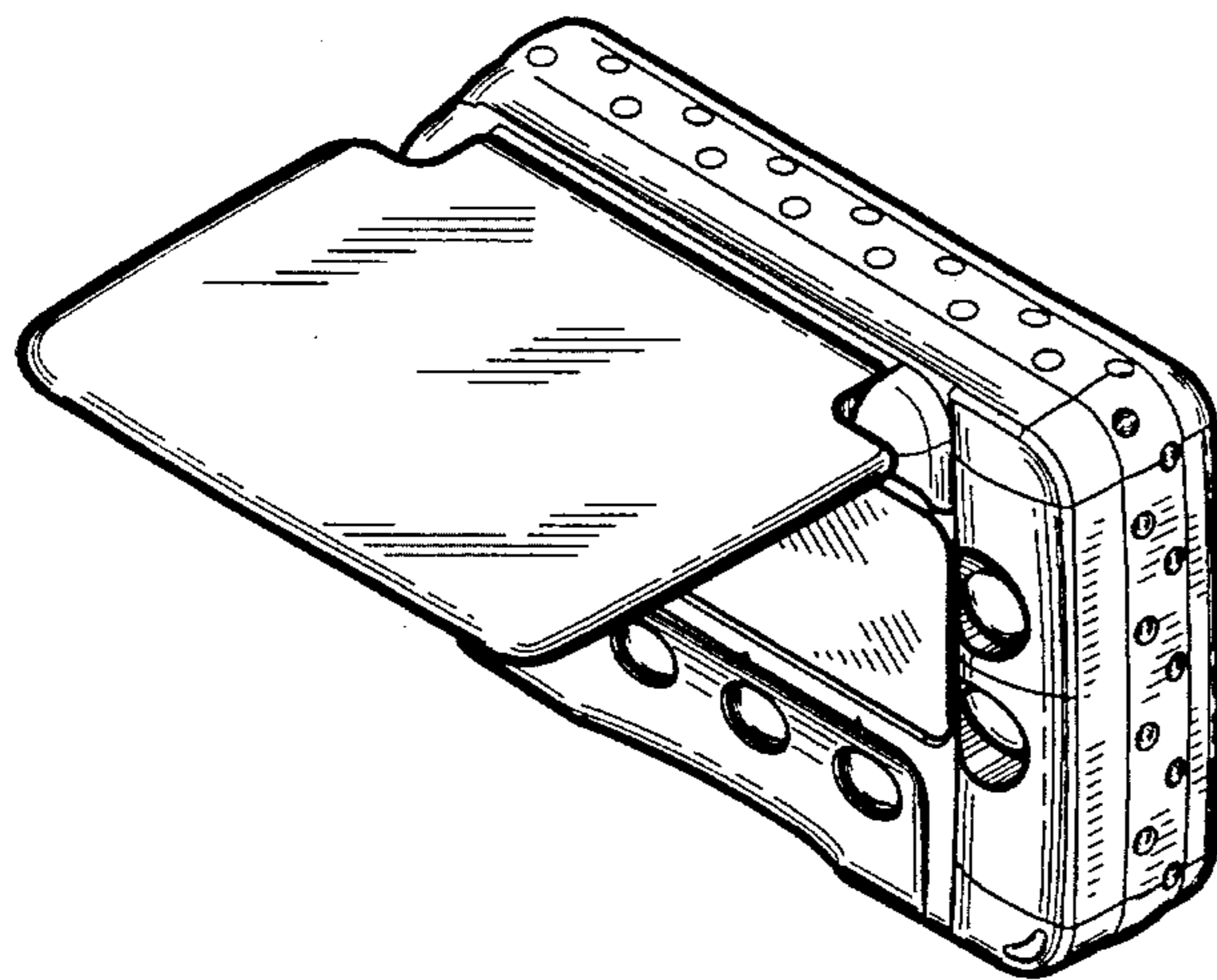
[57] **CLAIM**

The ornamental design for a selective call receiver, as shown and described.

DESCRIPTION

FIG. 1 is a top plan view of a selective call receiver showing our new design, with the lid shown in an open position; FIG. 2 is a front elevational view thereof; FIG. 3 is a bottom view thereof; FIG. 4 is a right side view thereof; FIG. 5 is a left side view thereof; FIG. 6 is a rear elevational view thereof; FIG. 7 is a top, front and right side perspective view thereof, and, FIG. 8 is a top, front and right side perspective view thereof, with the lid shown in a closed position.

1 Claim, 3 Drawing Sheets



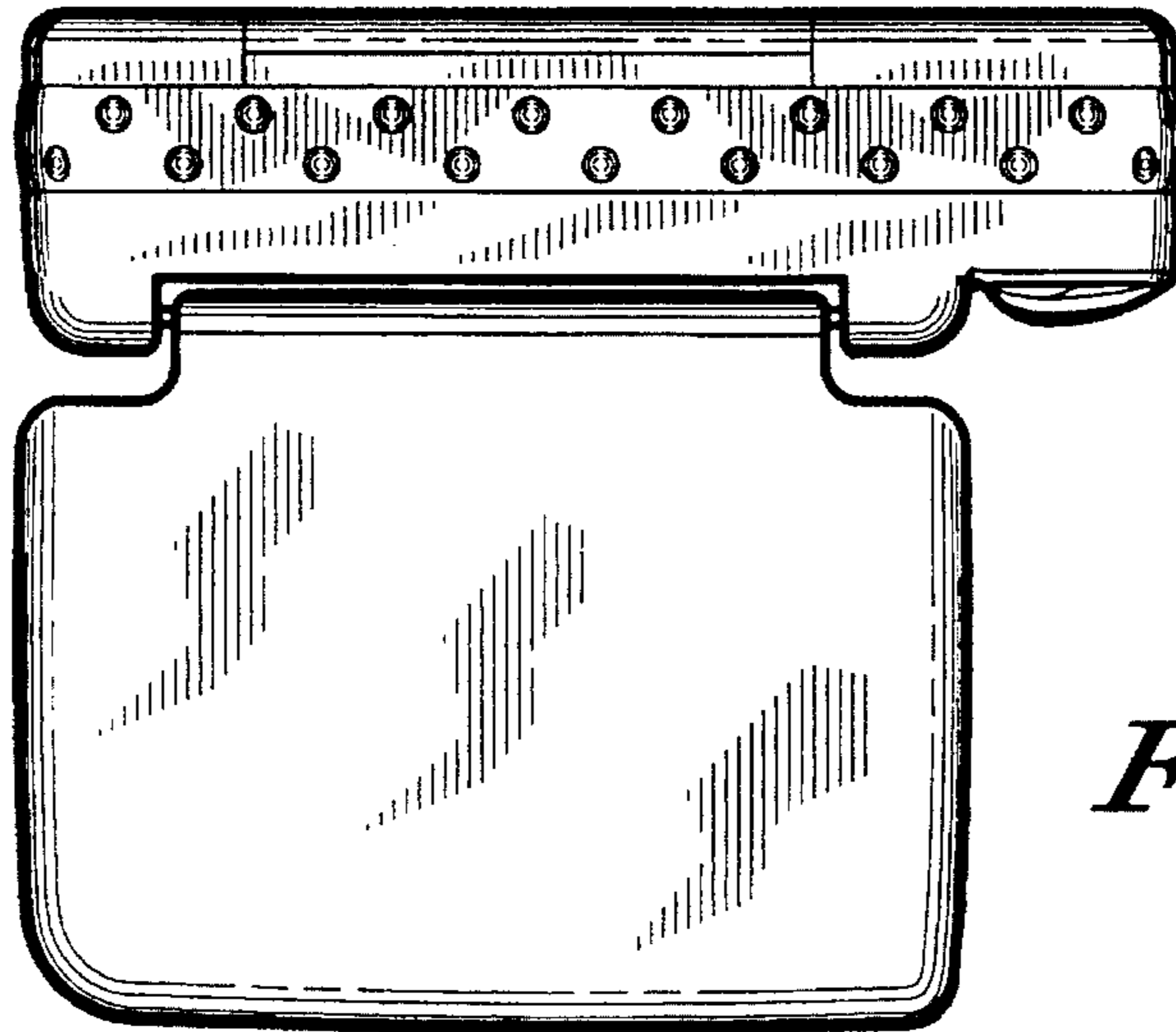


FIG. 1

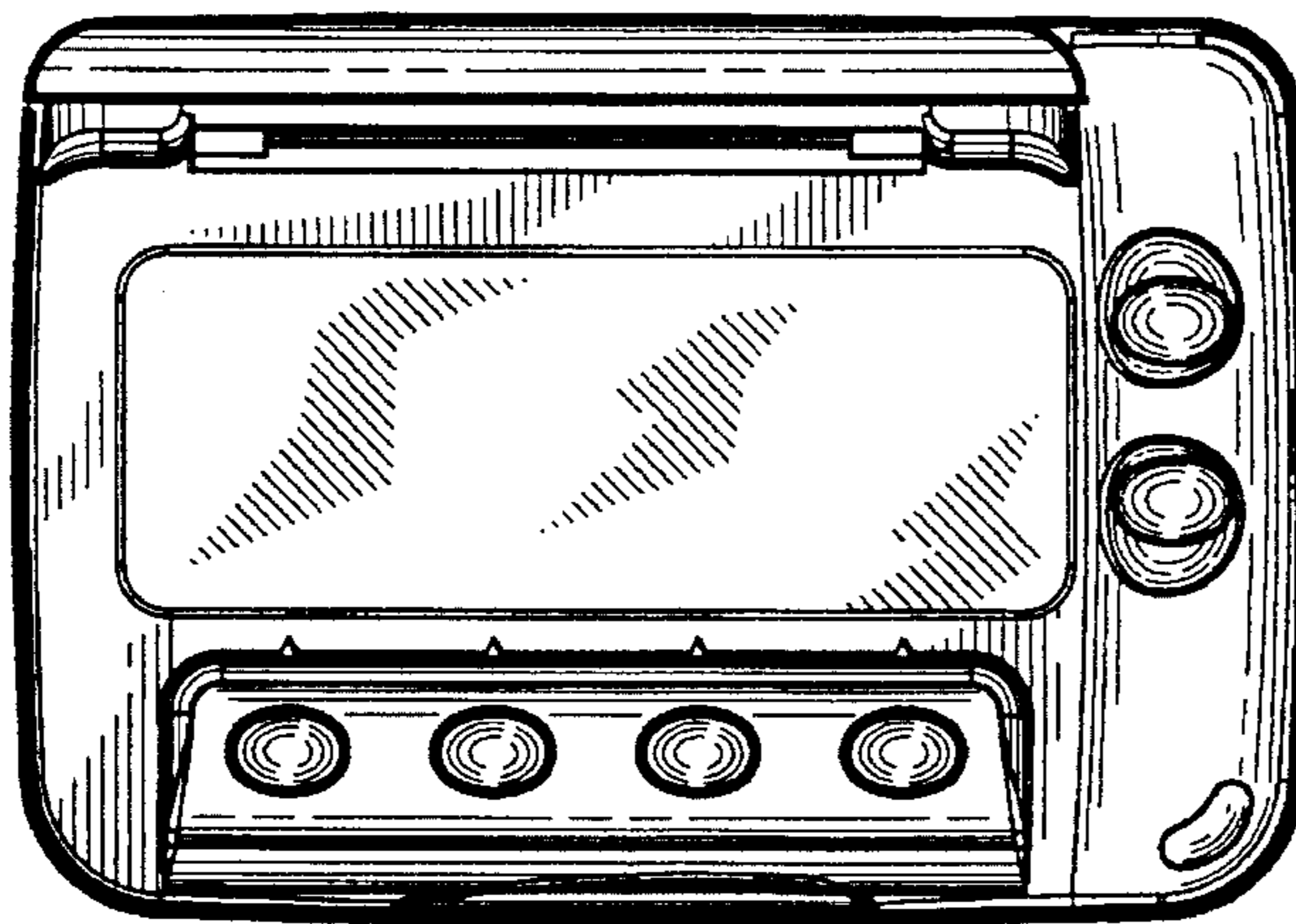


FIG. 2

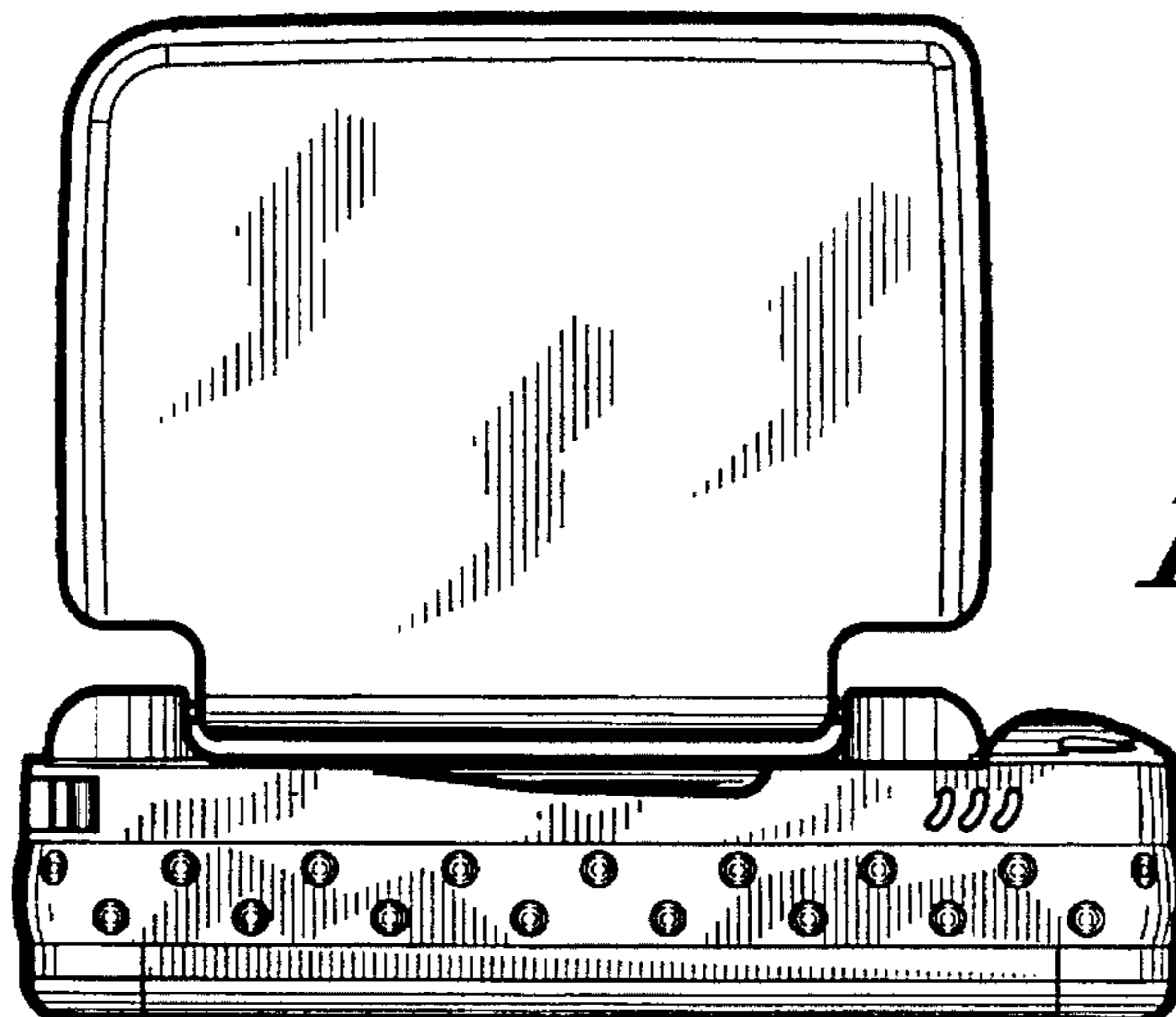


FIG. 3

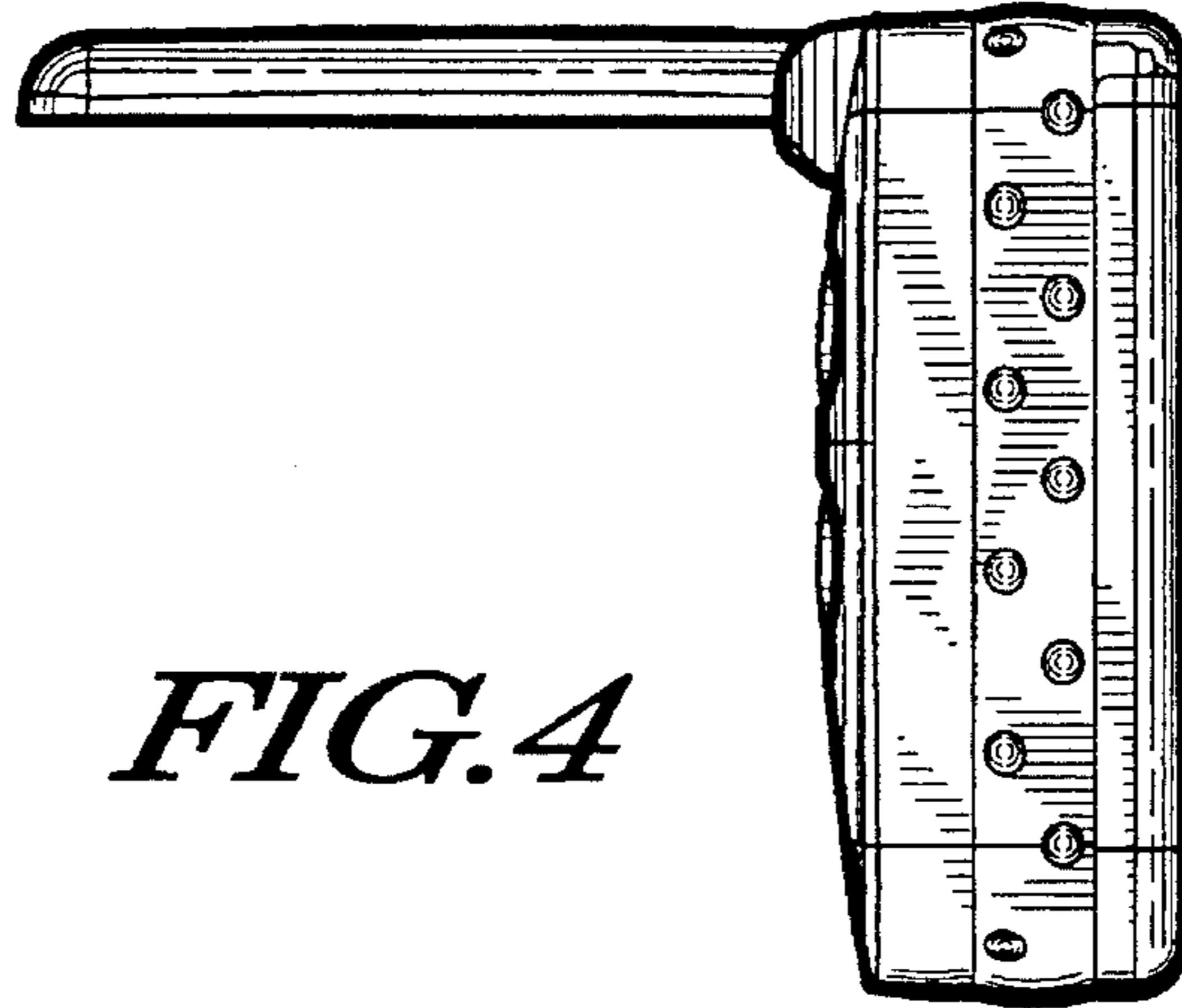


FIG. 4

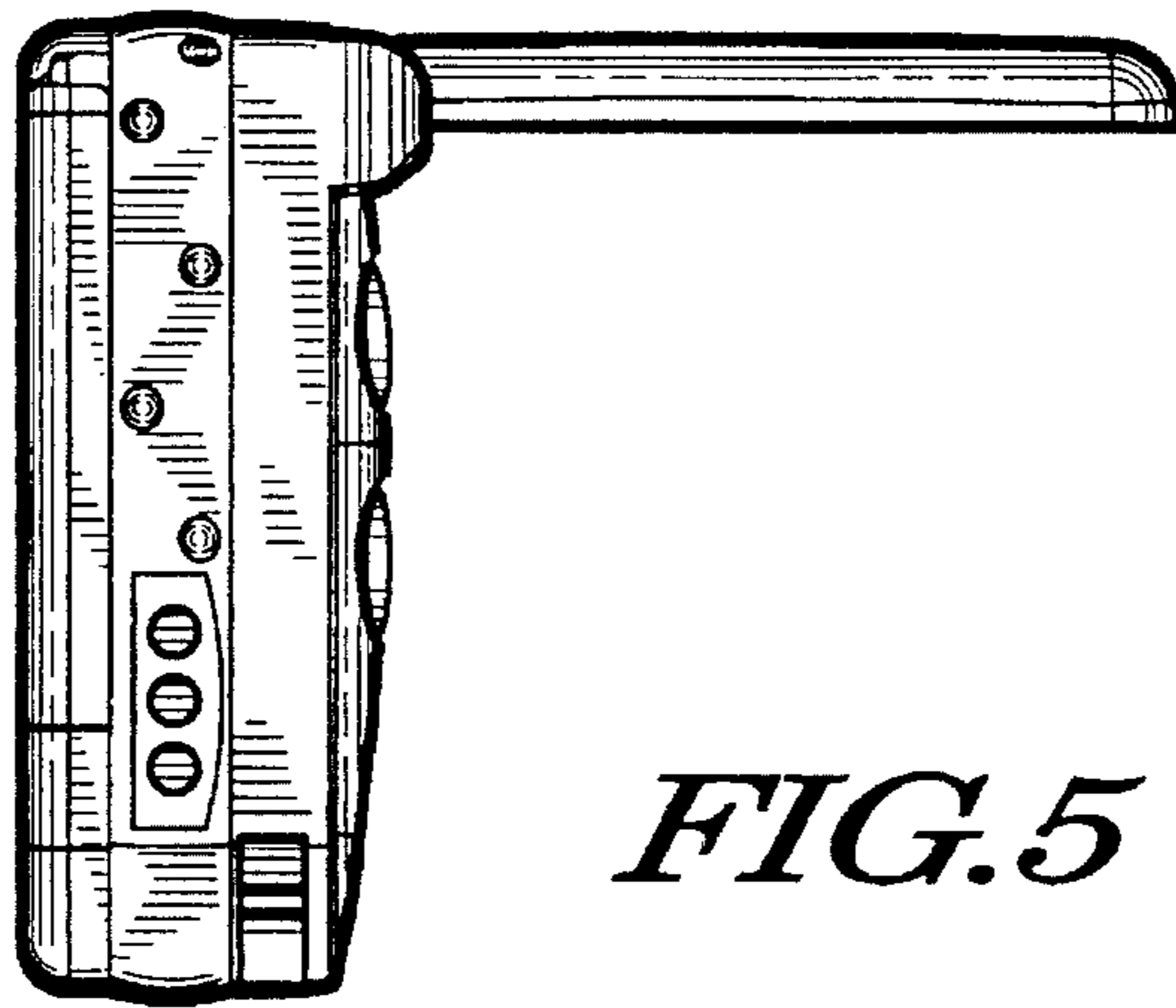


FIG. 5

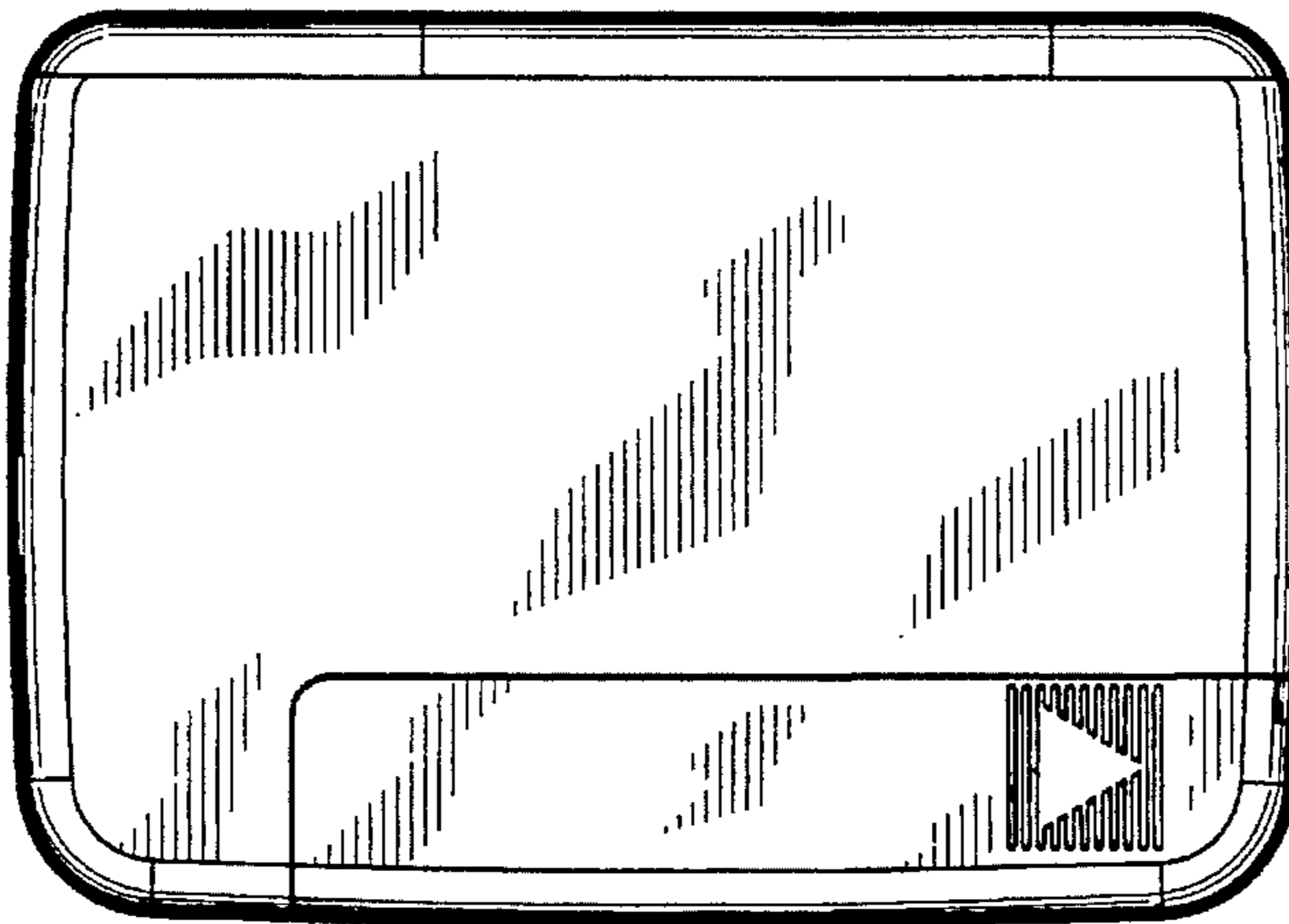


FIG. 6

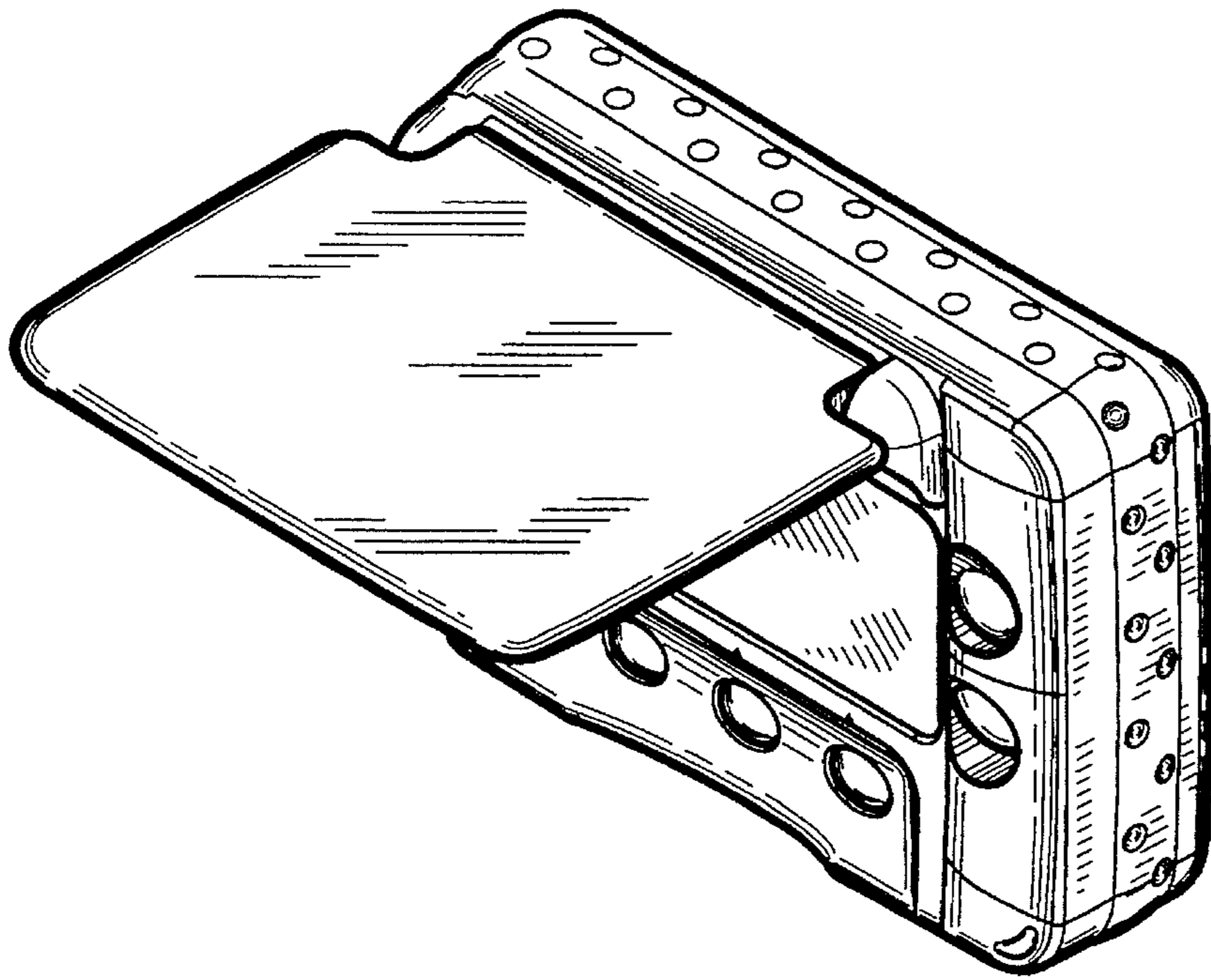


FIG. 7

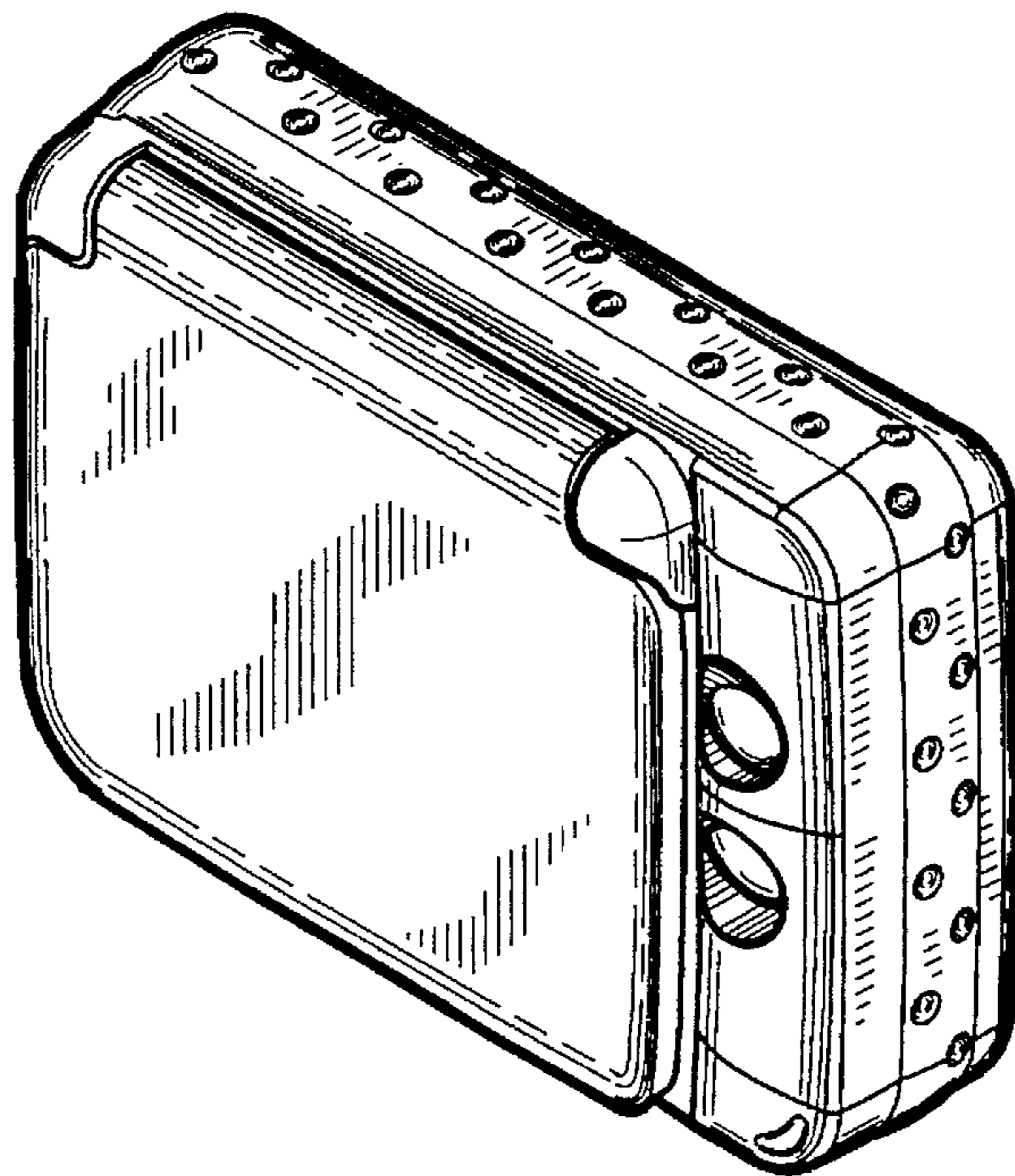


FIG. 8