



US00D367860S

# United States Patent [19]

Ichikiawa et al.

[11] Patent Number: **Des. 367,860**

[45] Date of Patent: **\*\*Mar. 12, 1996**

[54] **COMBINED TAPE RECORDER AND RADIO RECEIVER**

[75] Inventors: **Kazuo Ichikiawa**, Kanagawa; **Hitoshi Takahashi**, Chiba; **Katsumi Koshimura**, Tokyo, all of Japan

[73] Assignee: **Sony Corporation**, Tokyo, Japan

[\*\*] Term: **14 Years**

[21] Appl. No.: **23,124**

[22] Filed: **May 18, 1994**

[52] U.S. Cl. .... **D14/163**; D14/168

[58] Field of Search ..... D14/160-165, D14/167-168, 188, 192, 196; 455/344, 347, 350, 351

[56] **References Cited**

**U.S. PATENT DOCUMENTS**

D. 297,729	9/1988	Levow	.....	D14/154
D. 305,540	1/1990	Kawabe et al.	.....	D14/163
D. 312,640	12/1990	Taniguchi	.....	D14/196
D. 320,790	10/1991	Kashiwagi	.....	D14/163
D. 344,519	2/1994	Kanno	.....	D14/163

**OTHER PUBLICATIONS**

Sony Style Spring/Summer 1993, catalog, p. 51, CFM-104 Sports series Radio/Cassette Recorder.

*Primary Examiner*—Ted Shooman  
*Assistant Examiner*—Nanda Bondade  
*Attorney, Agent, or Firm*—Thomas G. Carulli

[57] **CLAIM**

The ornamental design for a combined tape recorder and radio receiver, as shown and described.

**DESCRIPTION**

FIG. 1 is a top, front and right-side perspective view of a combined tape recorder and radio receiver, showing our new design;

FIG. 2 is a top, front and right-side perspective view thereof, shown in the open position;

FIG. 3 is a front elevational view thereof;

FIG. 4 is a rear elevational view thereof;

FIG. 5 is a left-side elevational view thereof;

FIG. 6 is a right-side elevational view thereof;

FIG. 7 is a top plan view thereof; and,

FIG. 8 is a bottom plan view thereof.

**1 Claim, 3 Drawing Sheets**

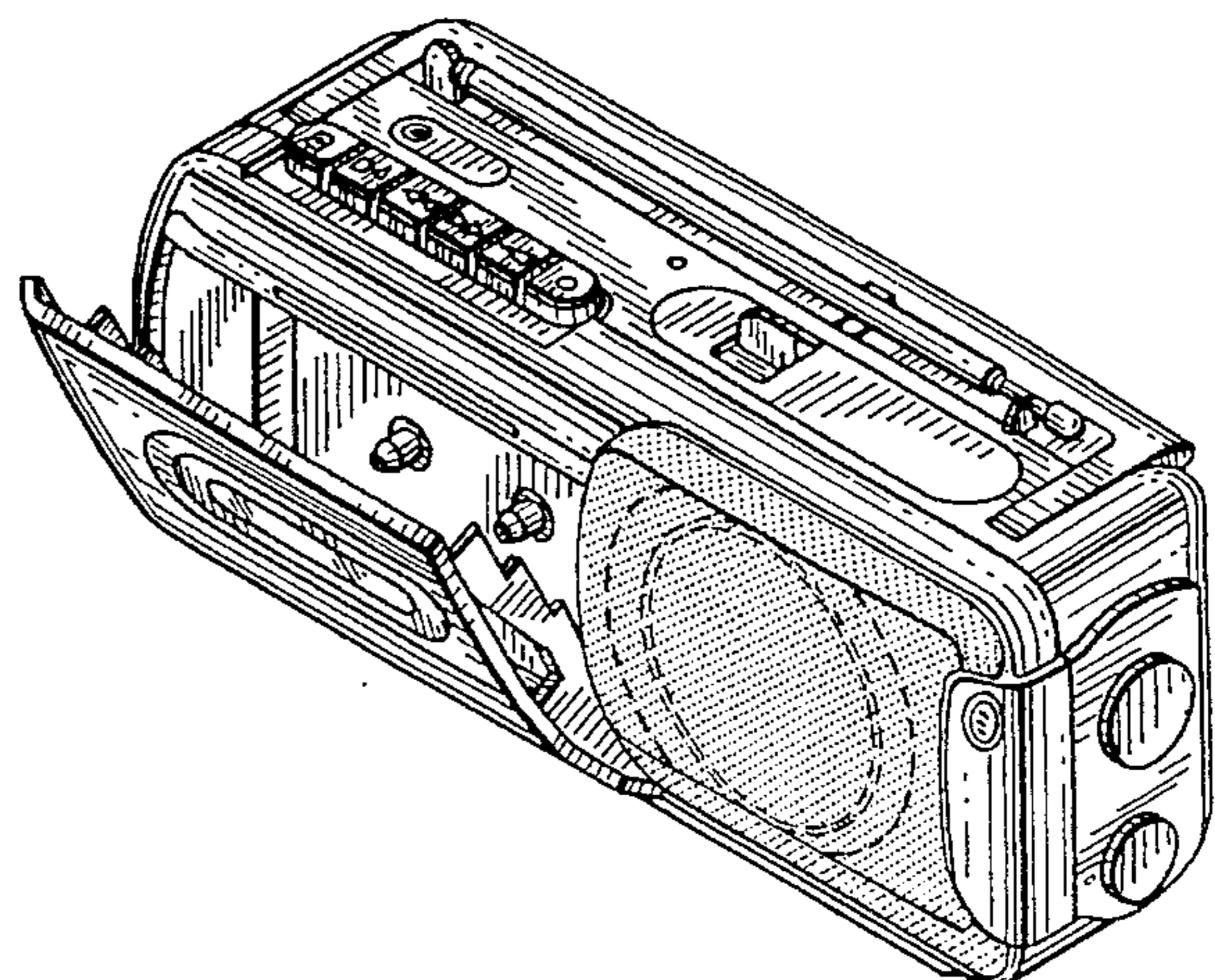
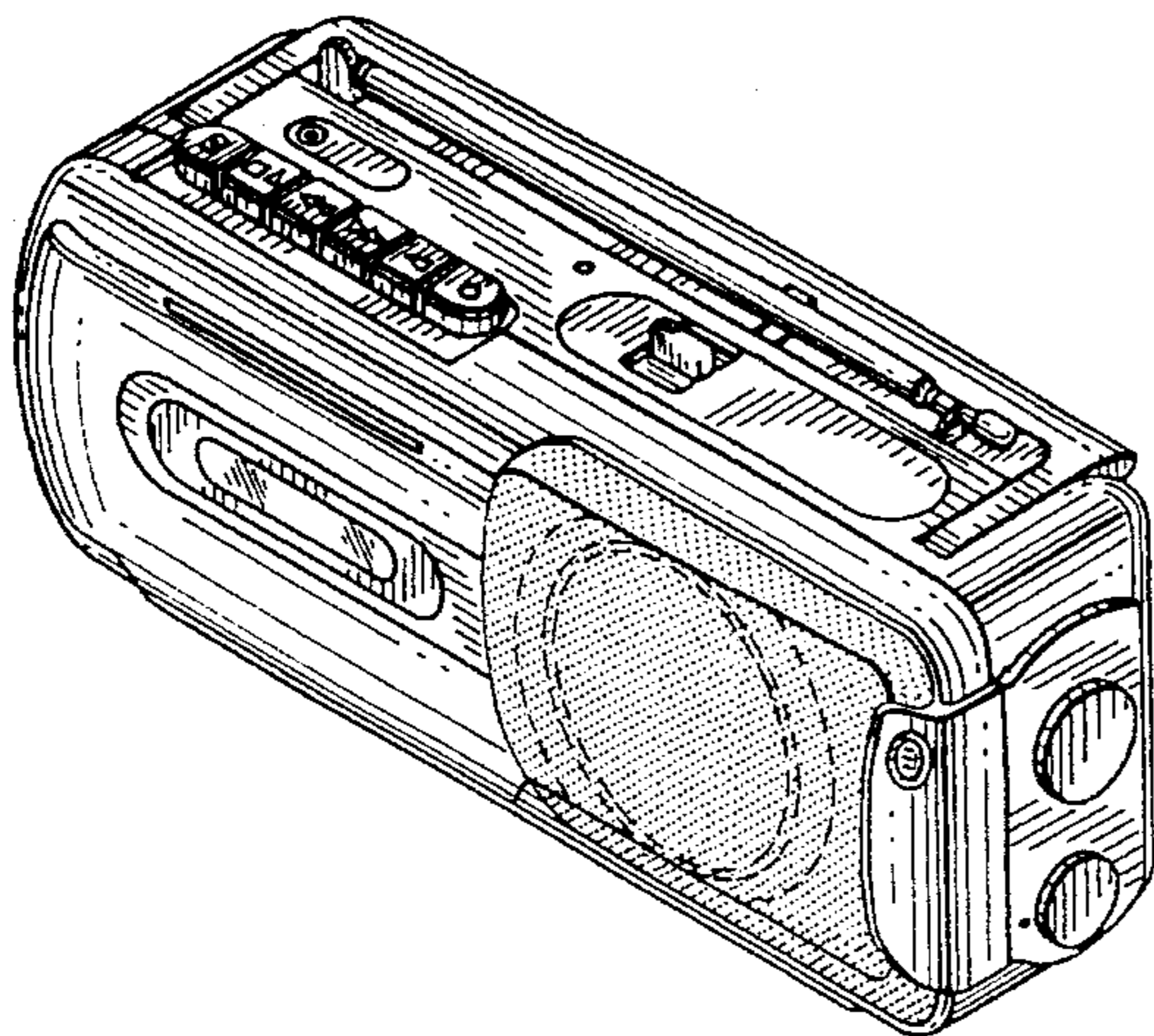


FIG. 1

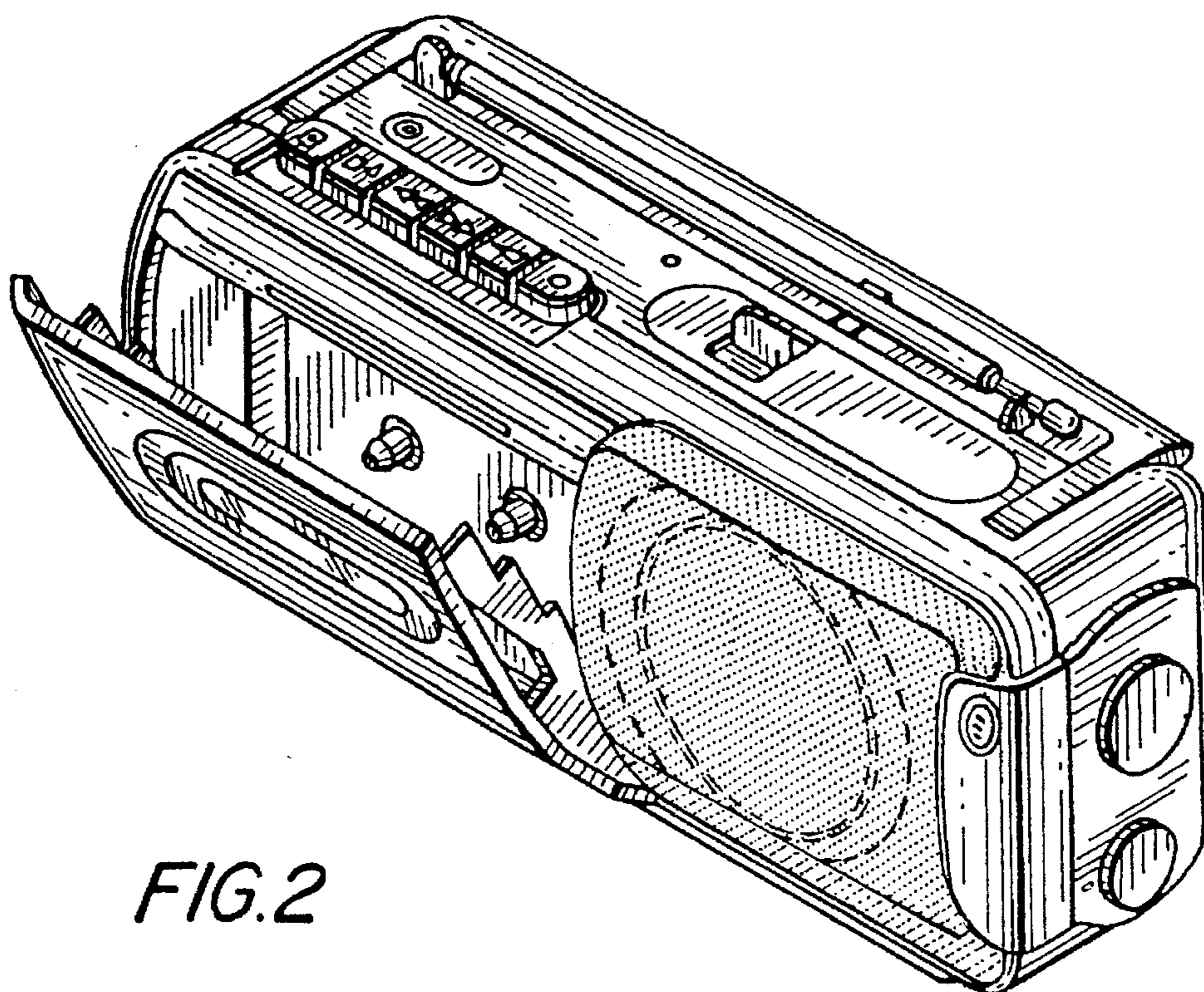
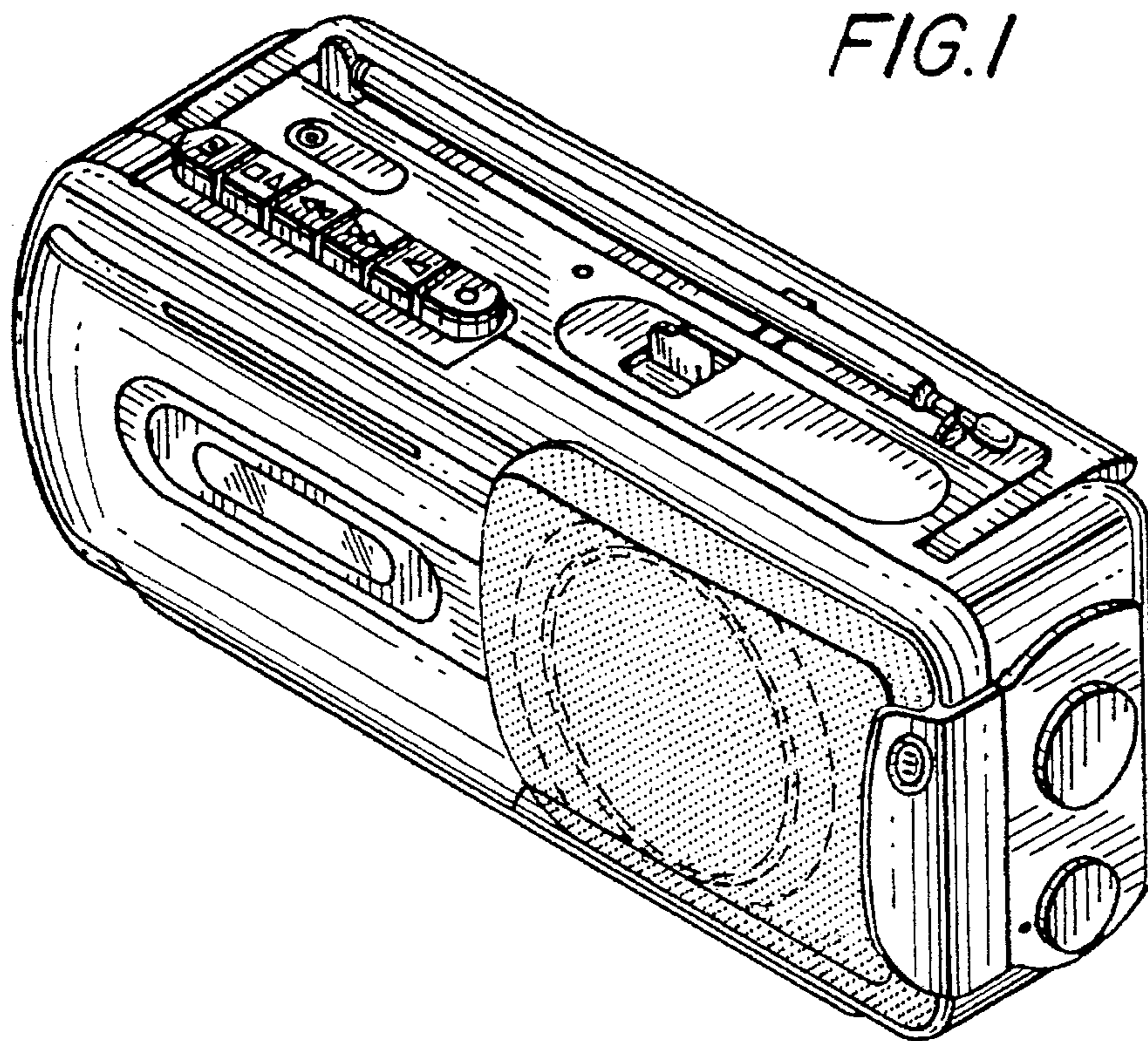


FIG. 2

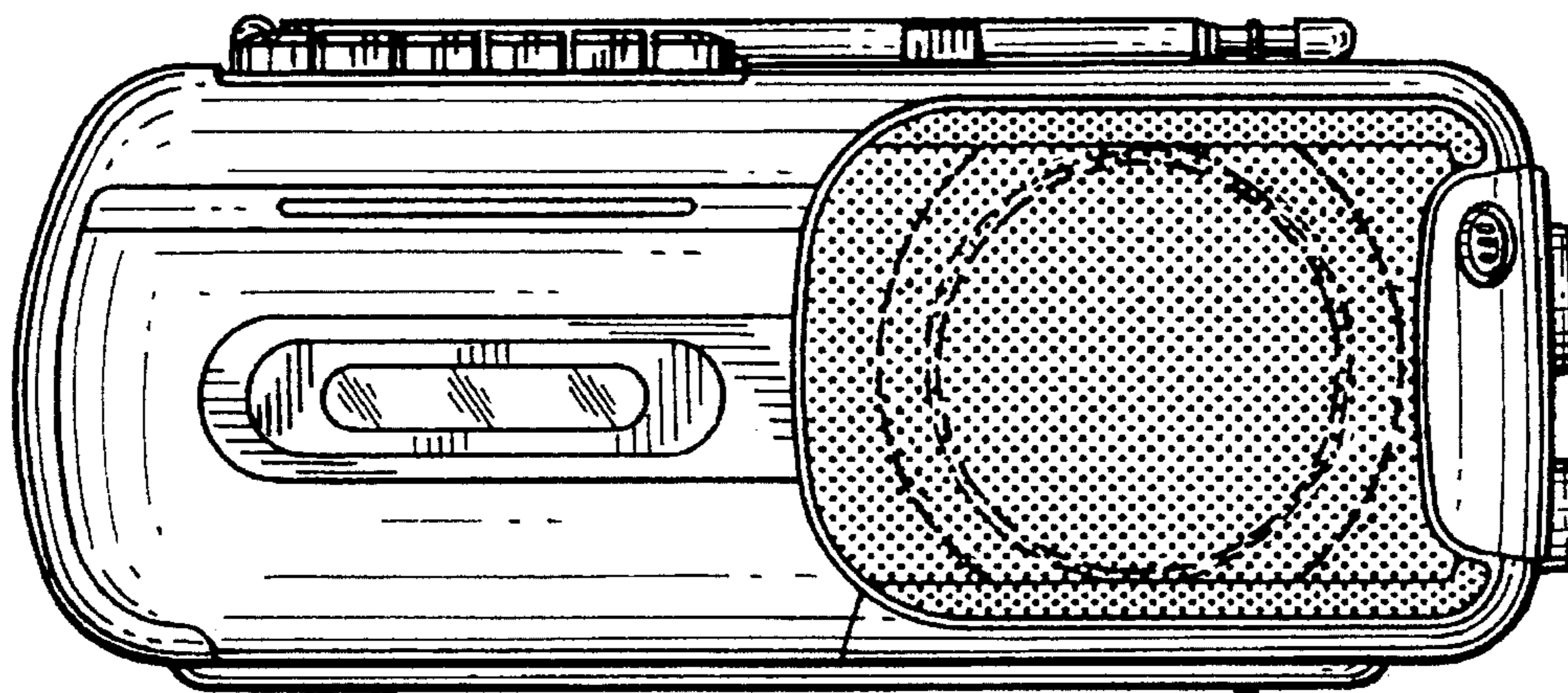


FIG. 3

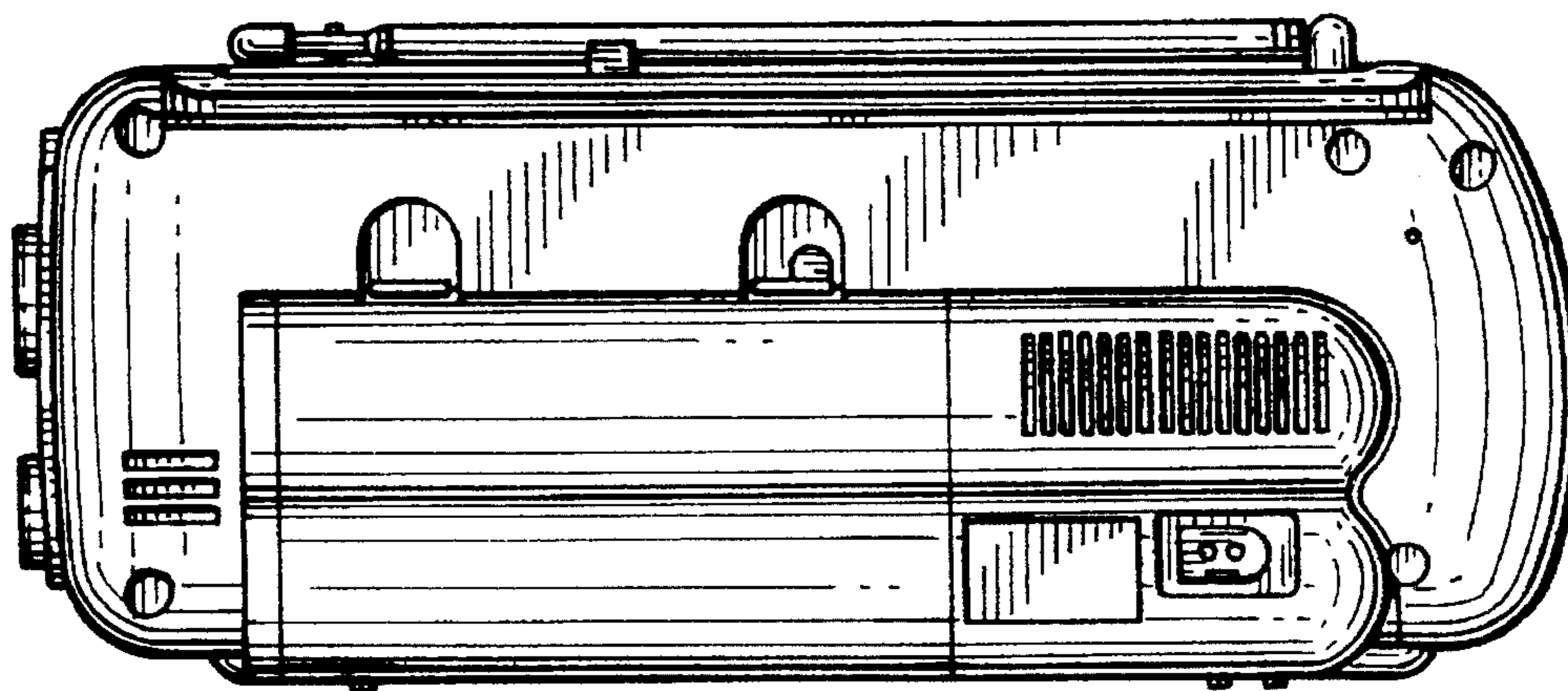


FIG. 4

FIG. 5

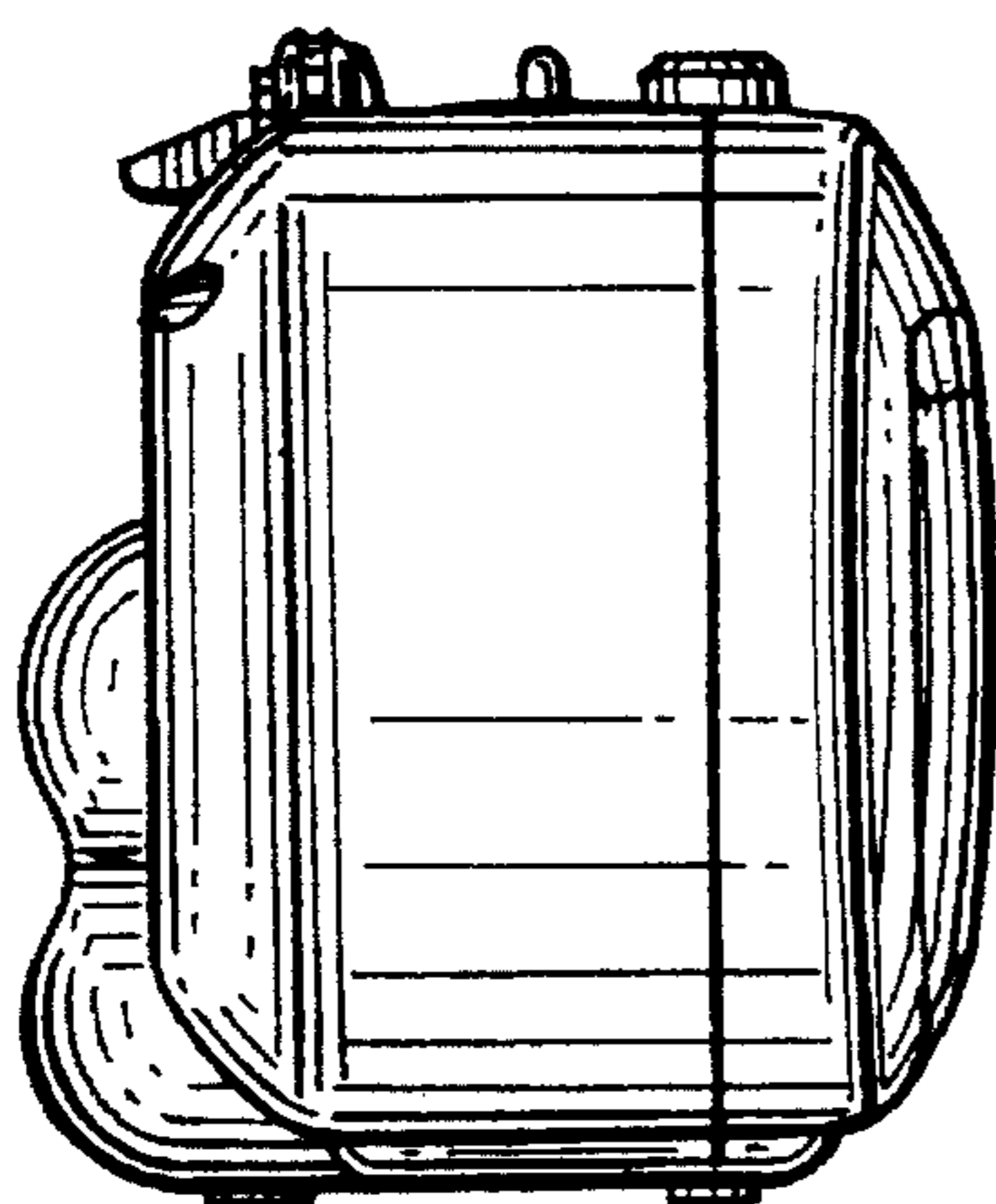
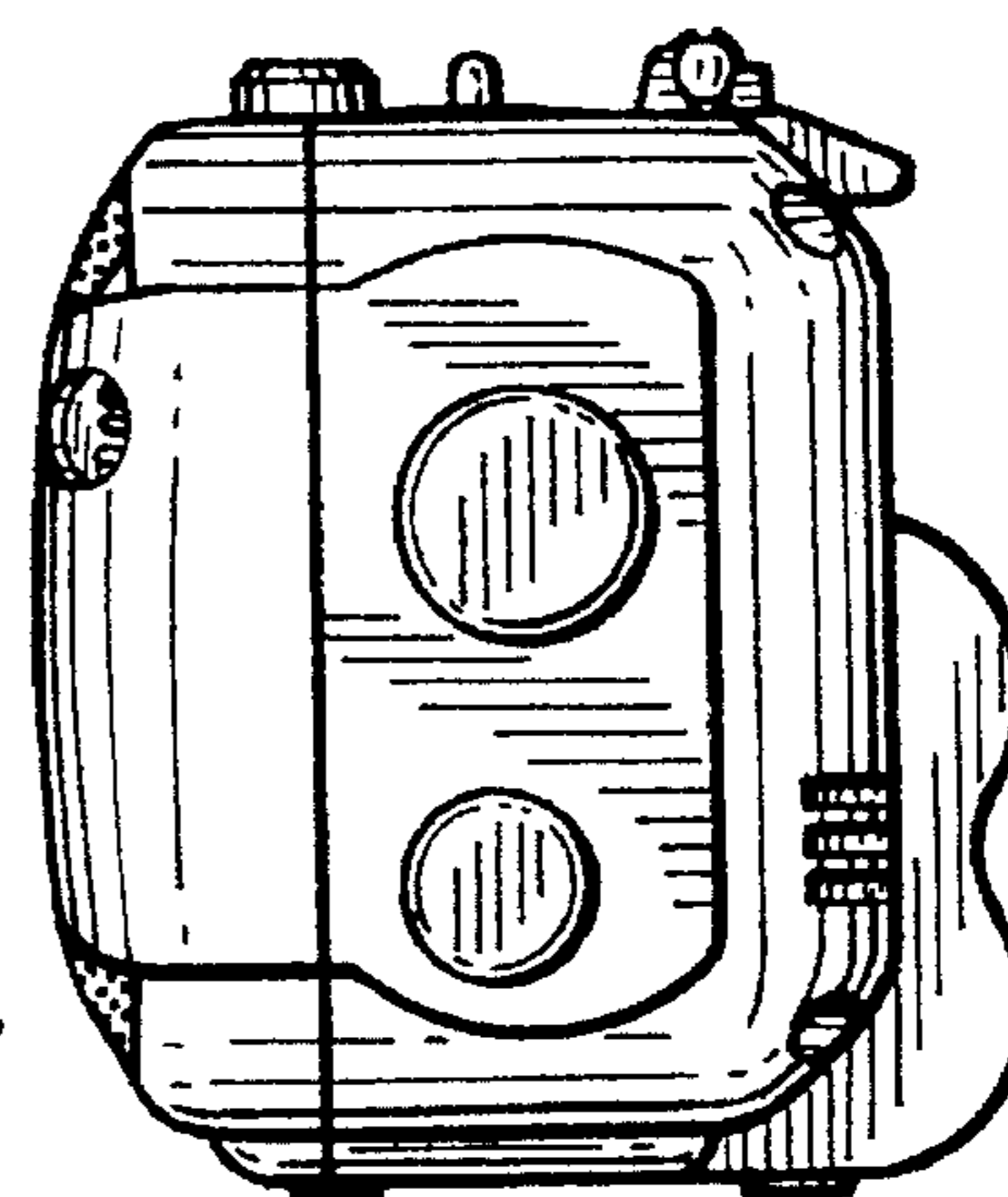


FIG. 6



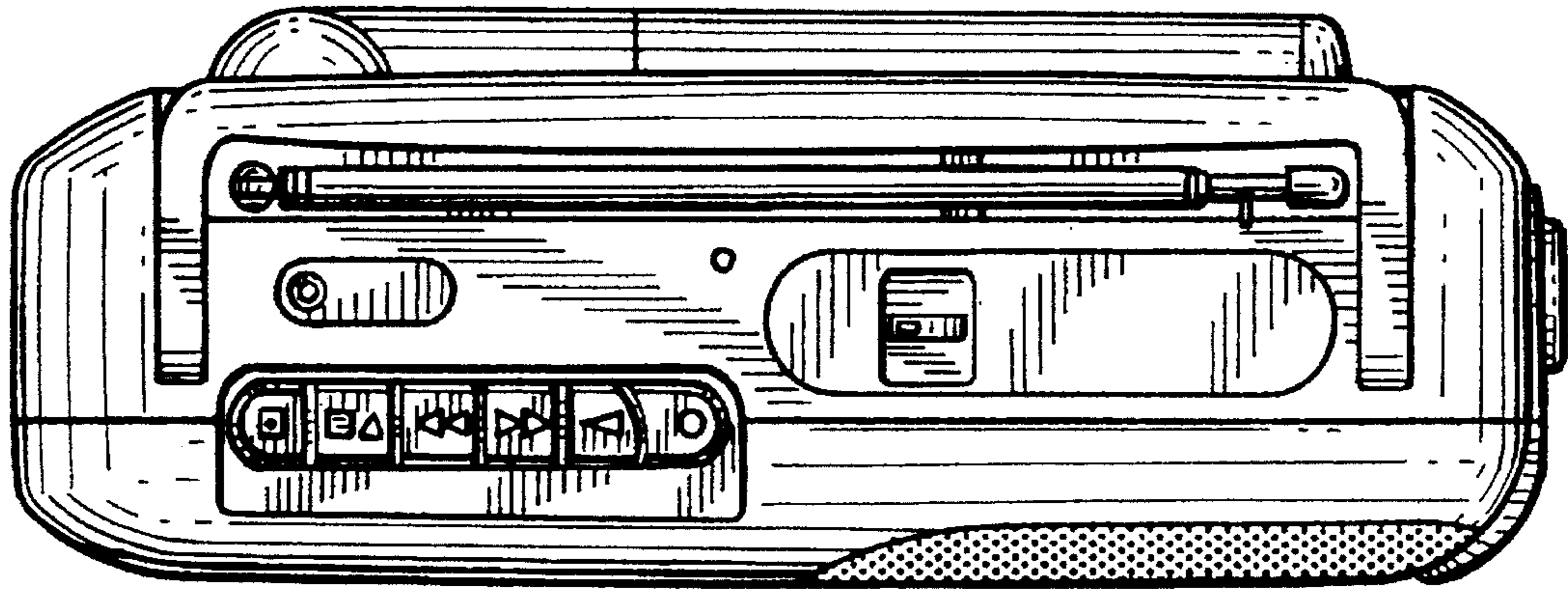


FIG. 7

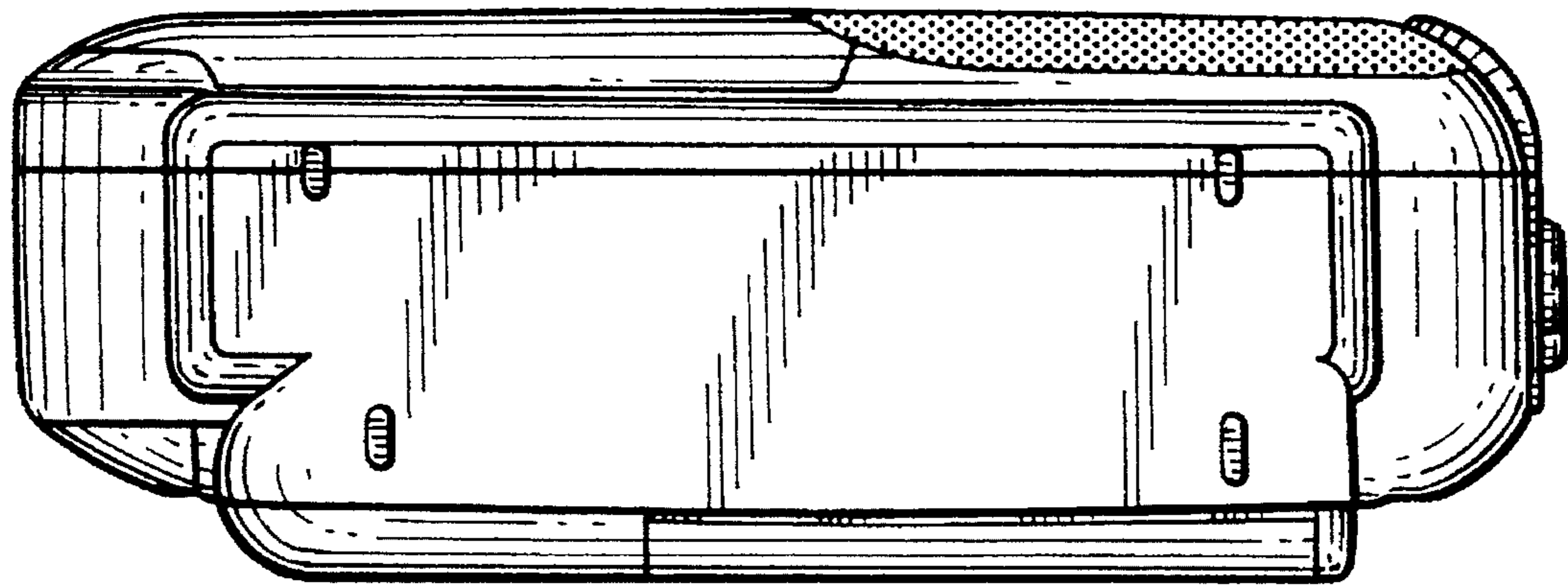


FIG. 8