



US00D367852S

United States Patent [19]

[11] Patent Number: **Des. 367,852**

Iino et al.

[45] Date of Patent: ****Mar. 12, 1996**

[54] **UNIT FOR EXTENDING THE FUNCTIONS OF ELECTRONIC COMPUTERS**

708621 7/1987 Japan .
740409 8/1988 Japan D14/107
791802 7/1990 Japan .

[75] Inventors: **Masaaki Iino**, Yokohama; **Tooru Okuyama**, Kanagawa, both of Japan

OTHER PUBLICATIONS

[73] Assignee: **Kabushiki Kaisha Toshiba**, Kanagawa, Japan

MACLIFE Magazine, Duo Mini Dock, Apple Computer, May 5, 1993.
Catalog, Duo Mini Dock, Apple Computer, Mar. 26, 1993.
Nippon Catalog, Artecon SB 3000XD, Dec. 7, 1994.
Magazine, Compaq LTE Lite/25, May 20, 1992.
Catalog (Travel Mate), Texas Instruments, Jun. 10, 1994 (date on which copy was obtained by applicant).

[**] Term: **14 Years**

Primary Examiner—Freda Nunn
Attorney, Agent, or Firm—Banner & Allegretti, Ltd.

[21] Appl. No.: **33,335**

[22] Filed: **Jan. 10, 1995**

[30] Foreign Application Priority Data

[57] CLAIM

Jul. 22, 1994 [JP] Japan 6-21801

[52] U.S. Cl. **D14/107**

[58] Field of Search D14/100, 107,
D14/114; D13/184, 199; 361/683-686;
364/708.1; 358/474

The ornamental design for a unit for extending the functions of electronic computers, as shown and described.

DESCRIPTION

[56] References Cited

U.S. PATENT DOCUMENTS

D. 310,998 10/1990 Lee et al. D14/107
D. 311,387 10/1990 Brenneman et al. D14/100
D. 313,404 1/1991 Myers D14/107
D. 314,183 1/1991 Wong D13/160
D. 331,573 12/1992 Iino D14/107
D. 331,920 12/1992 Iino D14/107
D. 335,490 5/1993 Mesfin et al. D14/107
D. 342,487 12/1993 Iino D14/107
5,270,841 12/1993 Watanabe 358/474 X

FIG. 1 is a top, front and right side perspective view of a unit for extending the functions of electronic computers showing my new design;

FIG. 2 is a front elevational view thereof;

FIG. 3 is a rear elevational view thereof;

FIG. 4 is a top plan view thereof;

FIG. 5 is a bottom plan view thereof;

FIG. 6 is a right side elevational view thereof, the left side being a mirror image; and,

FIG. 7 is a top, front and right side perspective view thereof showing the use of the apparatus.

The broken lines are shown for illustrative purposes only and form no part of the claimed design.

FOREIGN PATENT DOCUMENTS

M9108074 2/1992 Germany .

1 Claim, 3 Drawing Sheets

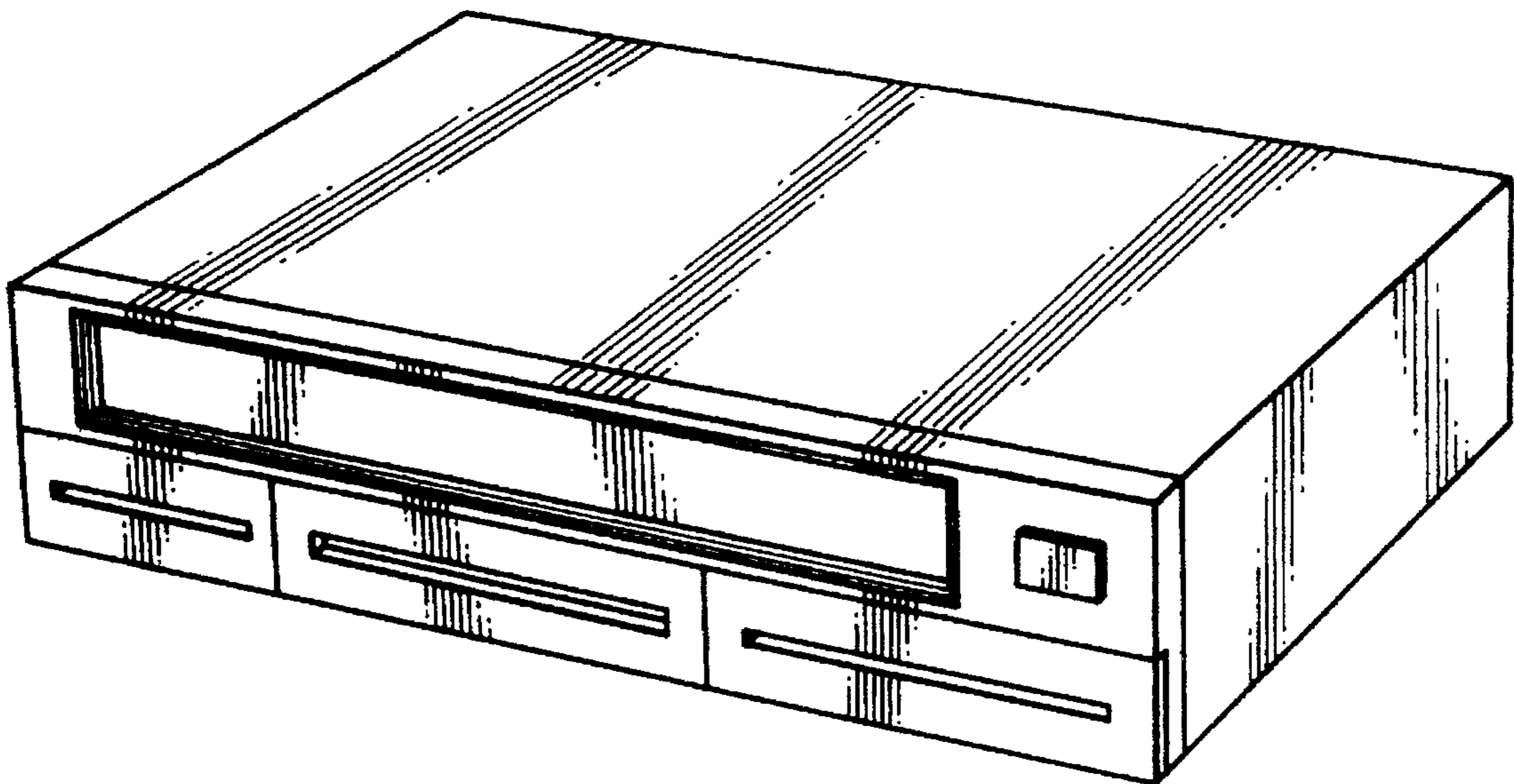


FIG. 1

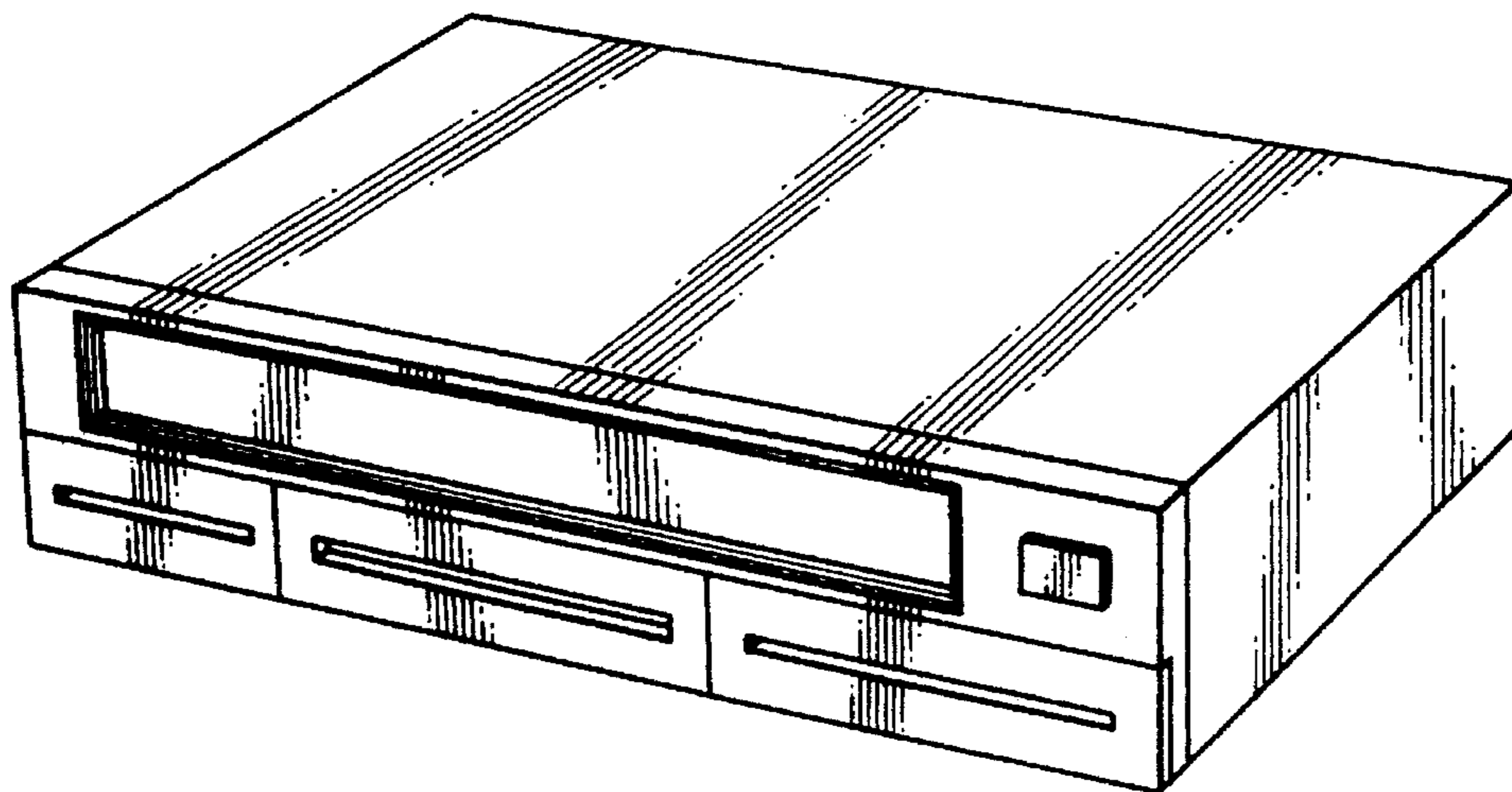


FIG. 2

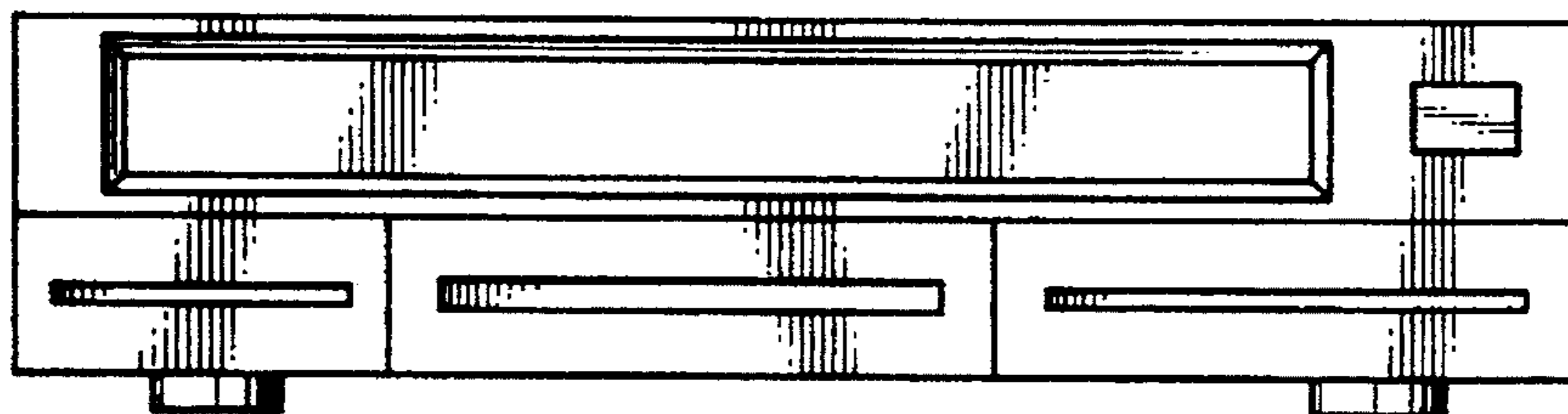


FIG. 3

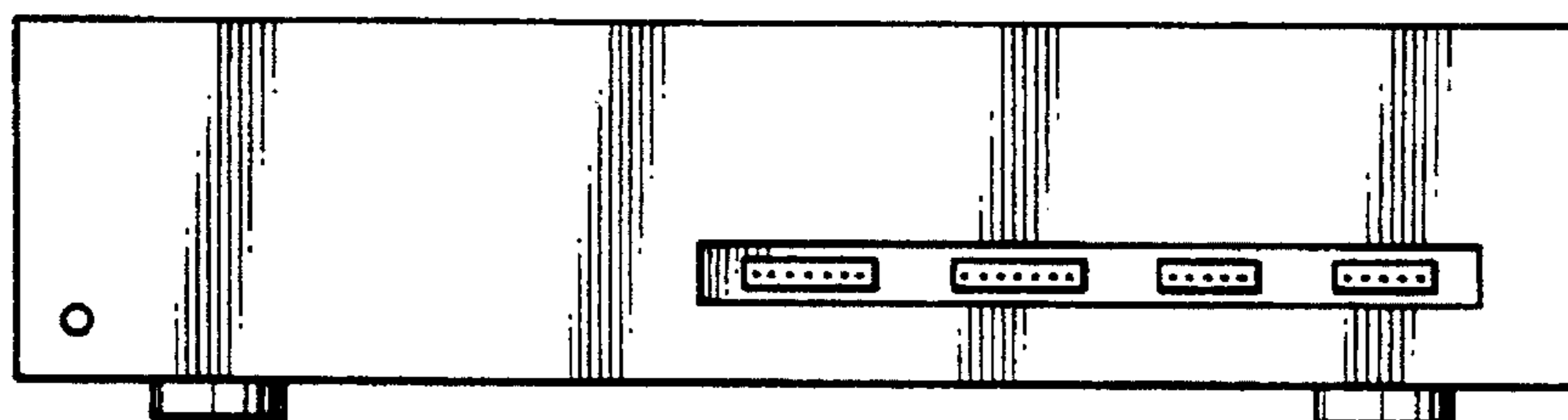


FIG. 4

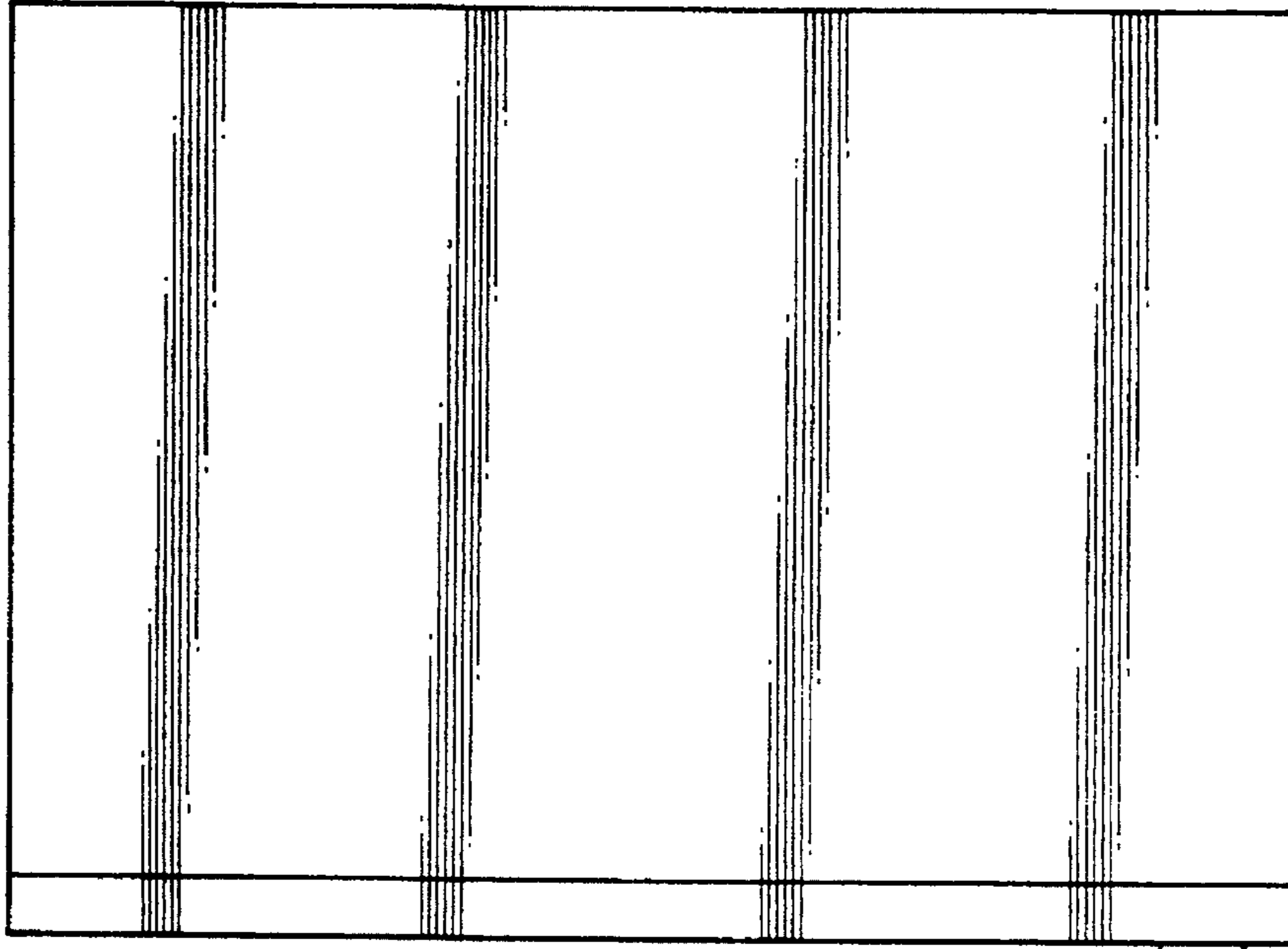


FIG. 5

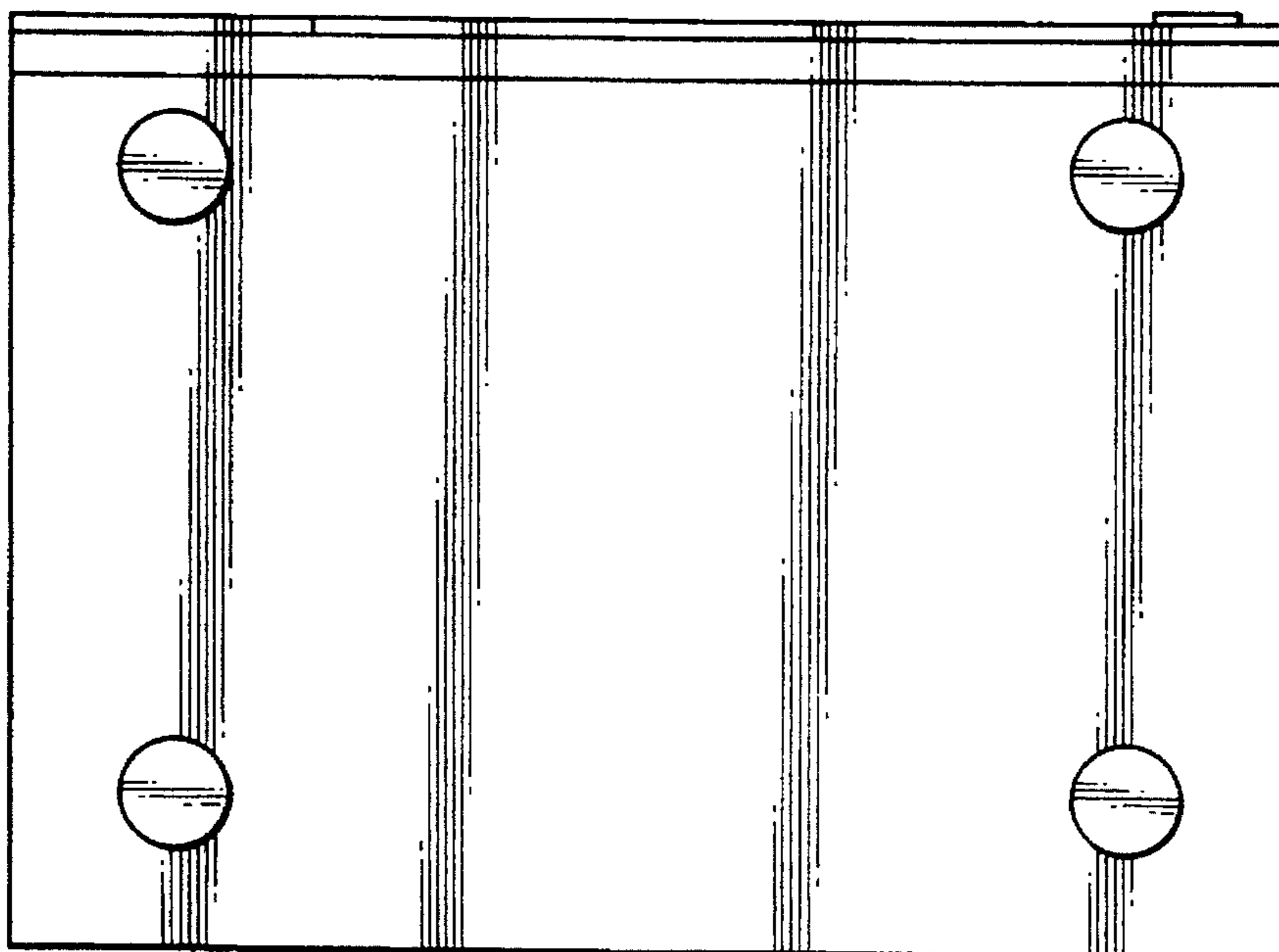


FIG.6

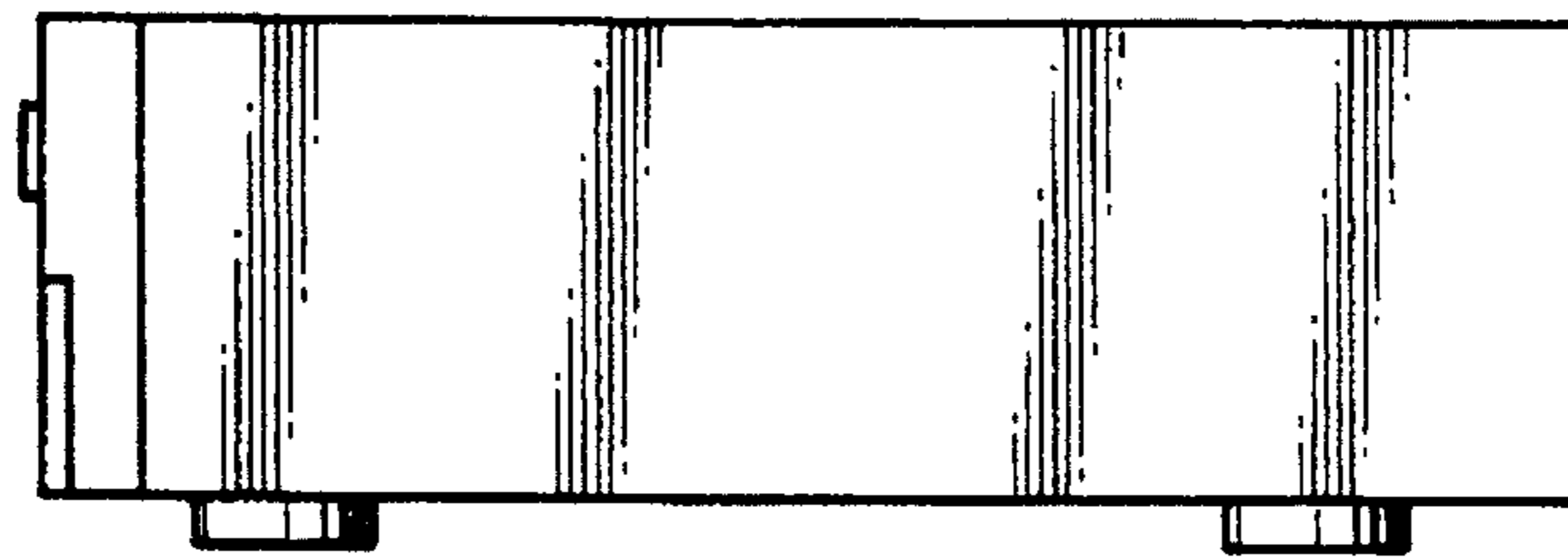


FIG.7

