



US00D367851S

United States Patent [19]

[11] Patent Number: **Des. 367,851**

Sekino

[45] Date of Patent: ****Mar. 12, 1996**

[54] COMPUTER

FOREIGN PATENT DOCUMENTS

[75] Inventor: **Hajime Sekino**, Tottori, Japan

872464 9/1993 Japan .

893029 3/1994 Japan .

[73] Assignee: **Tottori Sanyo Electric Co., Ltd.**,
Tottori, Japan

893035 3/1994 Japan .

[**] Term: **14 Years**

Primary Examiner—Freda Nunn

Attorney, Agent, or Firm—Darby & Darby

[21] Appl. No.: **36,608**

[57] CLAIM

[22] Filed: **Jan. 30, 1995**

The ornamental design for a computer, as shown and described.

[30] Foreign Application Priority Data

DESCRIPTION

Aug. 25, 1994 [JP] Japan 6-25796

[52] U.S. Cl. **D14/106**

[58] Field of Search D14/100, 101,
D14/106, 113, 115, 124-127; D18/1, 7;
235/145 A, 145 R; 341/22, 23; 345/104,
156, 168, 173, 901-905, 87; 361/679-686;
364/708.1, 709.04, 709.12; 400/486, 489

FIG. 1 is a top, front, and right side perspective view of our new design for a computer with the lid open;

FIG. 2 is a top, front, and right side perspective view of the new design for a computer with the lid closed;

FIG. 3 is a front elevation view thereof with the lid open;

FIG. 4 is a rear elevation view thereof with the lid open;

FIG. 5 is a top plan view thereof with the lid open;

FIG. 6 is a bottom plan view thereof with the lid open;

FIG. 7 is a left side elevation view thereof with the lid open; and,

FIG. 8 is a right side elevation view thereof with the lid open.

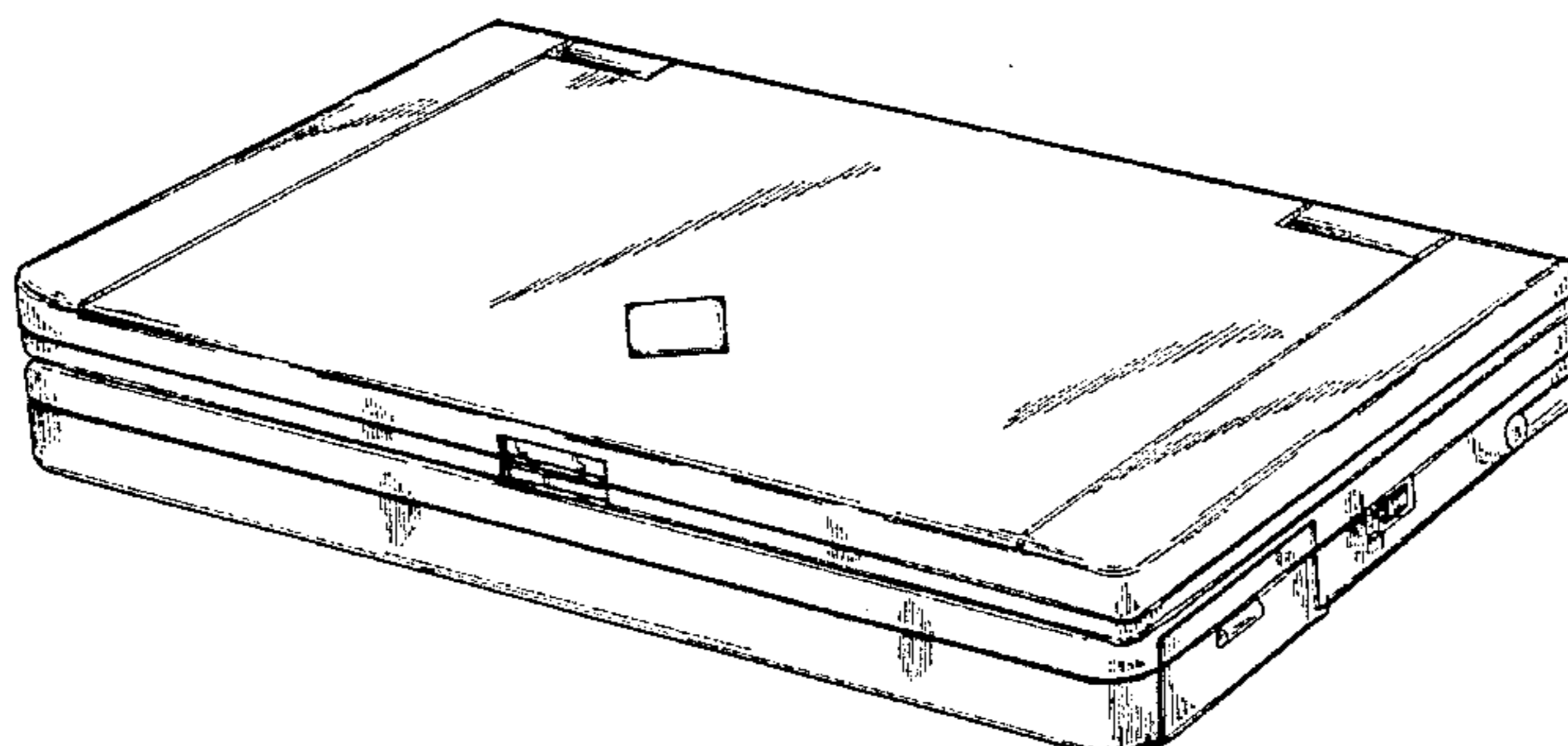
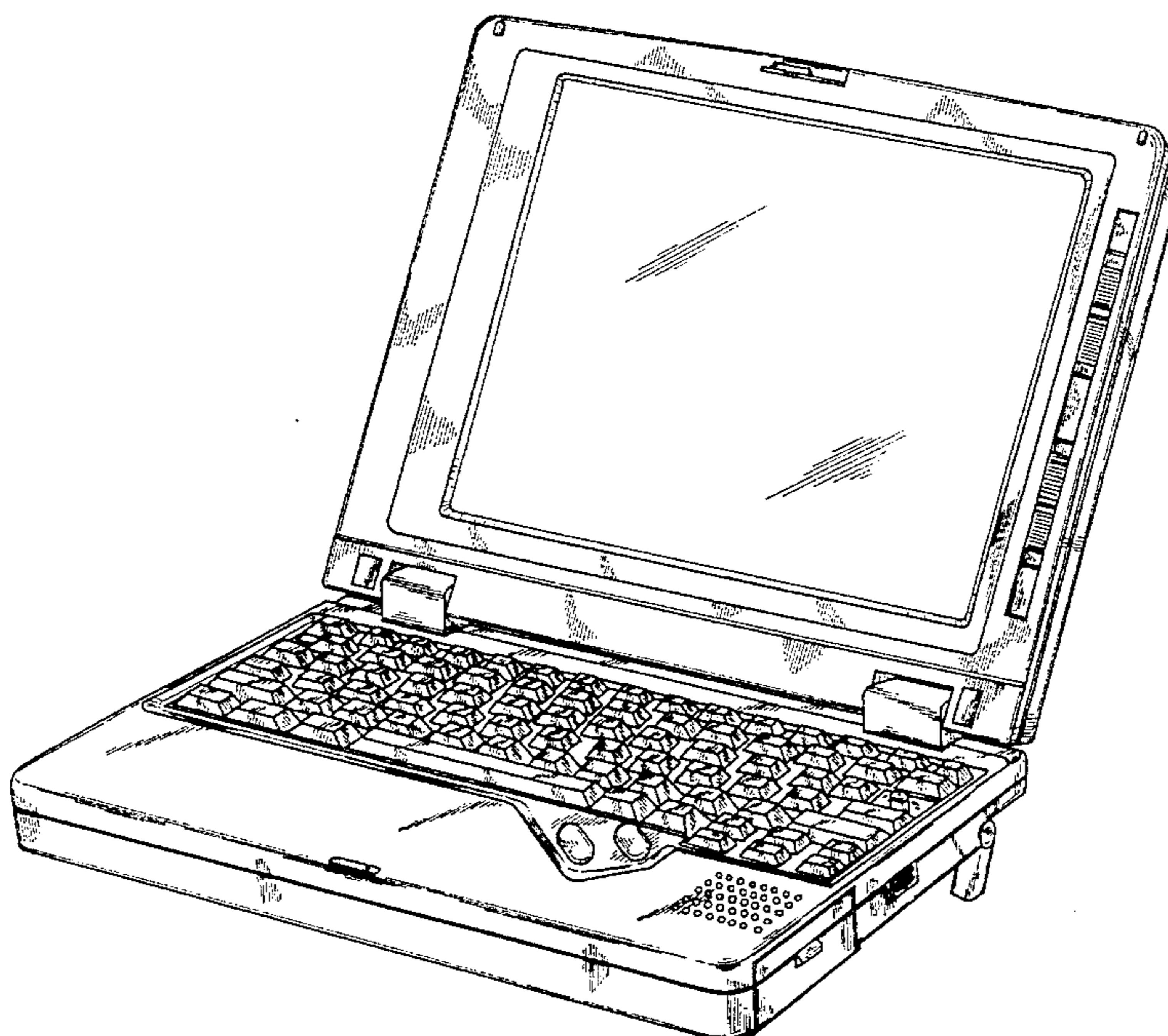
[56] References Cited

U.S. PATENT DOCUMENTS

D. 359,032 6/1995 Wang D14/106

D. 360,622 7/1995 Shin et al. D14/106

1 Claim, 6 Drawing Sheets



BEST AVAILABLE COPY

FIG. 1

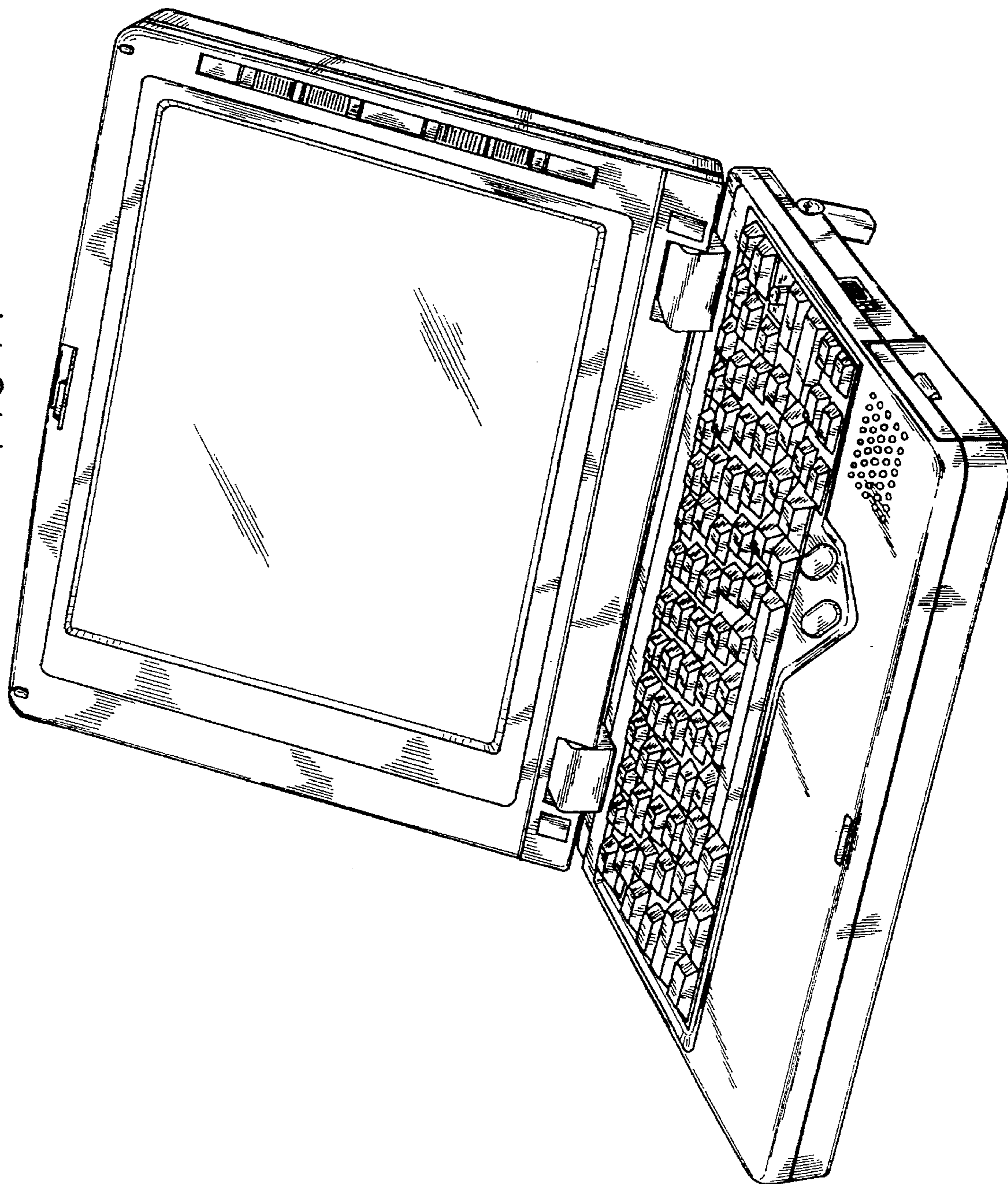


FIG. 2

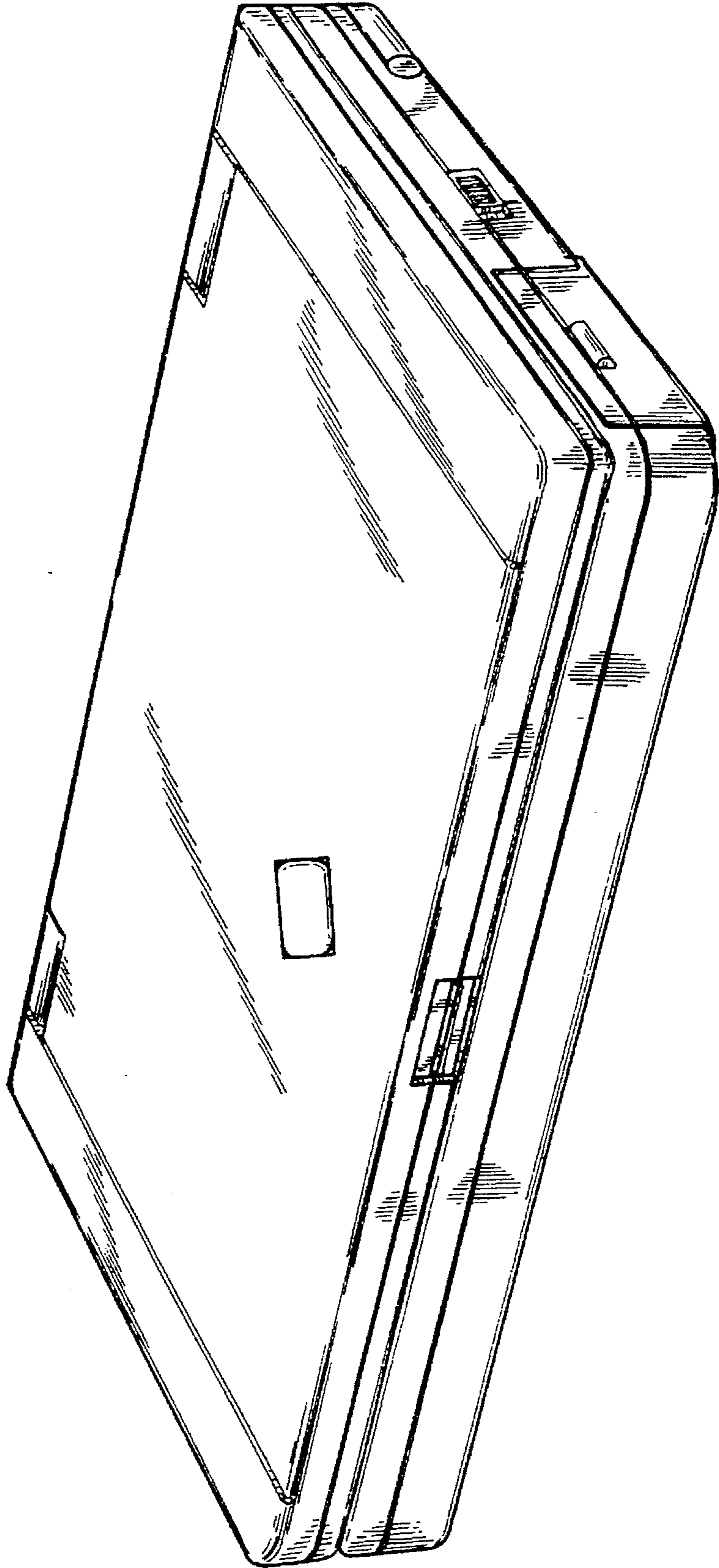


FIG. 3

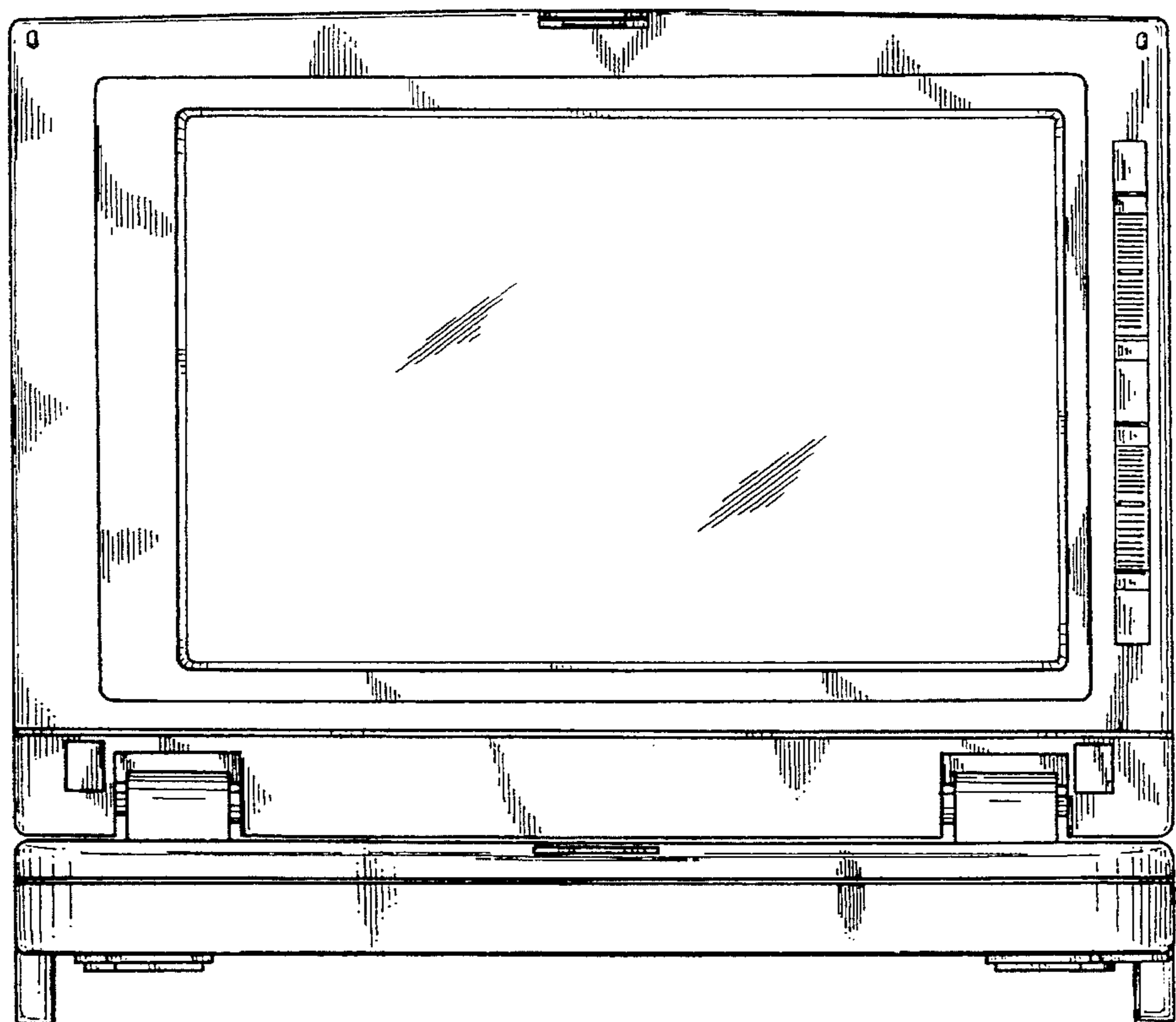


FIG. 4

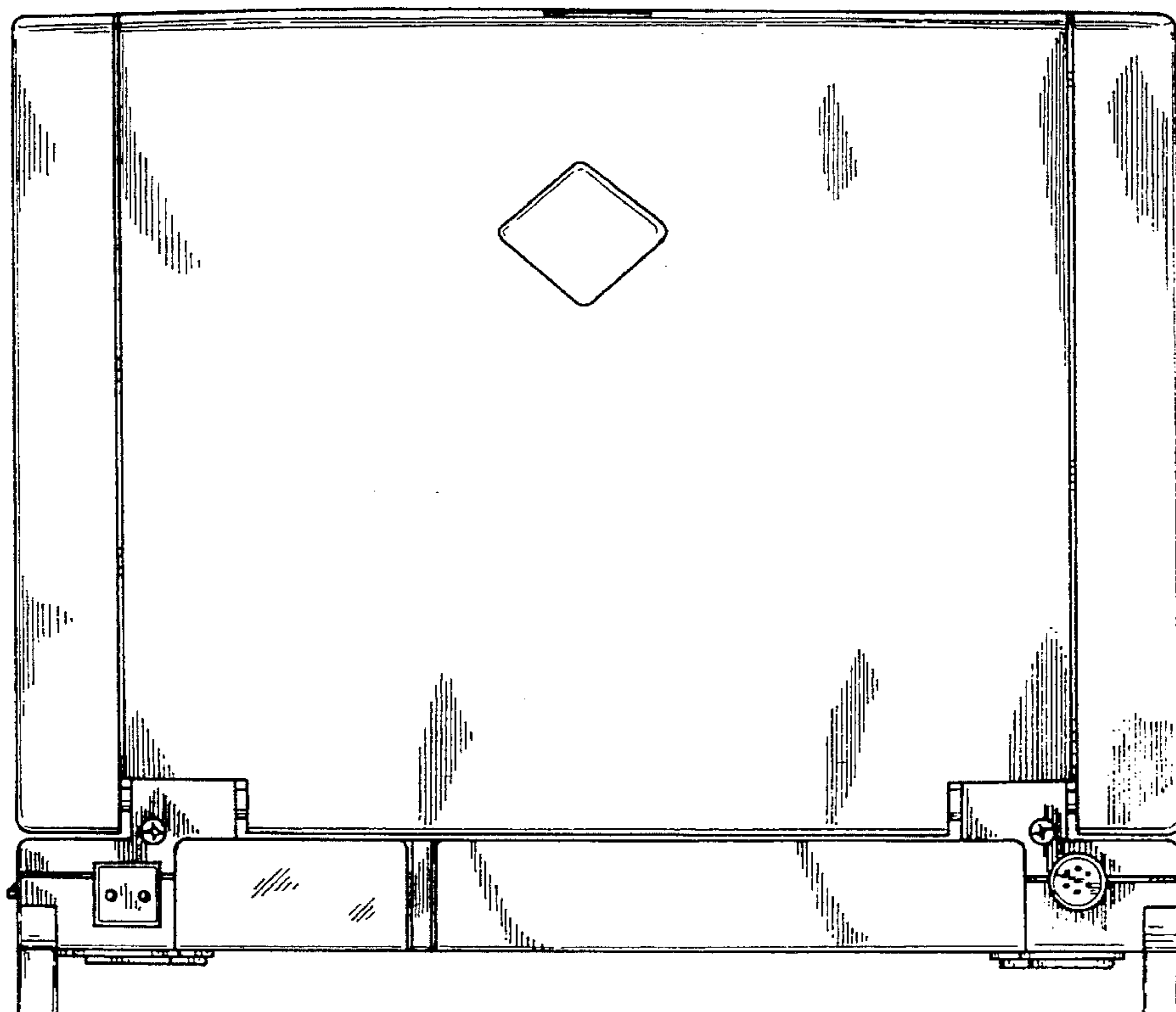


FIG. 5

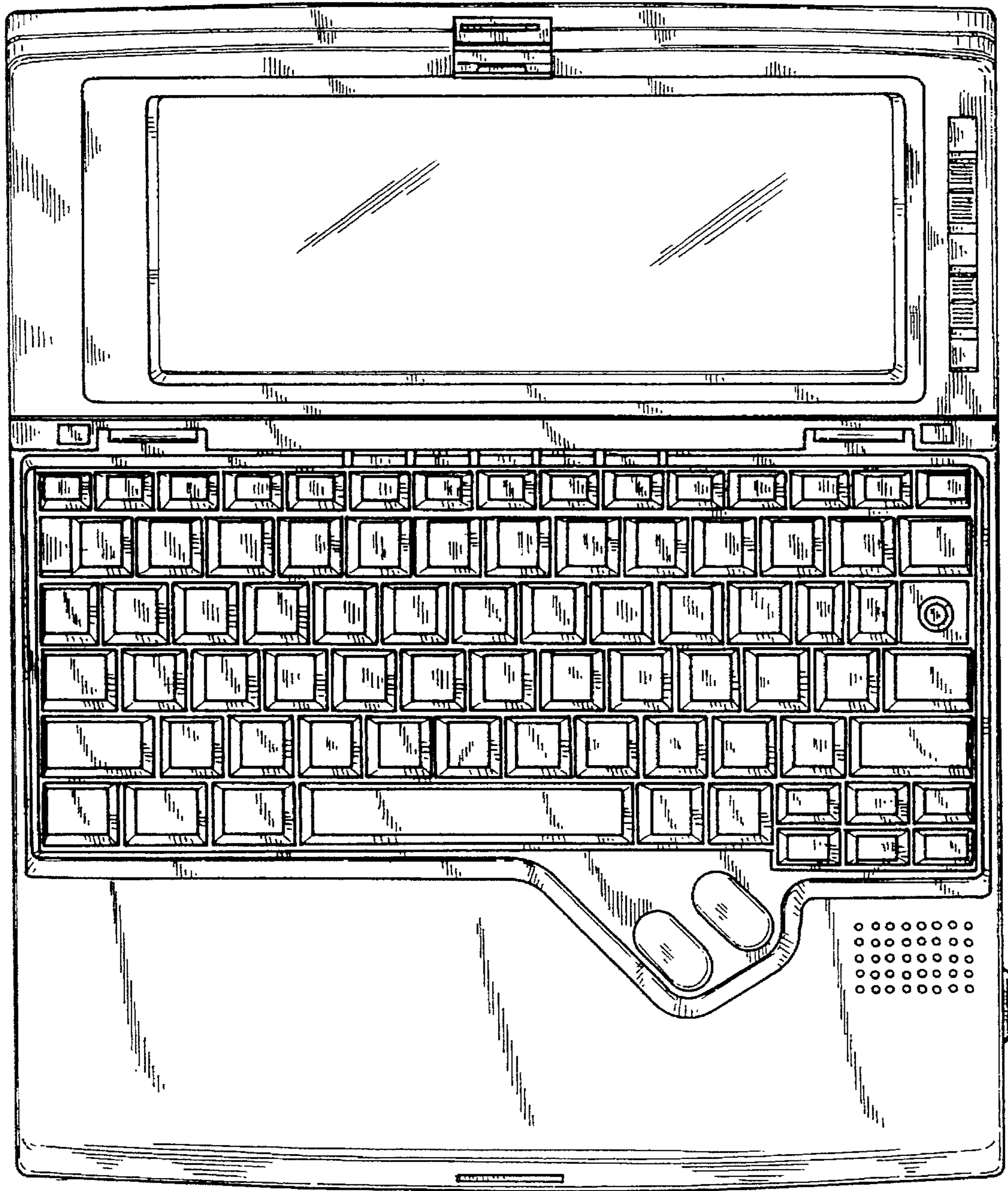


FIG. 6

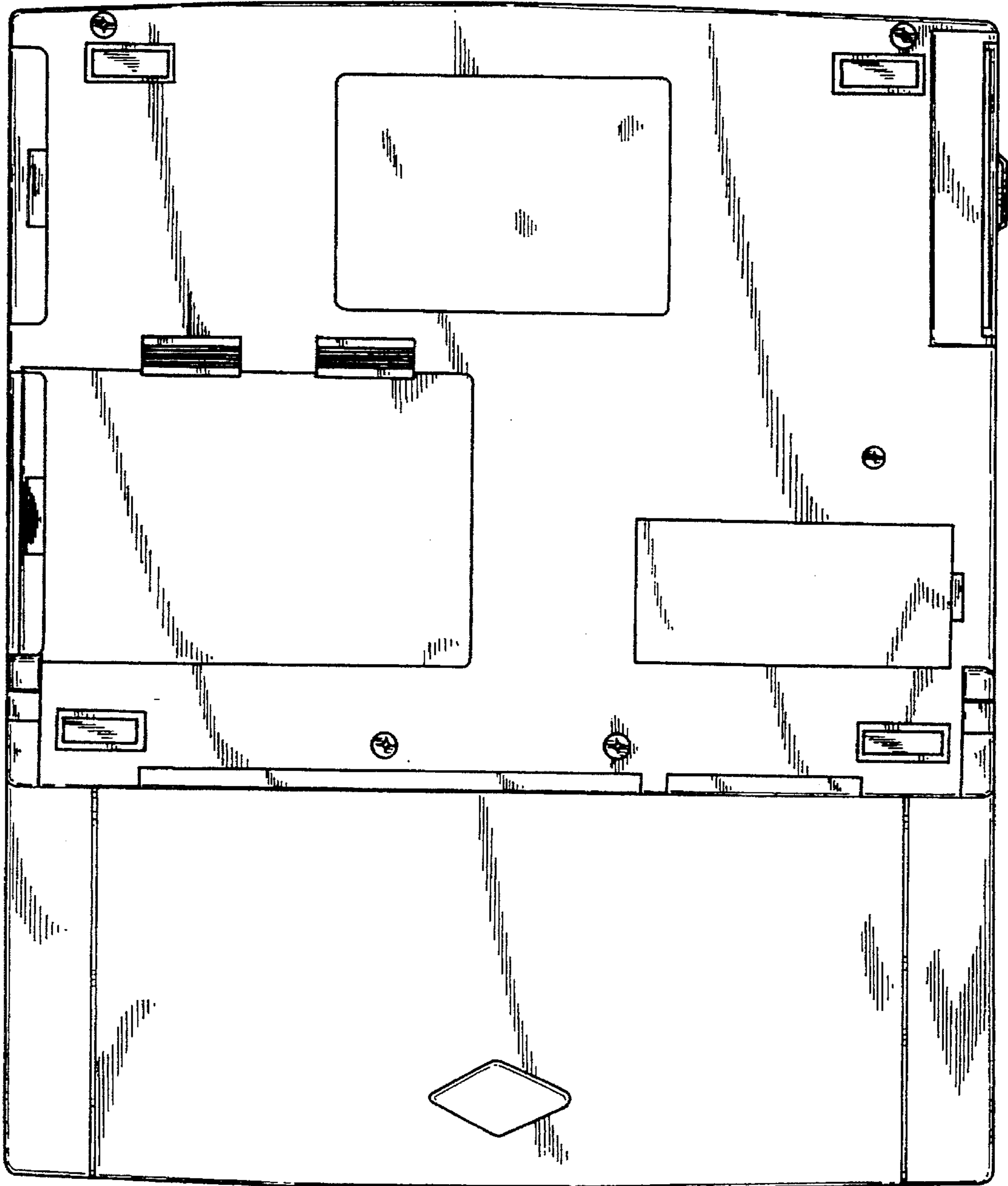


FIG . 7

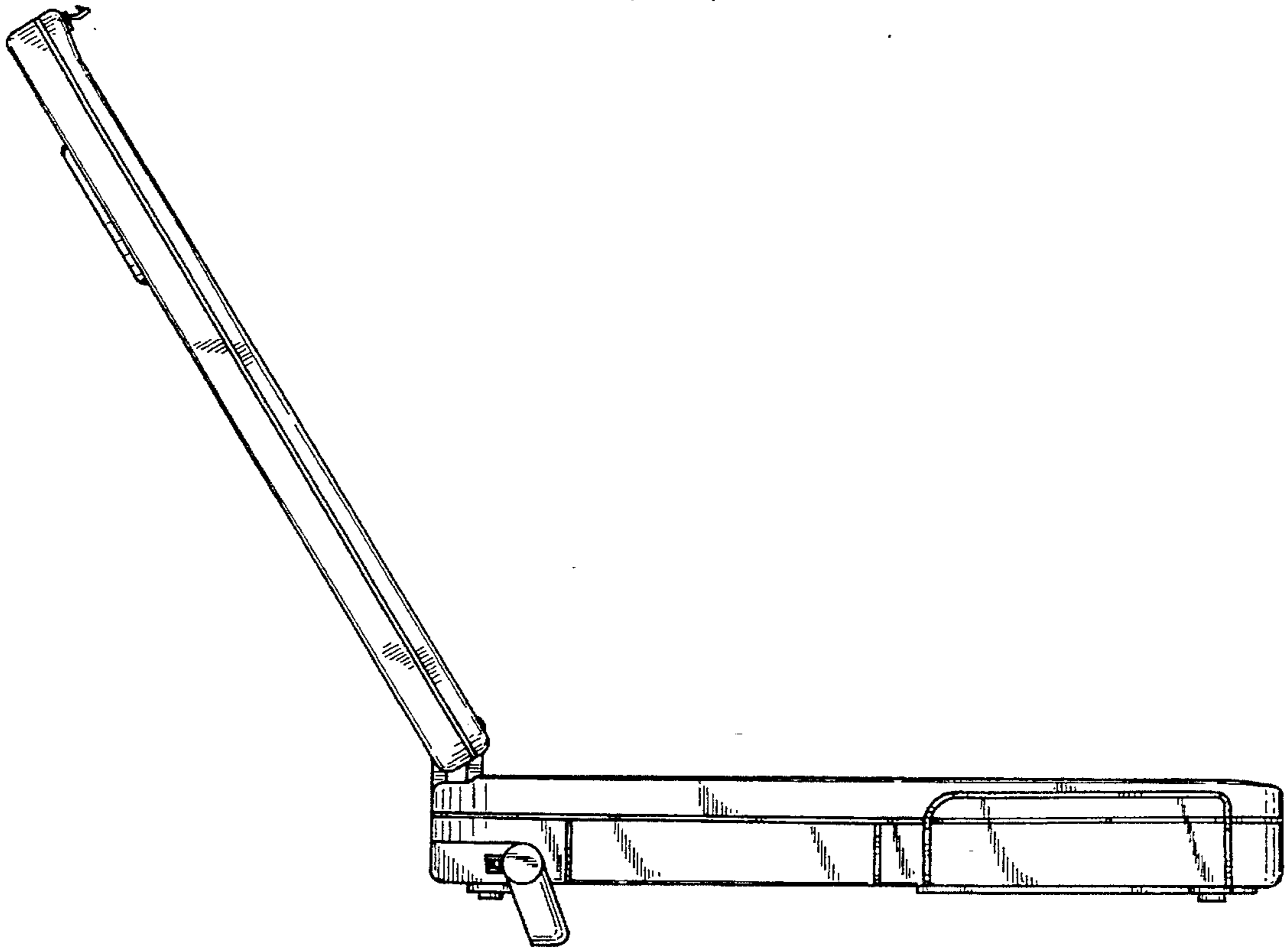


FIG . 8

