



US00D367850S

United States Patent [19]
Esslinger

[11] **Patent Number: Des. 367,850**

[45] **Date of Patent: **Mar. 12, 1996**

[54] **DESKTOP COMPUTER**

[75] Inventor: **Hartmut H. Esslinger**, Los Gatos, Calif.

[73] Assignee: **Packard Bell Electronics, Inc.**, Westlake Village, Calif.

[**] Term: **14 Years**

[21] Appl. No.: **39,842**

[22] Filed: **Jun. 6, 1995**

D. 344,070 2/1994 Gluskoter et al. D14/100
D. 346,588 5/1994 Oh et al. D14/100
D. 348,253 6/1994 Gluskoter D14/100

OTHER PUBLICATIONS

Business Systems Electrical Communication—vol. 61 No. 3, 1987, p. 333 PS 300 personal computer (above left).

Primary Examiner—Freda Nunn
Attorney, Agent, or Firm—Wilson, Sonsimi, Goodrich & Rosati

Related U.S. Application Data

[62] Division of Ser. No. 23,815, Jun. 1, 1994.

[30] **Foreign Application Priority Data**

Jan. 5, 1994 [DE] Germany M 9400004.2

[52] **U.S. Cl.** **D14/100**

[58] **Field of Search** D14/100, 102, D14/107-109; D13/162, 184, 199; 312/208.1, 223.2, 223.3, 194; 360/97.01, 97.04, 98.01, 99.01, 99.12; 361/600, 622, 724-728, 694

[57] **CLAIM**

The ornamental design for a desktop computer, as shown and described.

DESCRIPTION

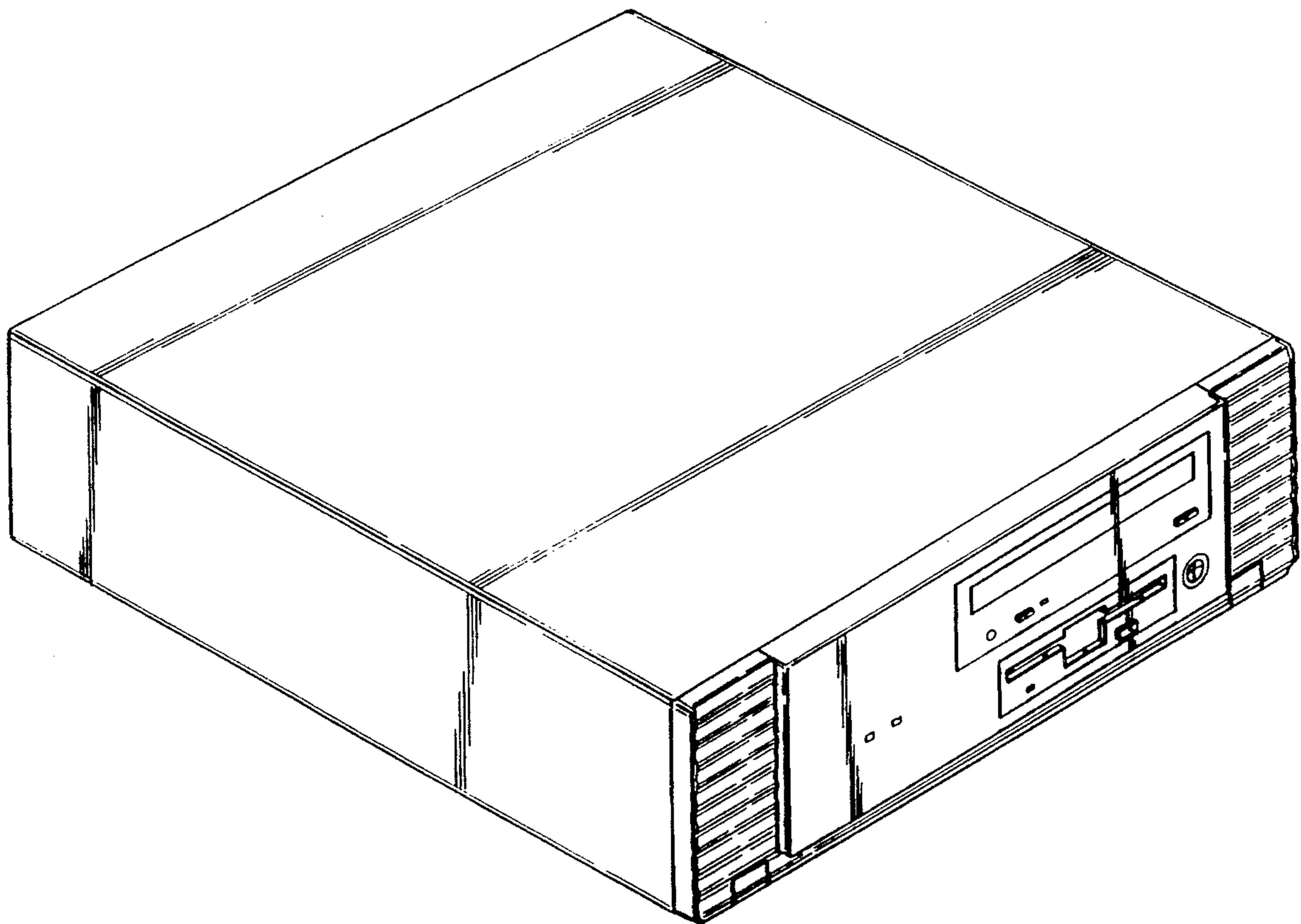
FIG. 1 is a top front left side perspective view of a desktop computer showing my new design;
FIG. 2 is a front elevation thereof;
FIGS. 3 and 4 are respectively right and left side elevations thereof;
FIG. 5 is a rear elevation thereof;
FIG. 6 is a top plan view thereof; and,
FIG. 7 is a bottom plan view thereof.

[56] **References Cited**

U.S. PATENT DOCUMENTS

D. 338,451 8/1993 Toedter D14/100

1 Claim, 7 Drawing Sheets



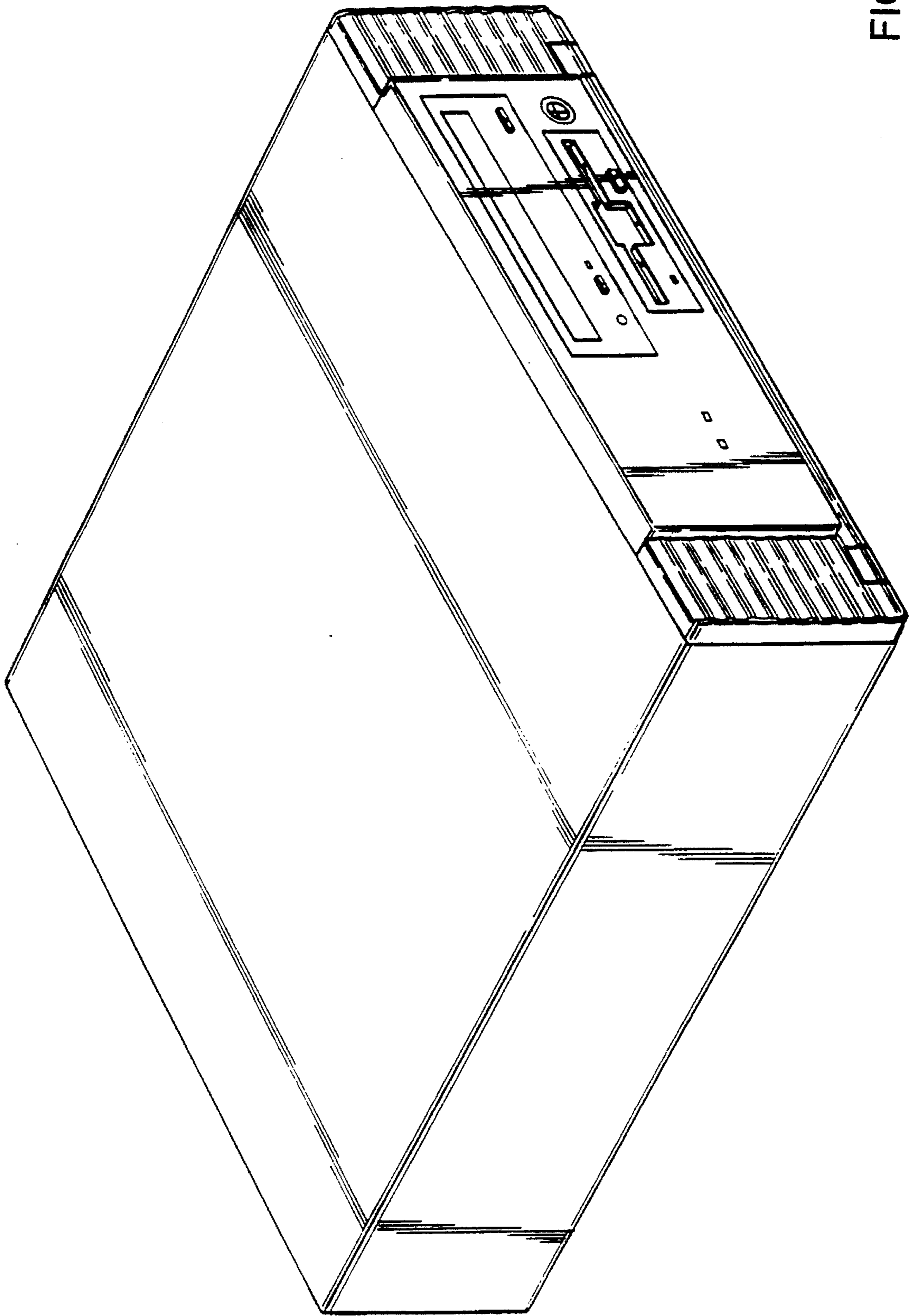


FIG. 1

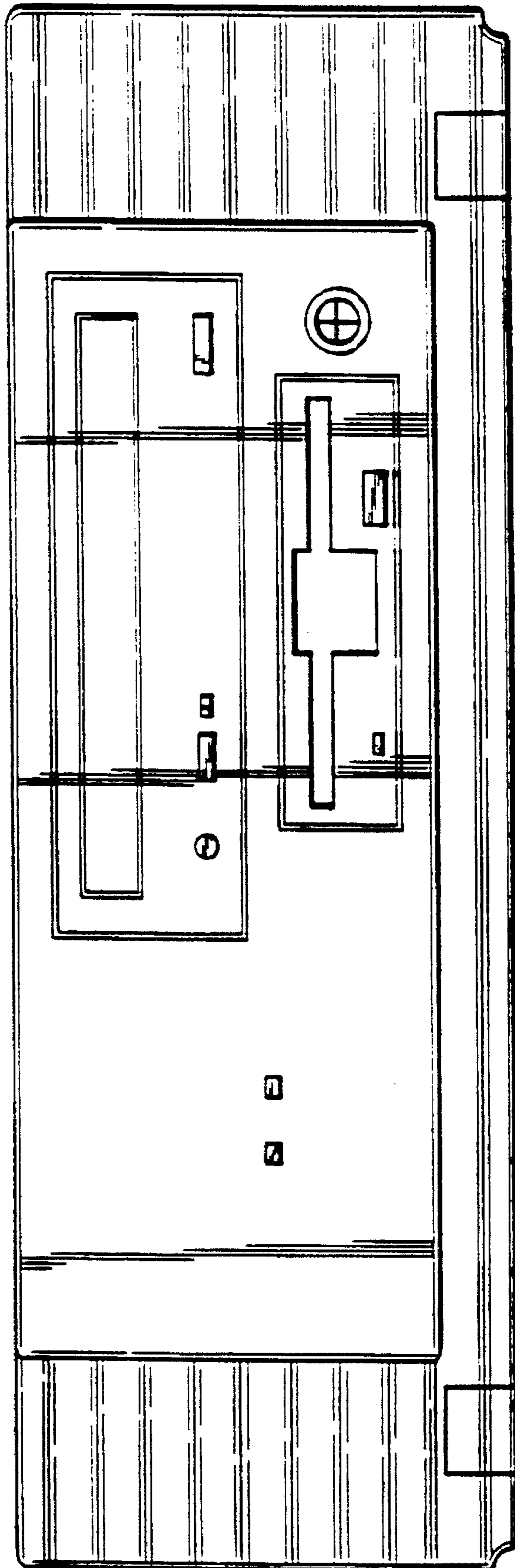


FIG. 2

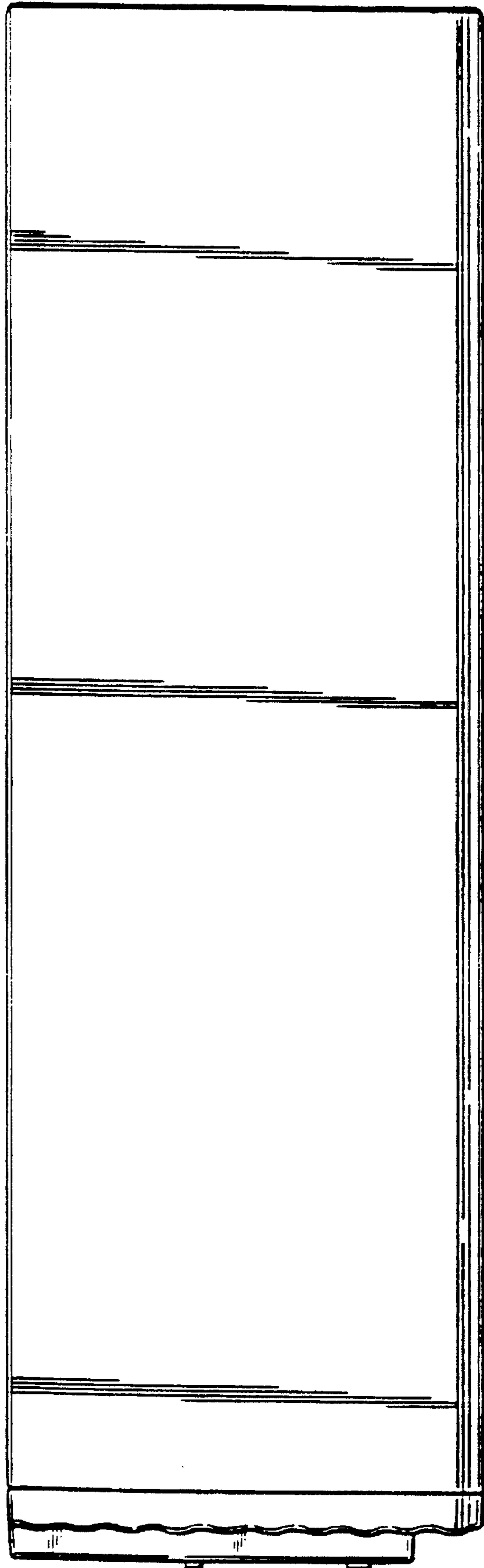


FIG. 3

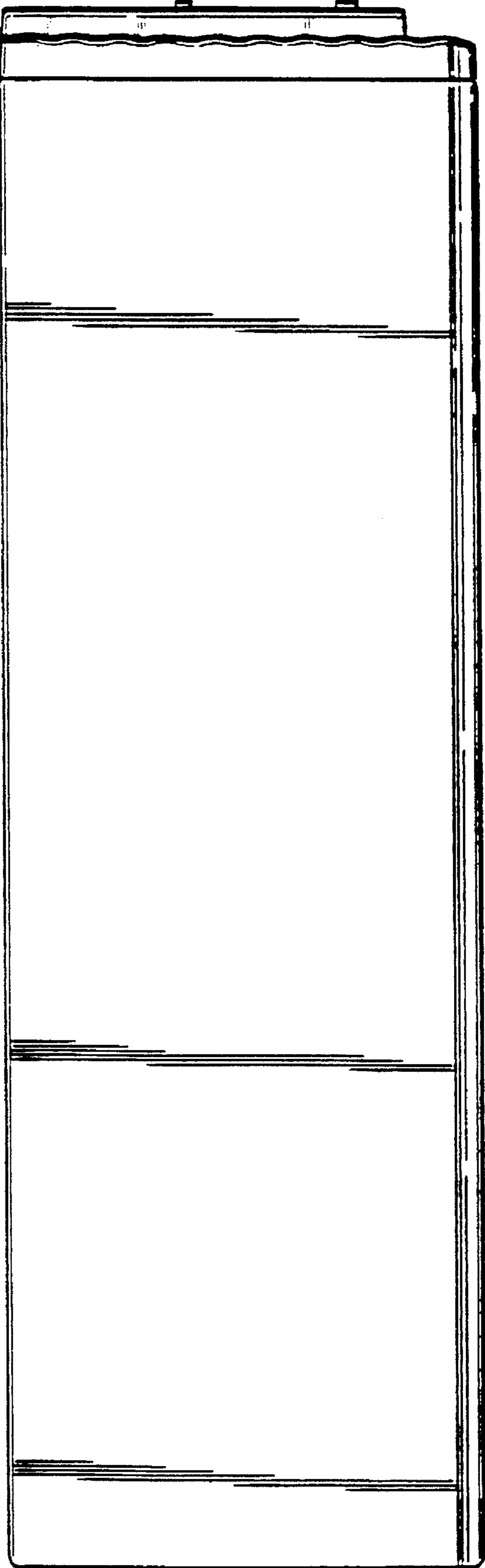


FIG. 4

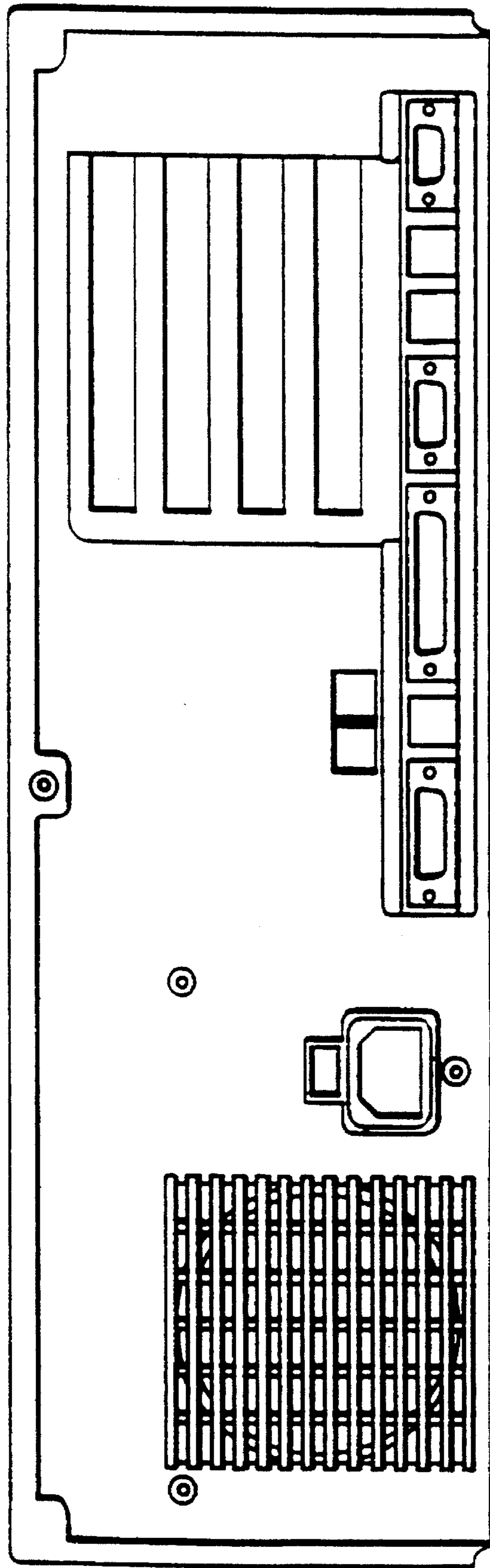


FIG. 5

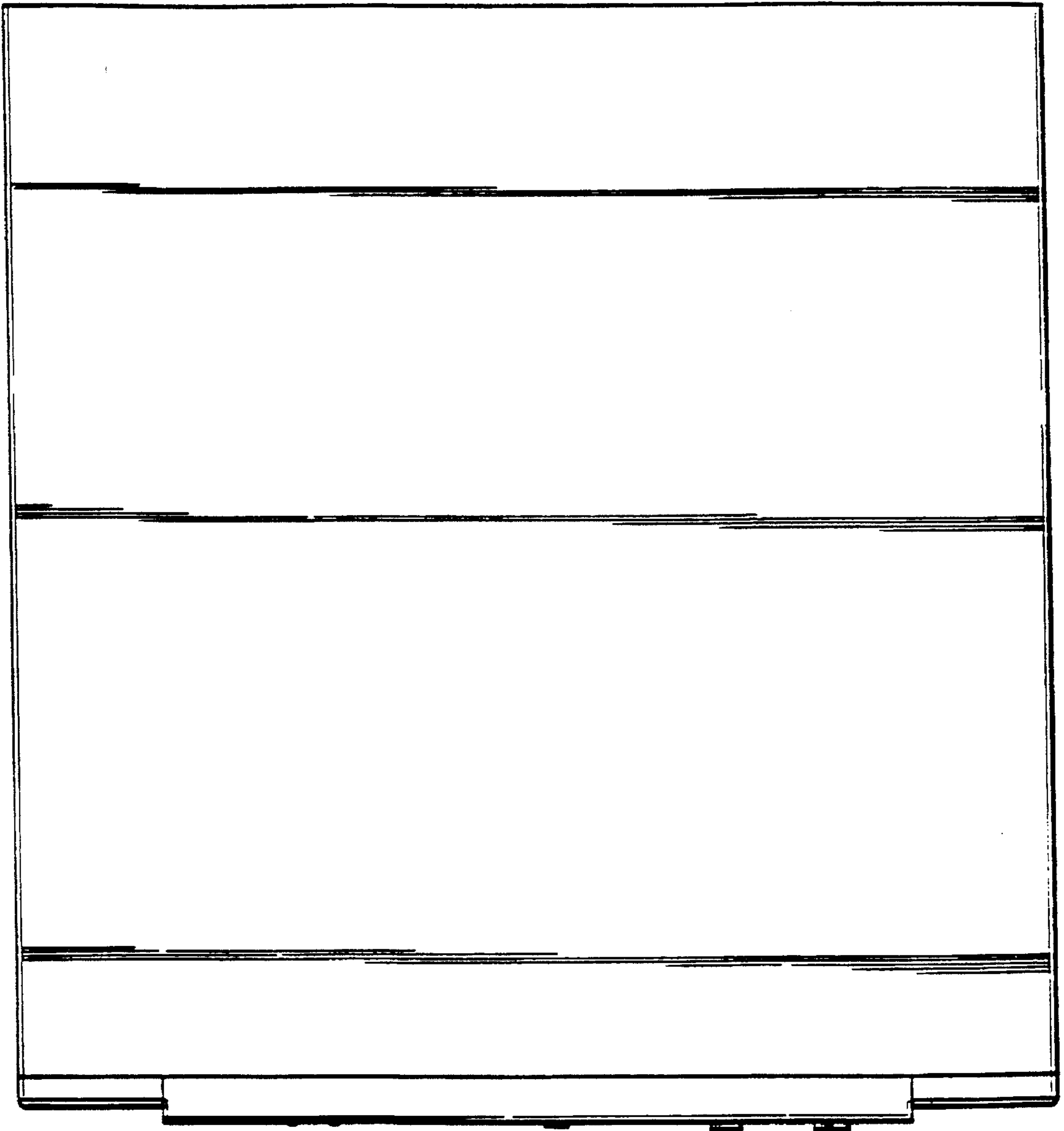


FIG. 6

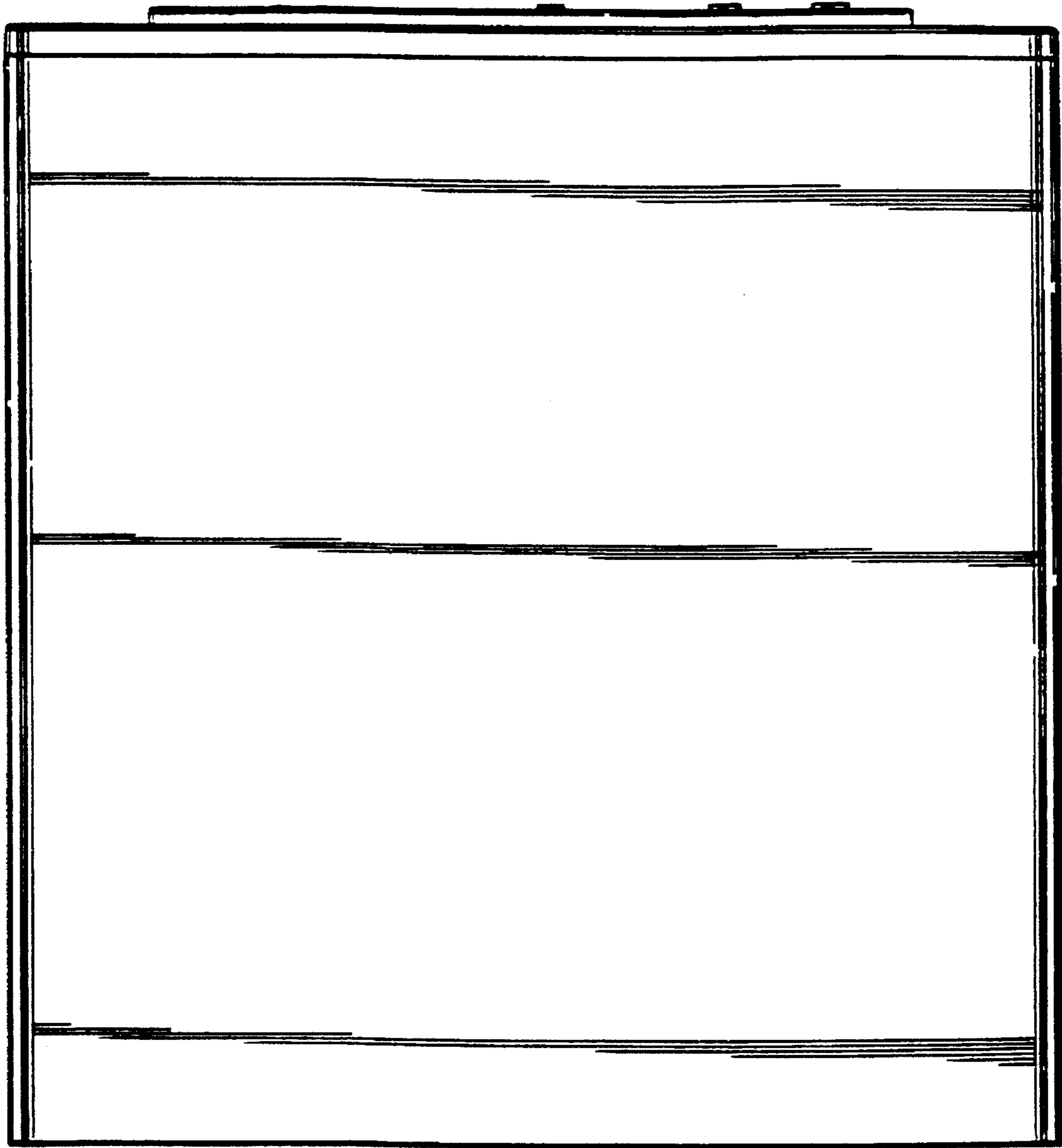


FIG. 7