



US00D367847S

United States Patent [19]

[11] Patent Number: **Des. 367,847**

Tarulli et al.

[45] Date of Patent: ****Mar. 12, 1996**

[54] LAMP SOCKET ADAPTER SWITCH

[75] Inventors: **Joseph A. Tarulli**, South Euclid; **Paul R. Metcalfe**, Bentleyville Village; **Dennis P. Revlock, Sr.**, Eastlake, all of Ohio

[73] Assignee: **Lamson & Sessions Co.**, Cleveland, Ohio

[**] Term: **14 Years**

[21] Appl. No.: **32,487**

[22] Filed: **Dec. 20, 1994**

[52] U.S. Cl. **D13/158; D13/134**

[58] Field of Search D13/134, 135, D13/136, 158, 165; 315/159, 194; 439/300, 306

D. 320,380	10/1991	Schwartz	D13/136
D. 350,760	9/1994	Ayotte	D13/134 X
3,163,768	12/1964	Bernheim	250/238
3,621,269	11/1971	Misencik	250/238
3,893,019	7/1975	King et al.	323/327
3,896,334	7/1975	Rodriguez	315/194
4,023,035	5/1977	Rodriguez	250/239
4,183,604	1/1980	Tjornhom, Sr.	439/300
4,422,018	12/1983	Bailey	315/360
4,632,490	12/1986	Von Gunten .	
4,660,906	4/1987	Haraden	439/239
4,988,921	1/1991	Ratner et al.	315/159
5,136,213	8/1992	Sacchetti	315/159
5,272,418	12/1993	Howe et al.	315/159

Primary Examiner—Joel Sincavage
Attorney, Agent, or Firm—Fay, Sharpe, Beall, Fagan, Minnich & McKee

[57] CLAIM

The ornamental design for light socket adapter switch, as shown.

DESCRIPTION

FIG. 1 is a top perspective view of a light socket adapter embodying the subject invention;
FIG. 2 is a front elevational view thereof;
FIG. 3 is a top plan view thereof;
FIG. 4 is a rear elevational view thereof; and,
FIG. 5 is a bottom plan view thereof.

1 Claim, 2 Drawing Sheets

[56] References Cited

U.S. PATENT DOCUMENTS

D. 217,466	5/1970	Garrett	D13/134 X
D. 257,839	1/1981	Mousette	D13/134 X
D. 284,652	7/1986	Engel	D13/135
D. 290,110	6/1987	Blaisdell et al.	D13/135
D. 291,557	8/1987	Engel	D13/135
D. 296,549	7/1988	Fenne	D13/134
D. 309,888	8/1990	Cheng	D13/135 X
D. 310,064	8/1990	Cheng	D13/165
D. 310,065	8/1990	Cheng	D13/165

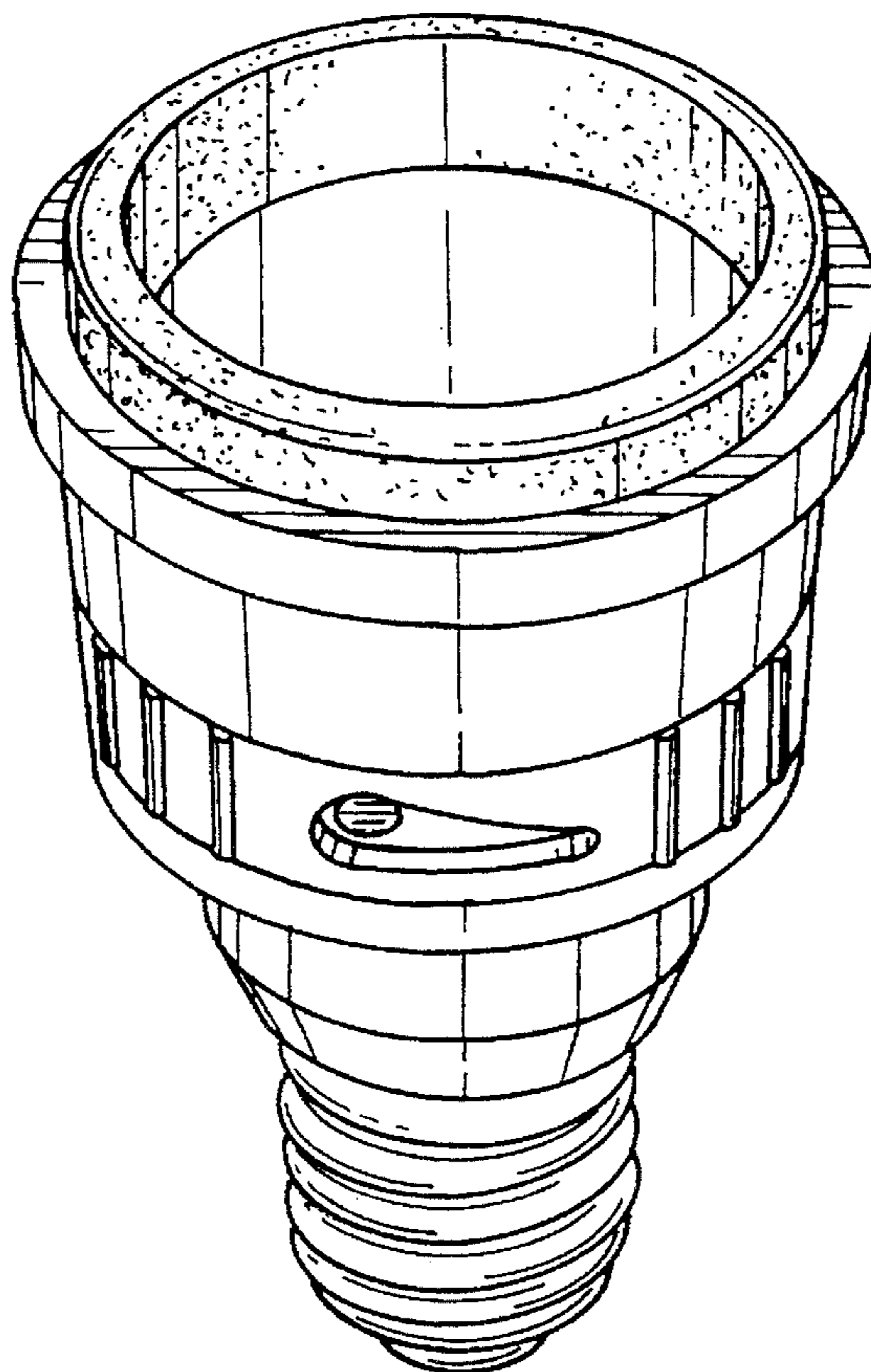


FIG. 1

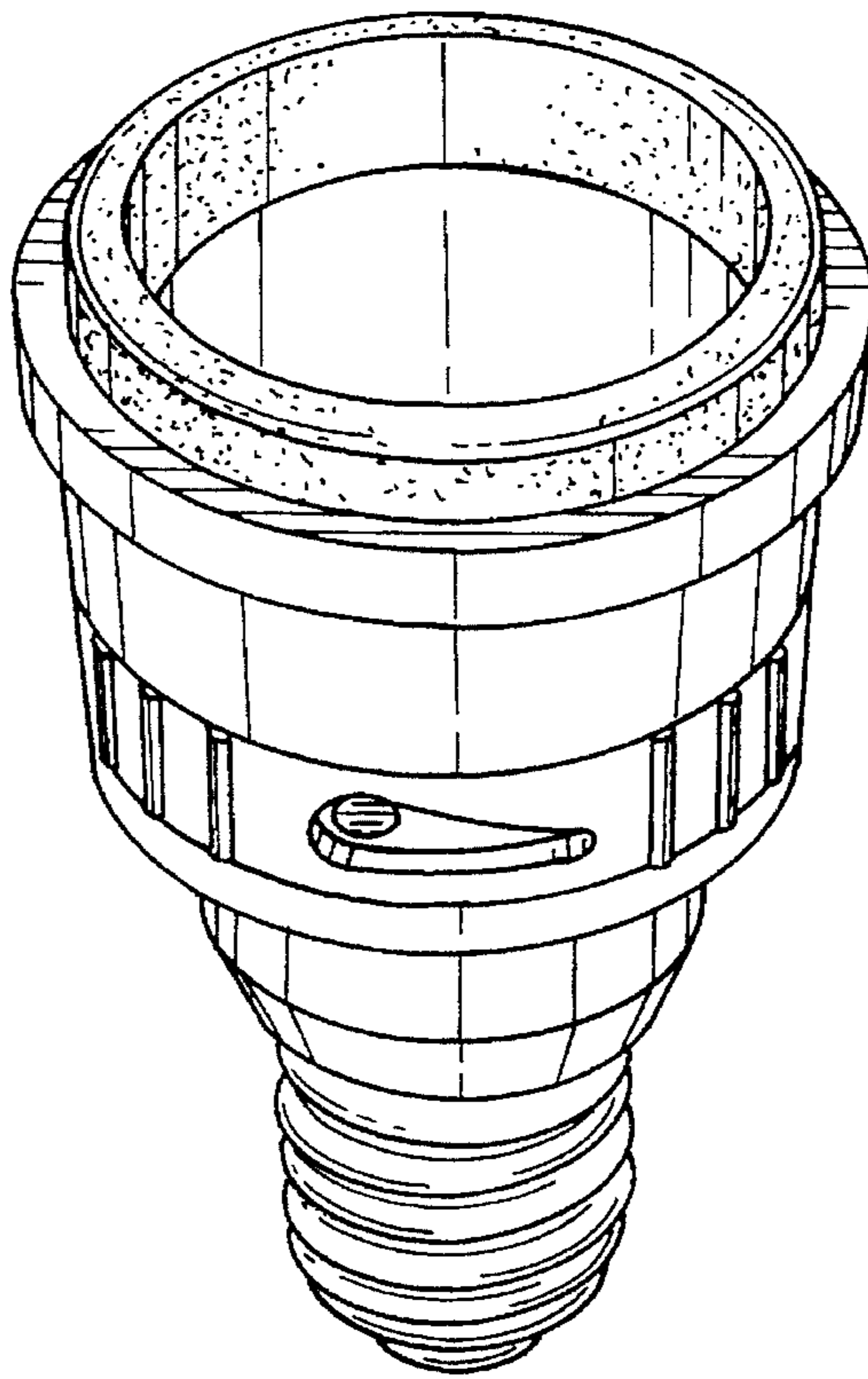


FIG. 2

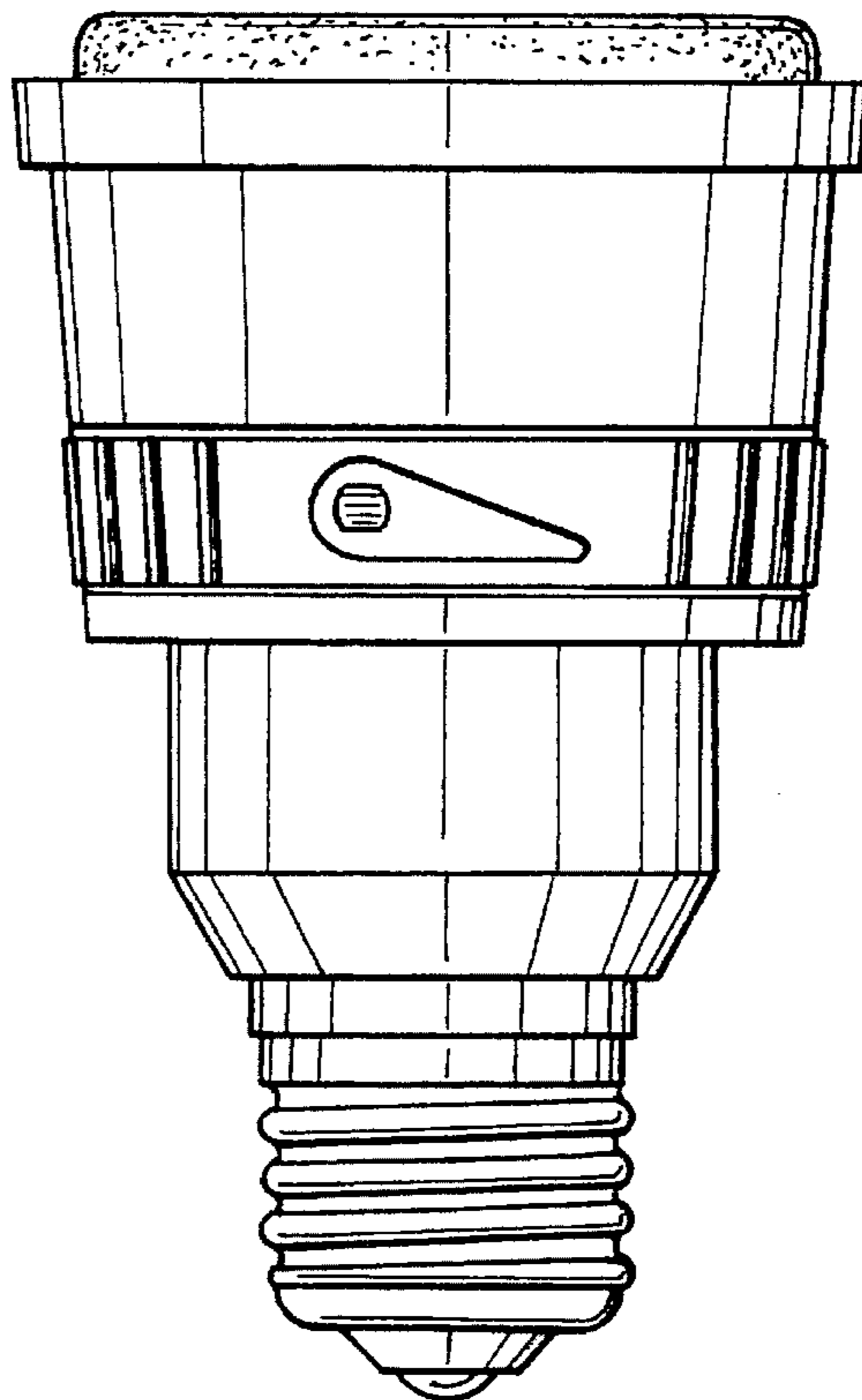


FIG. 3

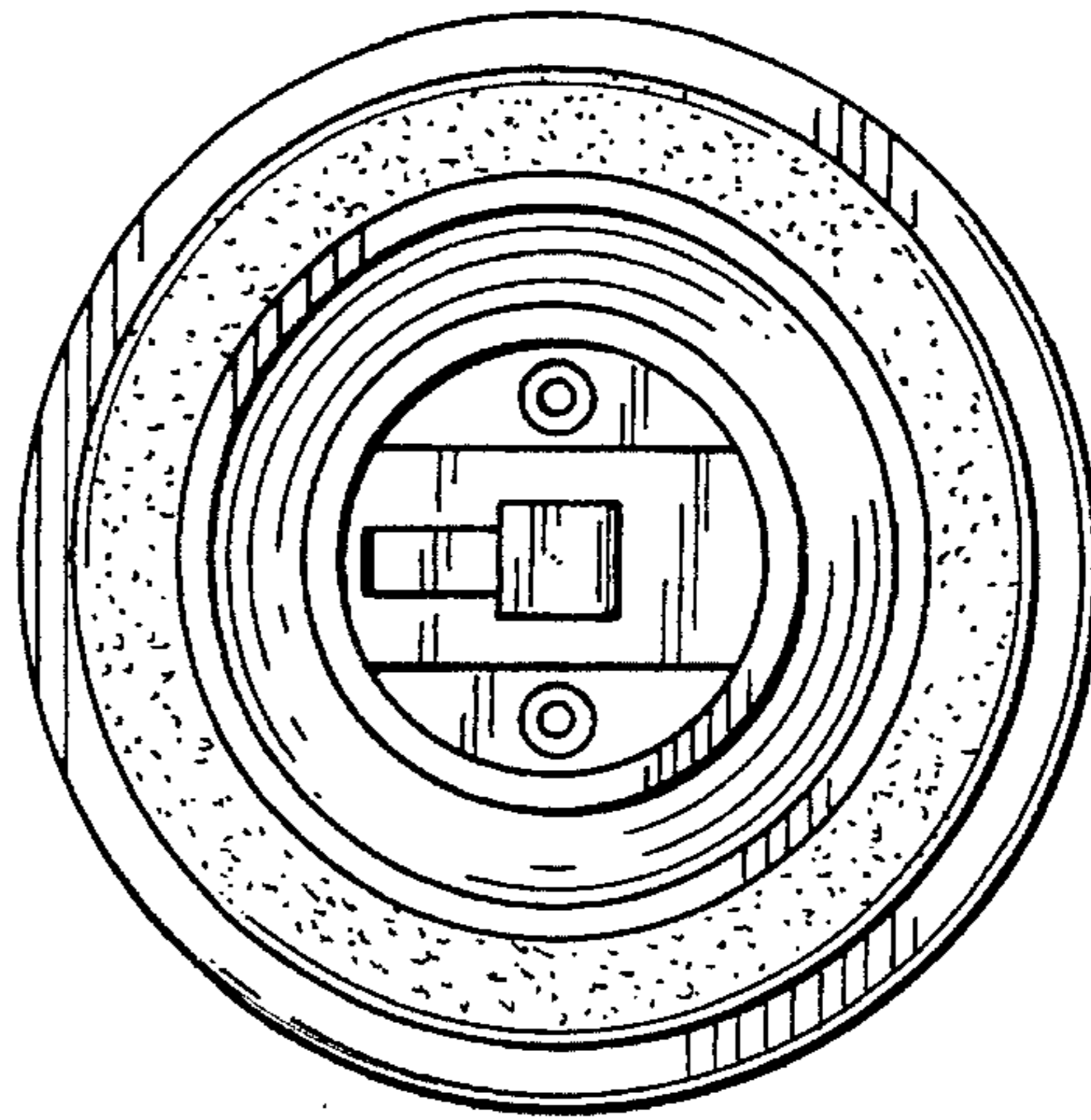


FIG. 4

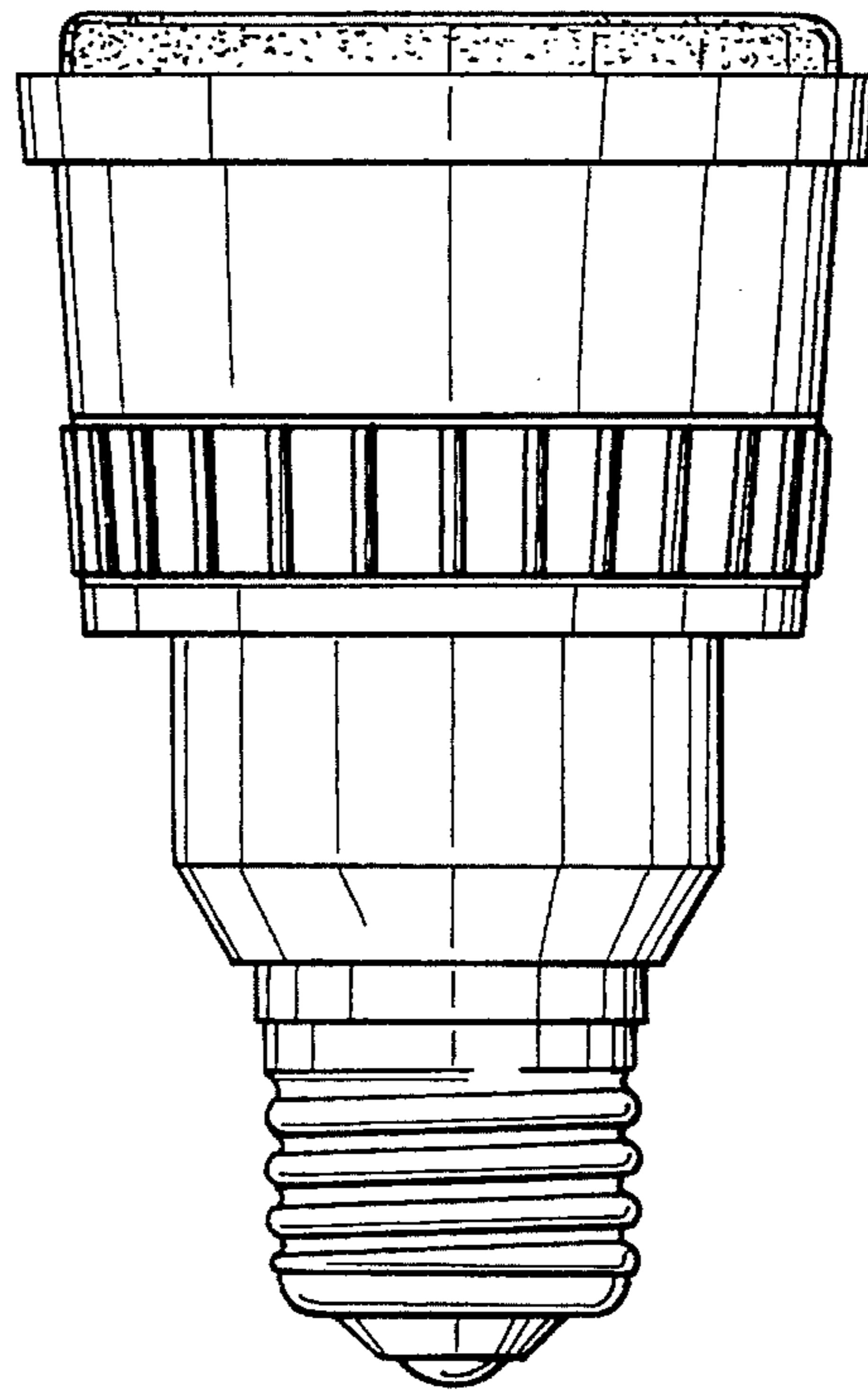


FIG. 5

