



US00D367846S

United States Patent [19]

Moshe

[11] Patent Number: **Des. 367,846**

[45] Date of Patent: ****Mar. 12, 1996**

[54] VEHICLE STARTER CABLE

[75] Inventor: **Eitan B. Moshe**, Canoga Park, Calif.

[73] Assignee: **Sun-Mate Corporation**, Canoga Park, Calif.

[**] Term: **14 Years**

[21] Appl. No.: **37,888**

[22] Filed: **Apr. 24, 1995**

[52] U.S. Cl. **D13/144**

[58] Field of Search **D13/144; 439/502, 439/503, 507, 638, 668**

[56] References Cited

U.S. PATENT DOCUMENTS

D. 300,626	4/1989	Crutcher et al.	D13/144
D. 314,178	1/1991	Reber	D13/144
D. 348,250	6/1994	Shababy	D13/144
4,647,139	3/1987	Yang	439/503 X
5,170,067	12/1992	Baum et al.	439/668 X

Primary Examiner—Joel Sincavage
Attorney, Agent, or Firm—Michael A. Painter

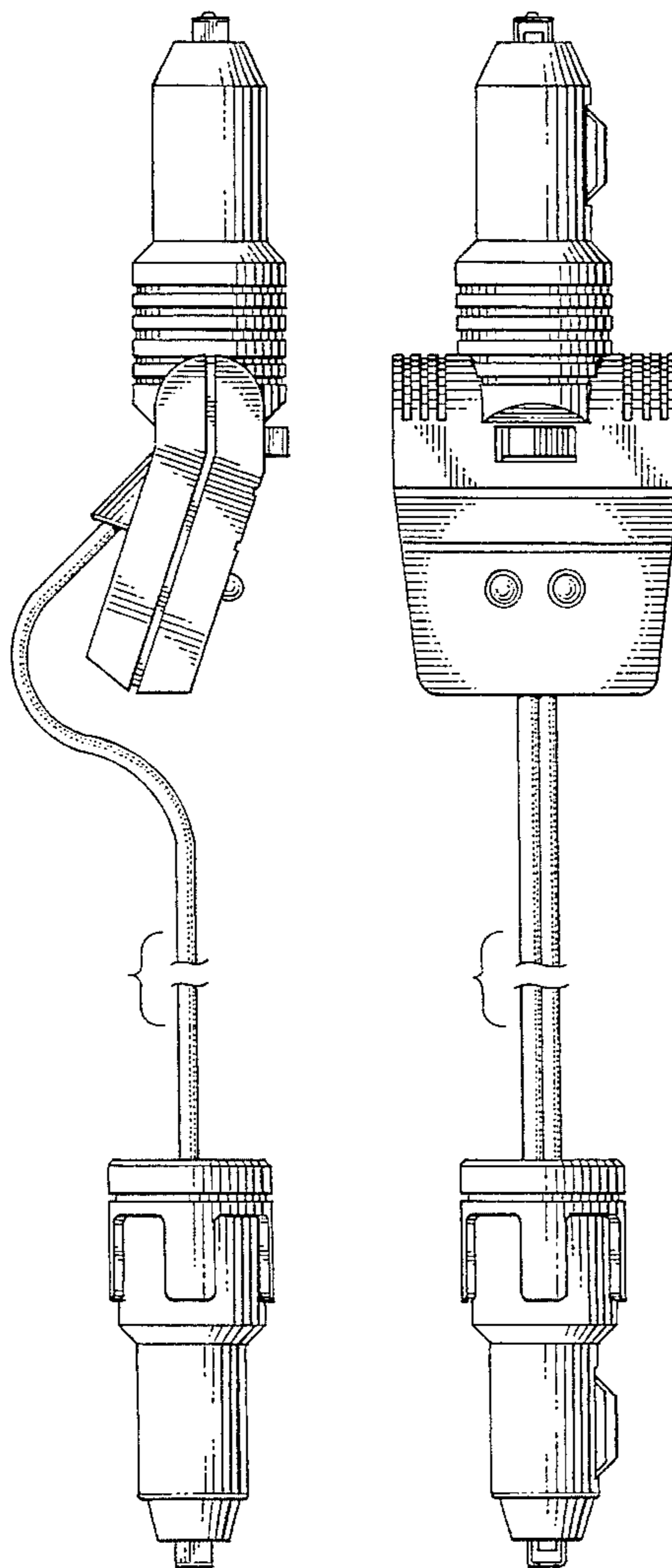
[57] CLAIM

The ornamental design for a vehicle starter cable, as described and shown.

DESCRIPTION

FIG. 1 is a front view of a vehicle starter cable illustrating my new design;
 FIG. 2 is a left side view thereof;
 FIG. 3 is a right side view thereof;
 FIG. 4 is a rear view thereof;
 FIG. 5 is a top view of the main control plug seen in the upper portion of FIG. 4;
 FIG. 6 is a bottom view of the main control plug seen in the upper portion of FIG. 4;
 FIG. 7 is a top view of the smaller plug seen in the lower portion of FIG. 4, the control plug being omitted for clarity; and,
 FIG. 8 is a bottom view of the smaller plug seen in the lower portion of FIG. 4, the control plug being omitted for clarity.
 The termination of the cable between the two plugs indicates a cable of indeterminate length.

1 Claim, 2 Drawing Sheets



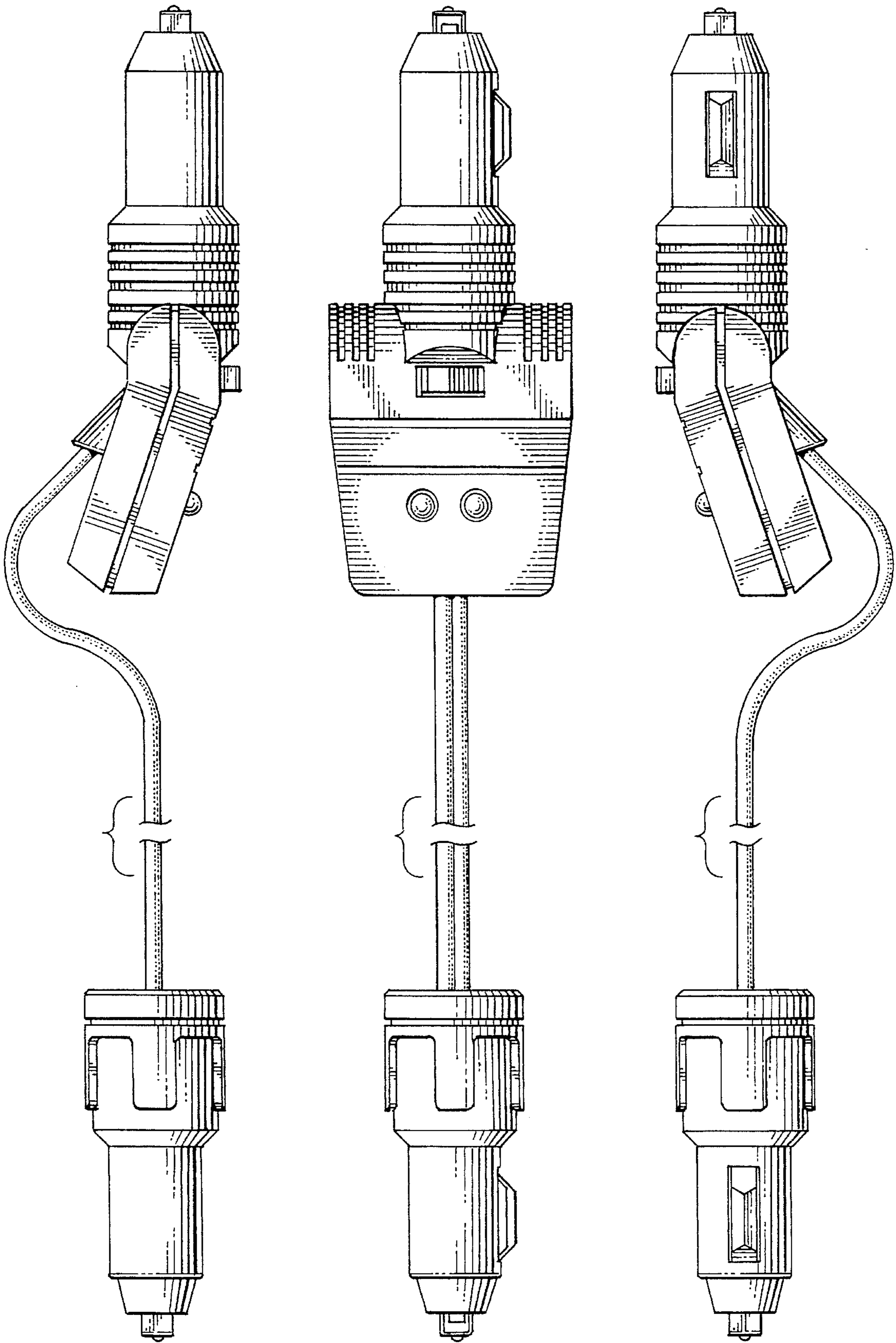


FIG. 2.

FIG. 1.

FIG. 3.

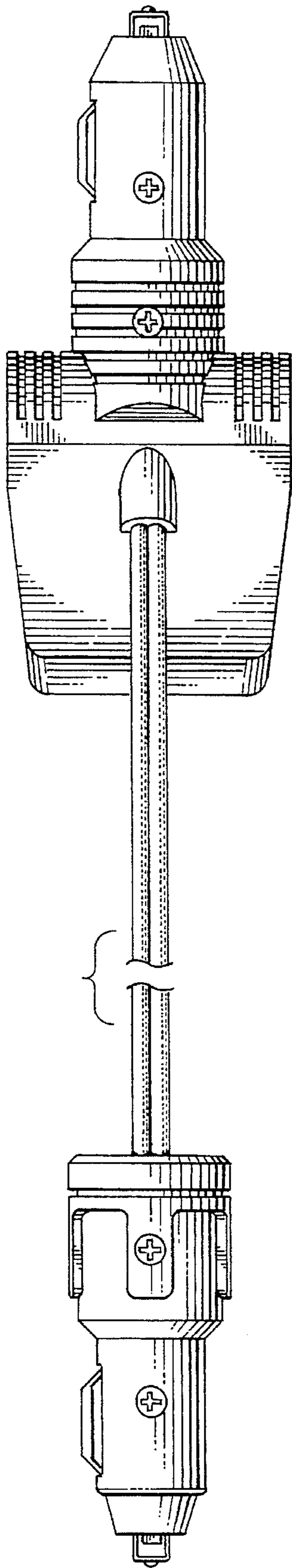


FIG. 4.

FIG. 5.

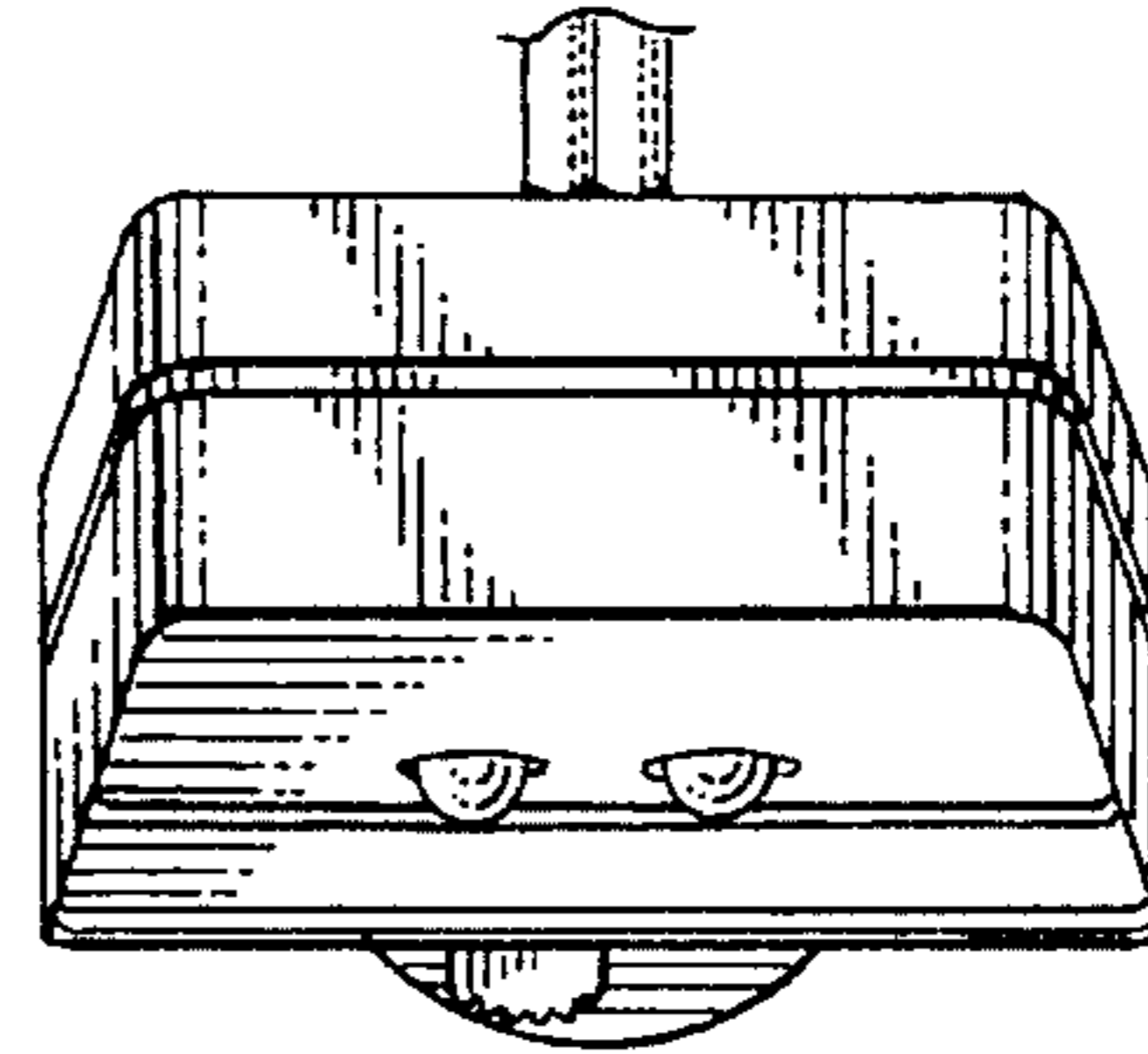
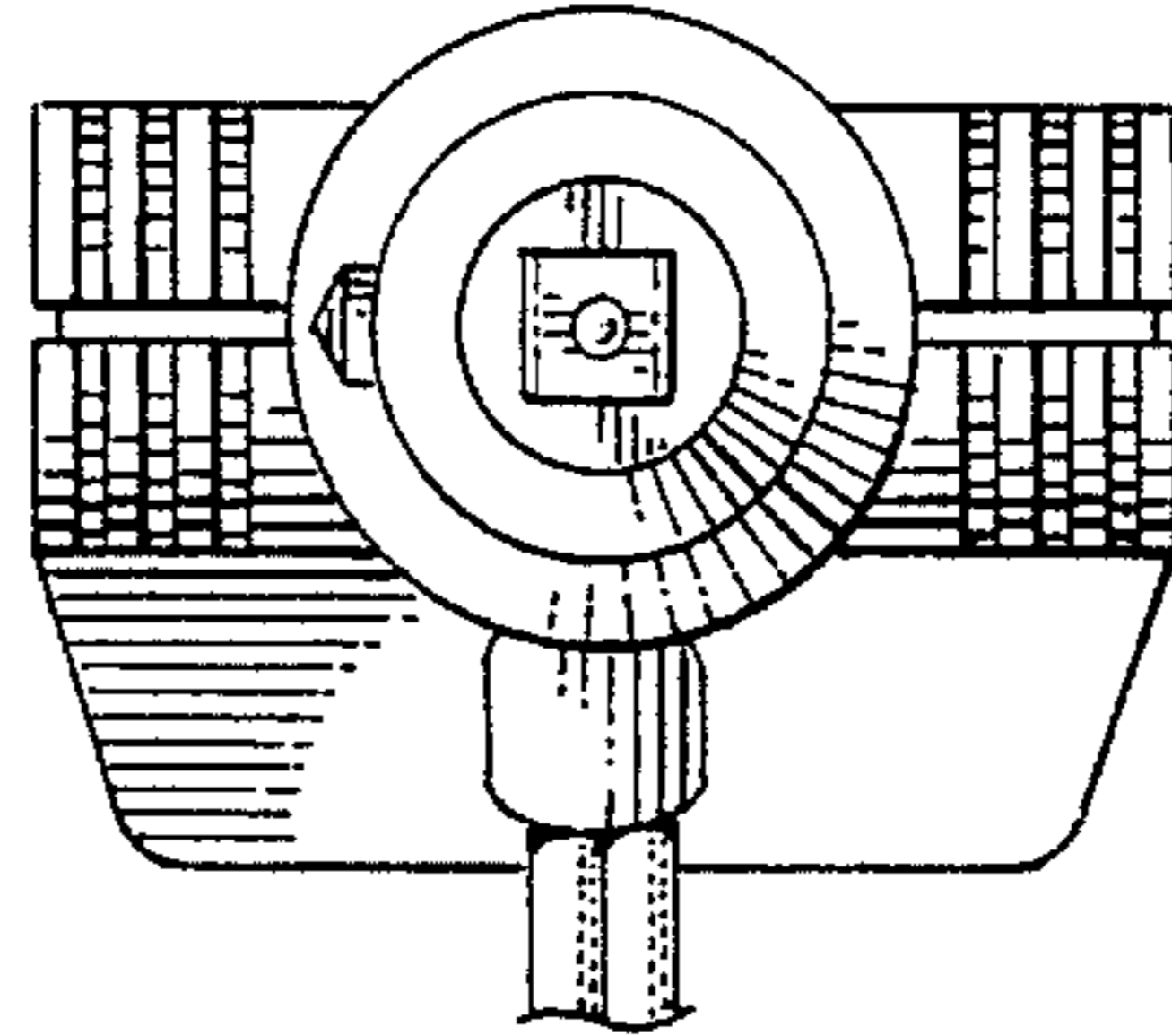


FIG. 6.

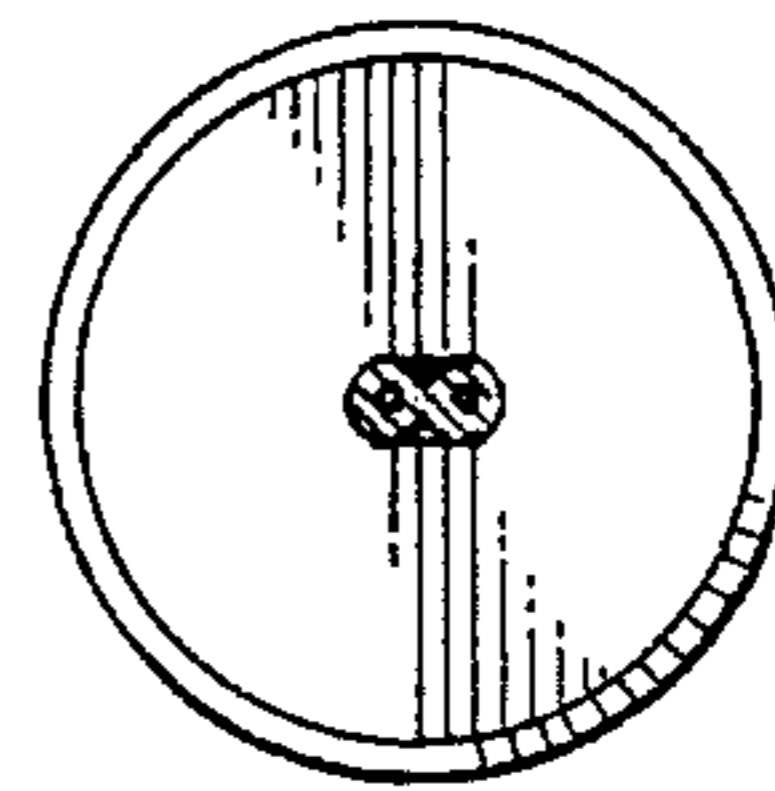


FIG. 7.

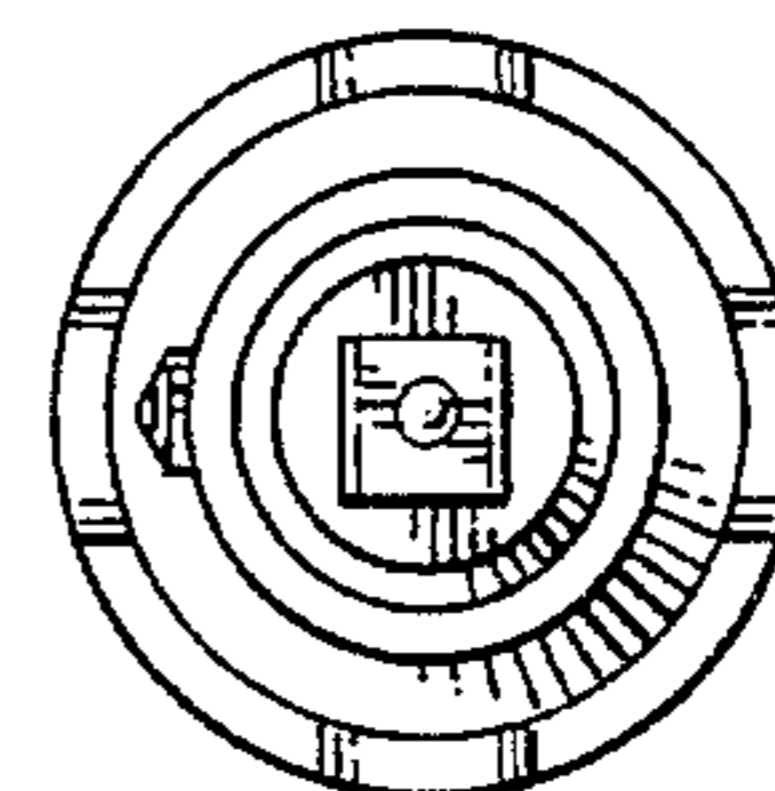


FIG. 8.



US008367846B1

REEXAMINATION CERTIFICATE (3370th)

United States Patent [19]

[11] **B1 Des. 367,846**

Moshe

[45] **Certificate Issued Nov. 18, 1997**

[54] **VEHICLE STARTER CABLE**

[**] **Term: 14 Years**

[75] **Inventor: Eitan B. Moshe, Canoga Park, Calif.**

[51] **LOC (6) Cl. 13-03**

[52] **U.S. Cl. D13/144**

[73] **Assignee: Sun-Mate Corp., Canoga Park, Calif.**

[58] **Field of Search D13/144; 439/502, 439/503, 507, 638, 668**

Reexamination Request:

No. 90/004,411, Oct. 15, 1996

[56] **References Cited**

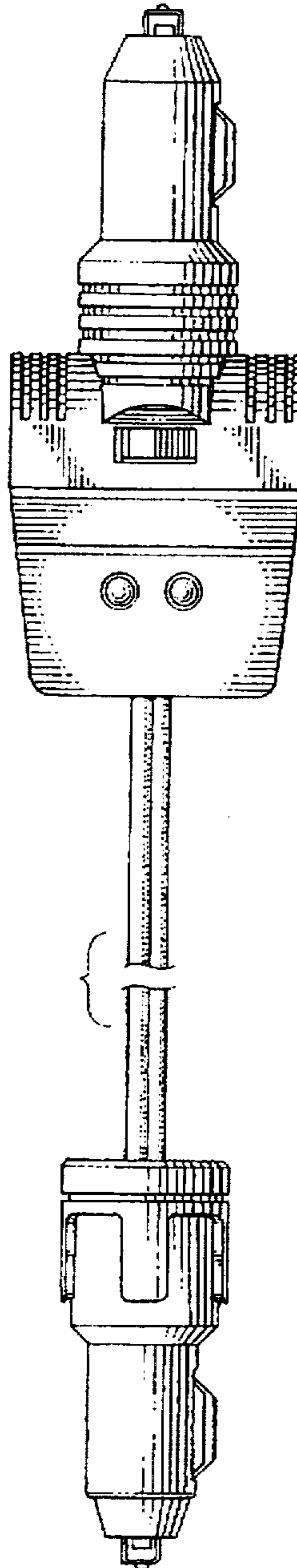
PUBLICATIONS

Reexamination Certificate for:

Patent No.: D. 8,367,846
Issued: Mar. 12, 1996
Appl. No.: 37,888
Filed: Apr. 24, 1995

U.K. Design Registration No. 1 025 891, Sep. 1985.
Accessory No. TS-252 on p. 20 of Anex Electrical Co. catalog, 1991.

Primary Examiner—Joel Sincavage



B1 Des. 367,846

1

**REEXAMINATION CERTIFICATE
ISSUED UNDER 35 U.S.C. 307**

THE PATENT IS HEREBY AMENDED AS
INDICATED BELOW.

2

AS A RESULT OF REEXAMINATION, IT HAS BEEN
DETERMINED THAT:

Claim 1 is cancelled.

* * * * *