



US00D367843S

United States Patent [19]

[11] Patent Number: **Des. 367,843**

Tayar

[45] Date of Patent: ****Mar. 12, 1996**

[54] **LOADING RACK FOR PICKUP TRUCKS**

4,770,458	9/1988	Burke et al.	296/3
4,779,916	10/1988	Christie	296/3
5,143,415	9/1992	Boudah	296/3

[76] Inventor: **Eli Tayar**, c/o Masgeriat Tal., Tel-Josef 019132, Israel

[**] Term: **14 Years**

Primary Examiner—A. Hugo Word
Assistant Examiner—Lavone D. Tabor
Attorney, Agent, or Firm—Popham, Haik, Schnobrich & Kaufman, Ltd.

[21] Appl. No.: **31,905**

[22] Filed: **Nov. 30, 1994**

[57] **CLAIM**

[30] **Foreign Application Priority Data**

The ornamental design for a loading rack for pickup trucks, as shown and described.

Jun. 1, 1994	[IL]	Israel	22686
Jun. 1, 1994	[IL]	Israel	22687

DESCRIPTION

[52] **U.S. Cl.** **D12/412**

FIG. 1 is a perspective view of a loading rack for pickup trucks embodying my new and ornamental design; FIG. 2 is a side elevation view thereof, the opposite side being a mirror image; FIG. 3 is a rear elevation view thereof; FIG. 4 is a front elevation view thereof; FIG. 5 is a top plan view thereof; and, FIG. 6 is a bottom plan view thereof.

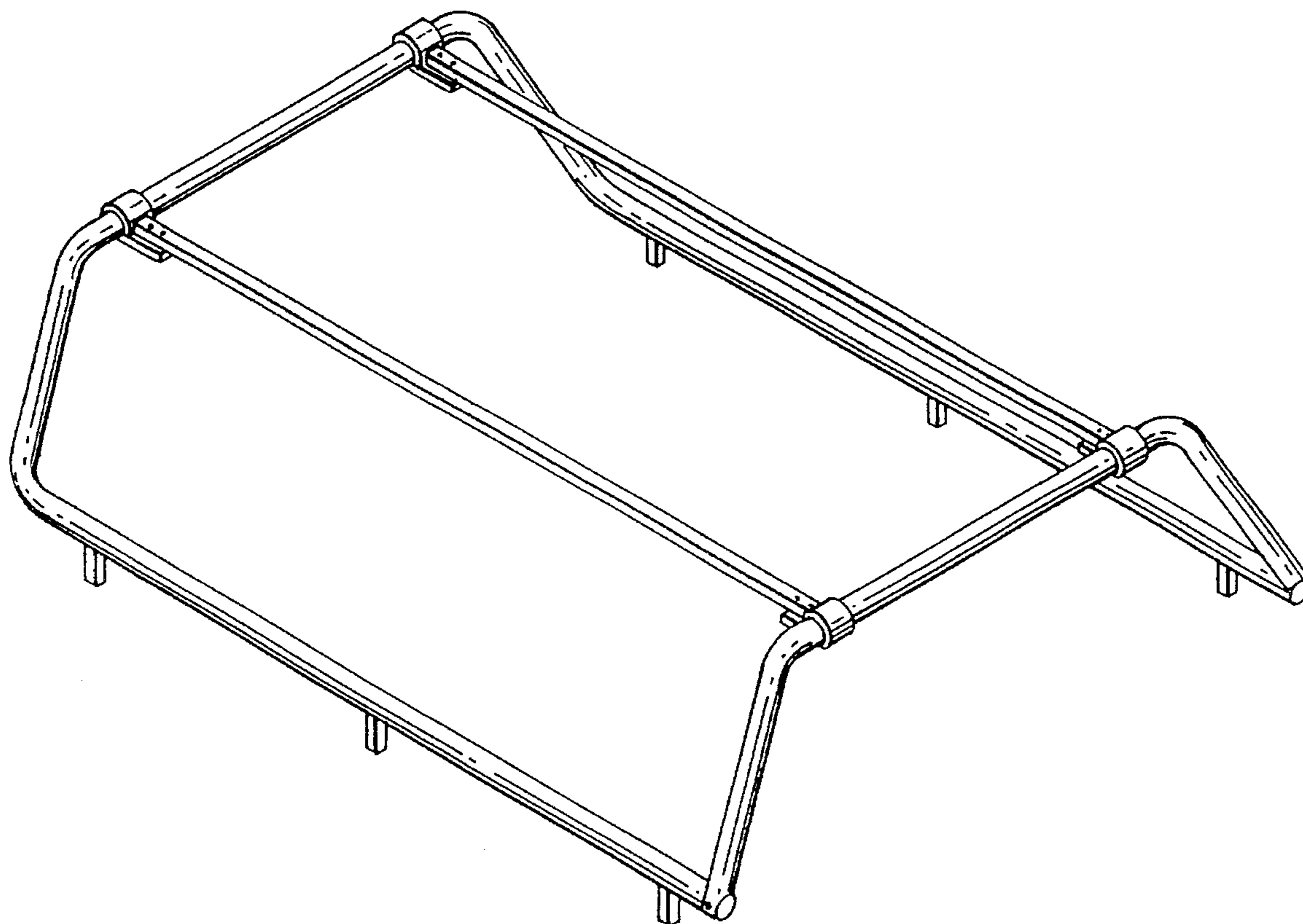
[58] **Field of Search** D12/223, 401, D12/406, 412; 296/3, 102; 224/323, 325, 327, 405

[56] **References Cited**

U.S. PATENT DOCUMENTS

D. 220,688	5/1971	Zulim et al.	D12/412
4,065,041	12/1977	Stegavig et al.	296/3 X

1 Claim, 2 Drawing Sheets



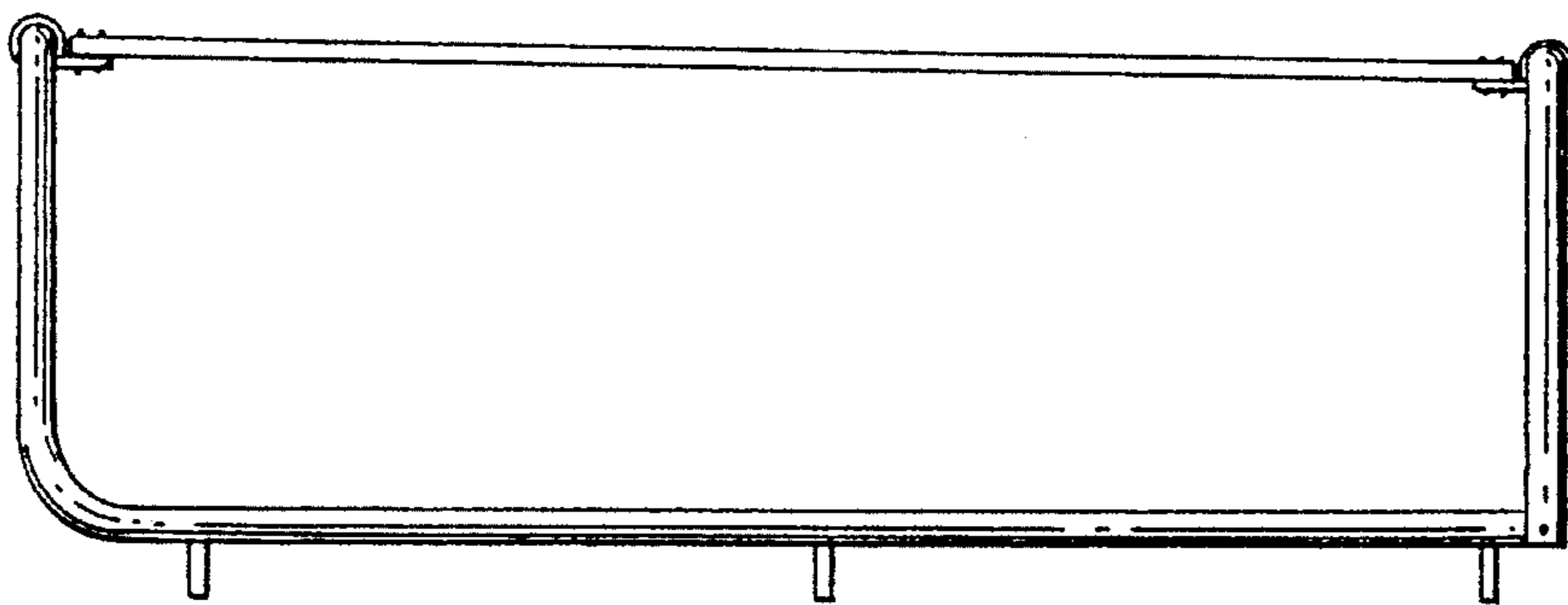
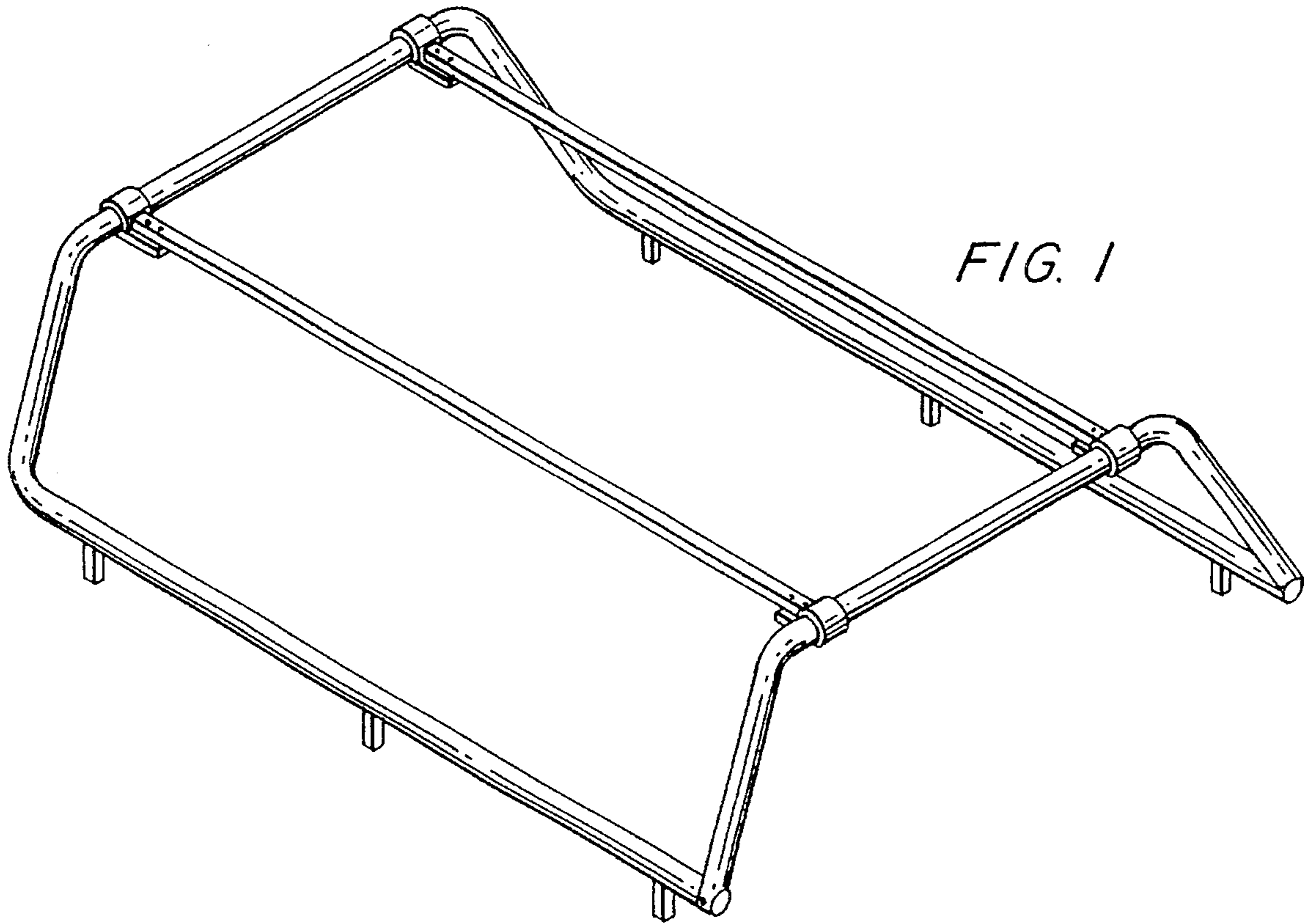


FIG. 2

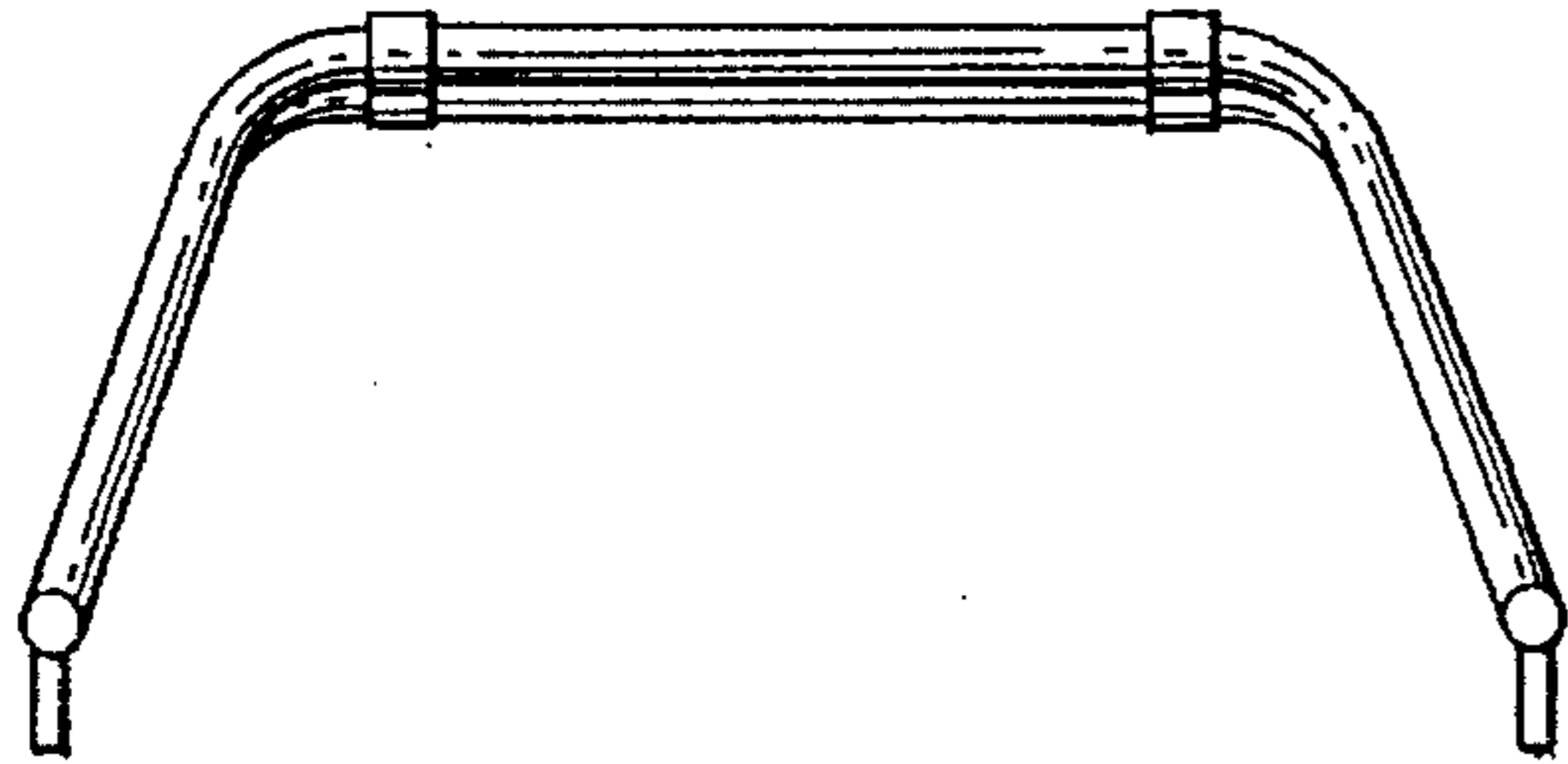


FIG. 3

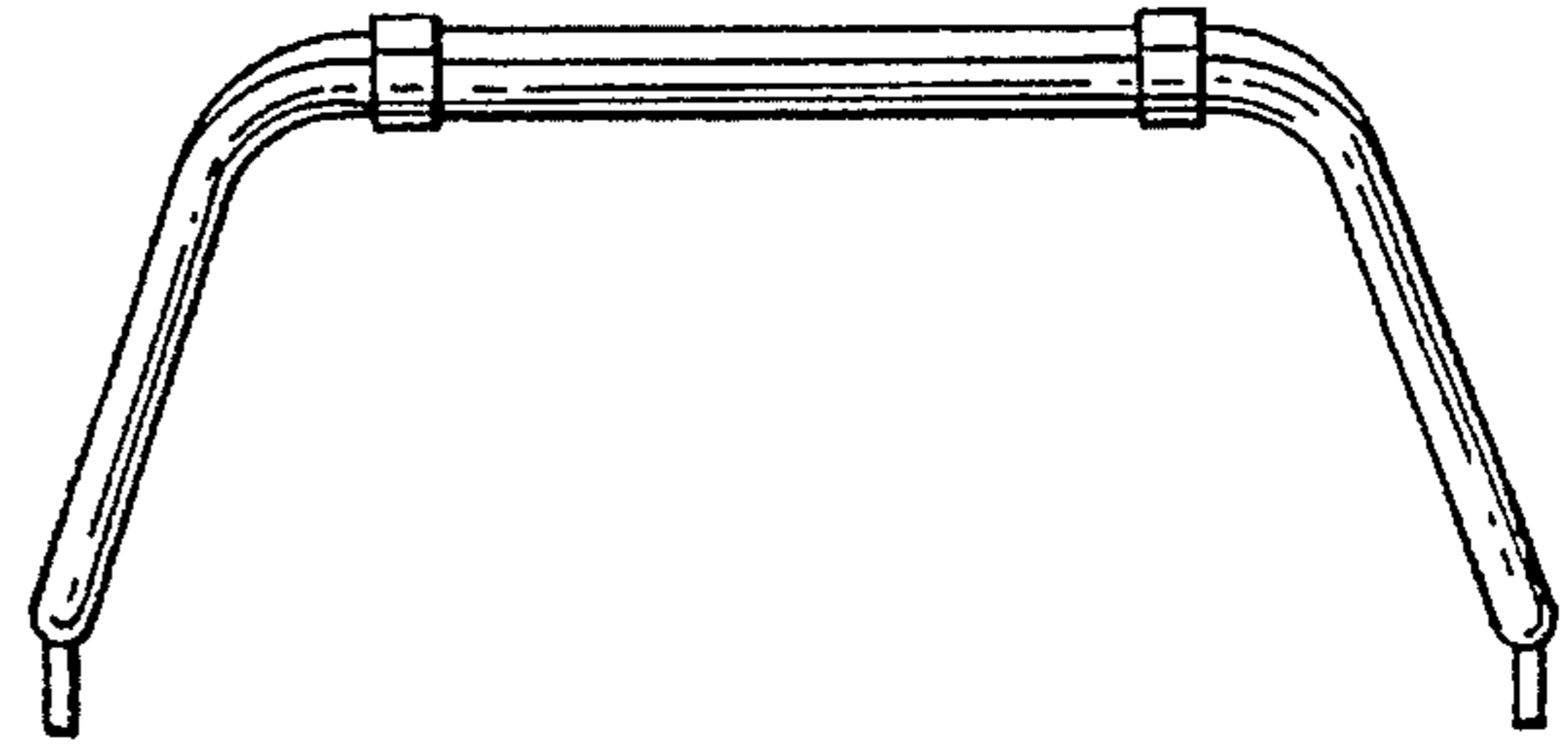


FIG. 4

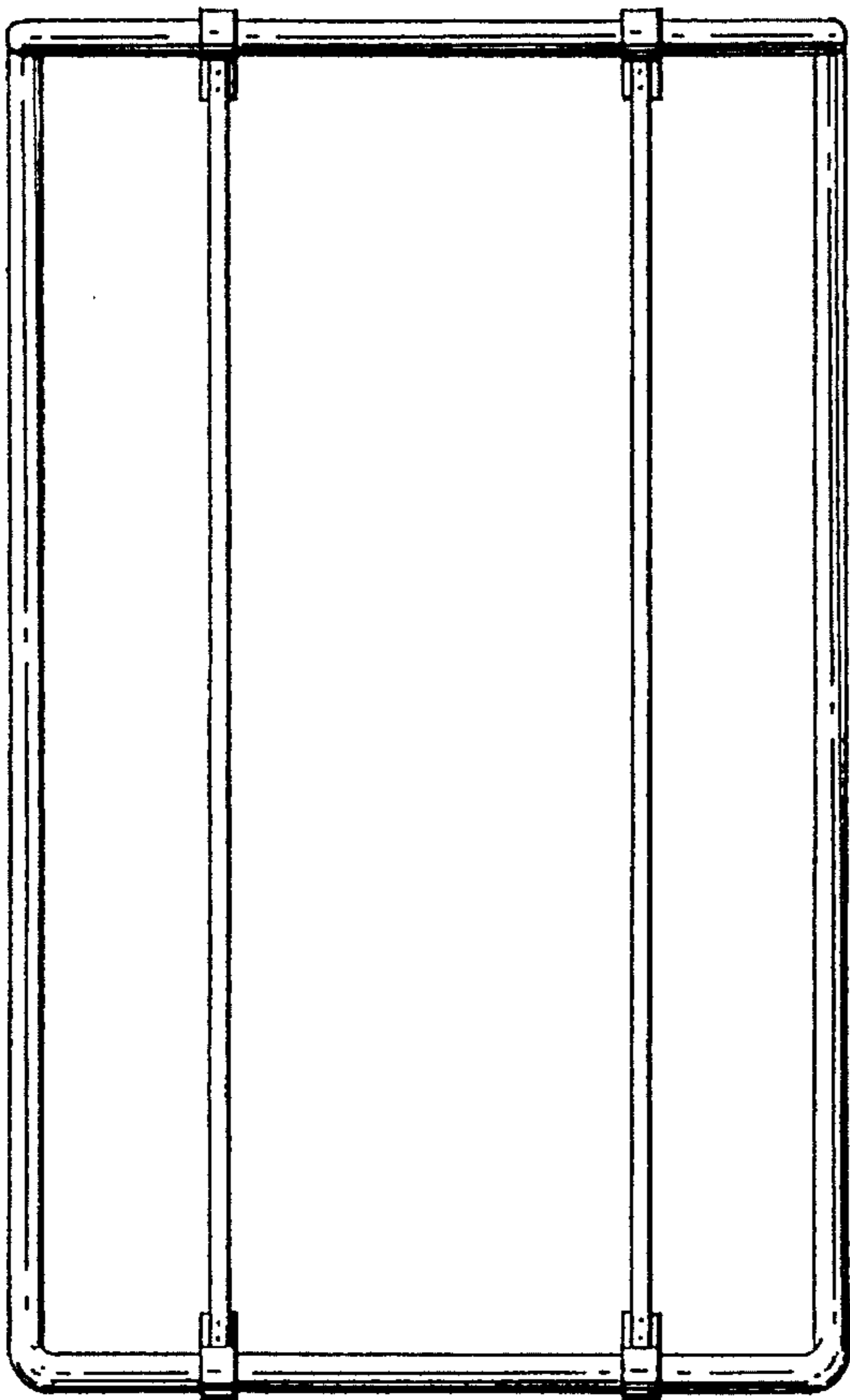


FIG. 5

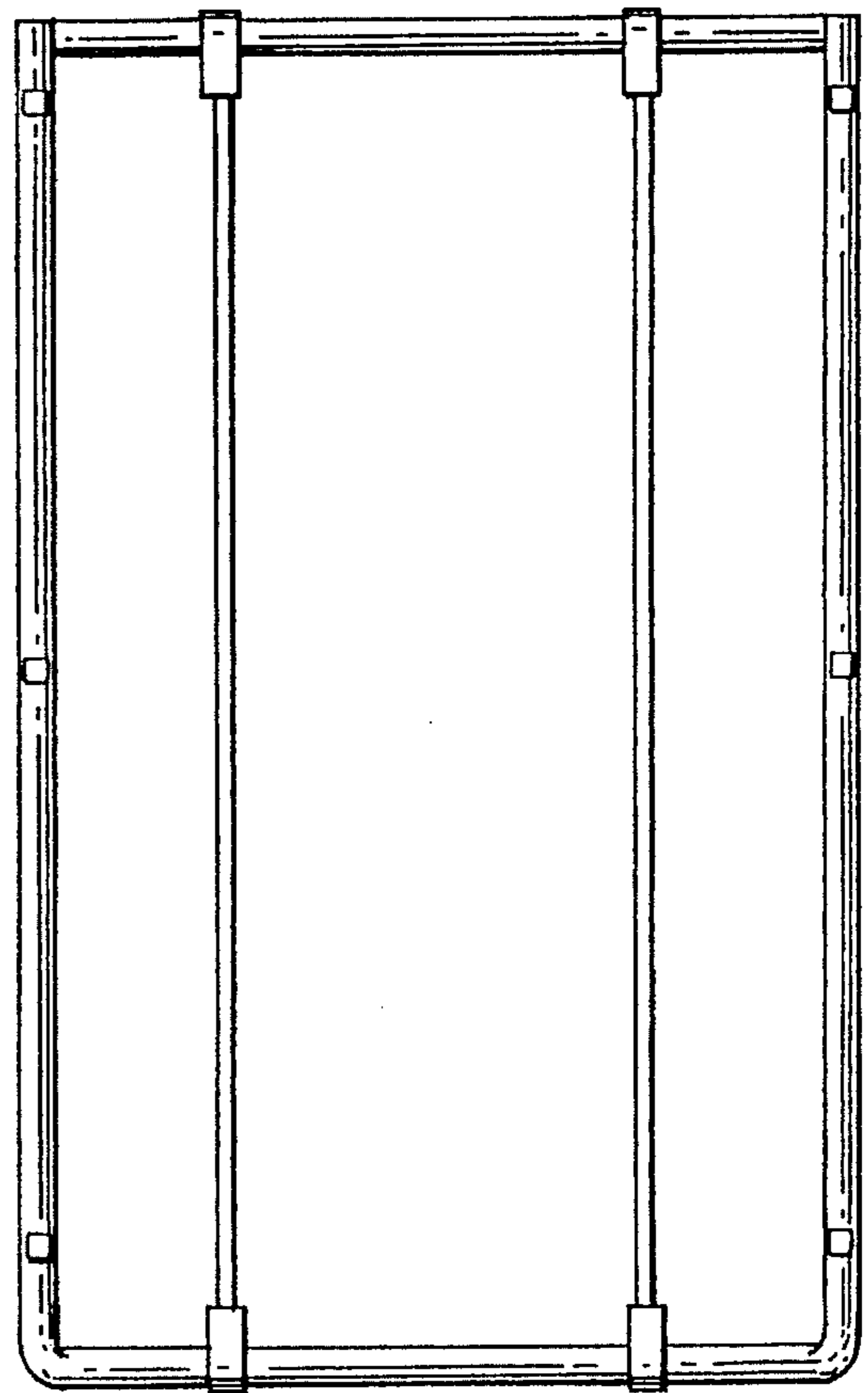


FIG. 6