



US00D367842S

# United States Patent [19]

[11] Patent Number: **Des. 367,842**

**Madden**

[45] Date of Patent: **\*\*Mar. 12, 1996**

[54] ANTI-VERMIN SHIELD FOR AN AIRPLANE WHEEL

5,312,068 5/1994 Talbert ..... 244/1 R

[76] Inventor: **Jack Madden**, 617A Lilikoi Rd.,  
Haiku, Hi. 96708

*Primary Examiner*—Kay H. Chin  
*Attorney, Agent, or Firm*—Terry M. Gernstein

[\*\*] Term: **14 Years**

[57] **CLAIM**

The ornamental design for an anti-vermin shield for an airplane wheel, as shown and described.

[21] Appl. No.: **29,813**

**DESCRIPTION**

[22] Filed: **Oct. 3, 1994**

[52] U.S. Cl. .... **D12/345; D30/199**

[58] Field of Search ..... **D12/345; D30/199;**  
**244/121, 1 R, 150; 119/174; 52/101**

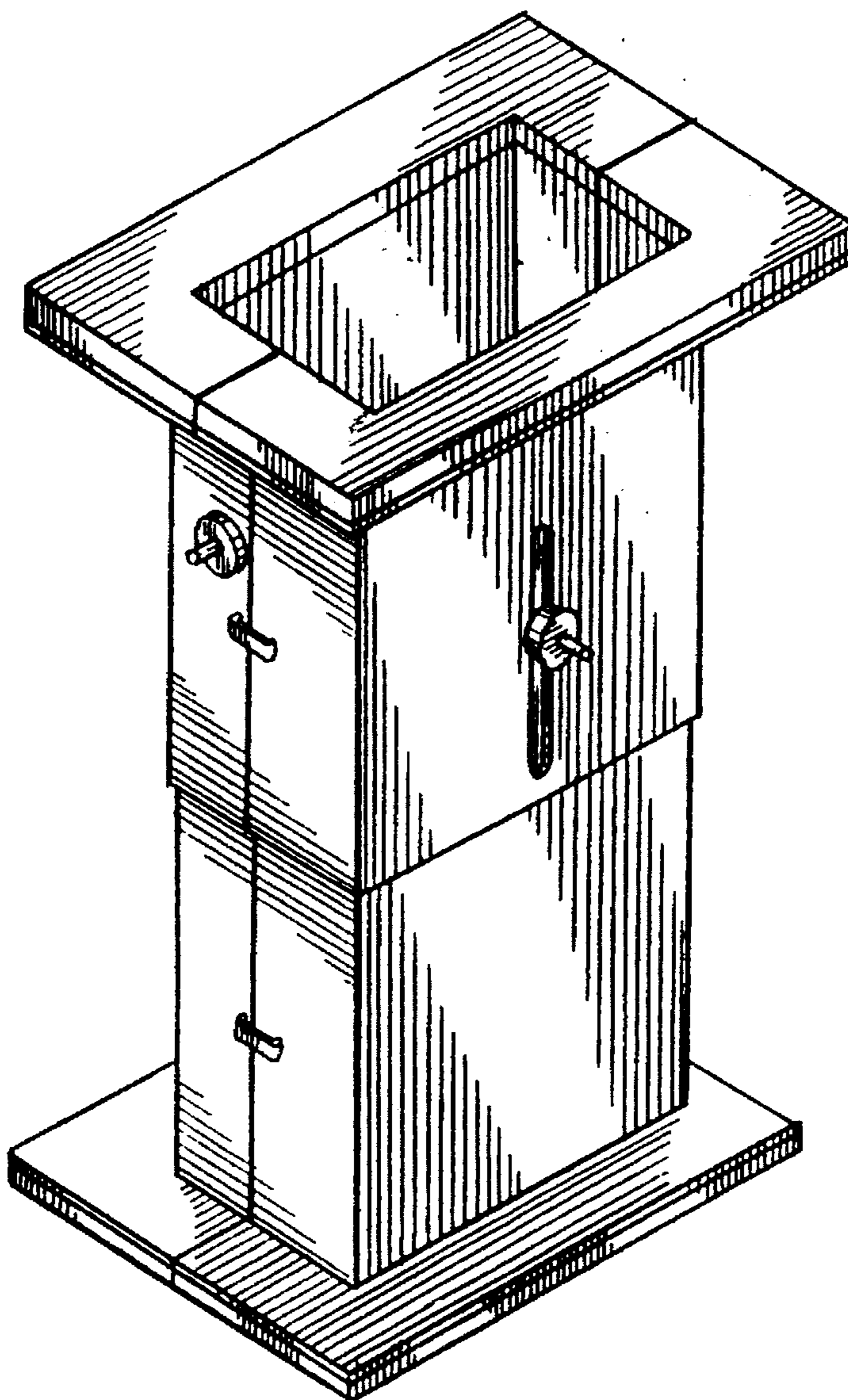
FIG. 1 is a top perspective view of an anti-vermin shield for an airplane wheel showing my new design; FIG. 2 is a front elevational view thereof, the rear being a mirror image of the front shown in FIG. 2; FIG. 3 is a side elevational view thereof, the side opposite being a mirror image of the side shown in FIG. 3; FIG. 4 is a top plan view thereof; and, FIG. 5 is a bottom plan view thereof.

[56] **References Cited**

**U.S. PATENT DOCUMENTS**

4,275,859	6/1981	Bleday	.....	244/121
4,606,516	8/1986	Willison	.....	244/121
5,114,098	5/1992	Campbell	.....	244/121

**1 Claim, 3 Drawing Sheets**



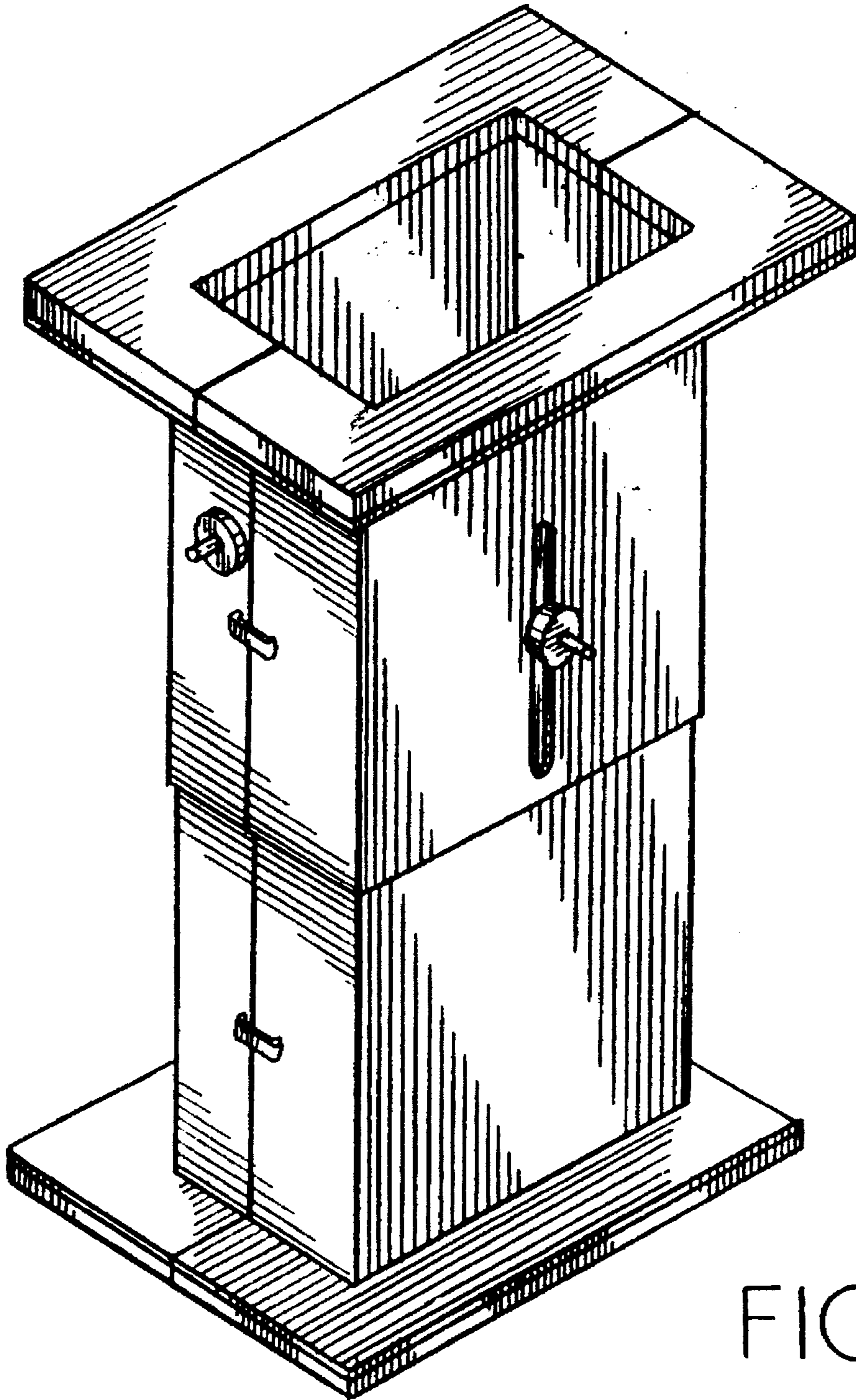


FIG. 1.

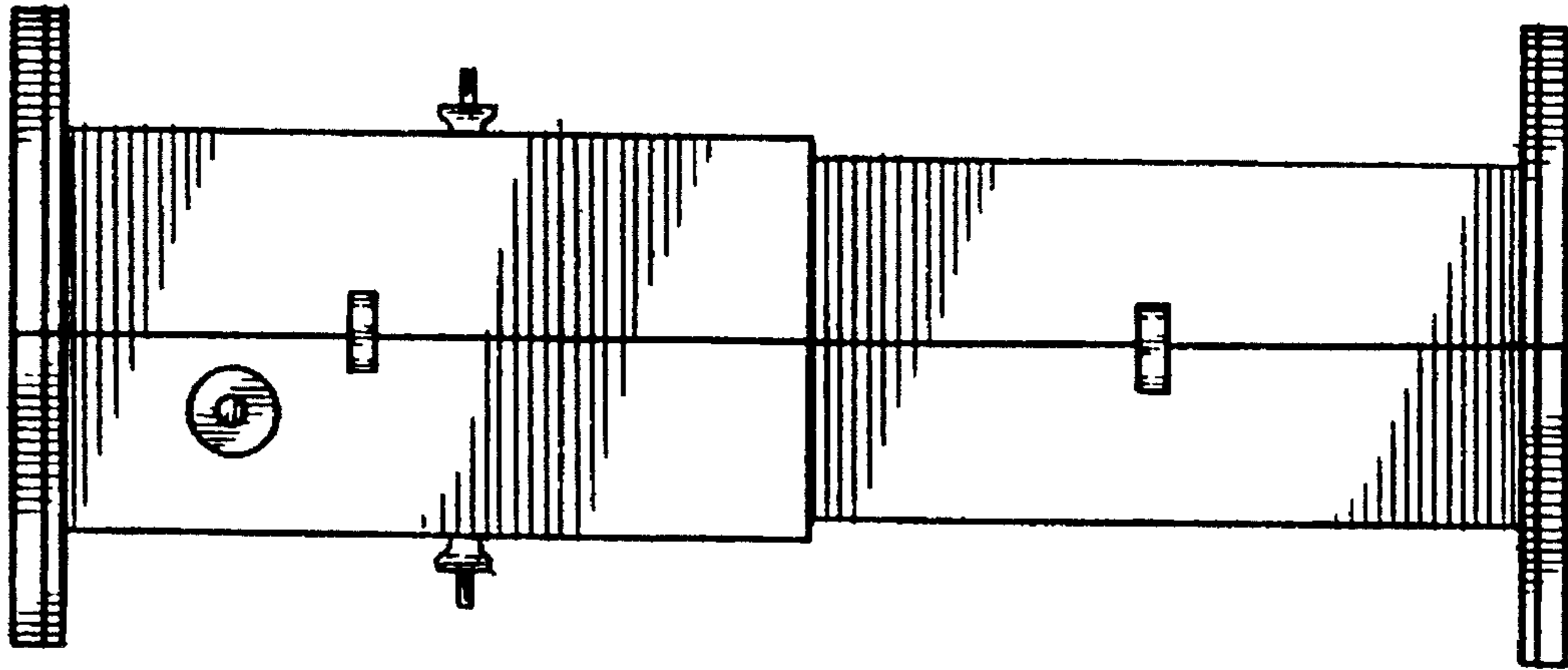


FIG. 3.

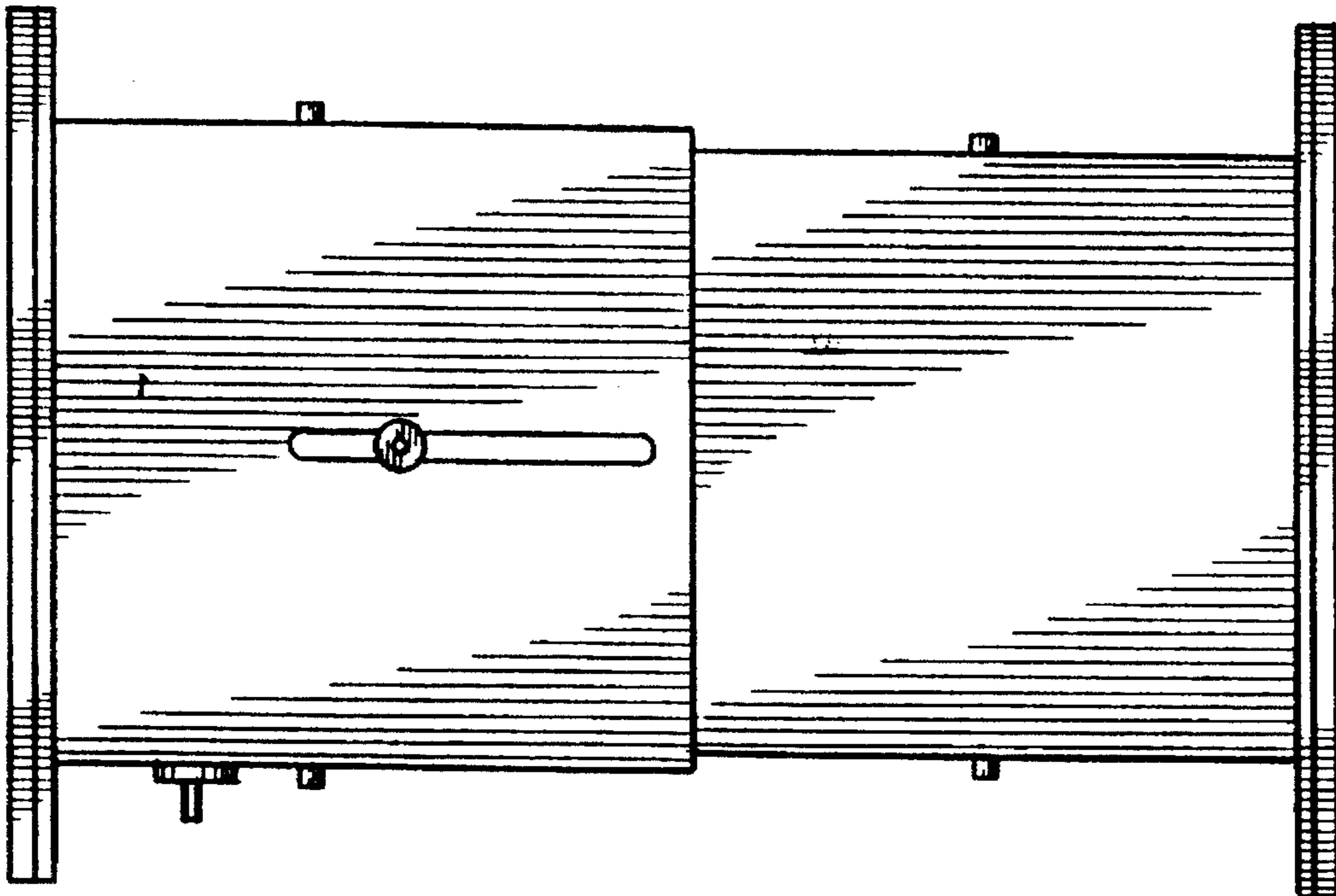


FIG. 2.

FIG. 5.

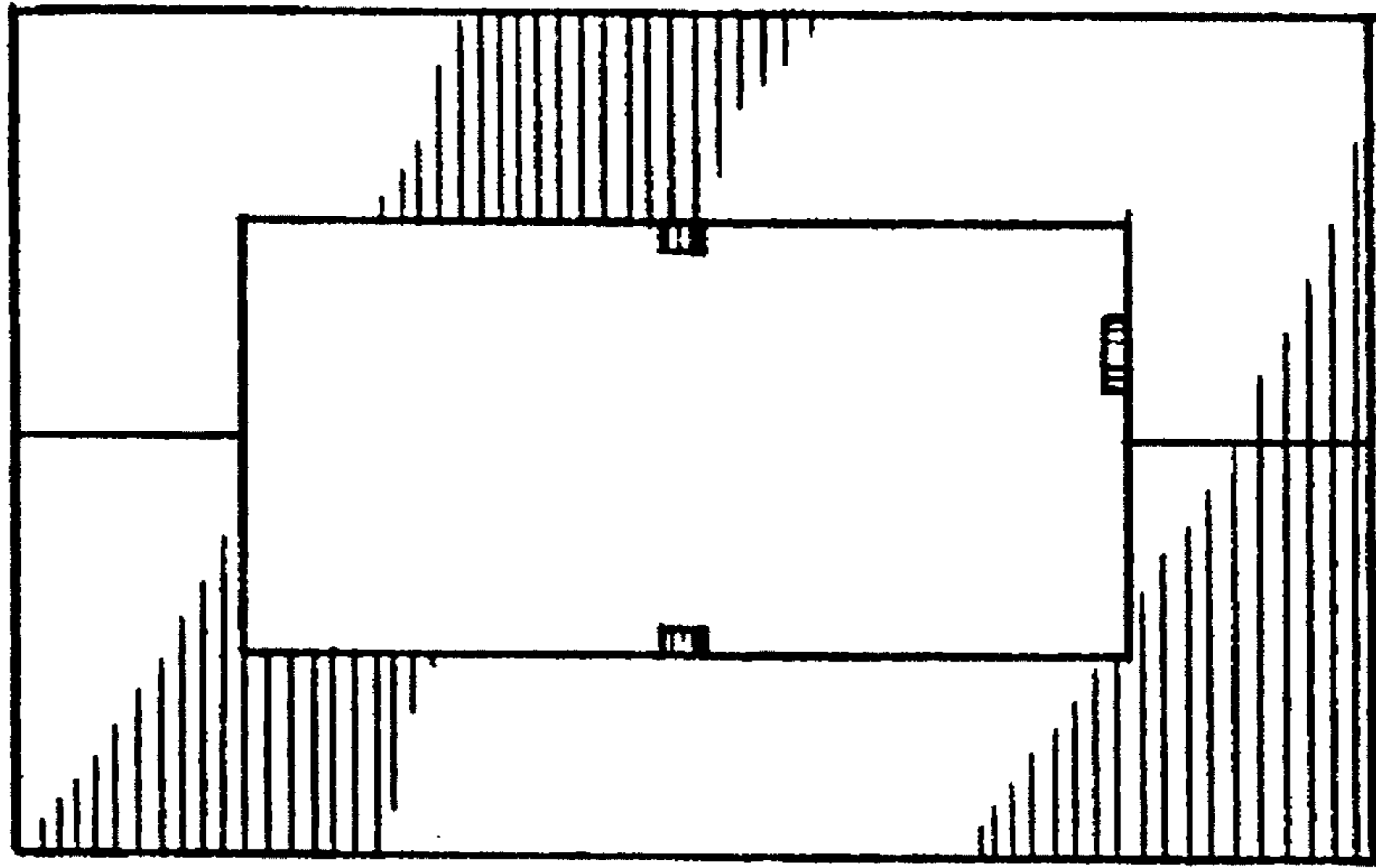


FIG. 4.

