



US00D367839S

United States Patent [19]

[11] Patent Number: **Des. 367,839**

Abbott et al.

[45] Date of Patent: ****Mar. 12, 1996**

[54] **EXTRUDED WIPER BACKING STRIP**

[75] Inventors: **Barry J. Abbott; Valerie M. Abbott**, both of Belgrave; **Stephen J. Clarke; Dino Donchi**, both of Ringwood, all of Australia

[73] Assignee: **Clean Screen Wipers Pty Ltd**, Boronia, Australia

[**] Term: **14 Years**

[21] Appl. No.: **18,378**

[22] Filed: **Feb. 4, 1994**

[30] **Foreign Application Priority Data**

| | | | | |
|---------------|------|-----------|-------|---------|
| Sep. 24, 1993 | [AU] | Australia | | 3028/93 |
| Dec. 2, 1993 | [AU] | Australia | | 3801/93 |

[52] **U.S. Cl.** **D12/220**

[58] **Field of Search** D12/219-220; 15/250.05, 250.06, 250.07, 250.35, 250.36, 250.41, 250.42, 250.32, 250.33

[56] **References Cited**

U.S. PATENT DOCUMENTS

| | | | | |
|------------|--------|---------------|-------|-------------|
| D. 324,359 | 3/1992 | Chen | | D12/220 |
| 3,879,794 | 4/1975 | Roberts | | 15/250.42 |
| 4,930,180 | 6/1990 | Longman | | 15/250.42 |
| 5,190,801 | 3/1993 | Charet et al. | | 15/250.41 X |
| 5,349,718 | 9/1994 | Gibbon | | 15/250.36 |

FOREIGN PATENT DOCUMENTS

| | | | | |
|---------|---------|--------|-------|-----------|
| 2692856 | 12/1993 | France | | 15/250.42 |
| 9311979 | 6/1993 | WIPO | | 15/250.42 |

Primary Examiner—M. H. Tung
Attorney, Agent, or Firm—Baker & Daniels

[57] **CLAIM**

The ornamental design for an extruded wiper backing strip, as shown and described.

DESCRIPTION

FIG. 1 is a perspective view of a first embodiment of an extruded wiper backing strip showing our new design, the blade is shown broken away in the middle to indicate indeterminate length;

FIG. 2 is a front elevational view of the embodiment shown in FIG. 1, the rear view being identical to the front view;

FIG. 3 is a top view of the embodiment shown in FIG. 1;

FIG. 4 is a side view of the embodiment shown in FIG. 1, the opposite side being identical to the side view;

FIG. 5 is a bottom view of the embodiment shown in FIG. 1;

FIG. 6 is a perspective view of a second embodiment of an extruded wiper backing strip showing our new design, the blade is shown broken away in the middle to indicate indeterminate length;

FIG. 7 is a front elevational view of the embodiment shown in FIG. 6, the rear view being identical to the front view;

FIG. 8 is a top view of the embodiment shown in FIG. 6;

FIG. 9 is a side view of the embodiment shown in FIG. 6, the opposite side being identical to the side view;

FIG. 10 is a bottom view of the embodiment shown in FIG. 6;

FIG. 11 is a perspective view of a third embodiment of an extruded wiper backing strip showing our new design, the blade is shown broken away in the middle to indicate indeterminate length;

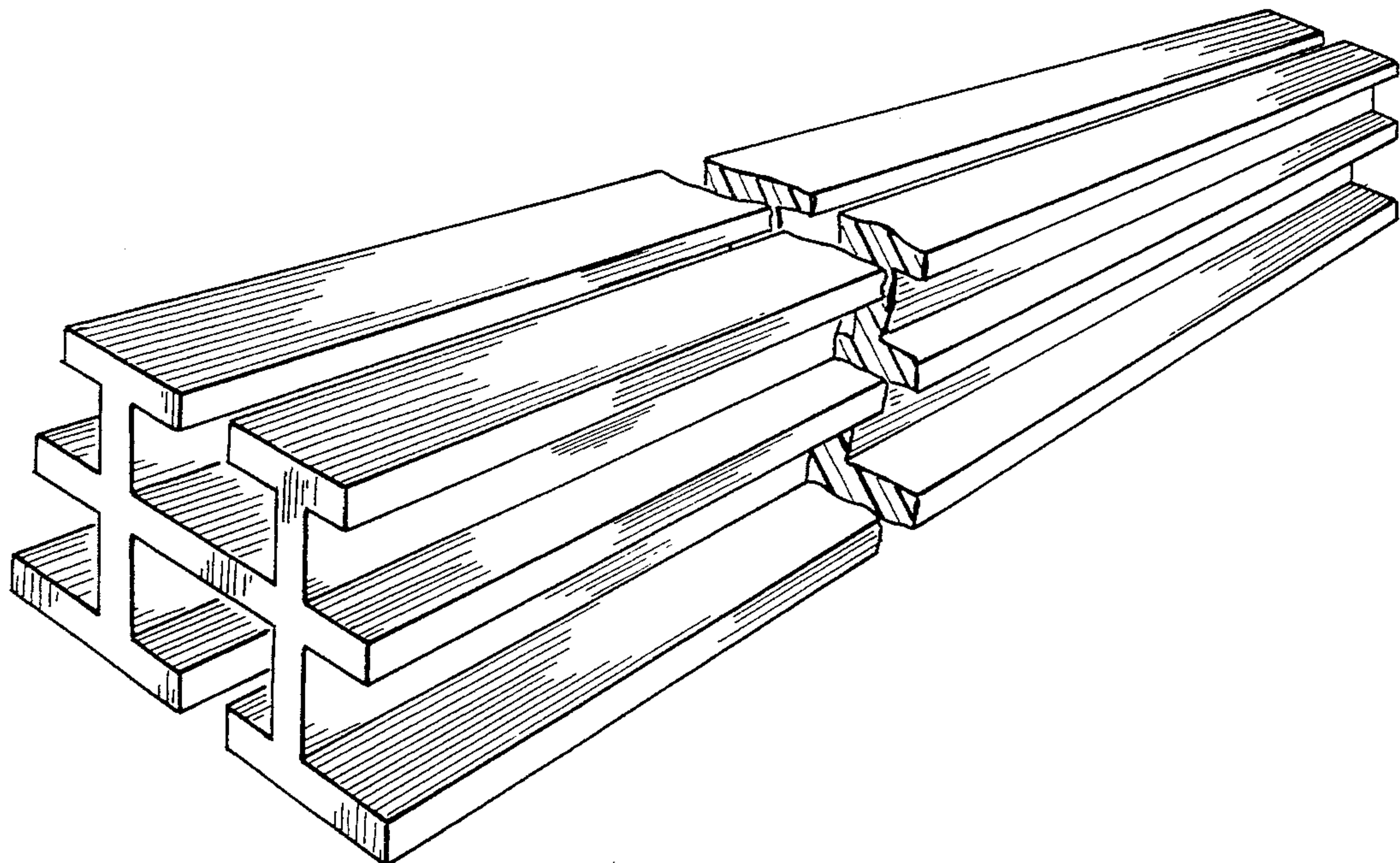
FIG. 12 is a front elevational view of the embodiment shown in FIG. 11, the rear view being identical to the front view;

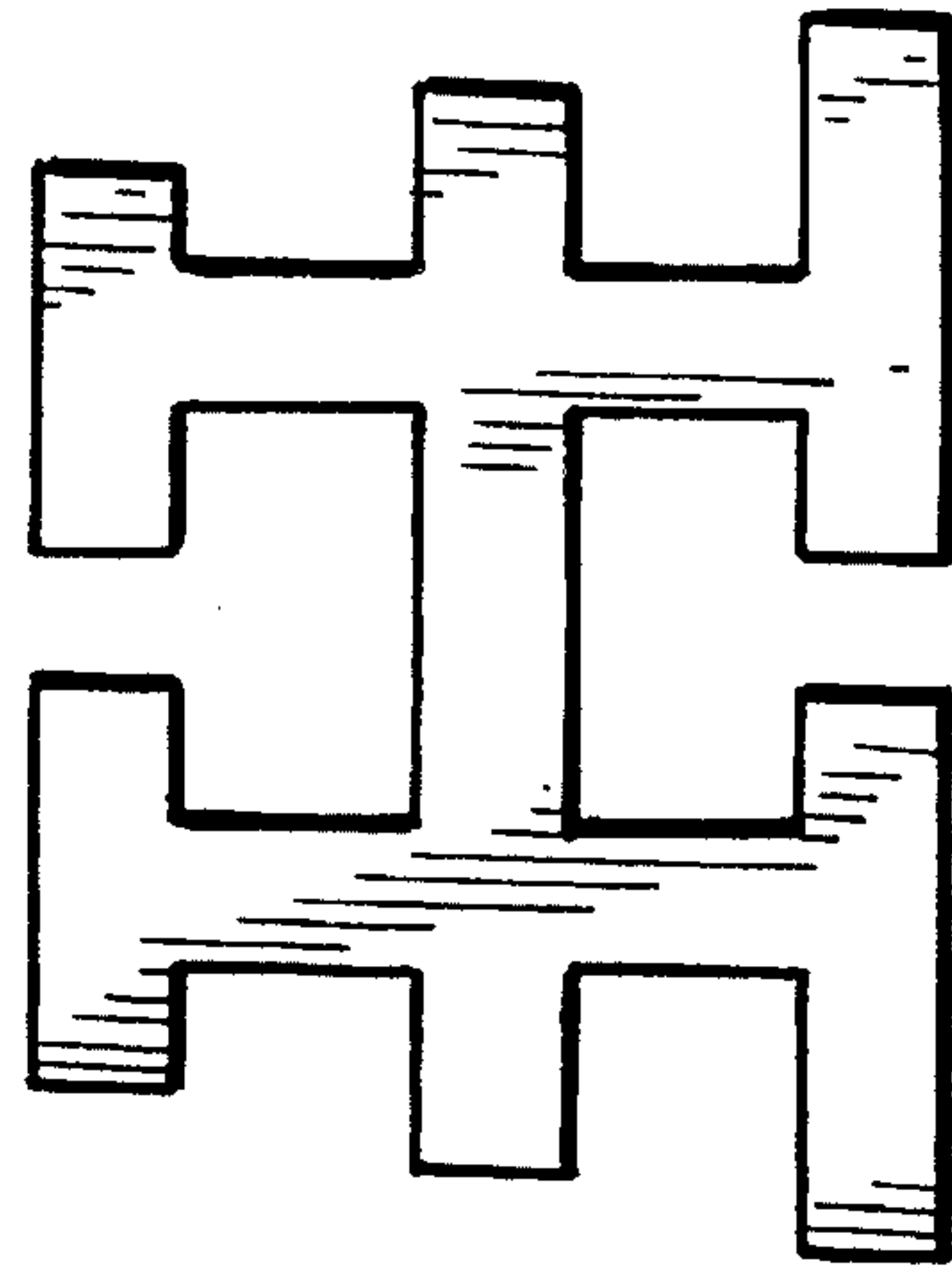
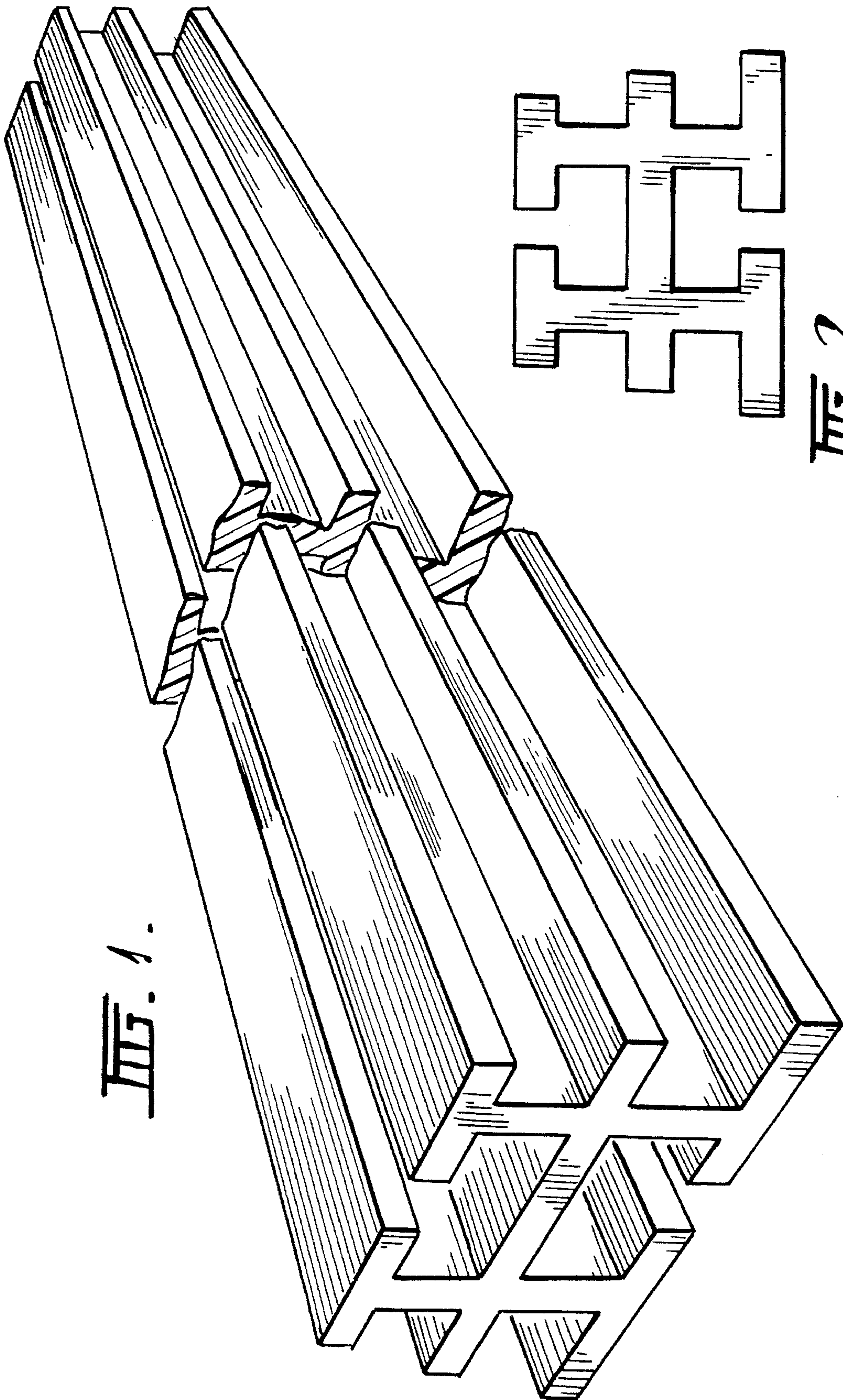
FIG. 13 is a top view of the embodiment shown in FIG. 11;

FIG. 14 is a side view of the embodiment shown in FIG. 11, the opposite side being identical to the side view; and,

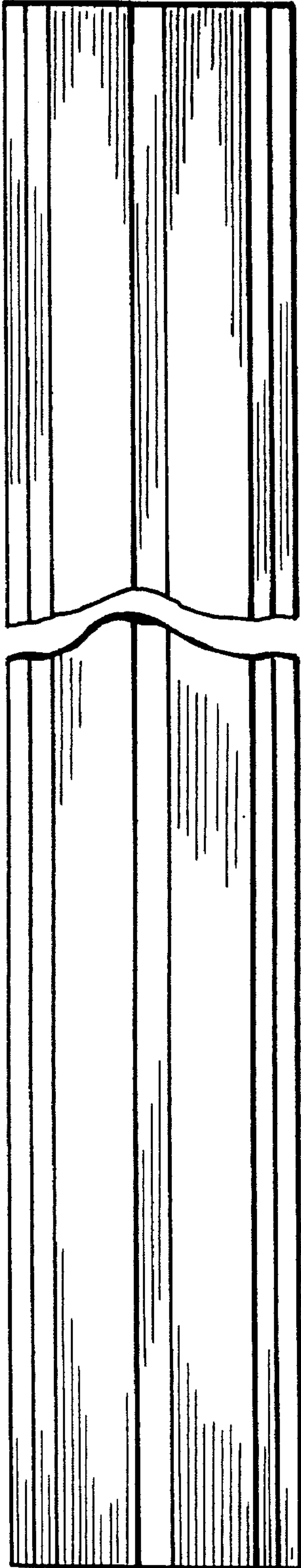
FIG. 15 is a bottom view of the embodiment shown in FIG. 1.

1 Claim, 8 Drawing Sheets

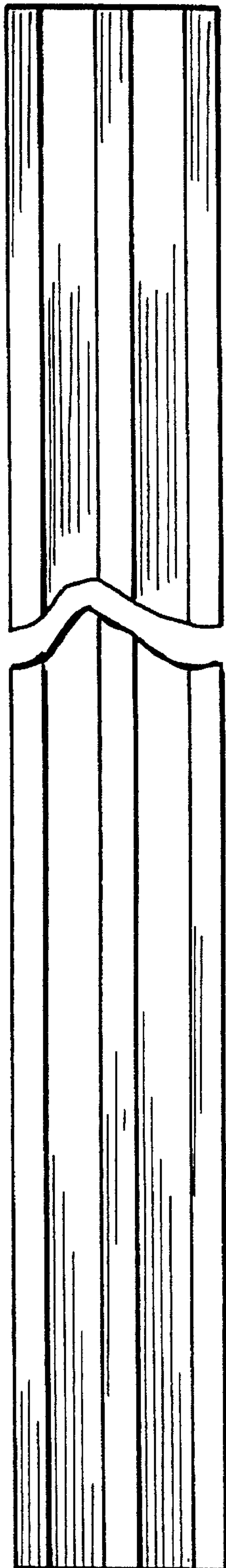




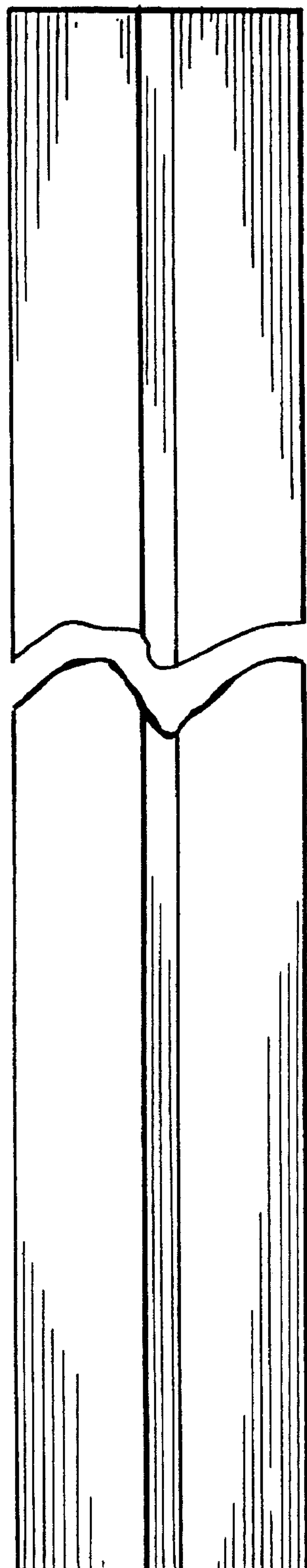
100.



III.3.



III.4.



III.5.

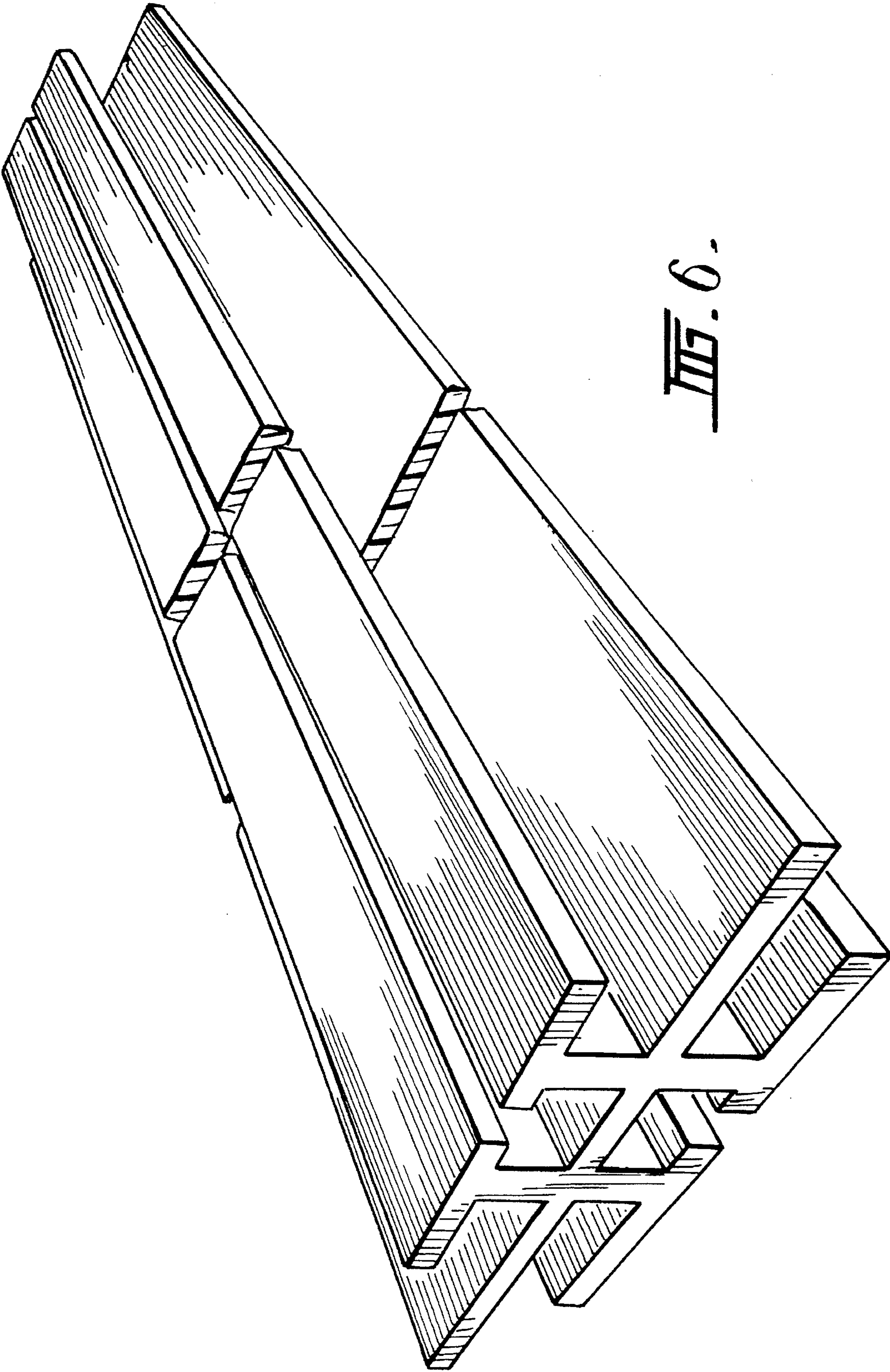


FIG. 6.

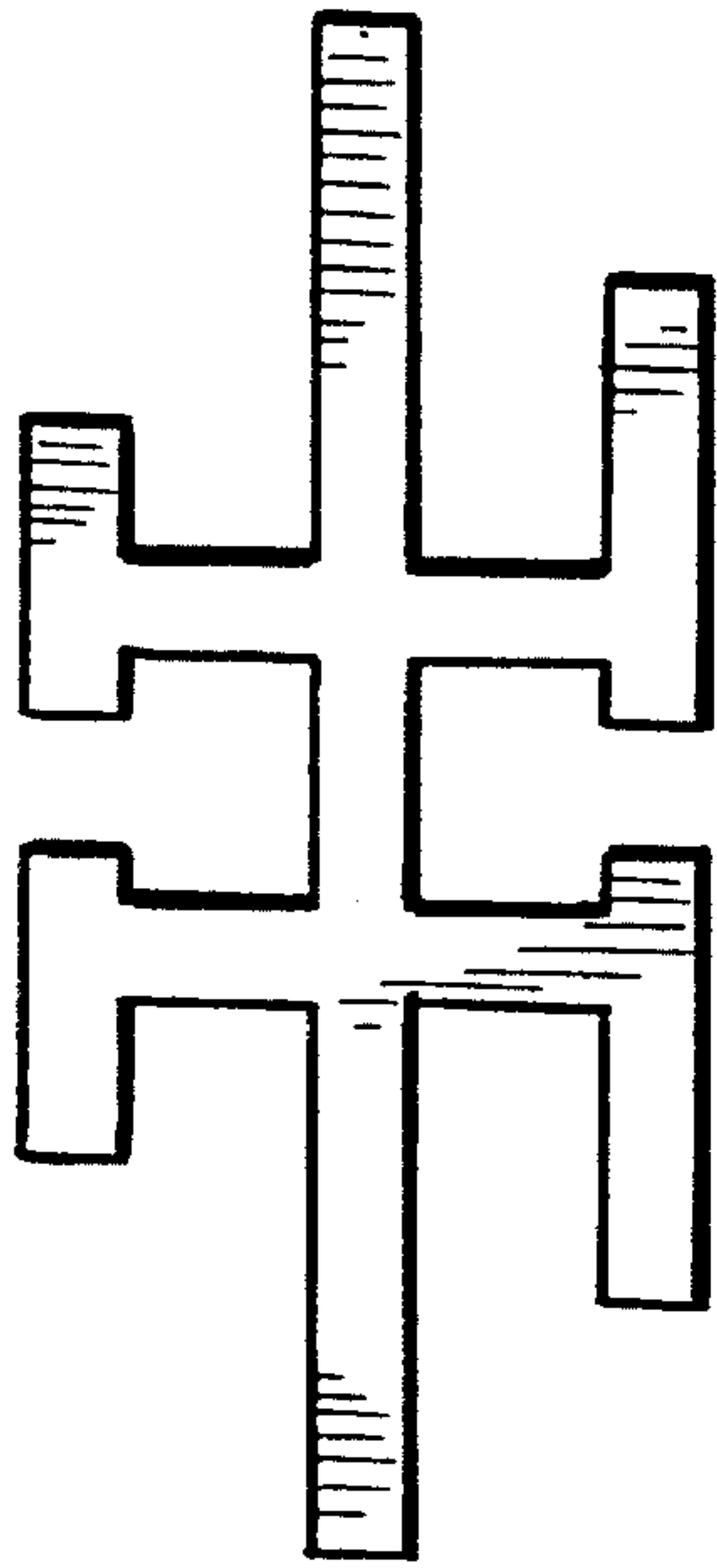


FIG. 7.

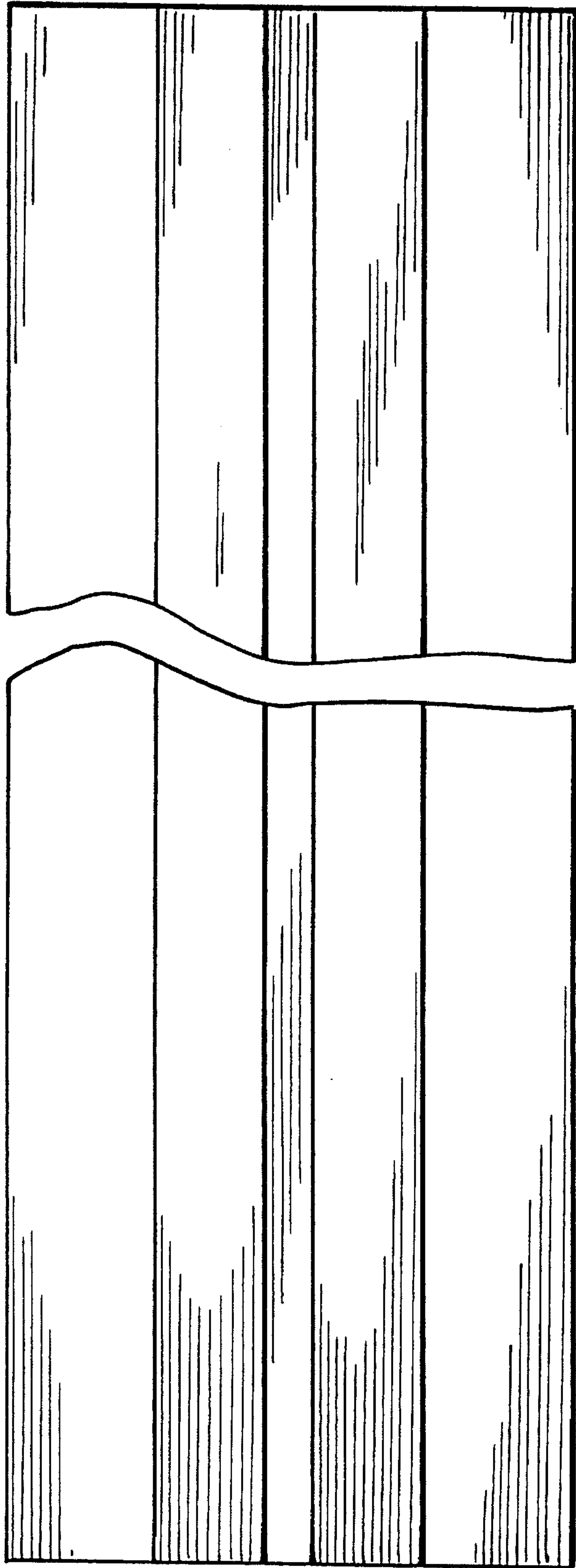


FIG. 8.

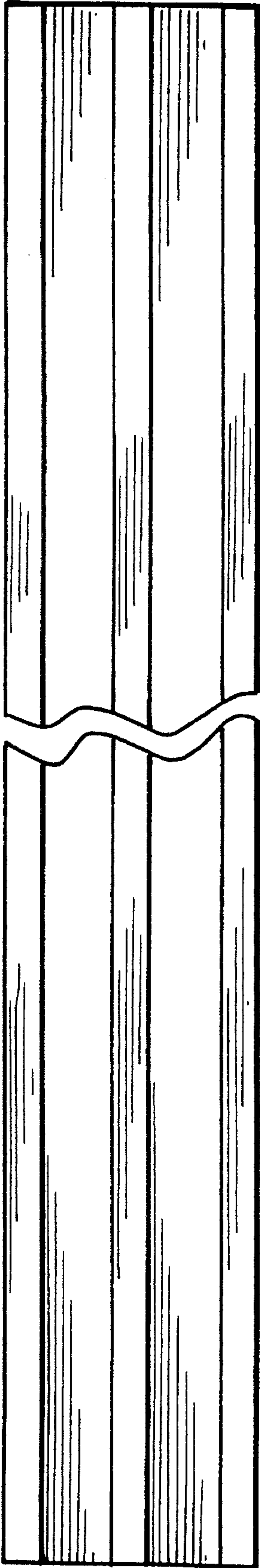


FIG. 9.

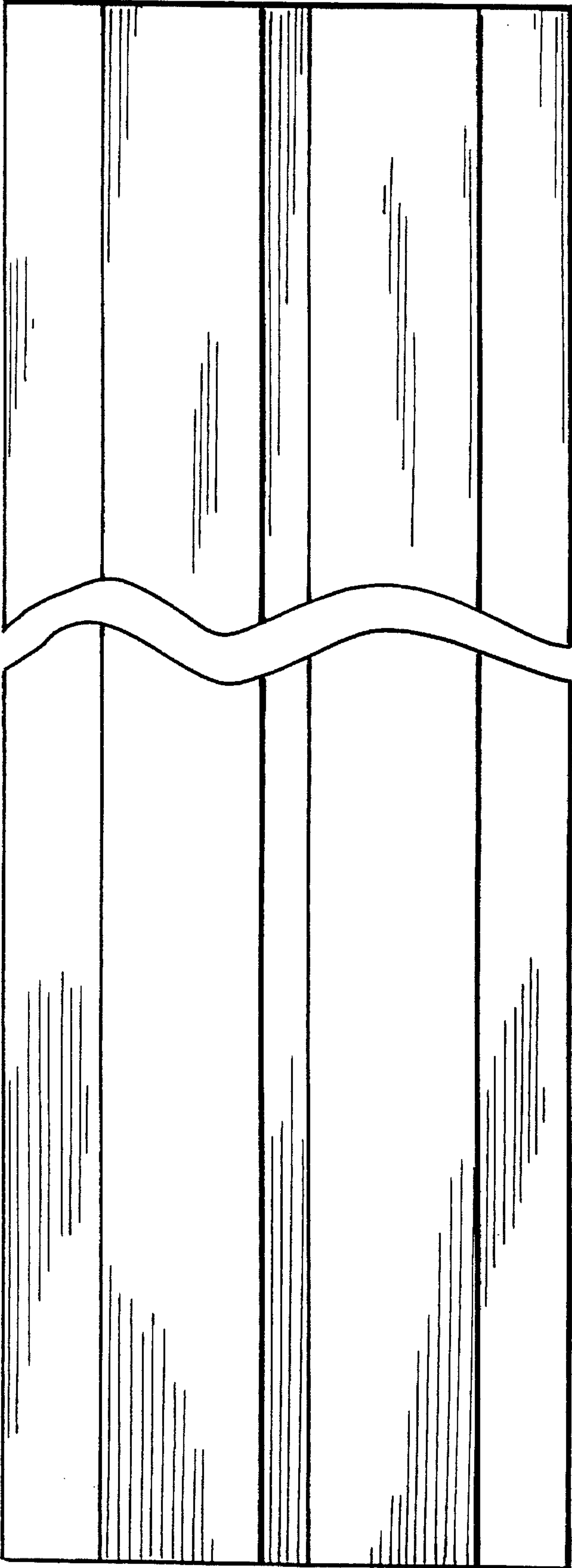
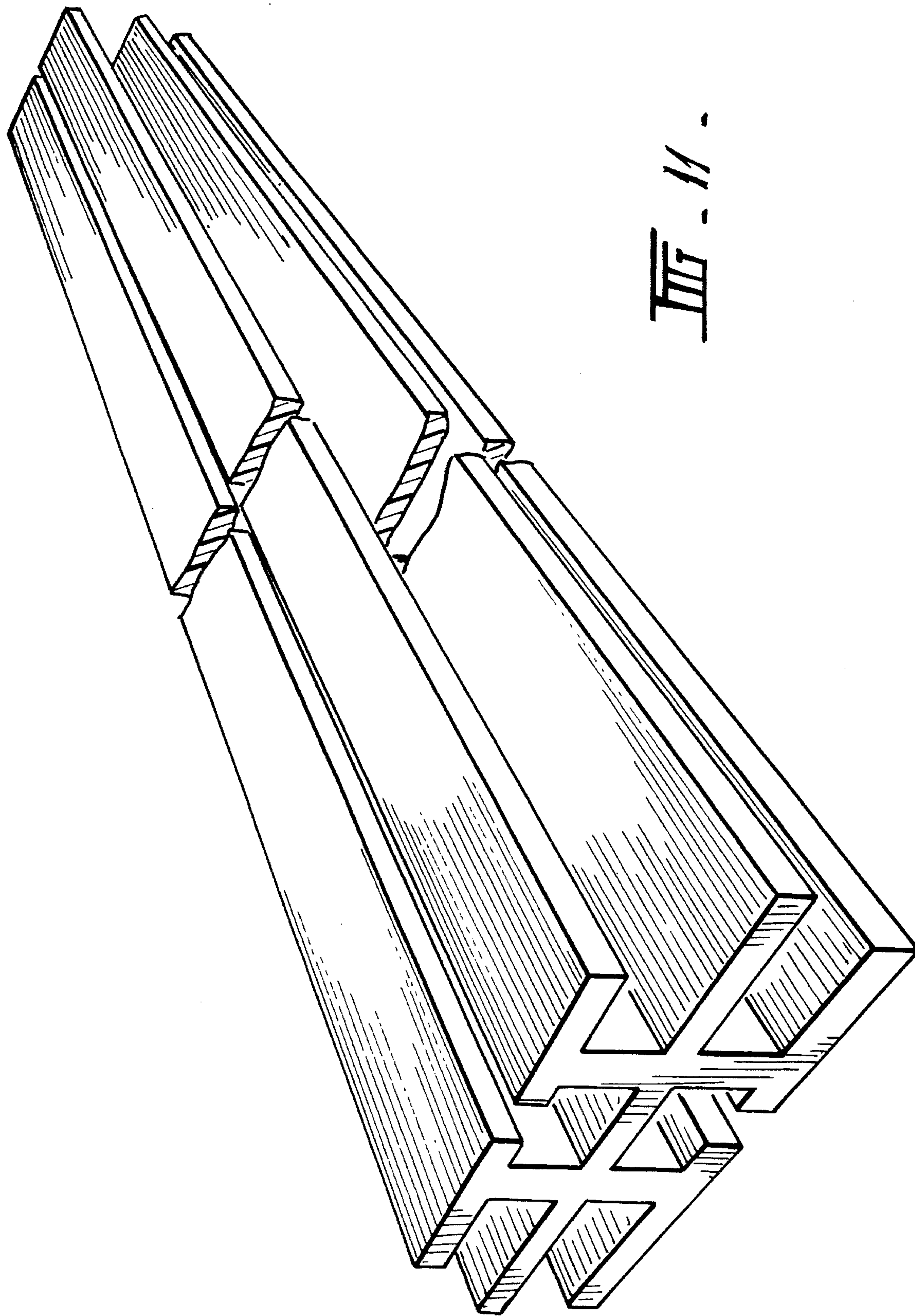
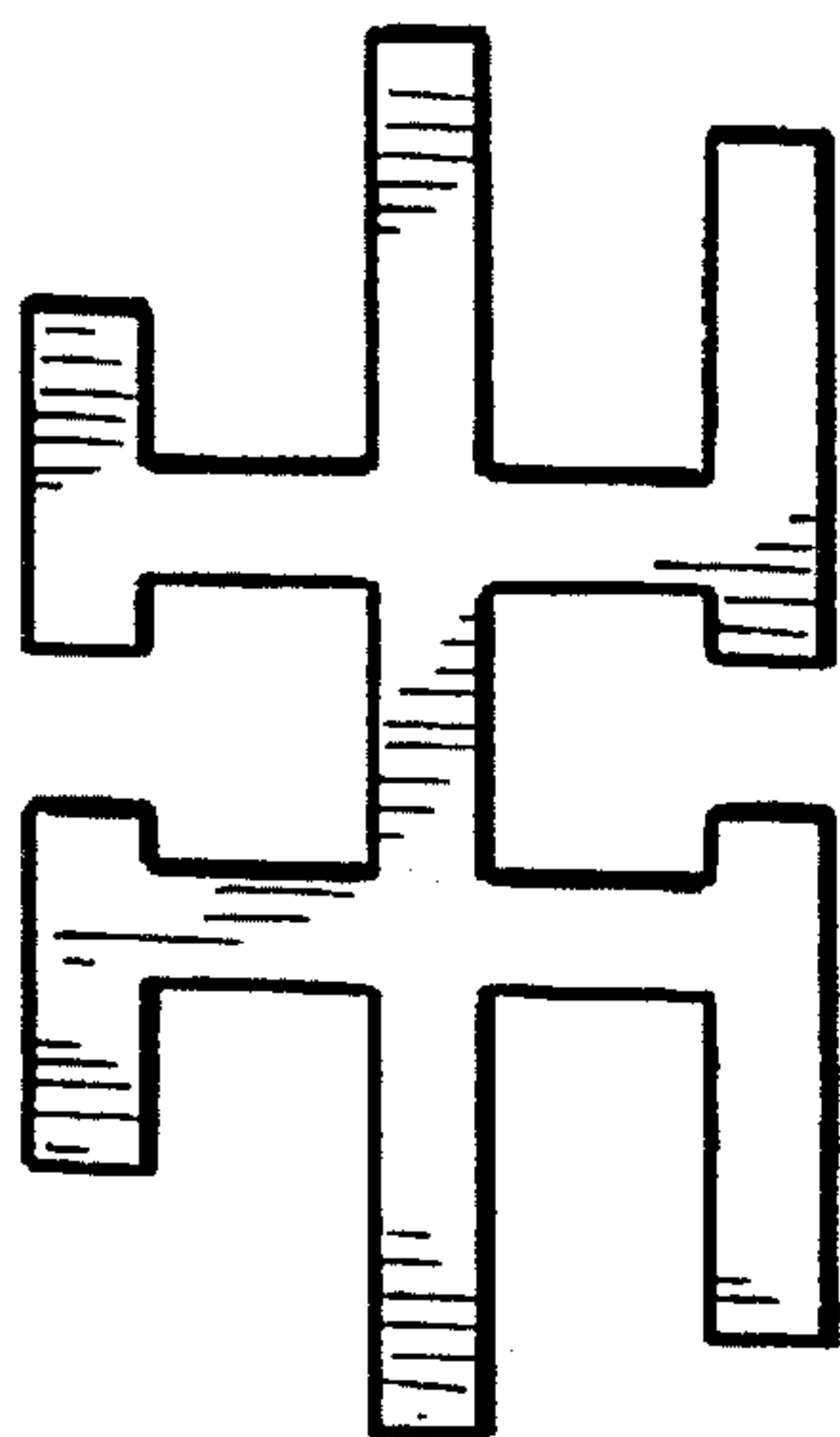
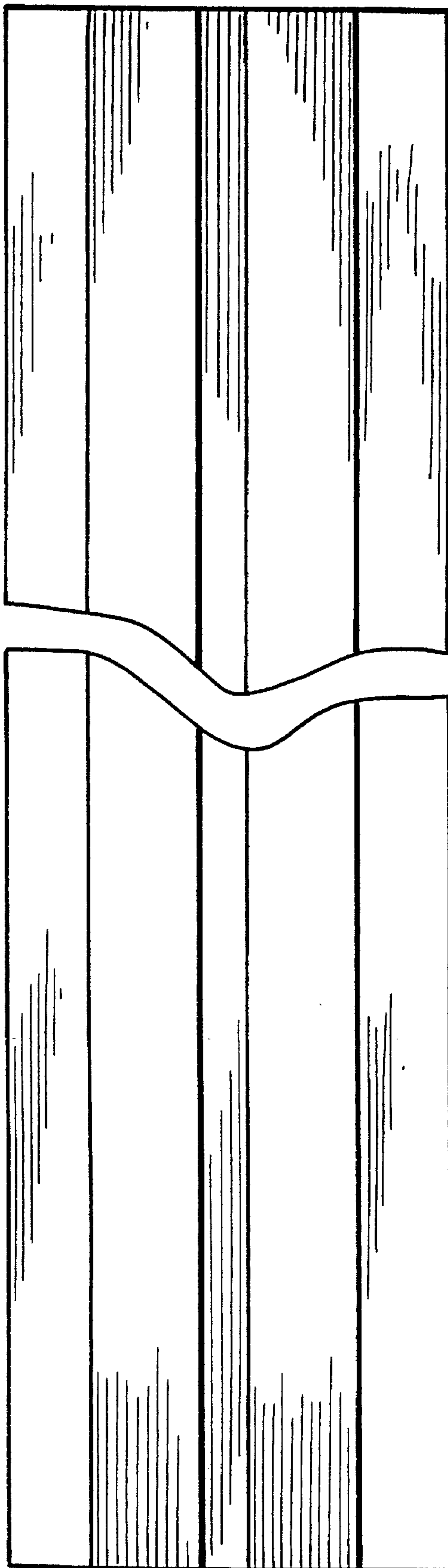


FIG. 10.





III-12.



III-13.

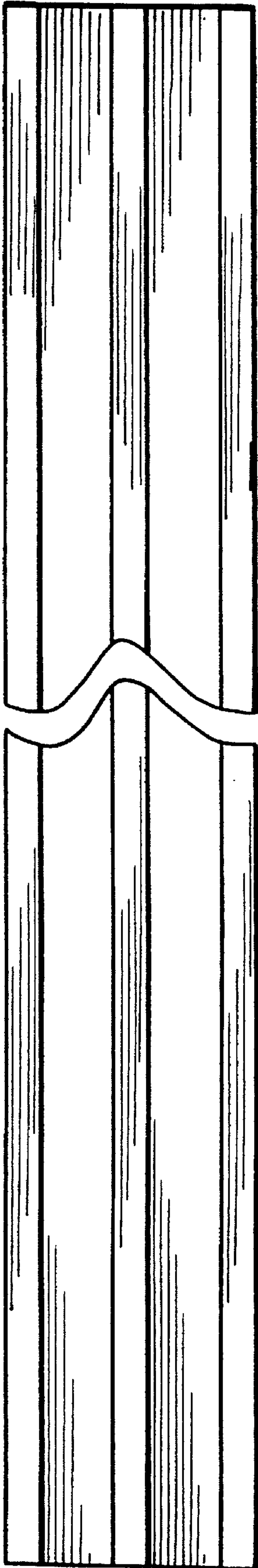


FIG. 14.

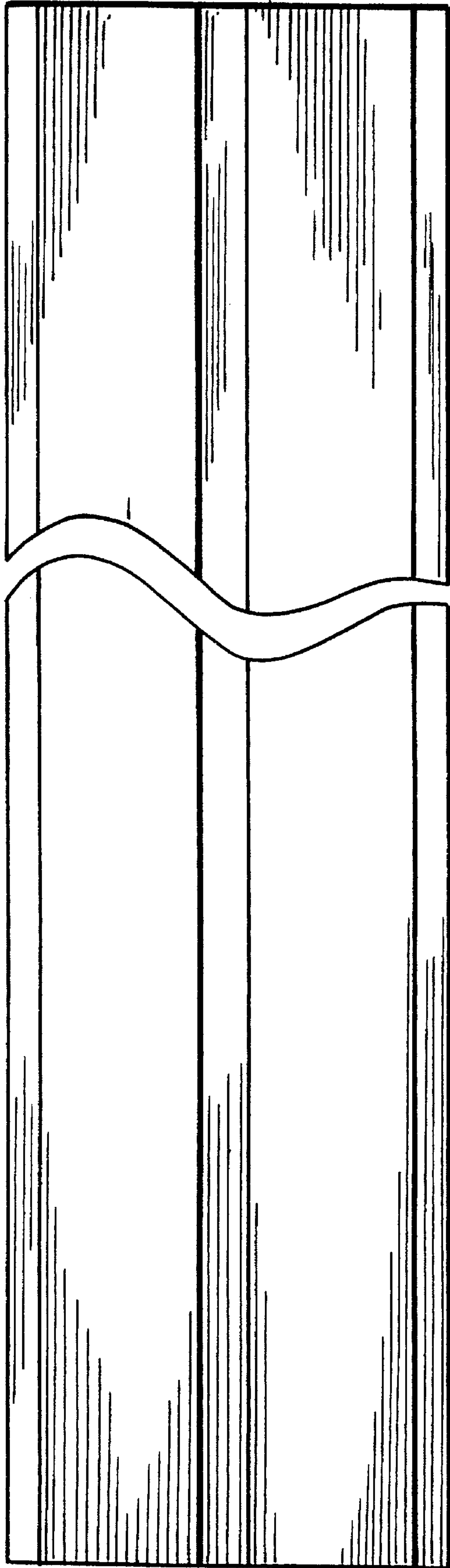


FIG. 15.