



US00D367838S

# United States Patent [19] Snook

[11] Patent Number: **Des. 367,838**

[45] Date of Patent: **\*\*Mar. 12, 1996**

[54] **WHEEL HUB**

4,138,160 2/1979 Lohmeyer ..... 301/108.5  
4,243,270 1/1981 Fenton et al. .... 301/37.29

[76] Inventor: **Steven J. Snook**, 3752 Helena Cir., La Verne, Calif. 91750-3238

*Primary Examiner*—James M. Gandy  
*Attorney, Agent, or Firm*—William L. Chapin

[\*\*] Term: **14 Years**

[57] **CLAIM**

[21] Appl. No.: **14,399**

The ornamental design for a wheel hub, as shown.

[22] Filed: **Oct. 21, 1993**

**DESCRIPTION**

[52] U.S. Cl. .... **D12/207**

[58] Field of Search ..... D12/207; 301/37.29,  
301/105.1, 108.1, 108.5

FIG. 1 is a perspective view of the wheel hub of the present invention;

FIG. 2 is a front elevation view thereof;

FIG. 3 is a side elevation view thereof; and,

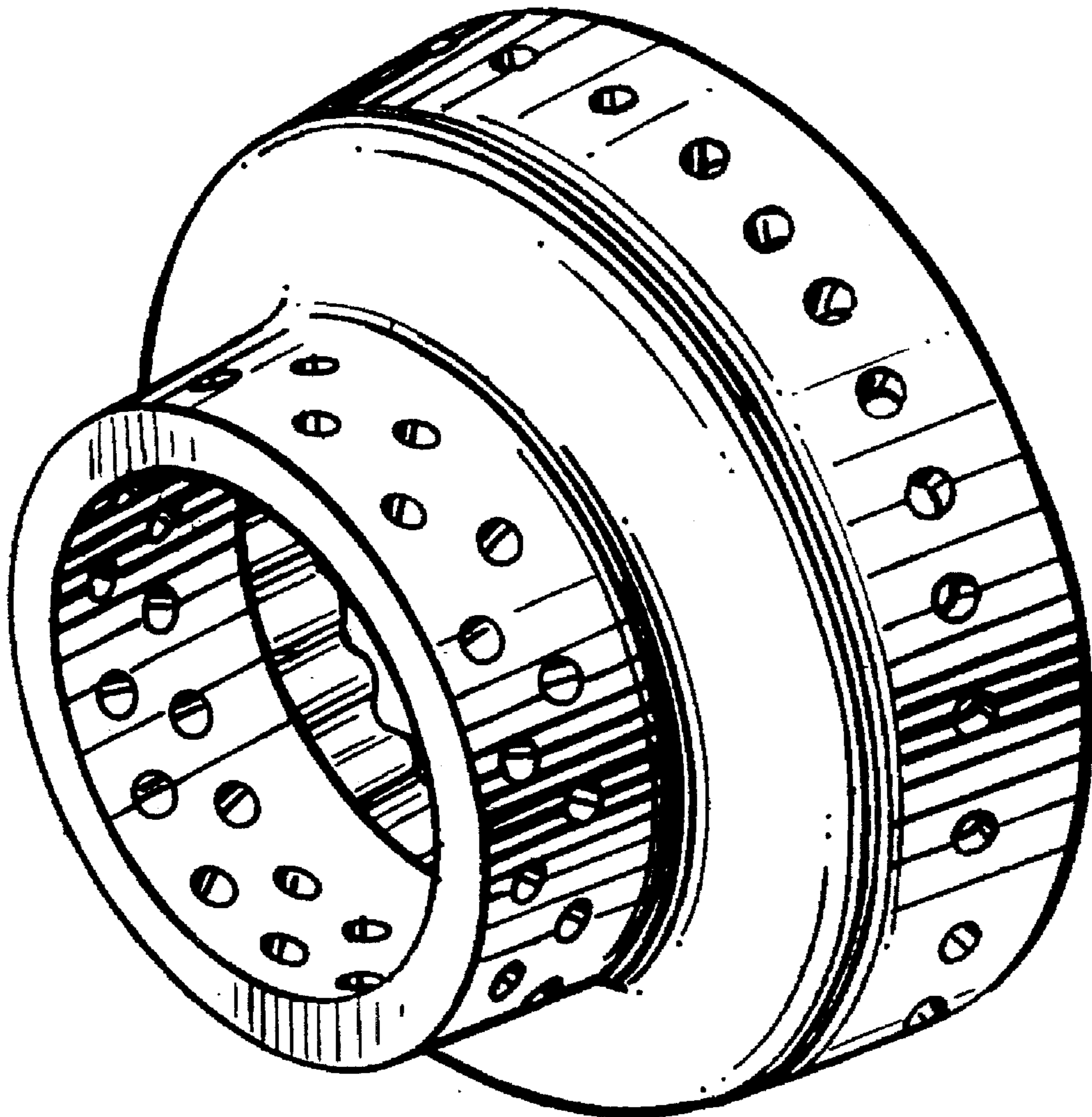
FIG. 4 is a rear elevation view thereof.

[56] **References Cited**

**U.S. PATENT DOCUMENTS**

1,960,469 5/1934 White ..... 301/108.1

**1 Claim, 1 Drawing Sheet**



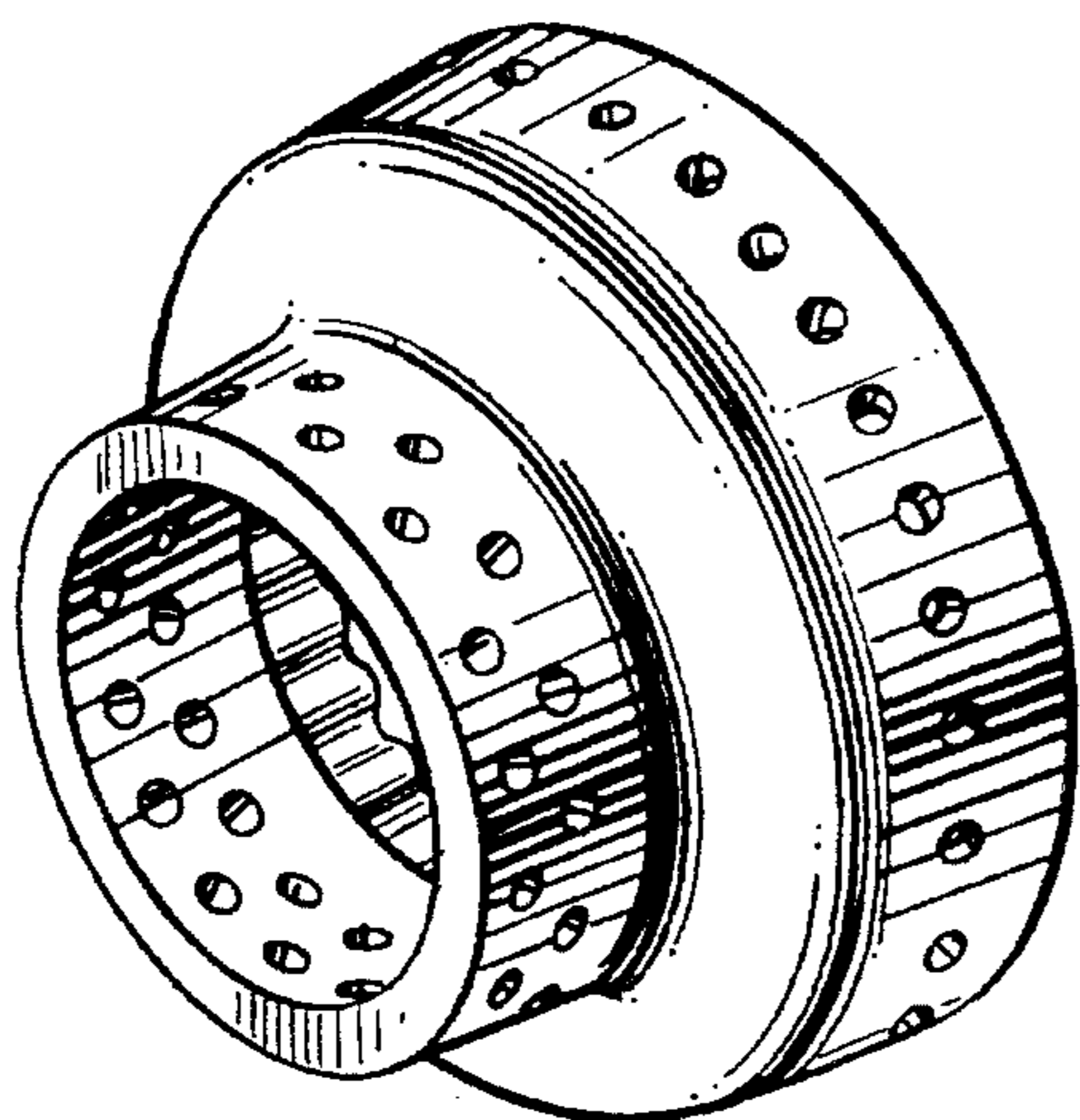


FIG. 1

FIG. 2

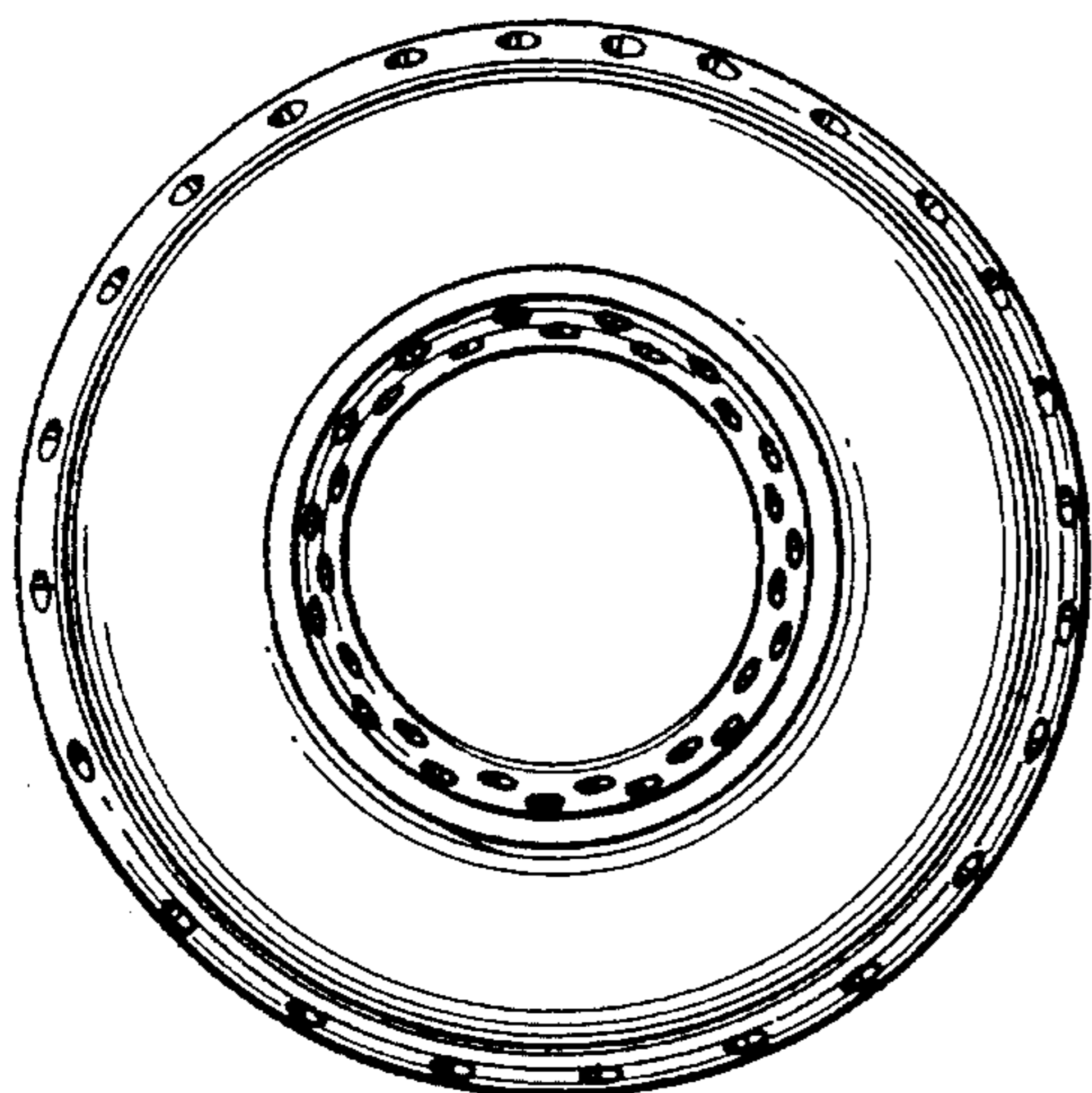


FIG. 3

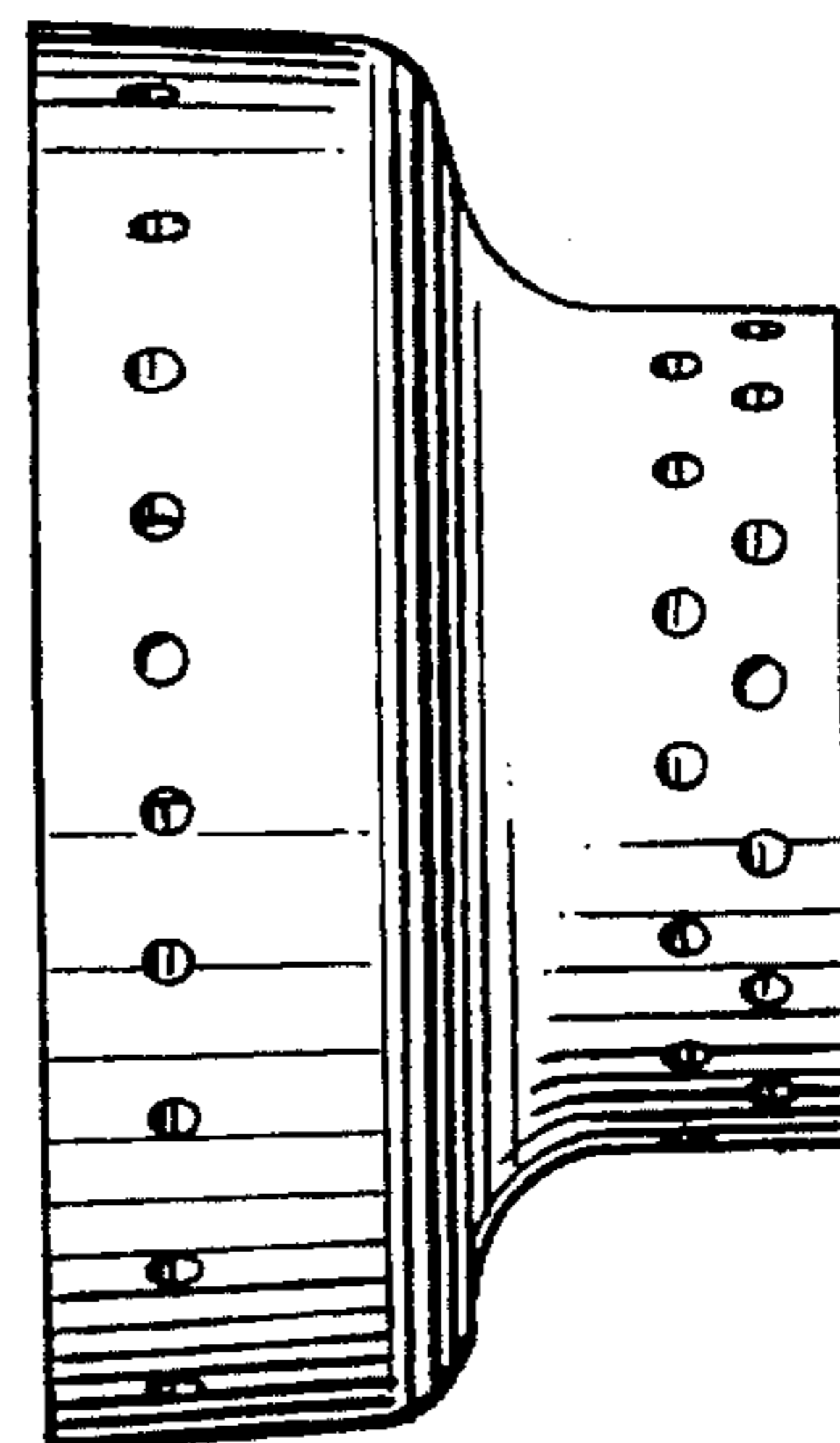


FIG. 4

