



US00D367834S

United States Patent [19]
Beavers et al.

[11] **Patent Number: Des. 367,834**
[45] **Date of Patent: **Mar. 12, 1996**

[54] **SEAT FOR A WALKER**

4,907,839 3/1990 Rose et al. 297/6

[76] Inventors: **James Beavers**, 1456 E. 116th St.,
Cleveland, Ohio 44106; **Cecil R. Embry**, 3396 E. 110th St., Cleveland,
Ohio 44104

Primary Examiner—Kay H. Chin
Attorney, Agent, or Firm—James A. Hudak

[**] Term: **14 Years**

[57] **CLAIM**

The ornamental design for a seat for a walker, as shown and described.

[21] Appl. No.: **37,084**

DESCRIPTION

[22] Filed: **Apr. 3, 1995**

FIG. 1 is a perspective view of the seat for a walker showing our new design;

[52] U.S. Cl. **D12/133; D6/406; D7/698**

FIG. 2 is a front elevational view thereof;

[58] **Field of Search** D12/128–133;
297/6, 5; 135/65, 67, 72, 73, 74; D6/406;
D7/698

FIG. 3 is a rear elevational view thereof;

FIG. 4 is a left side elevational view thereof, the right side elevational view being a mirror image of the view shown in this Figure; and,

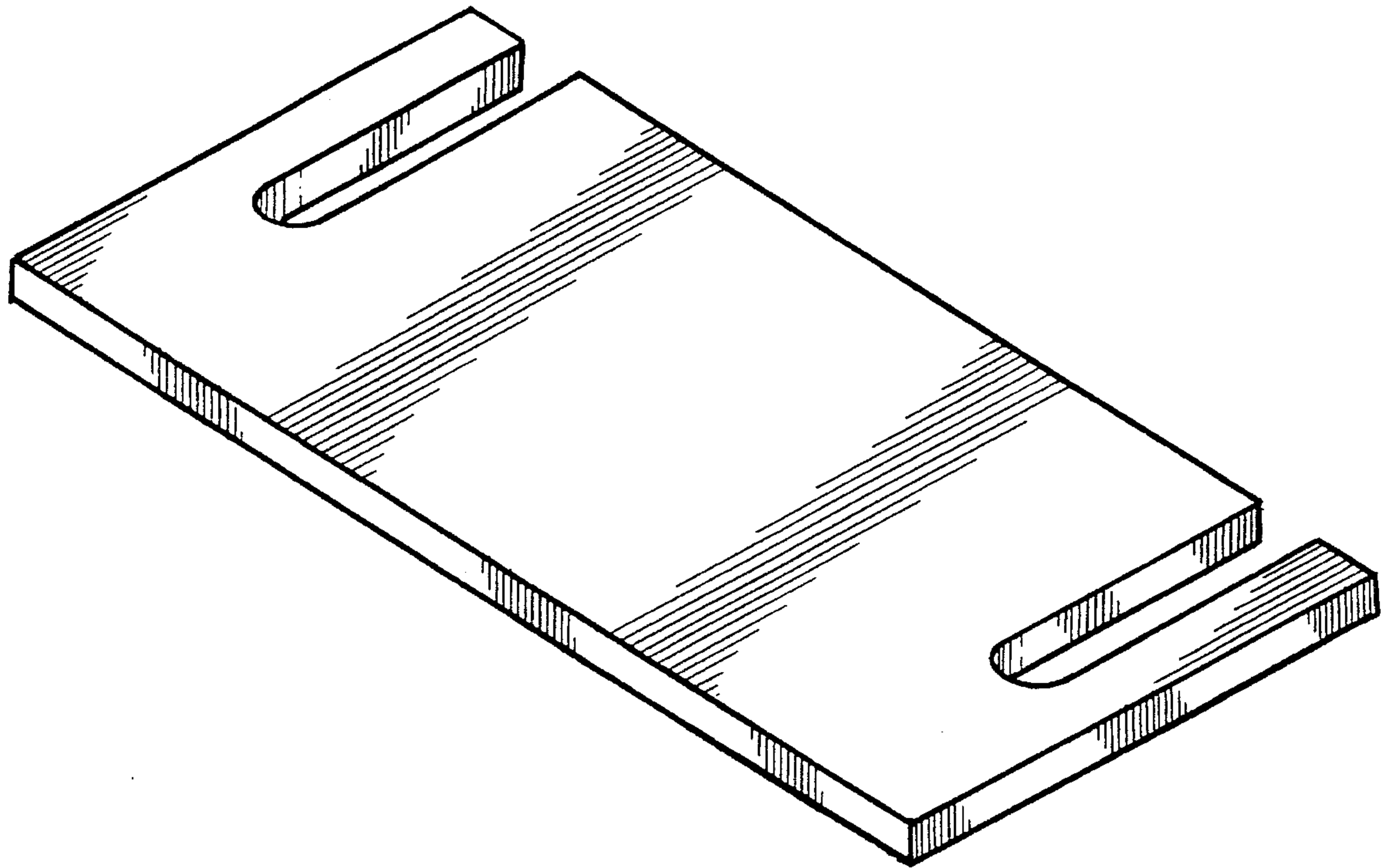
[56] **References Cited**

U.S. PATENT DOCUMENTS

D. 326,211 5/1992 Allen D7/698
4,826,240 5/1989 Karpiuk 135/67

FIG. 5 is a top plan view thereof, the bottom plan view being a mirror image of the view shown in this Figure.

1 Claim, 2 Drawing Sheets



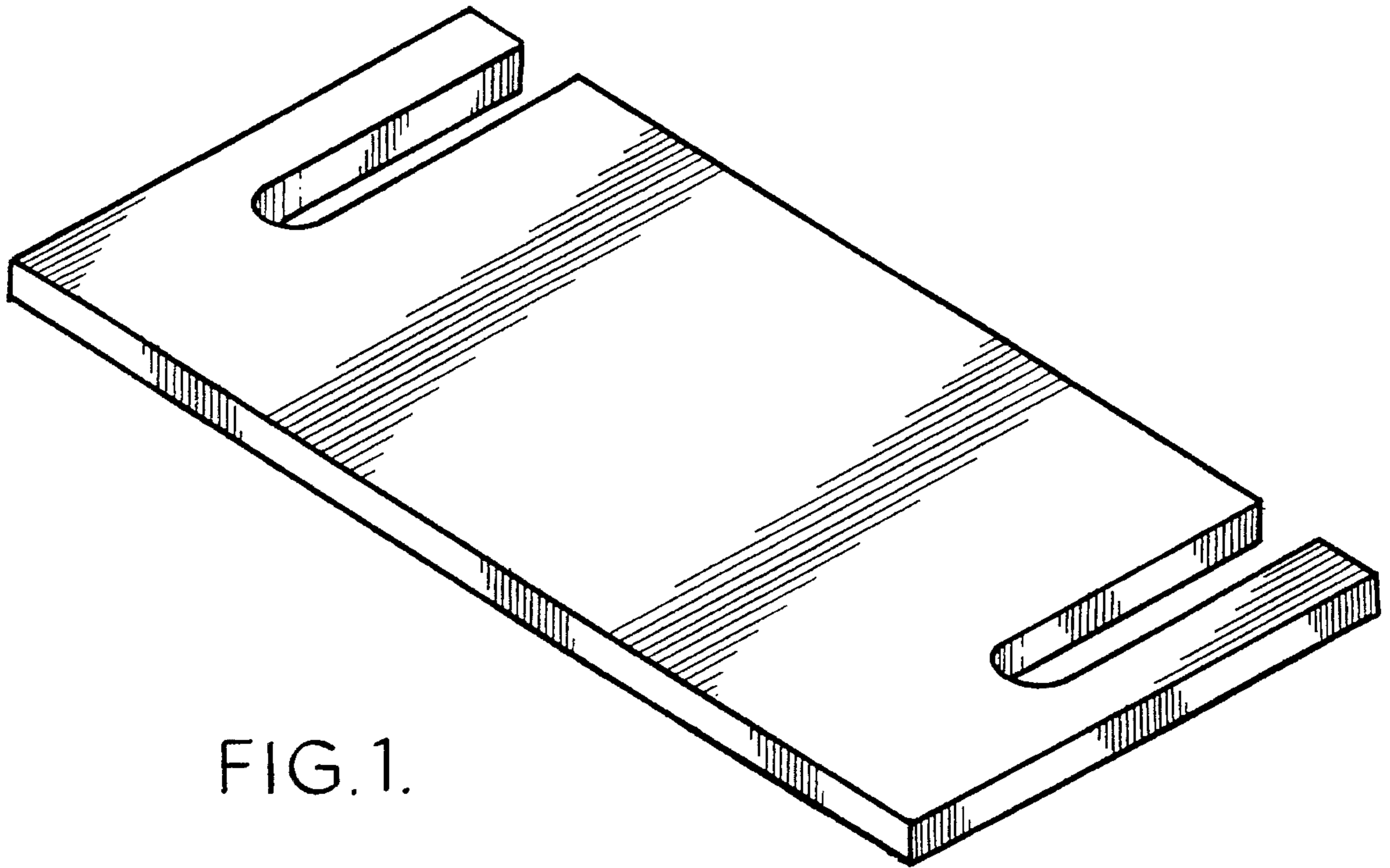


FIG. 1.

FIG. 2



FIG. 3

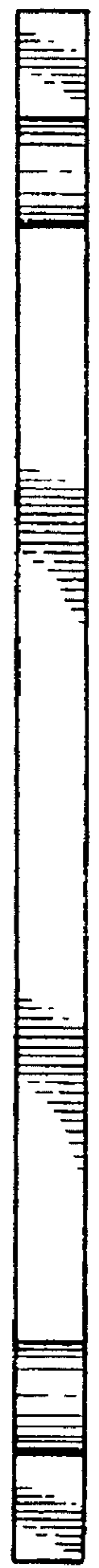


FIG. 4



FIG. 5

