



US00D367833S

United States Patent [19]

Ahlbertz

[11] Patent Number: **Des. 367,833**

[45] Date of Patent: ****Mar. 12, 1996**

[54] **ROLLING WALKER**

D. 360,174 7/1995 Kjell et al. D12/128

[75] Inventor: **Anders Ahlbertz**, Almedahlsvägen, Sweden

Primary Examiner—Kay H. Chin
Attorney, Agent, or Firm—Antonelli, Terry, Stout & Kraus

[73] Assignee: **Dolomite Svenska AB**, Anderstorp, Sweden

[57] **CLAIM**

[**] Term: **14 Years**

The ornamental design for a rolling walker, as shown and described.

[21] Appl. No.: **37,942**

DESCRIPTION

[22] Filed: **Apr. 25, 1995**

FIG. 1 is a perspective view of the rolling waker showing my new design;

[30] **Foreign Application Priority Data**

FIG. 2 is a right side elevational view thereof;

Oct. 26, 1994 [SE] Sweden 942144

FIG. 3 is a left side elevational view thereof;

[52] **U.S. Cl.** **D12/130; D12/128**

FIG. 4 is a front elevational view thereof;

[58] **Field of Search** D12/128-133;
297/5, 6; 280/647, 643; 135/65, 67, 72,
74, 73

FIG. 5 is a rear elevational view thereof;

FIG. 6 is a top plan view thereof;

FIG. 7 is a bottom plan view thereof;

FIG. 8 is a perspective view of a second embodiment of the rolling walker; and,

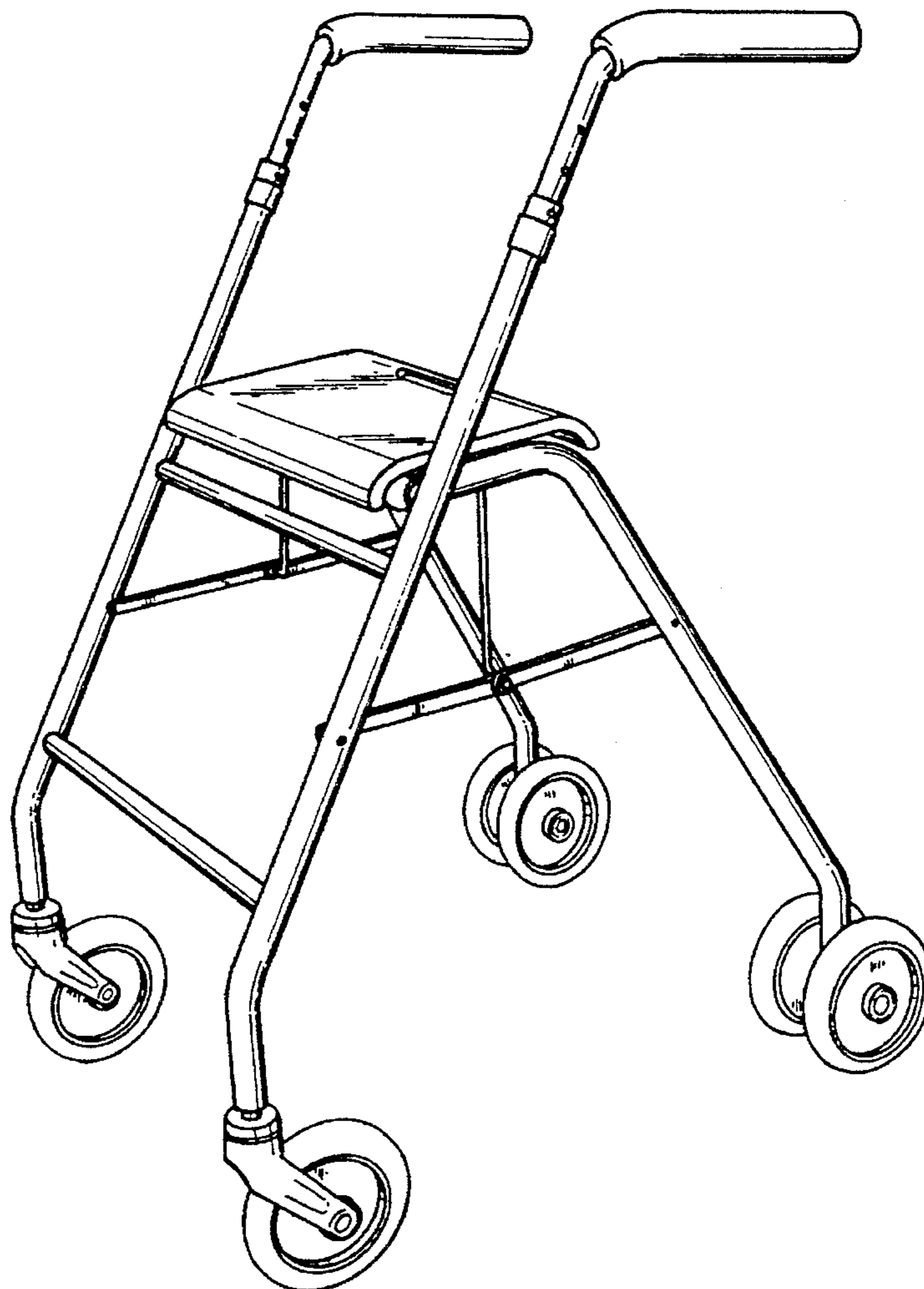
FIG. 9 is a perspective view of the rolling walker of FIG. 8.

[56] **References Cited**

U.S. PATENT DOCUMENTS

D. 312,061 11/1990 Smith D12/130

1 Claim, 5 Drawing Sheets



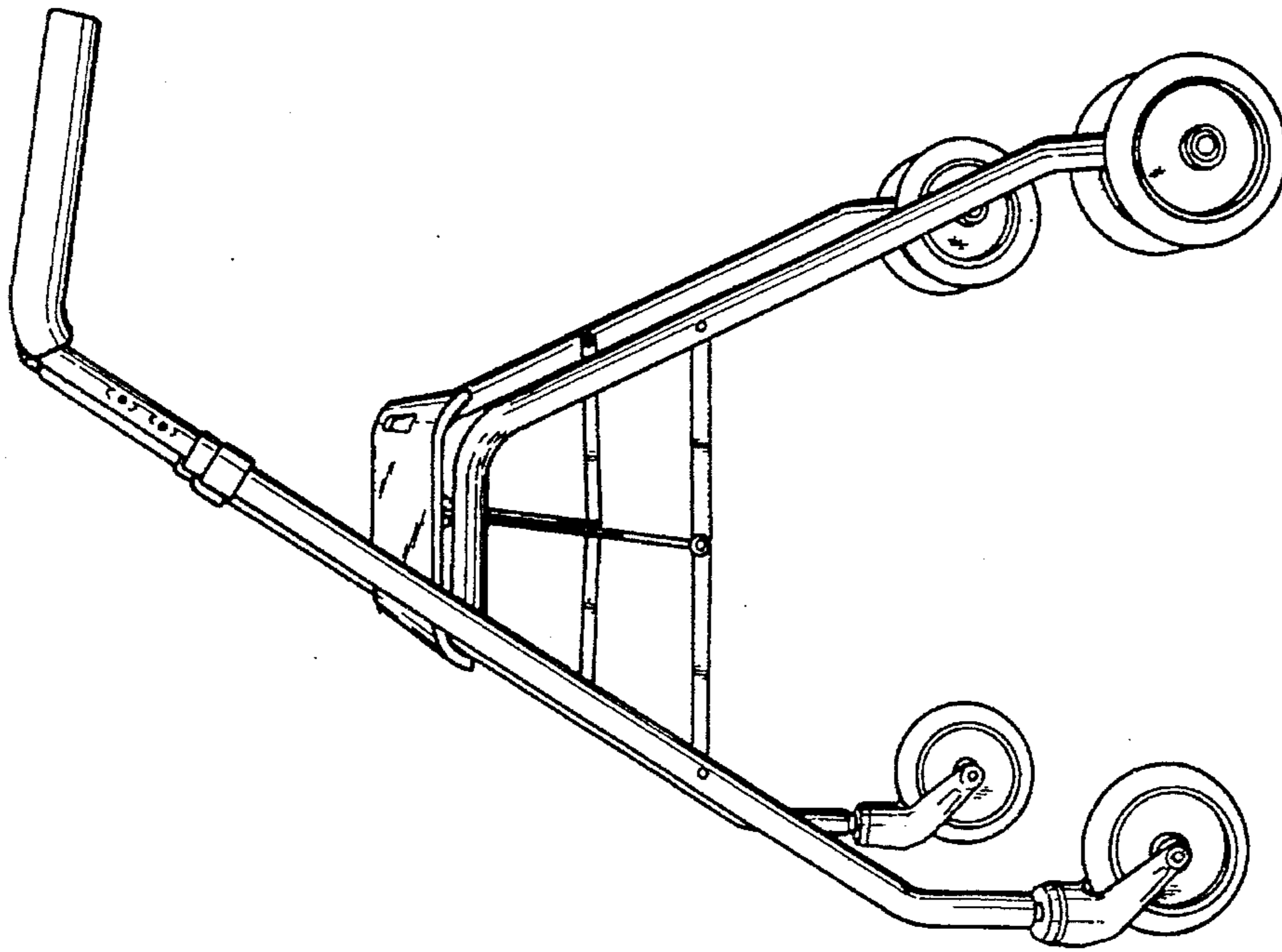


Fig. 2

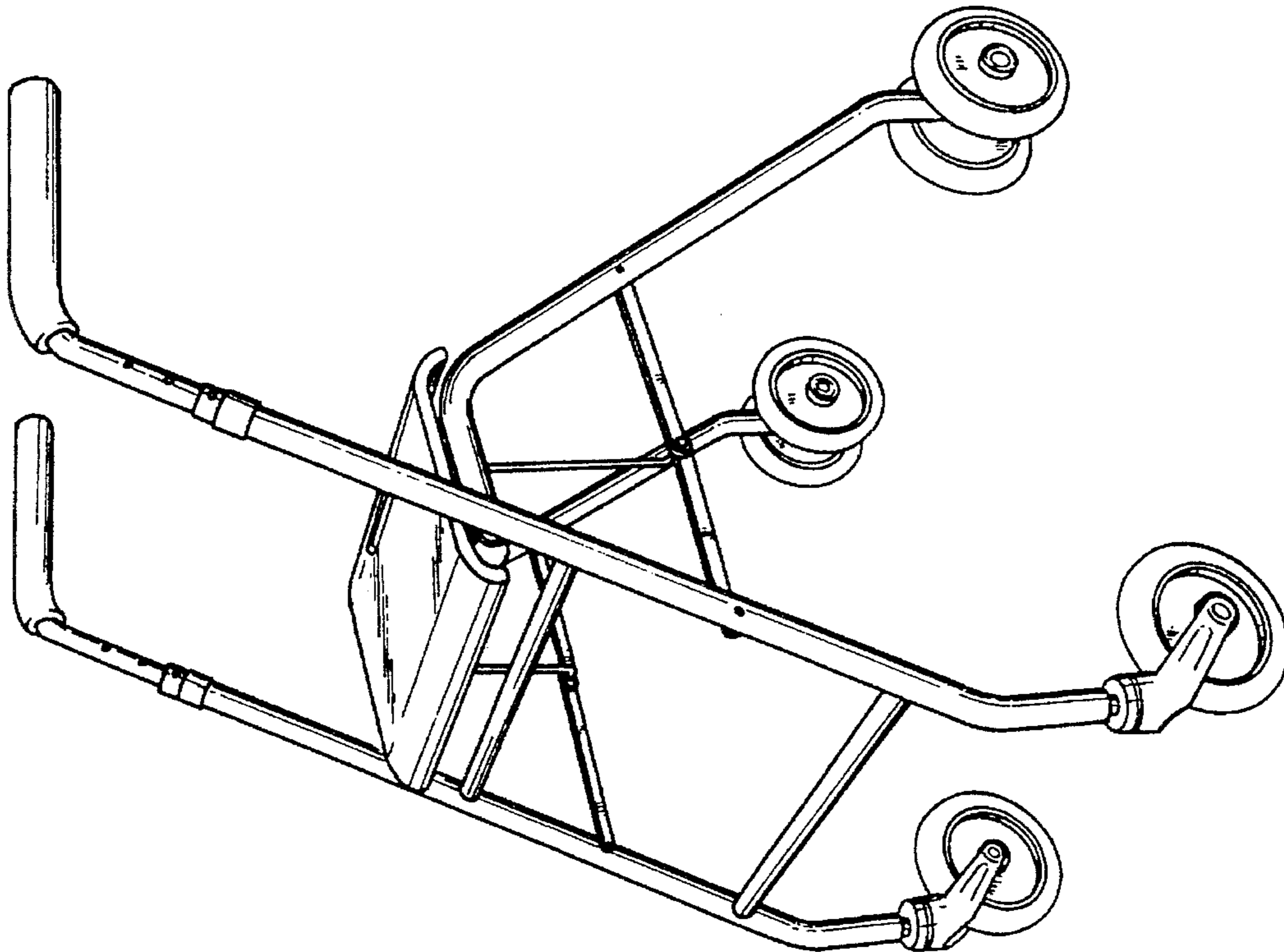


Fig. 1

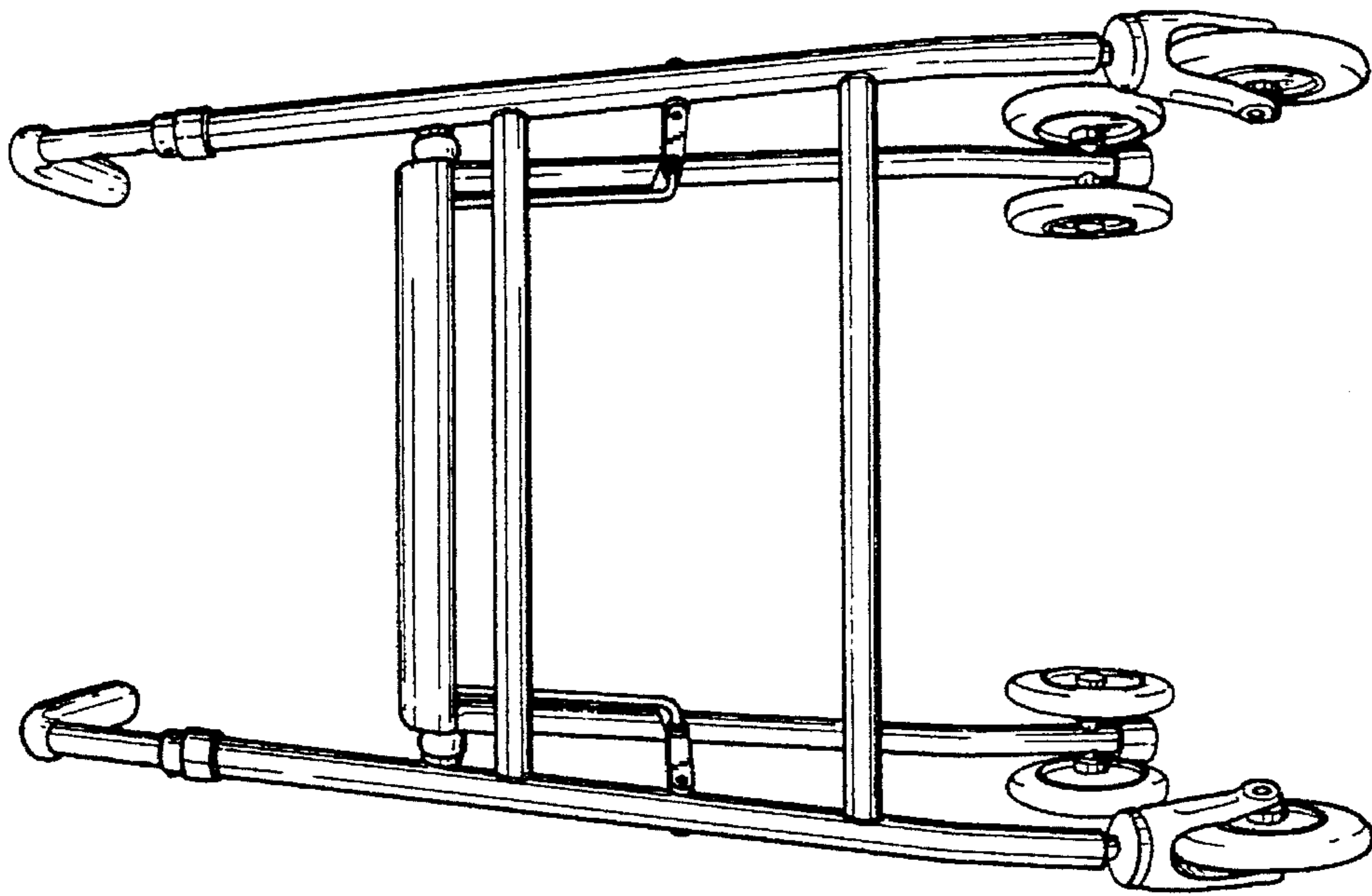


Fig. 4

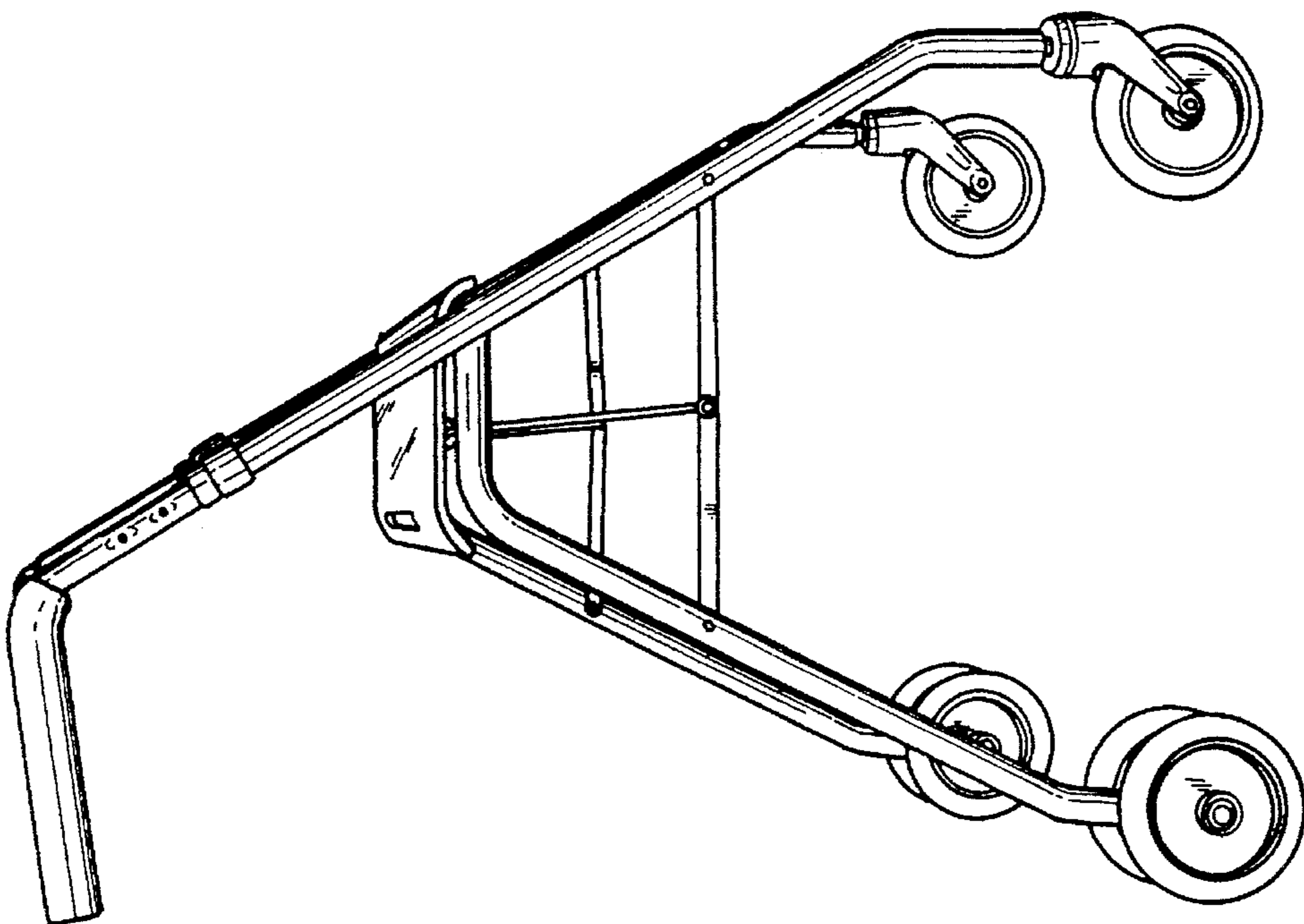


Fig. 3

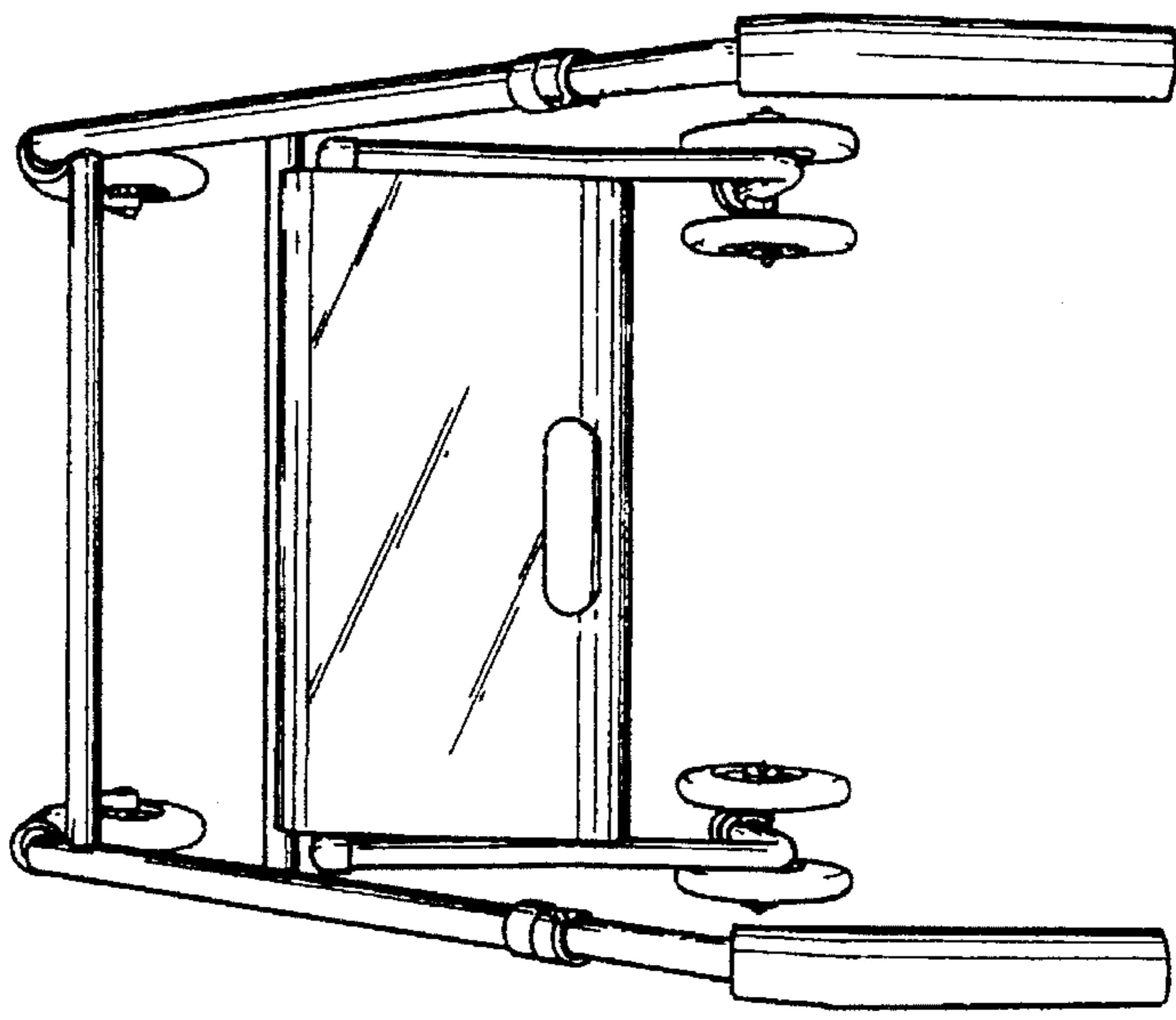


Fig. 6

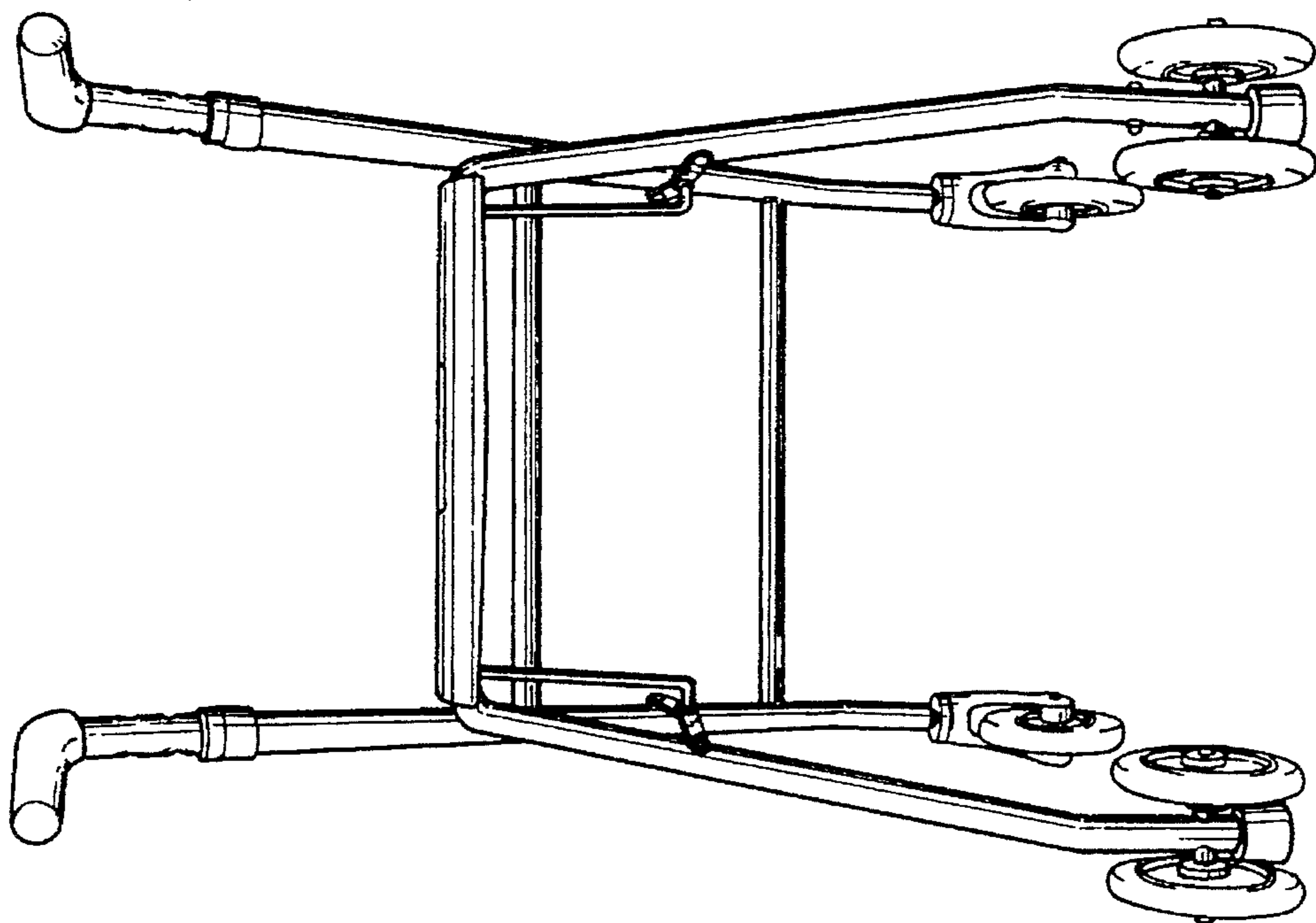


Fig. 5

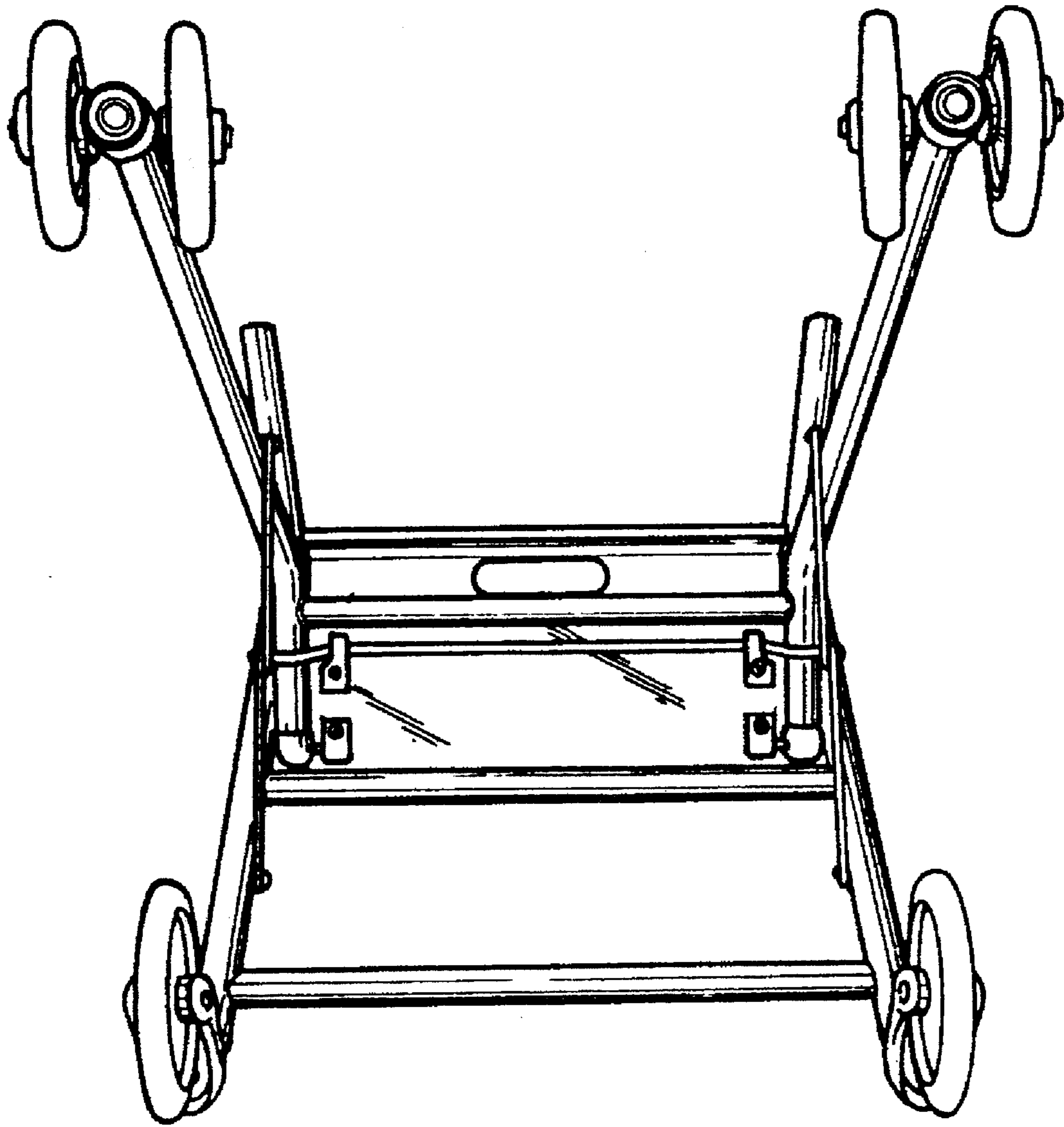


Fig. 7

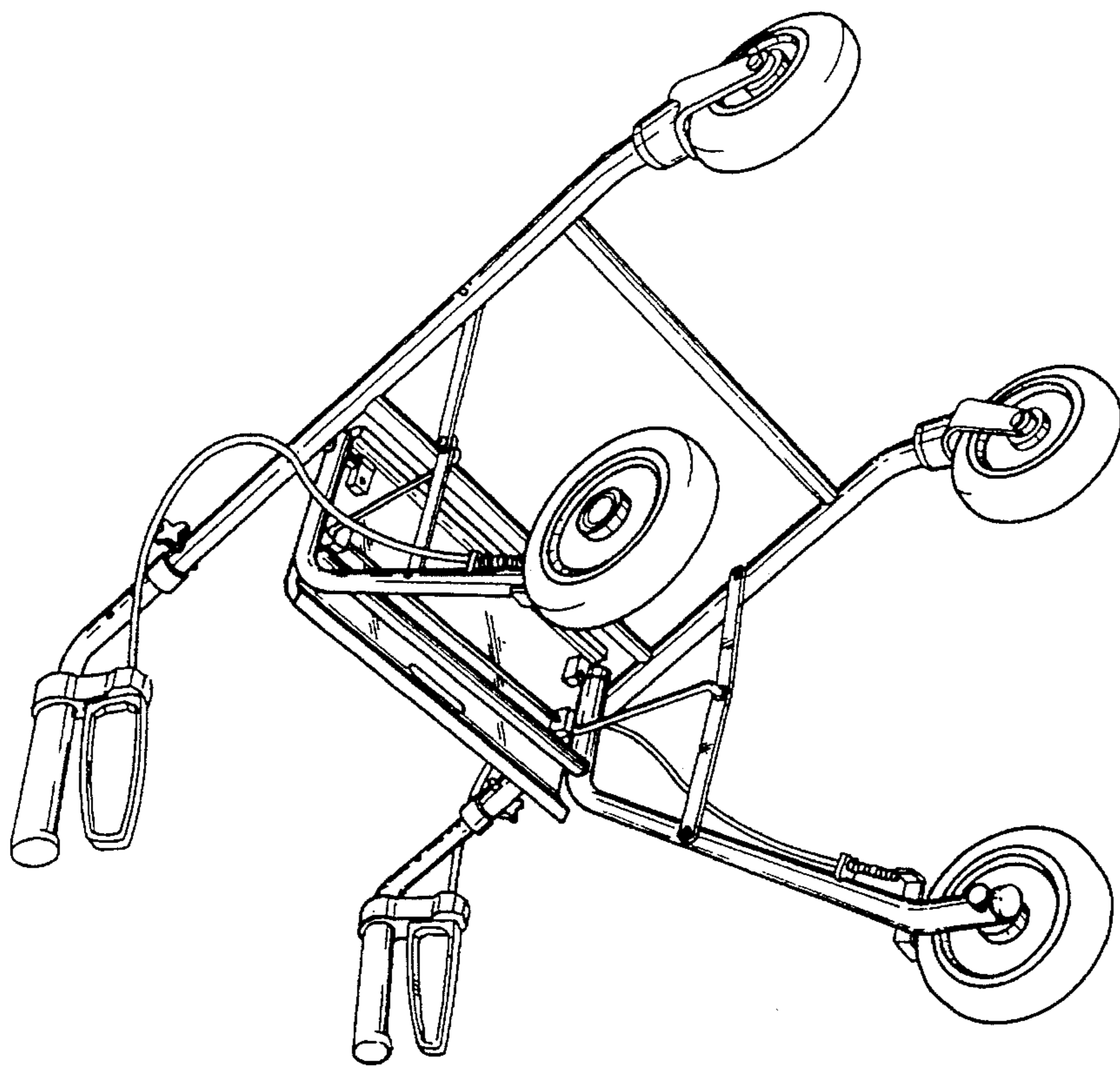


Fig. 9

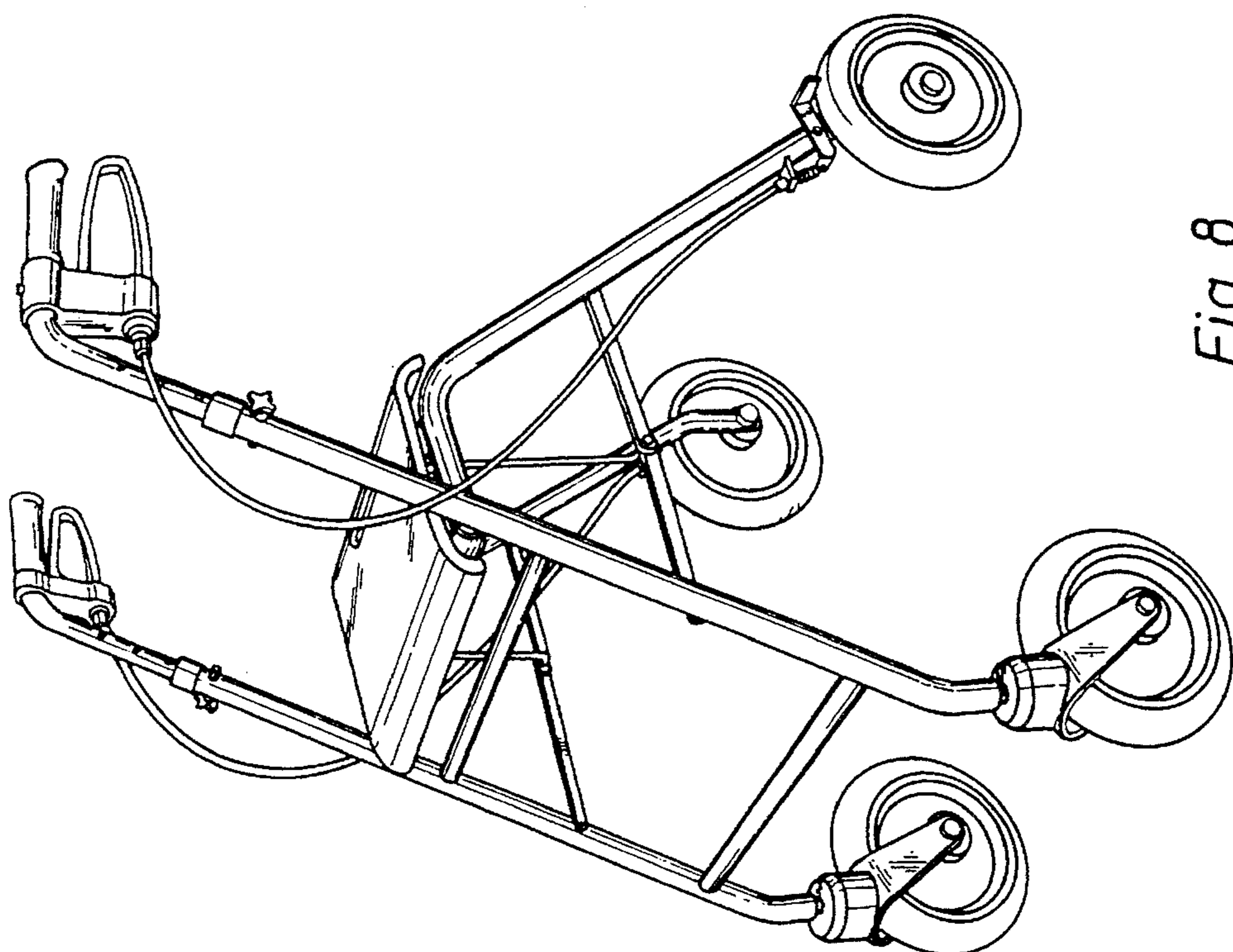


Fig. 8