



US00D367832S

**United States Patent** [19]  
**Melita**

[11] **Patent Number: Des. 367,832**

[45] **Date of Patent: \*\*Mar. 12, 1996**

[54] **CHIROPRACTIC BICYCLE TRAINER**

[76] Inventor: **Michael Melita**, 36 Valley Stream St.,  
Islip Terrace, N.Y. 11752

[\*\*] Term: **14 Years**

[21] Appl. No.: **24,459**

[22] Filed: **Jun. 13, 1994**

[52] U.S. Cl. .... **D12/114**

[58] **Field of Search** ..... D12/114, 111,  
D12/112; 280/293, 299, 288.4, 304.3, 204,  
304; 135/65-72

[56] **References Cited**

**U.S. PATENT DOCUMENTS**

D. 329,831	9/1992	Chambless .....	D12/114
D. 339,090	9/1993	Gardenhour, Jr. et al. ....	D12/114
4,917,398	4/1990	de Miranda Pinto .....	280/299
5,028,066	7/1991	Garth .....	280/293
5,338,204	8/1994	Herndon .....	280/293

*Primary Examiner*—Melody N. Brown  
*Attorney, Agent, or Firm*—John D. Gugliotta

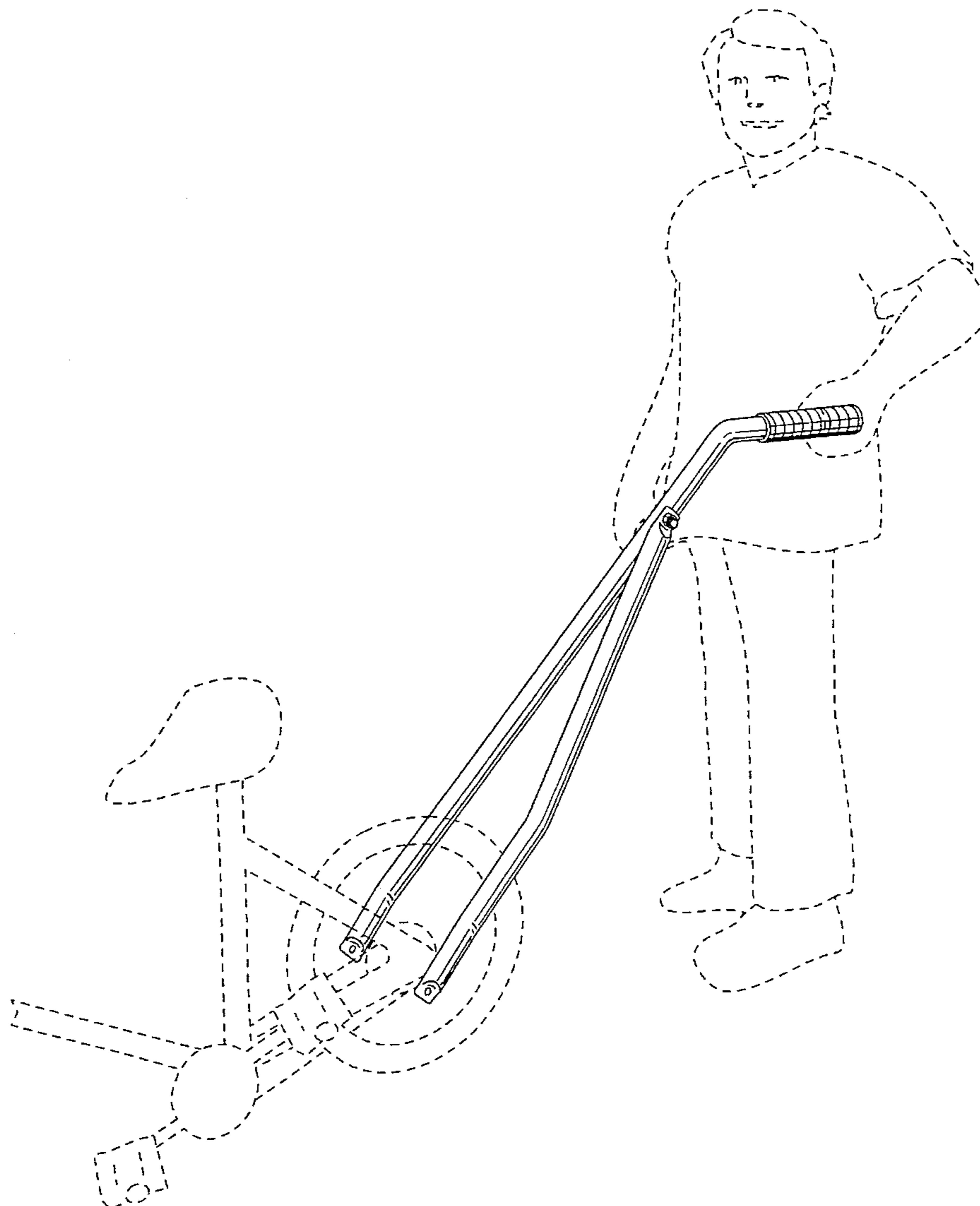
[57] **CLAIM**

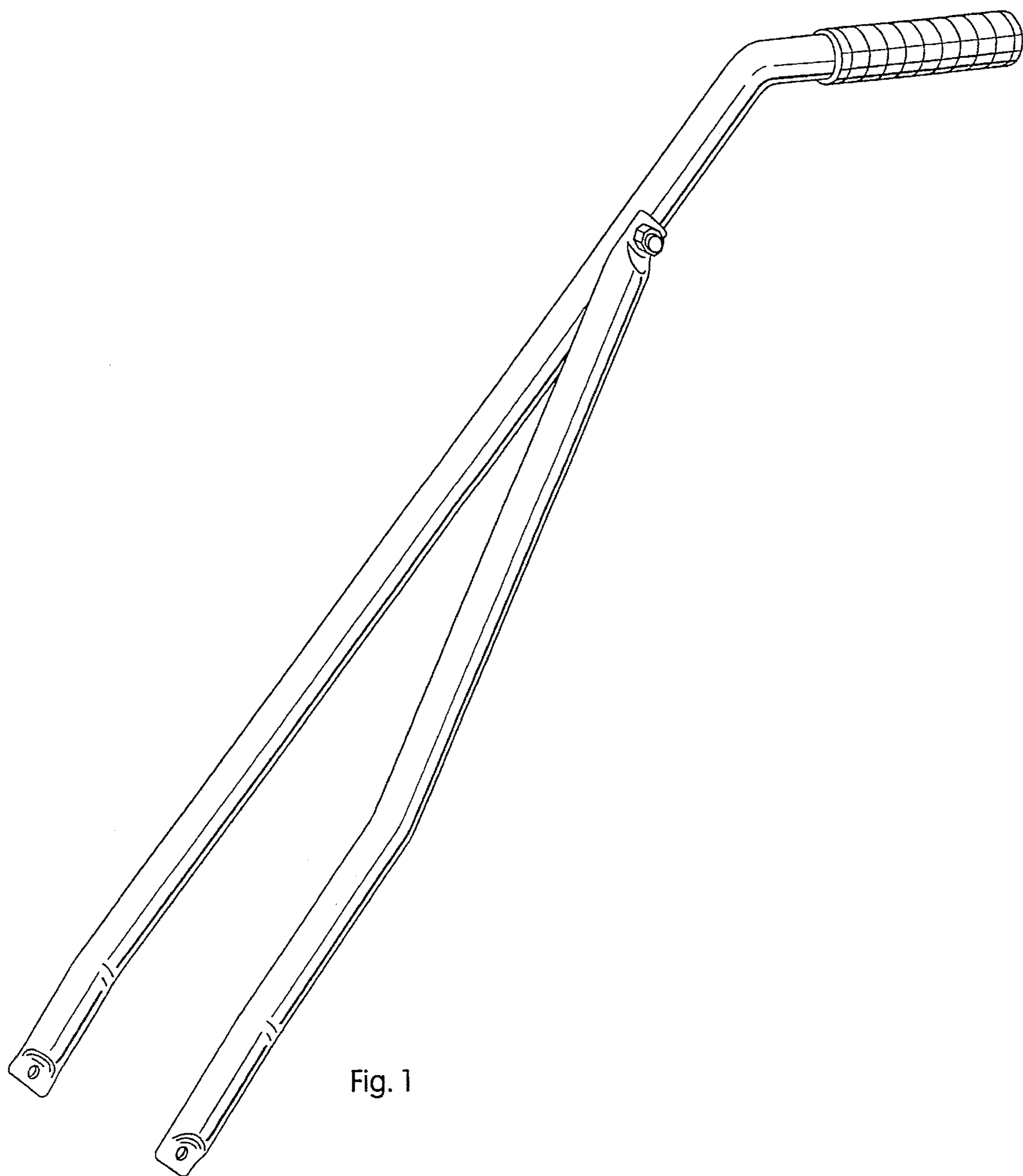
The ornamental design for a chiropractic bicycle trainer, as shown and described.

**DESCRIPTION**

FIG. 1 is a top and side perspective view of a chiropractic bicycle trainer showing my new design;  
FIG. 2 is a top and side perspective view thereof, shown positioned within a broken line illustration of a bicycle and an operator that is for illustrative purposes only and form no part of the claimed design;  
FIG. 3 is a left side view thereof;  
FIG. 4 is a right side view thereof;  
FIG. 5 is a front view thereof; and,  
FIG. 6 is a rear view thereof.

**1 Claim, 5 Drawing Sheets**





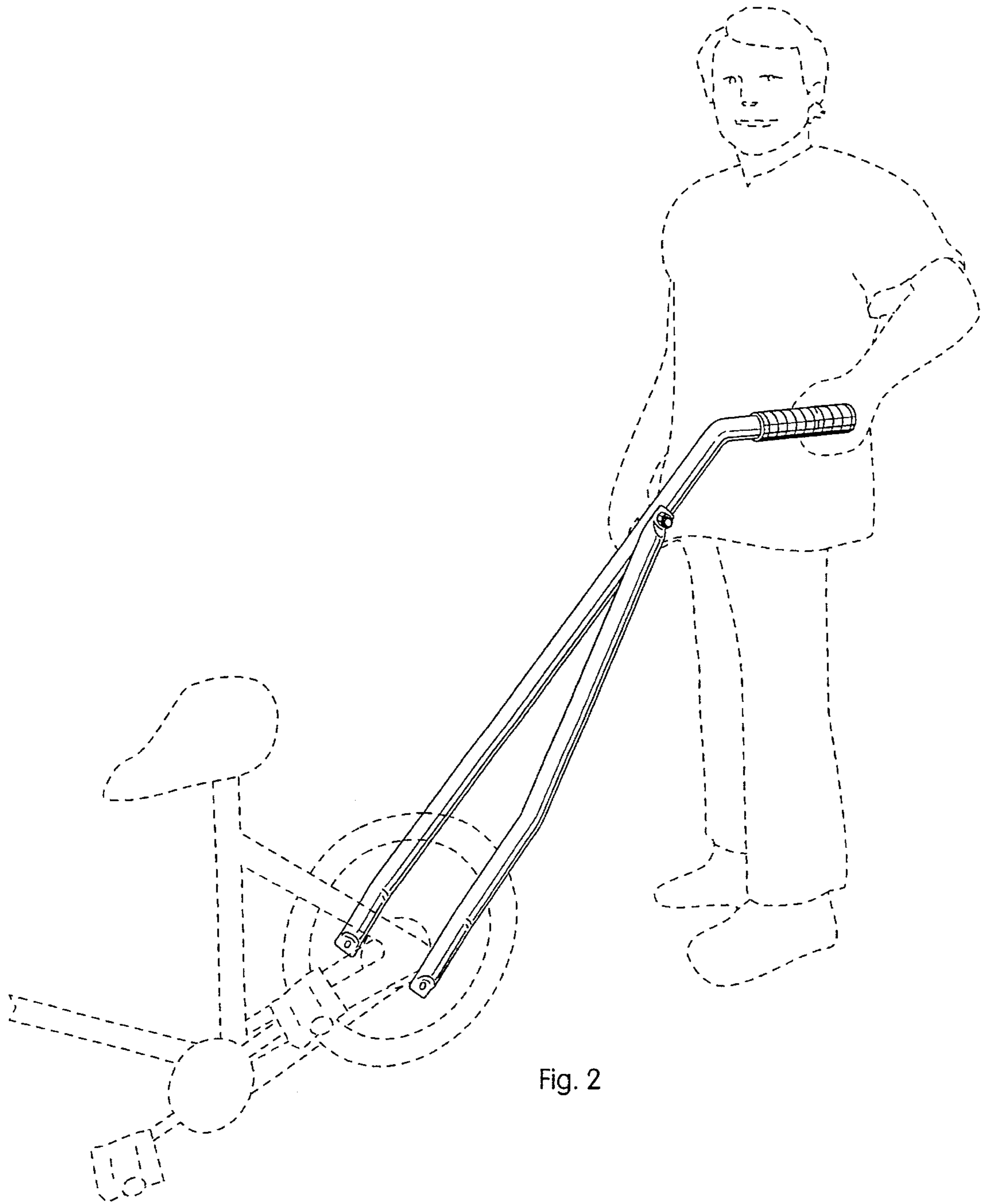


Fig. 2

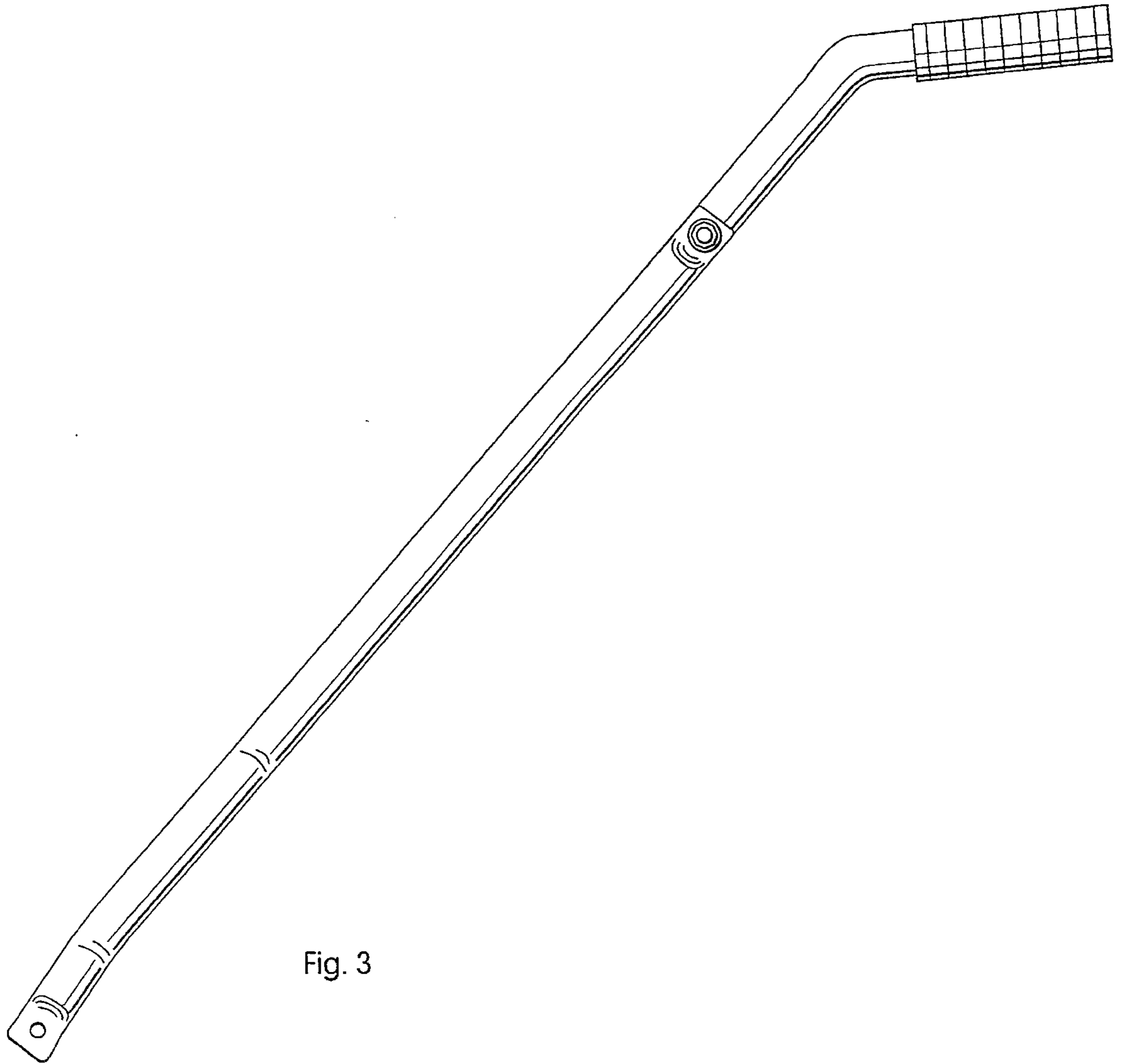


Fig. 3

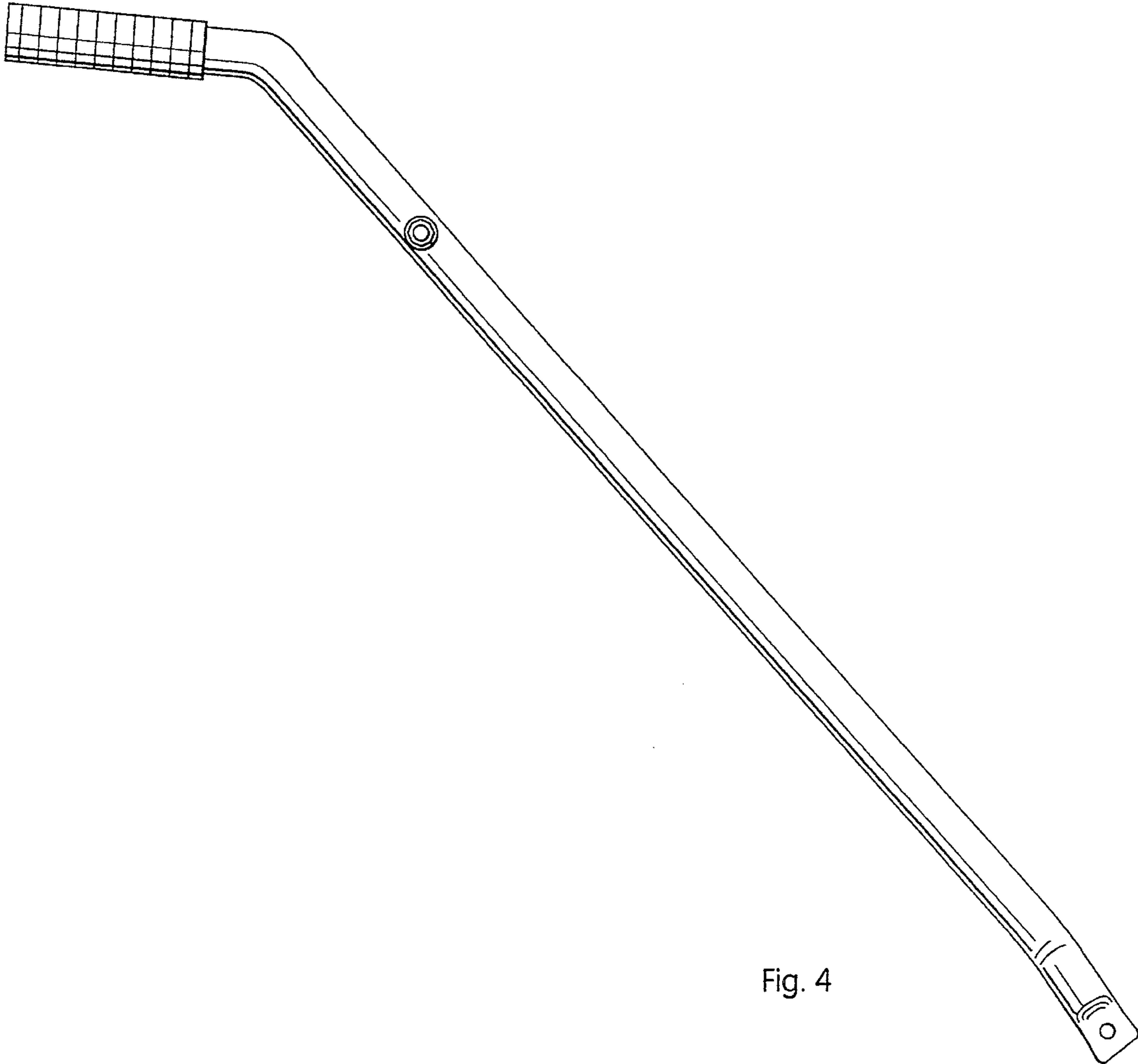


Fig. 4

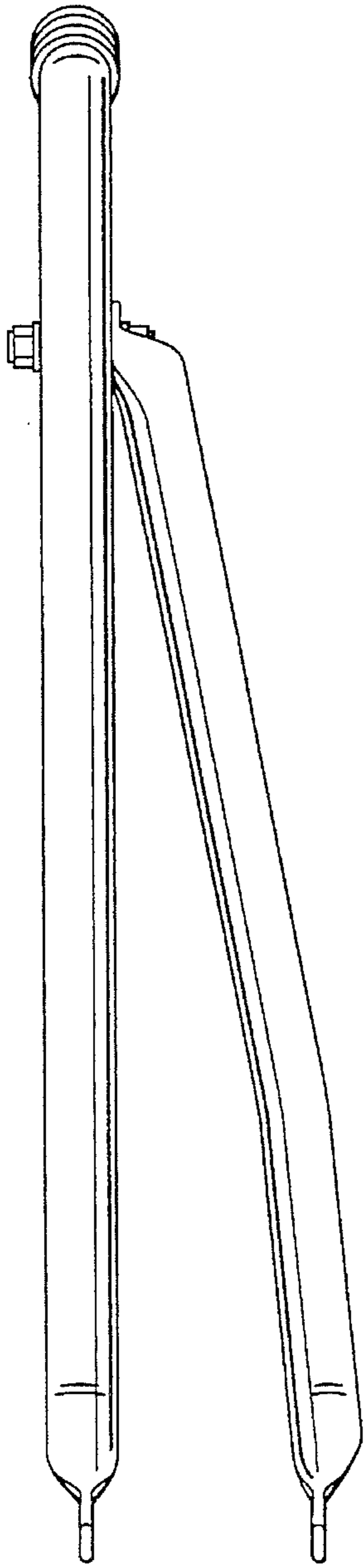


Fig. 5

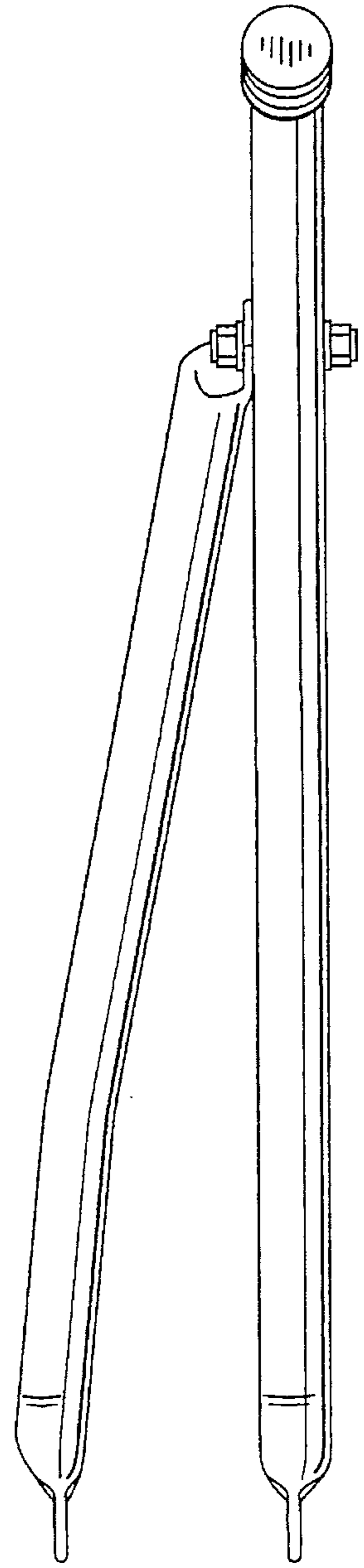


Fig. 6