



US00D367826S

United States Patent [19]

Ball et al.

[11] Patent Number: **Des. 367,826**

[45] Date of Patent: ****Mar. 12, 1996**

[54] **INFLATABLE DISTRESS SIGNAL KIT**

[76] Inventors: **William A. Ball; Rita D. Ball**, both of
2312 Wadding Crescent, Mississauga,
Ontario, Canada, L5T-1Z3

[**] Term: **14 Years**

[21] Appl. No.: **34,755**

[22] Filed: **Feb. 13, 1995**

[52] U.S. Cl. **D10/109**

[58] Field of Search D10/104, 109,
D10/111, 121; 116/DIG. 8, DIG. 9; 441/30,
40, 41

[56] **References Cited**

U.S. PATENT DOCUMENTS

D. 334,148	3/1993	McAllister	D10/109
D. 335,468	5/1993	Cumming	D10/109
3,250,241	5/1966	Levy et al.	D10/109
4,094,267	6/1978	Davis, Jr.	116/DIG. 9
4,114,561	9/1978	Asaro	116/124 B
4,120,259	10/1978	Wilson	116/124 B

Primary Examiner—A. Hugo Word
Assistant Examiner—Marcus Jackson
Attorney, Agent, or Firm—James A. Hudak

[57] **CLAIM**

The ornamental design for a inflatable distress signal kit, as shown and described.

DESCRIPTION

FIG. 1 is a exploded perspective view of the inflatable distress signal kit showing our new design;

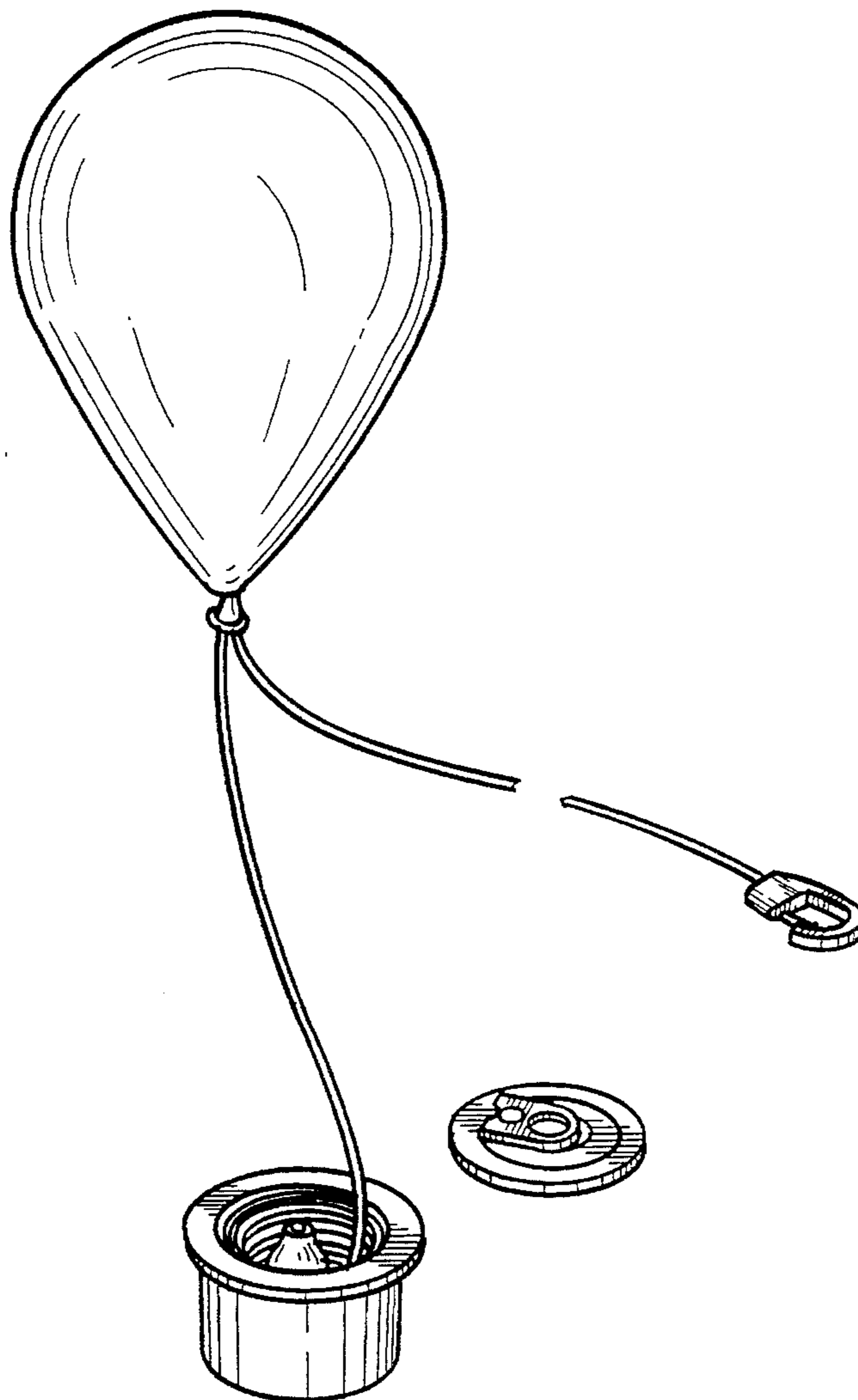
FIG. 2 is a front elevational view thereof, the rear elevational view being a mirror image of the view shown in this Figure with the lid portion omitted for convenience of illustration only;

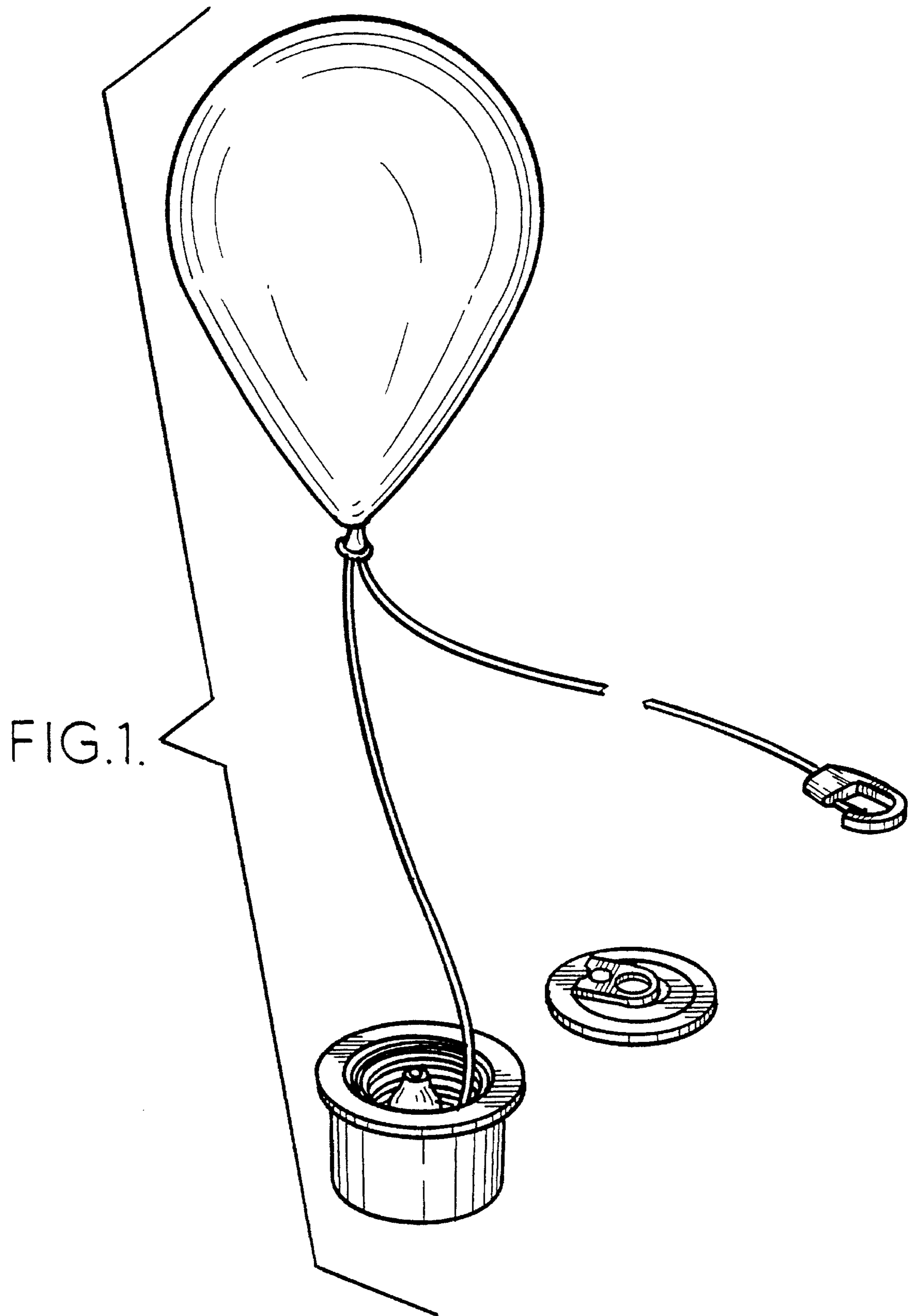
FIG. 3 is a right side elevational view thereof, the left side elevational view being a mirror image of the view shown in this Figure;

FIG. 4 is a top plan view thereof; and,

FIG. 5 is a bottom plan view thereof.

1 Claim, 3 Drawing Sheets





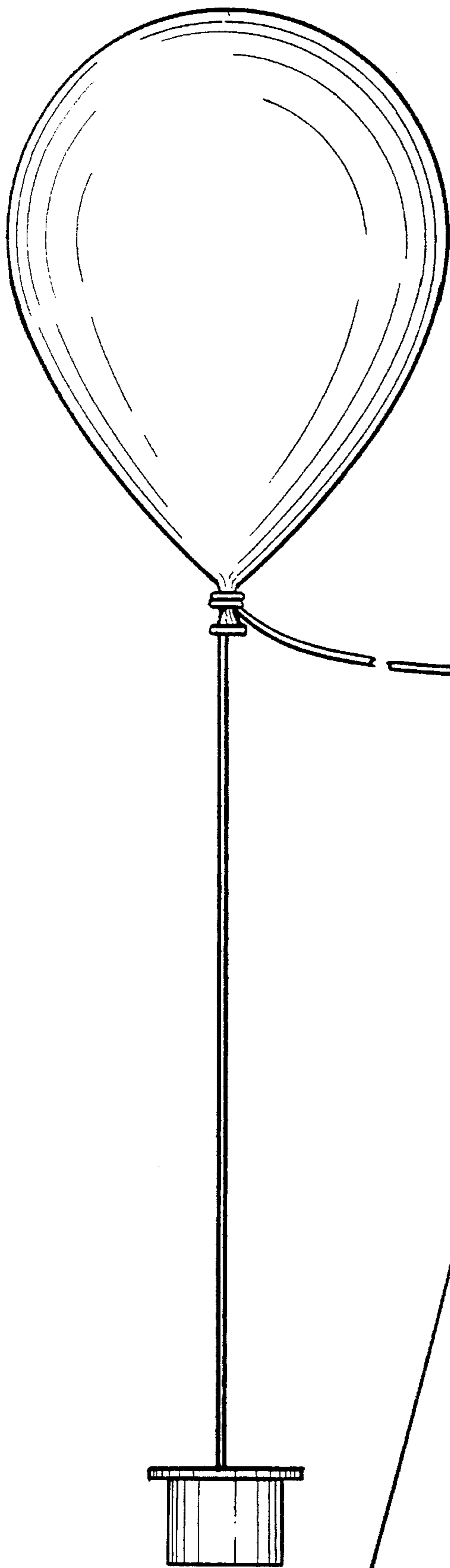


FIG. 2.

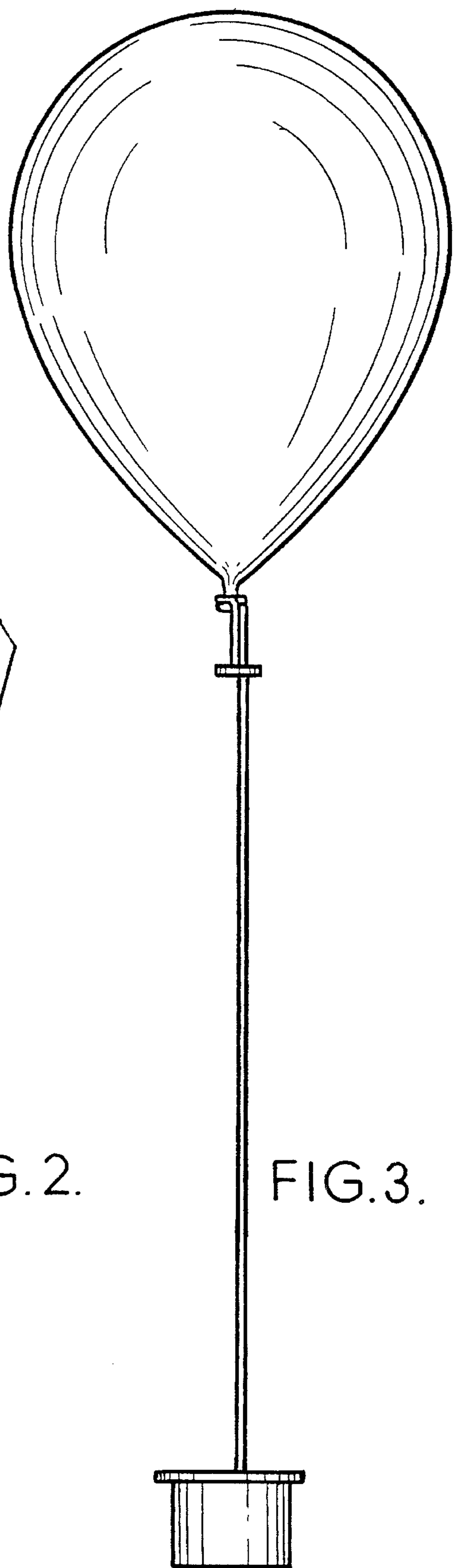


FIG. 3.

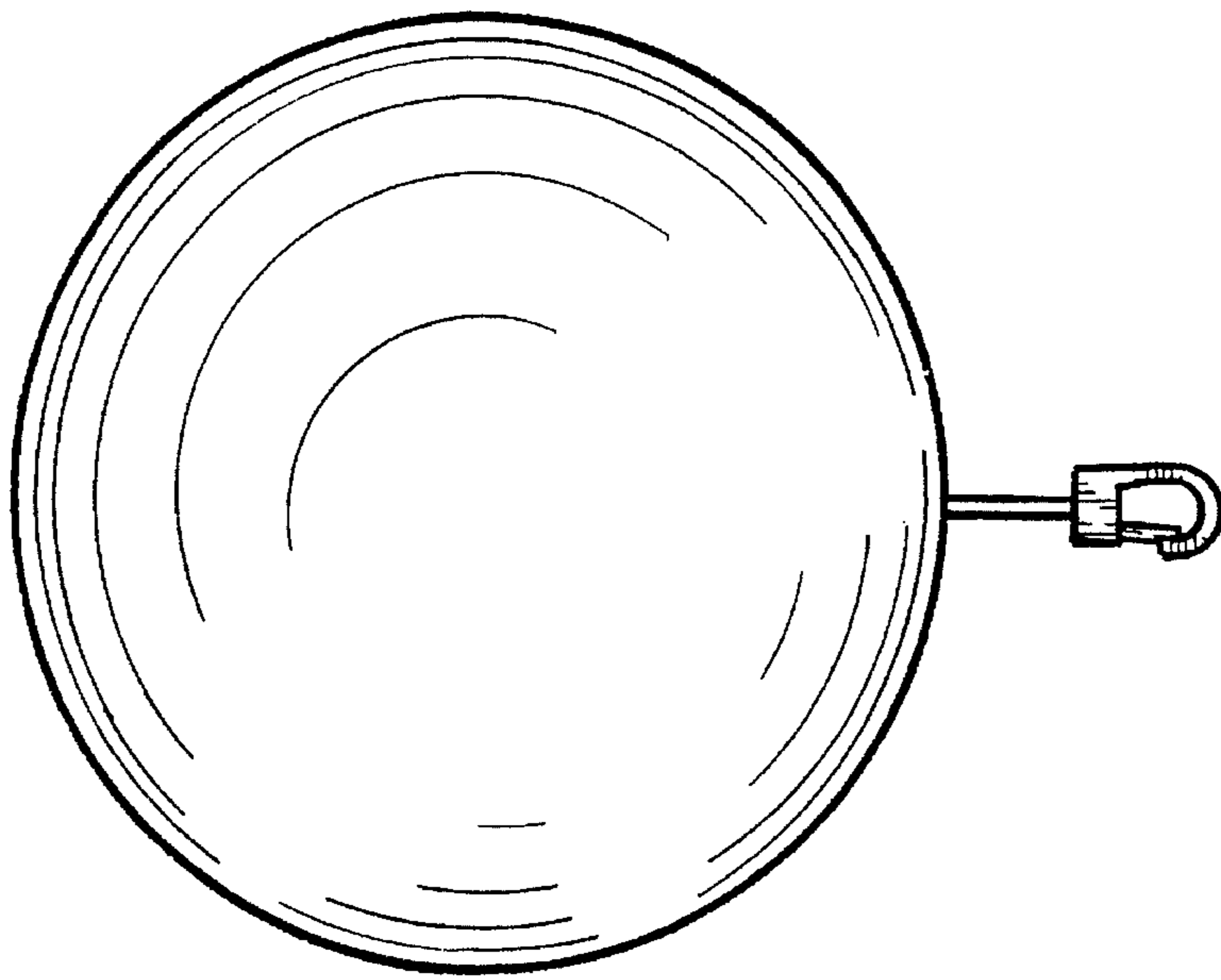


FIG. 4.

FIG. 5.

