



US00D367823S

# United States Patent [19] Sassoli

[11] Patent Number: **Des. 367,823**  
[45] Date of Patent: **\*\*Mar. 12, 1996**

[54] **ELECTRONIC SUSPENDED BALANCE**

4,423,486 12/1983 Berner ..... 177/25.13 X

[75] Inventor: **Riccardo Sassoli**, Bologna, Italy

*Primary Examiner*—Antoine Duval Davis  
*Attorney, Agent, or Firm*—Bucknam and Archer

[73] Assignee: **S.A.R.E.M.A. S.r.l.**, Bologna, Italy

### [57] CLAIM

[\*\*] Term: **14 Years**

The ornamental design for an electronic suspended balance, as shown and described.

[21] Appl. No.: **13,776**

[22] Filed: **Oct. 1, 1993**

### DESCRIPTION

### [30] Foreign Application Priority Data

FIG. 1 is a perspective view of an electronic suspended balance showing my new design with all indica, except for the trade names, being eliminated for ease of illustration; FIG. 2 is a front elevation view; FIG. 3 is a rear elevation view; FIG. 4 is a left side elevation view; FIG. 5 is a right side elevation view; FIG. 6 is a bottom plan view; and, FIG. 7 is a top plan view thereof.

Apr. 13, 1993 [WO] WIPO ..... DM/025810

[52] U.S. Cl. .... **D10/90**

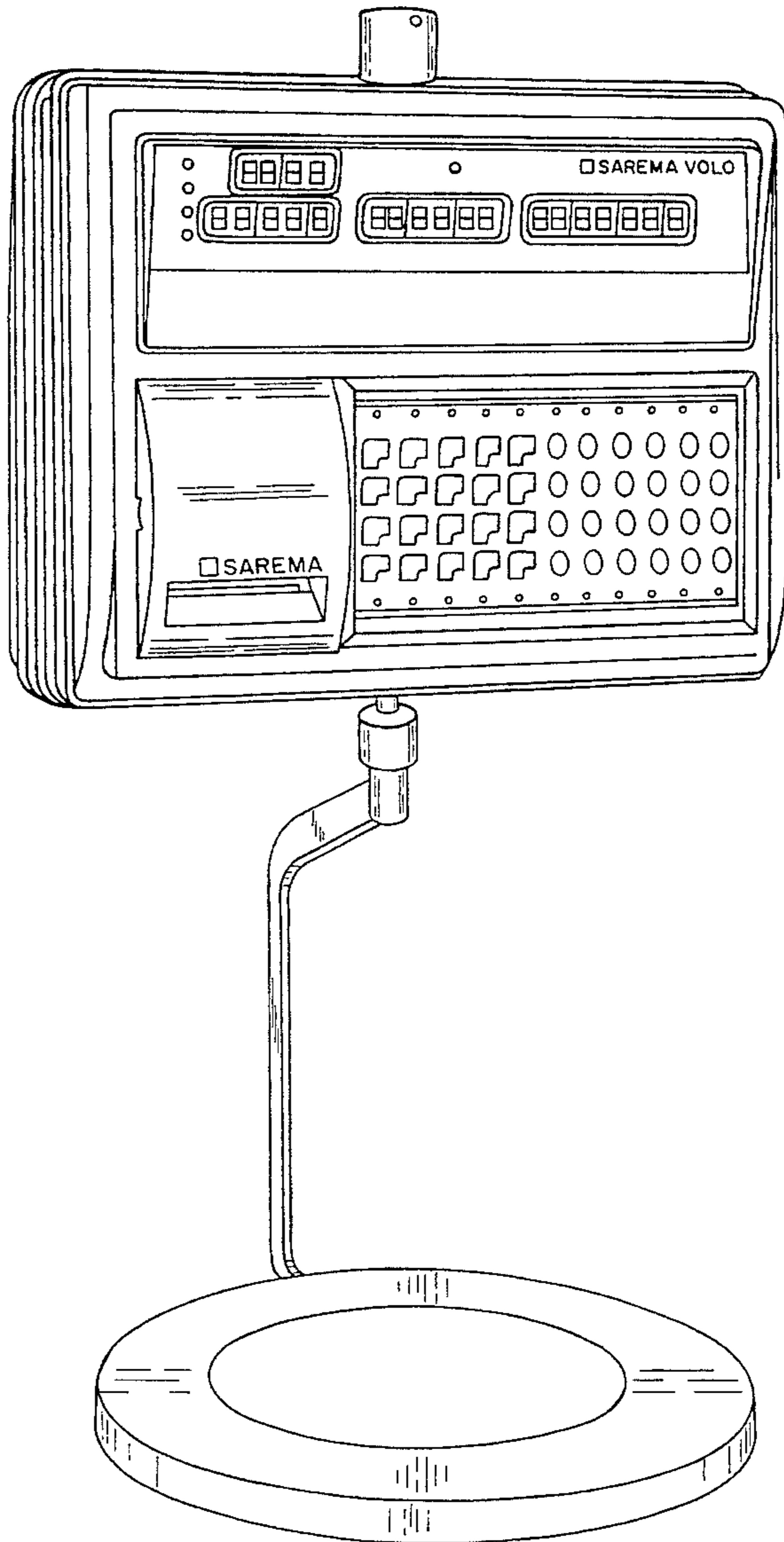
[58] Field of Search ..... D10/87-90; 177/25.13,  
177/148, 168, 210 R, 211, 225-242

### [56] References Cited

#### U.S. PATENT DOCUMENTS

D. 341,096 11/1993 Squire ..... D10/90

**1 Claim, 5 Drawing Sheets**



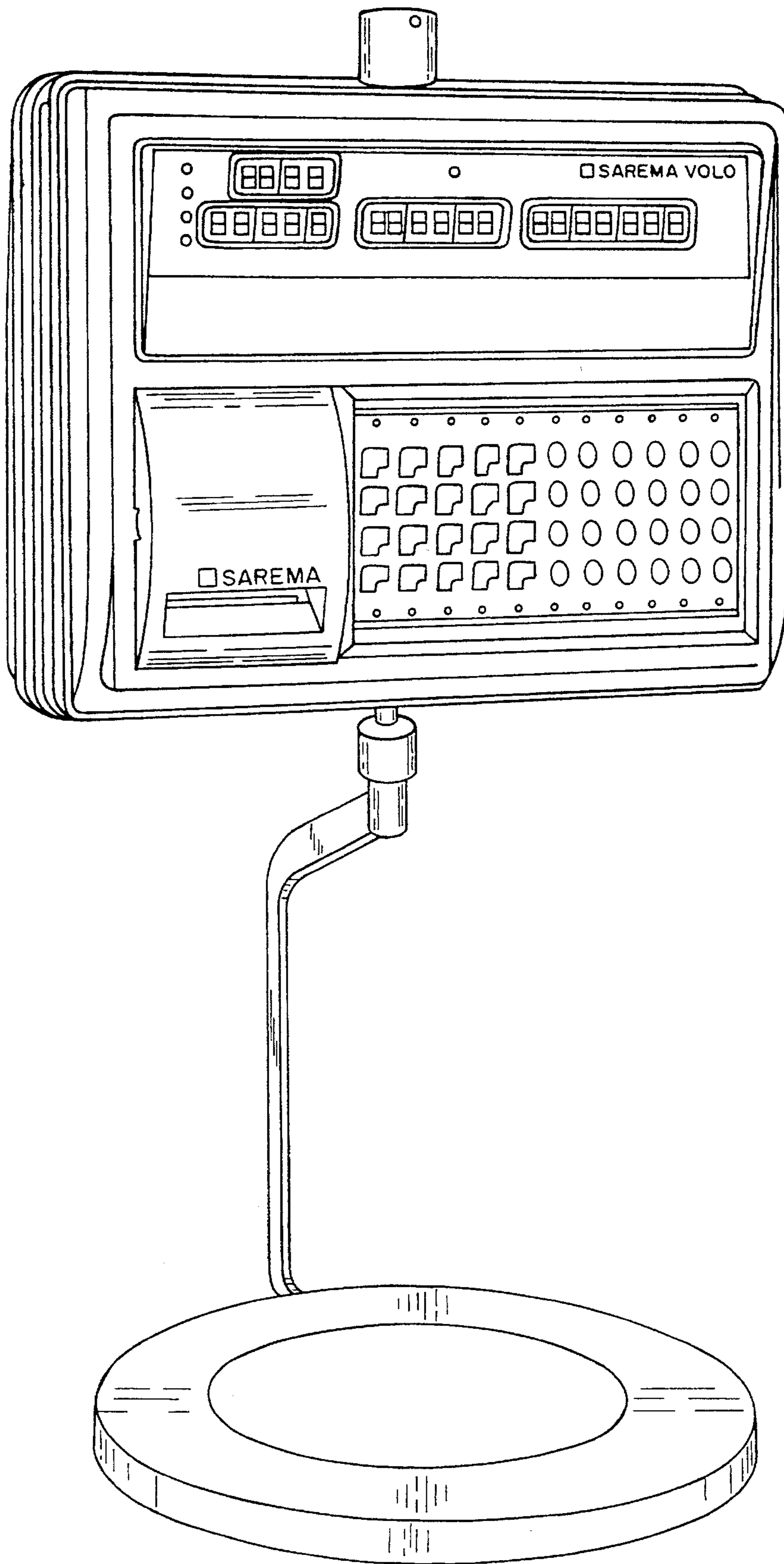


FIG. 1

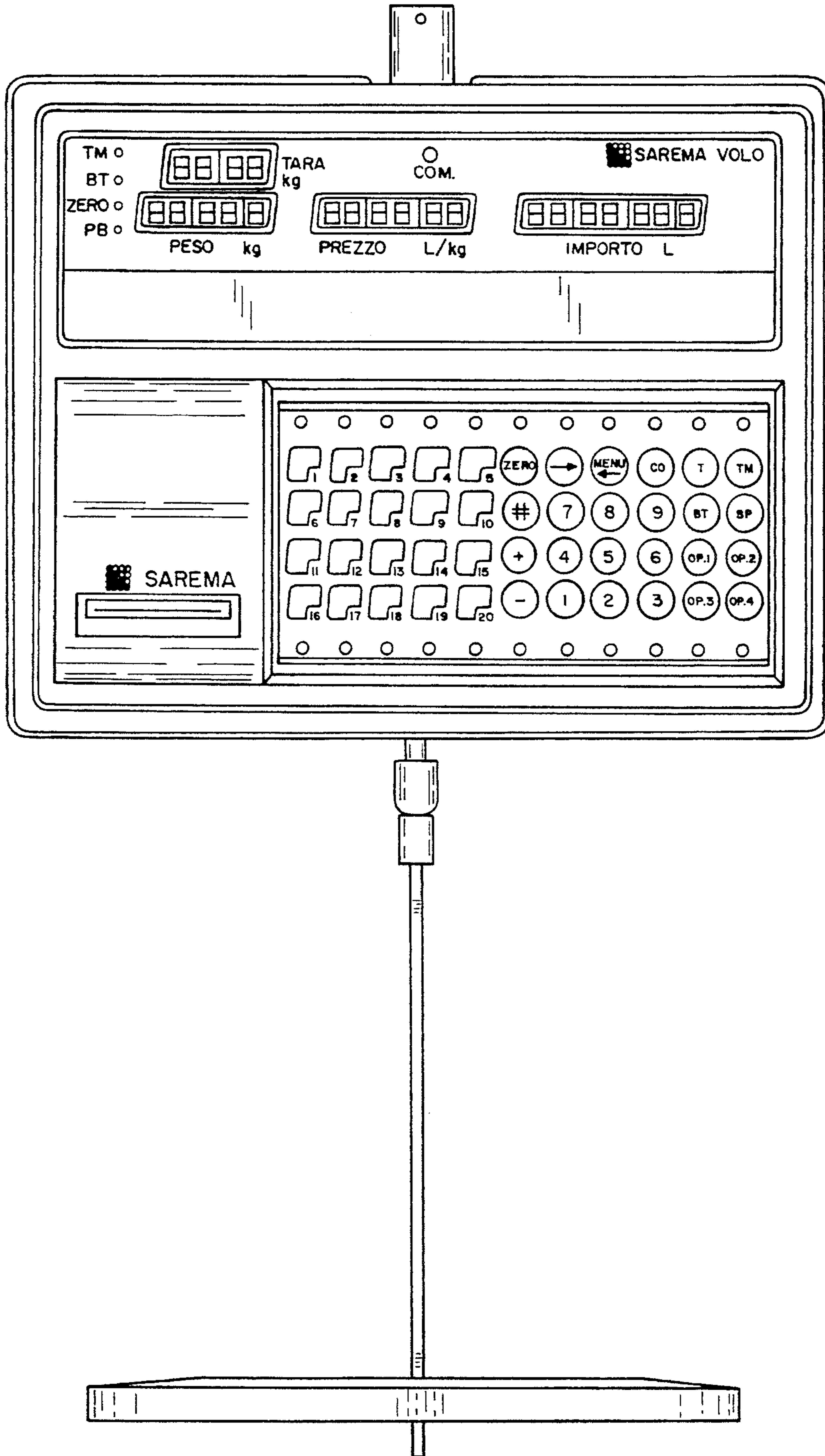


FIG.2

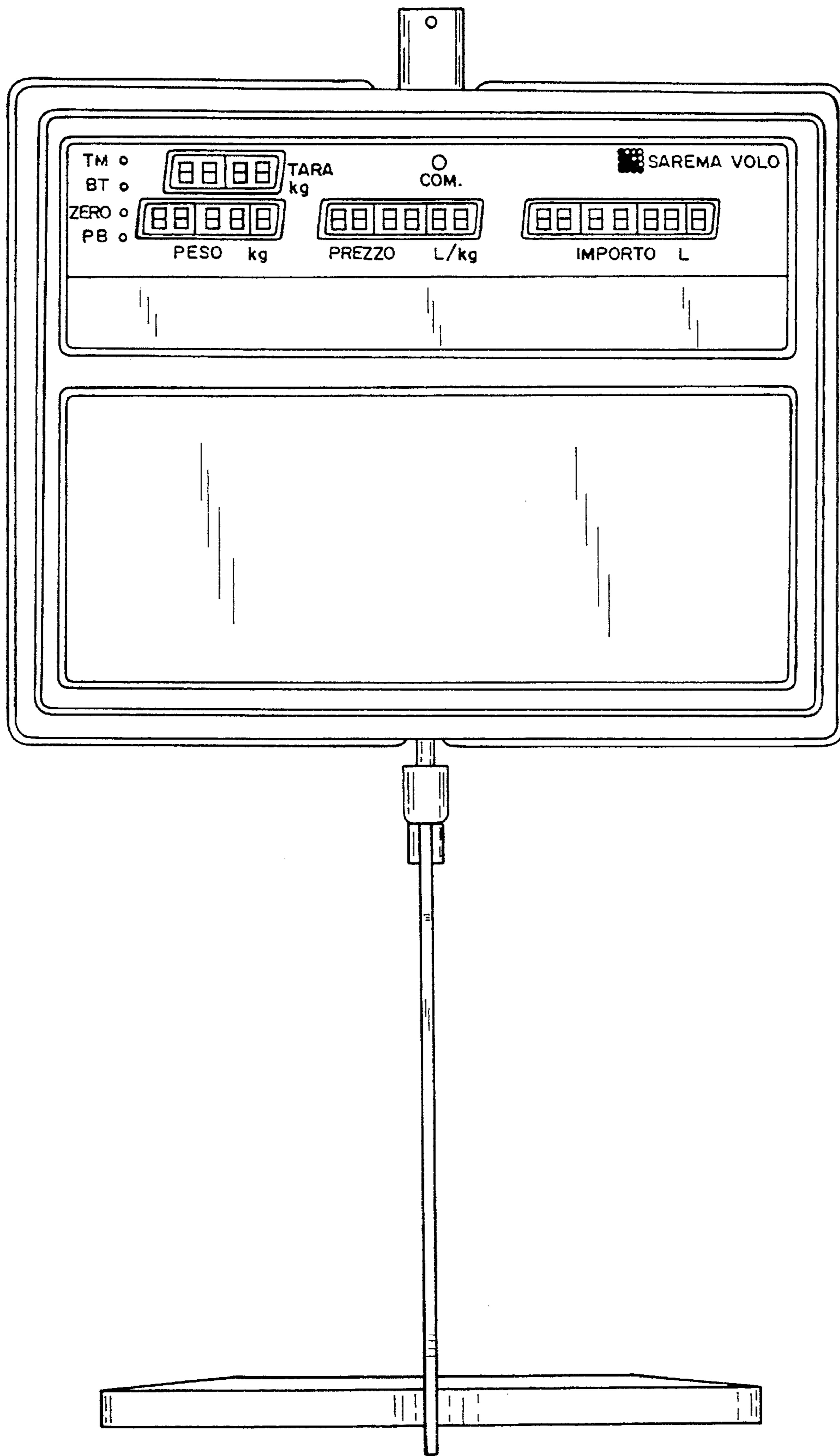


FIG.3

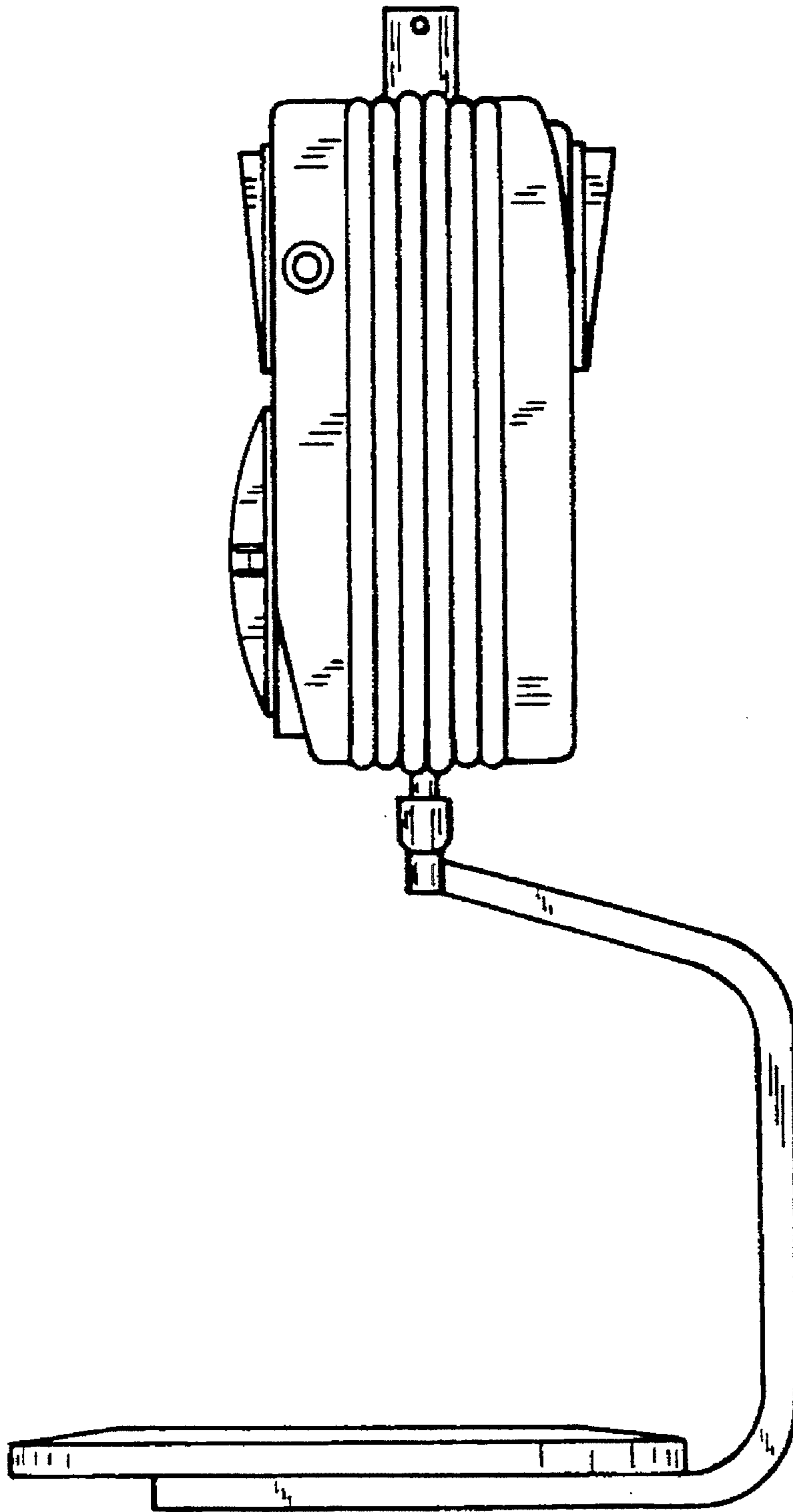


FIG. 4

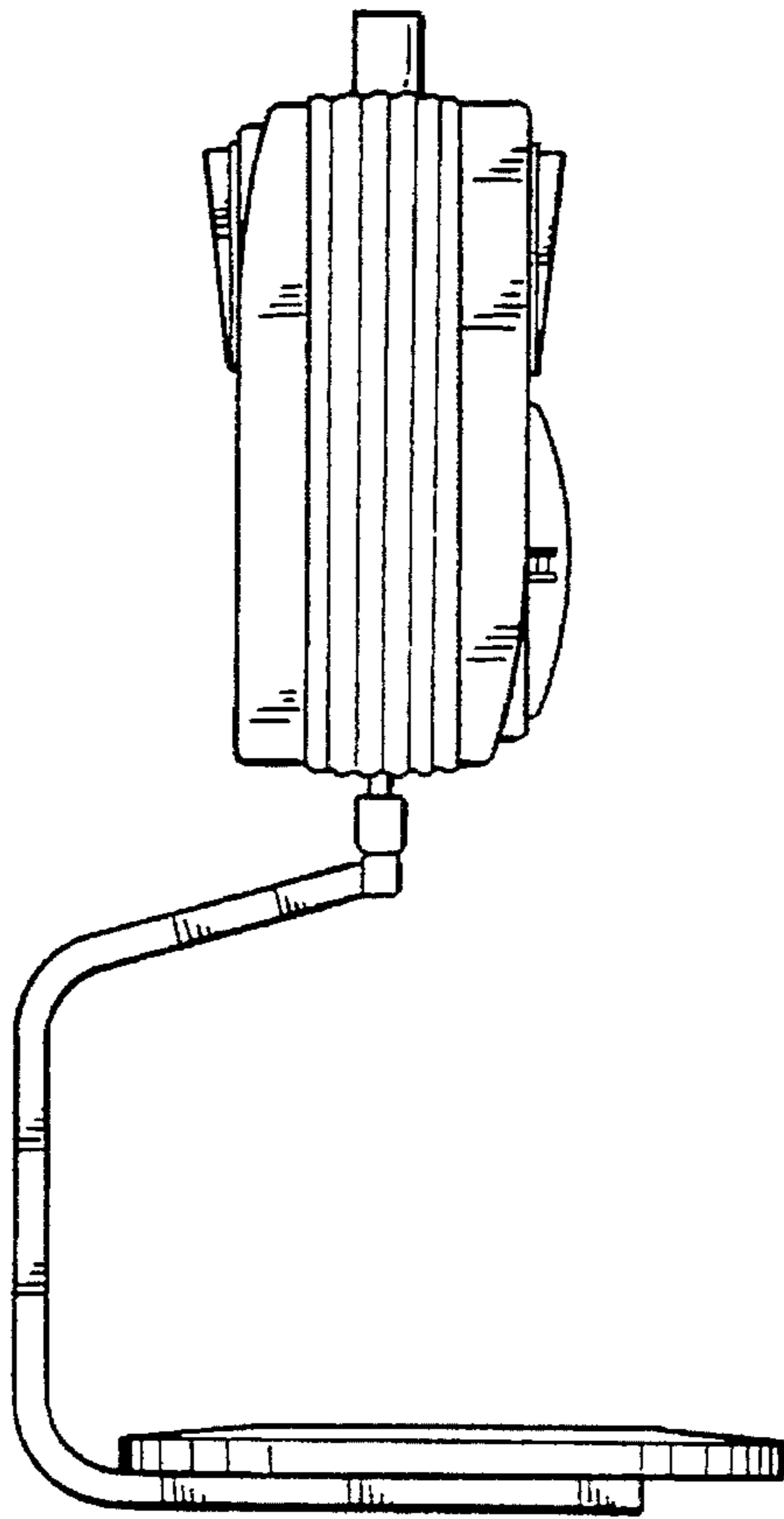


FIG. 5

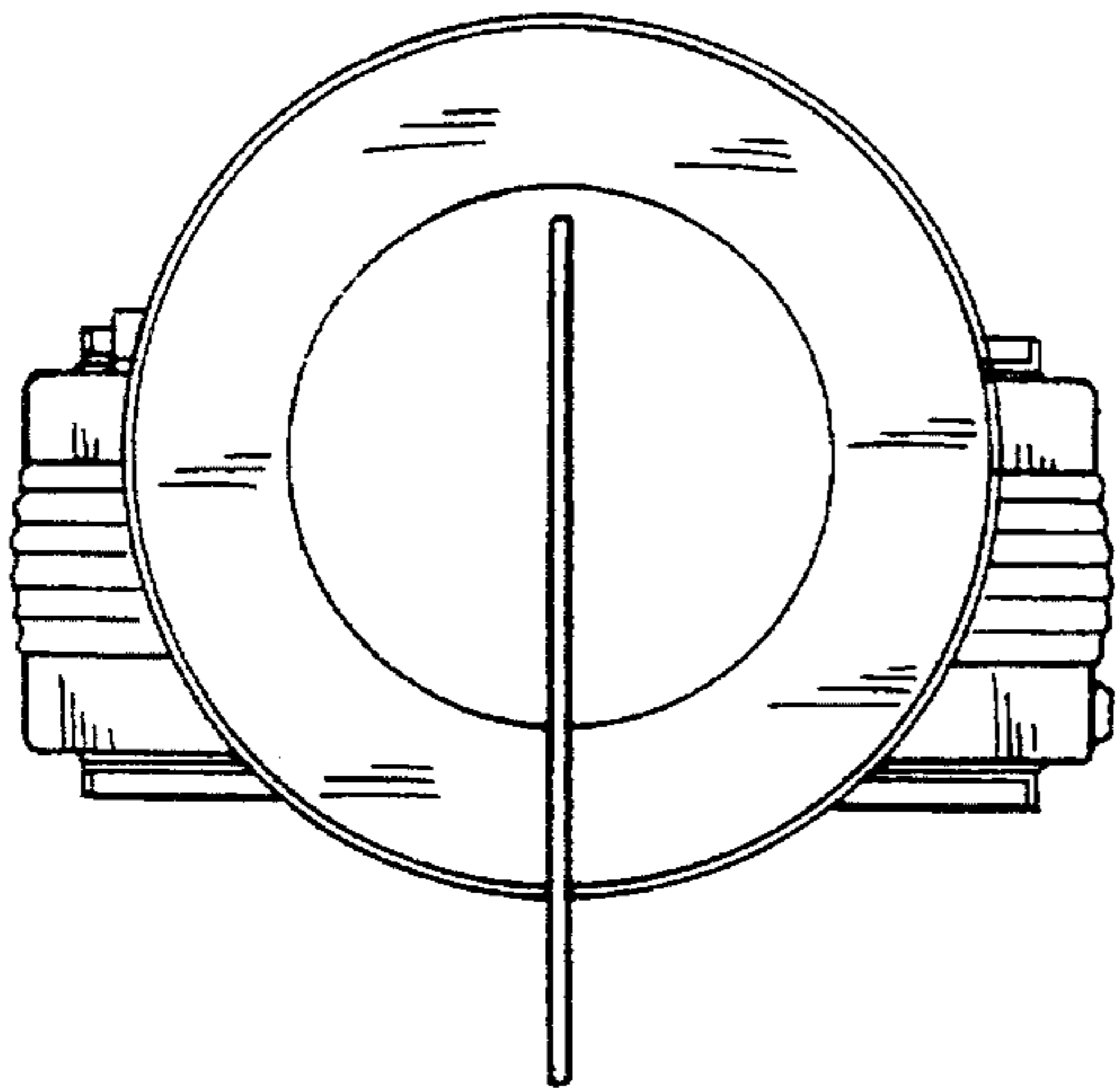


FIG. 6

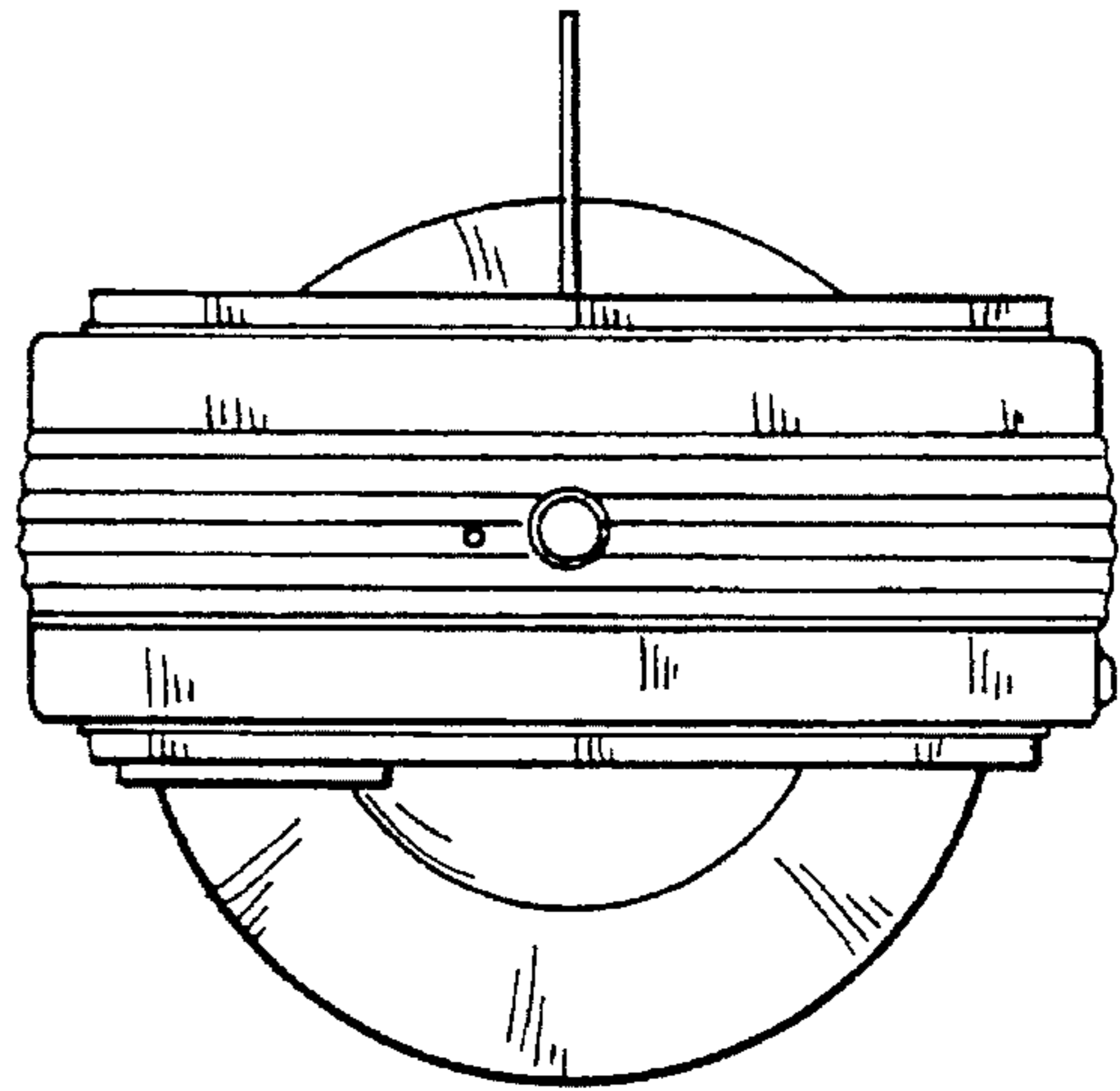


FIG. 7