



US00D367820S

United States Patent [19] Helleu

[11] **Patent Number: Des. 367,820**
[45] **Date of Patent: **Mar. 12, 1996**

[54] **WATCH**
[75] **Inventor: Jacques C. Helleu, Garches, France**
[73] **Assignee: Chanel, Inc., New York, N.Y.**
[**] **Term: 14 Years**

D. 309,864 8/1990 Woomer .
D. 312,791 12/1990 Benoit-Pequignet et al. .
D. 315,513 3/1991 Benoit Pequignet .
D. 327,435 6/1992 Gueit .
2,119,436 5/1938 Lauff .
4,884,256 11/1989 Blackburn .

[21] **Appl. No.: 37,396**
[22] **Filed: Apr. 11, 1995**

FOREIGN PATENT DOCUMENTS

0319461 6/1989 European Pat. Off. 24/265 WS
2913478 10/1979 Germany 24/265 WS
368427 5/1963 Switzerland 368/281
454042 6/1968 Switzerland 368/282

Related U.S. Application Data

[62] Division of Ser. No. 14,431, Oct. 5, 1993, Pat. No. Des. 358,554, which is a division of Ser. No. 583,703, Sep. 14, 1990, Pat. No. Des. 342,905.
[52] **U.S. Cl.** **D10/32; 24/265 WS**
[58] **Field of Search** **D10/1-40, 122-132; 24/715, 265 WS; 368/223, 228, 232, 276-277, 280-282, 285; D11/3, 5, 12, 19-25, 87, 94**

OTHER PUBLICATIONS

Vogue, Oct. 1986, p. 86, square watches at left.
Swiss Watch & Jewelry Journal, Feb. 1989, p. 319, watches at top.
Jeweler's Circular—Keystone—Oct. 1960— p. 79— watch at top.
Primary Examiner—Nelson C. Holtie
Attorney, Agent, or Firm—Merchant, Gould, Smith, Edell, Welter & Schmidt

[56] References Cited

U.S. PATENT DOCUMENTS

D. 57,180 2/1921 Miller .
D. 78,900 7/1929 Saccoccia .
D. 110,637 7/1938 Davenport .
D. 153,312 4/1949 Philippe .
D. 157,691 3/1950 Lang .
D. 214,525 6/1969 Weitz .
D. 297,122 8/1988 Kabaya .
D. 297,417 8/1988 Asano et al. .
D. 302,133 7/1989 Woomer .

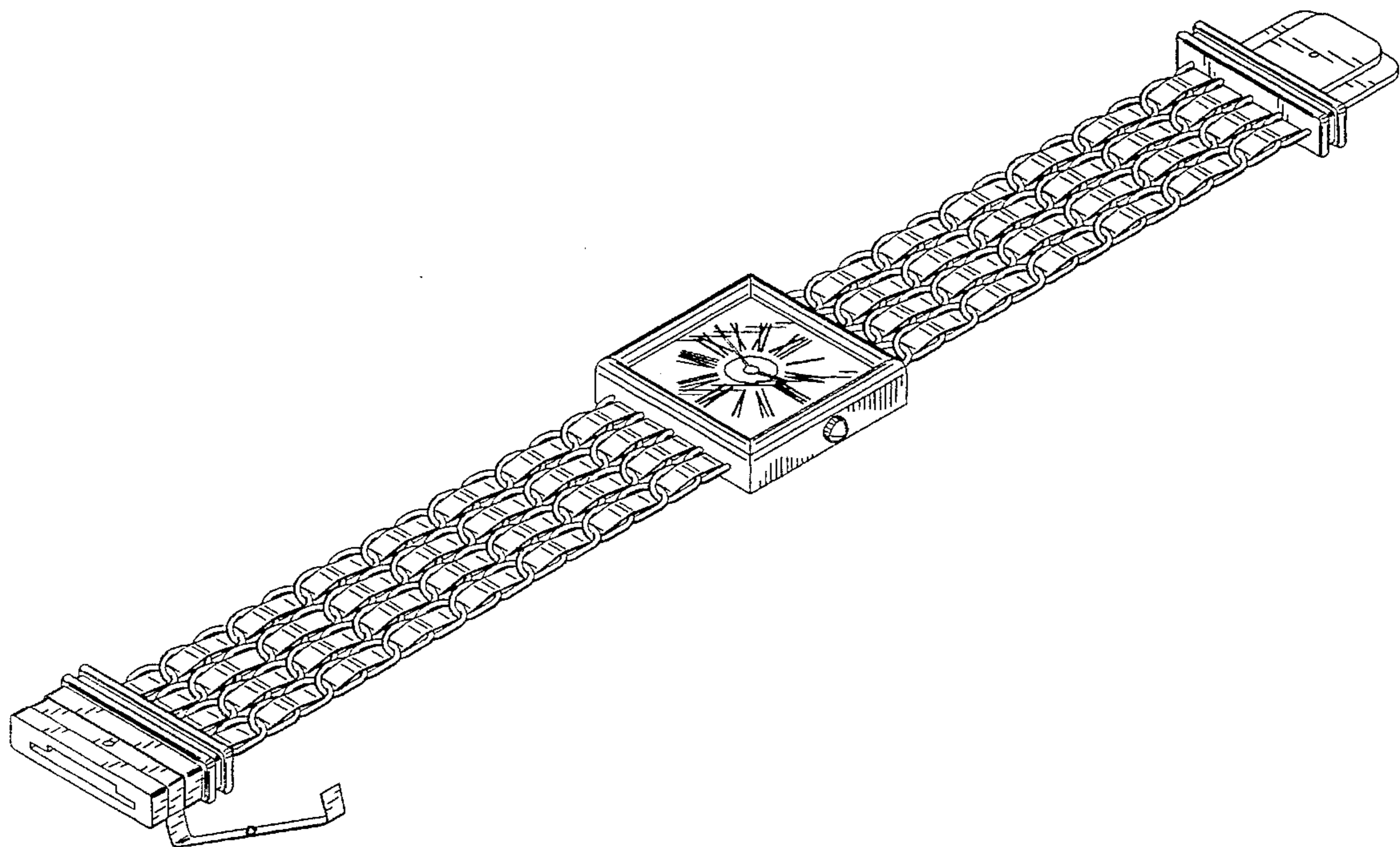
[57] CLAIM

The ornamental design for a watch, as shown and described.

DESCRIPTION

FIG. 1 is a front view of the face of the watch in one embodiment; and,
FIG. 2 is a front view of the face of the watch in an alternative embodiment.

1 Claim, 1 Drawing Sheet



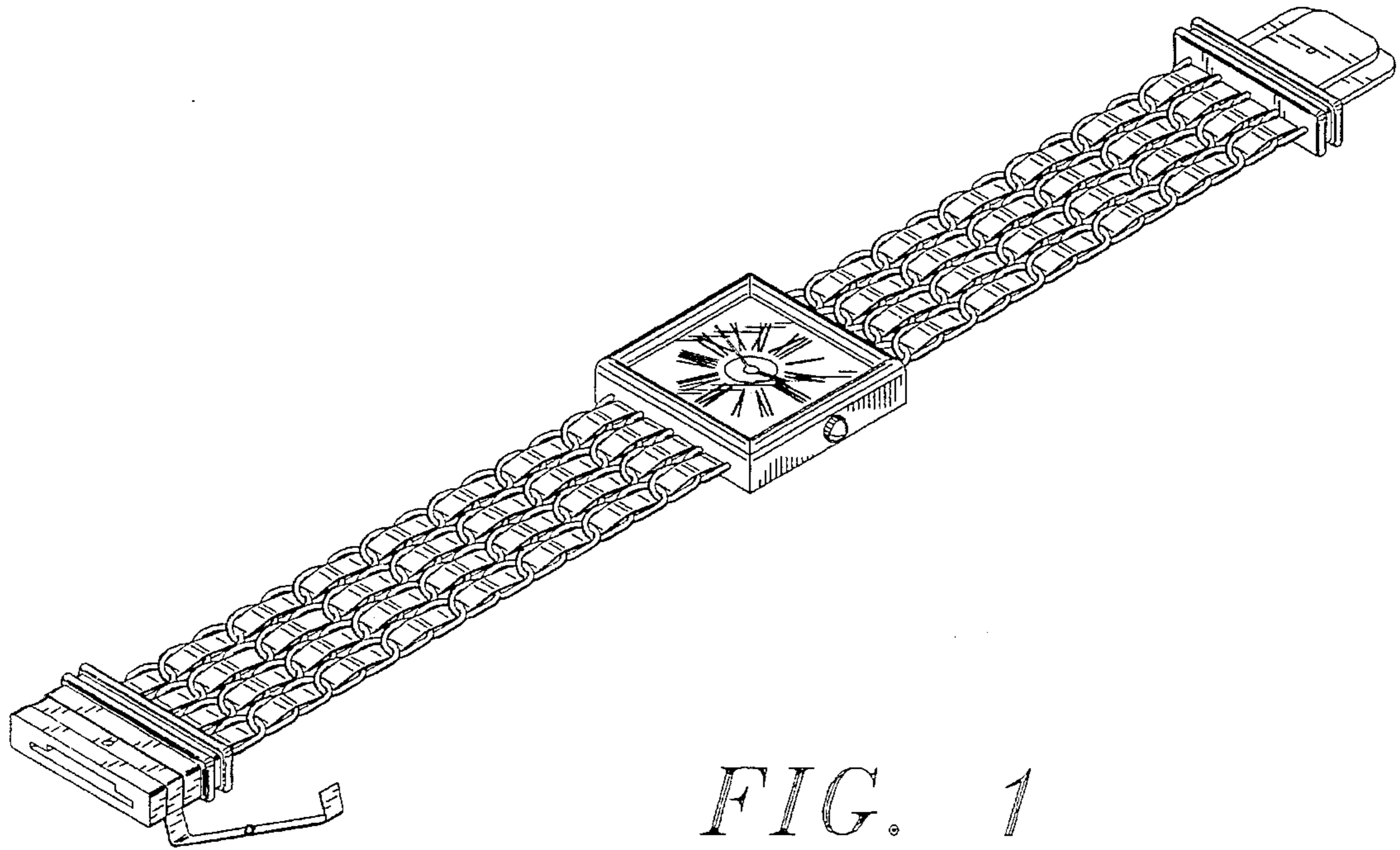


FIG. 1

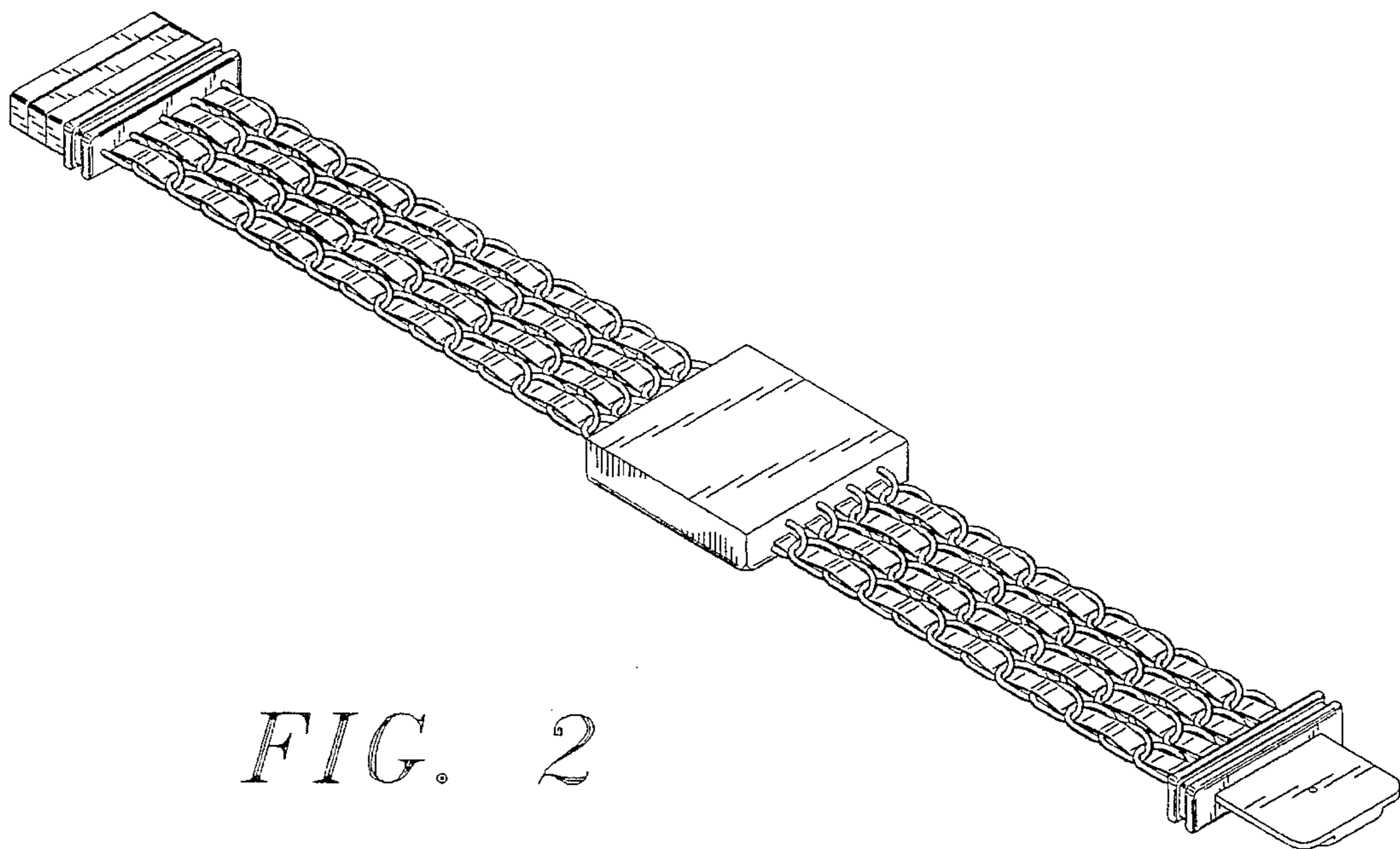


FIG. 2