



US00D367818S

United States Patent [19]

Zana

[11] Patent Number: **Des. 367,818**

[45] Date of Patent: ****Mar. 12, 1996**

[54] **PLASTIC LID WITH AN EXTENDED SKIRT FOR PAPER CONTAINERS**

[75] Inventor: **Ramon Zana**, Kent, Ohio

[73] Assignee: **Cardinal Packaging, Inc.**, Streetsboro, Ohio

[**] Term: **14 Years**

[21] Appl. No.: **17,430**

[22] Filed: **Jan. 13, 1994**

[52] U.S. Cl. **D9/454**

[58] Field of Search D7/391, 392.1, D7/629, 300.1; D9/435-435, 444-445, 452, 454, 499; 215/217, 224, 228, 298, 356; 220/288, 306, 669

D. 249,935	10/1978	Williams	D9/454
D. 289,143	4/1987	Guillaume	D9/504
3,421,654	1/1969	Hexel	D9/435
4,901,881	2/1990	McElroy	215/1 A
5,046,632	9/1991	Bordner	220/306
5,082,136	1/1992	Schumann	220/212

Primary Examiner—Alan P. Douglas
Assistant Examiner—Robert M. Spear
Attorney, Agent, or Firm—Fay, Sharpe, Beall, Fagan, Minnich & McKee

[57] CLAIM

The ornamental design for a plastic lid with an extended skirt for paper containers, as shown and described.

DESCRIPTION

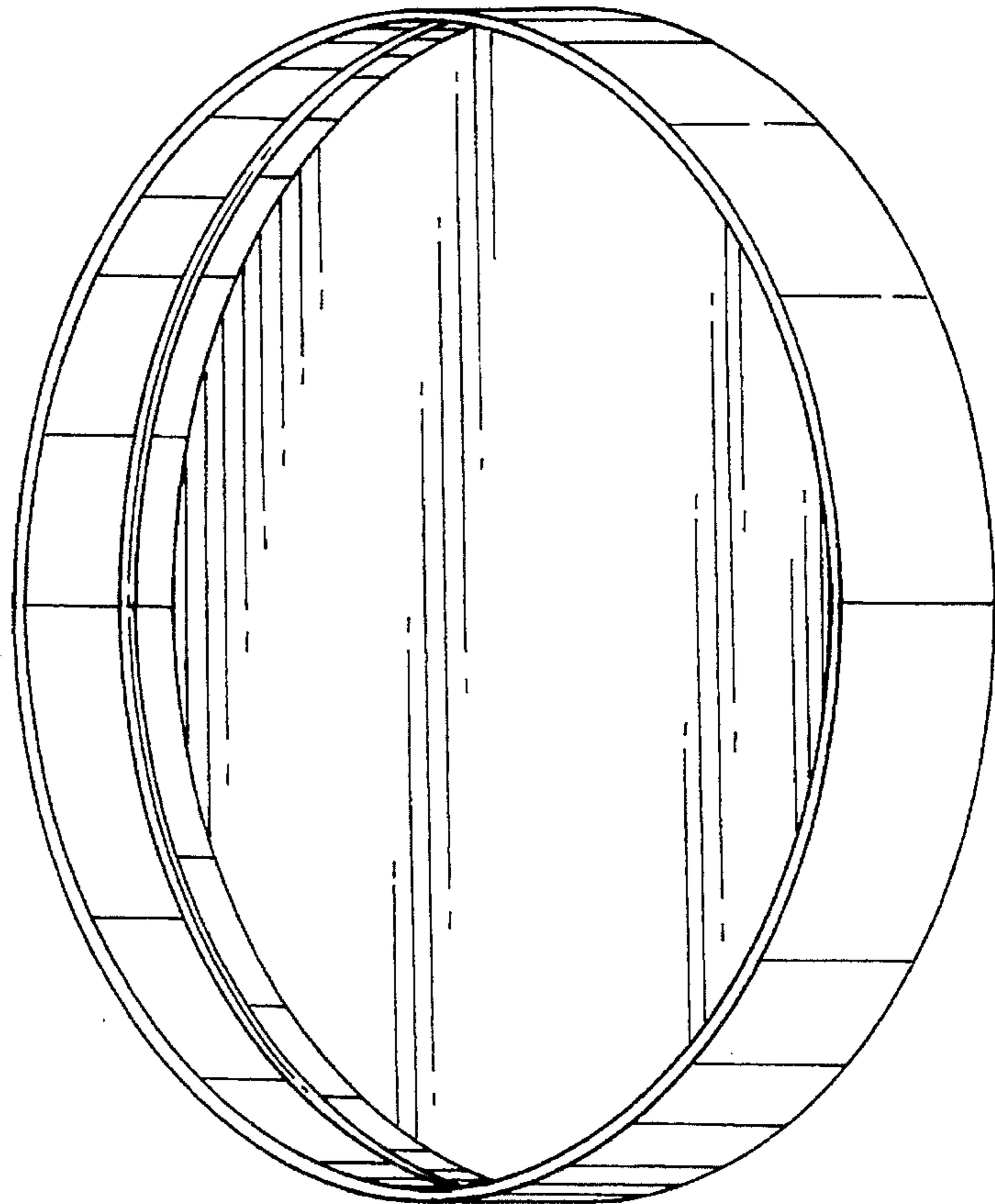
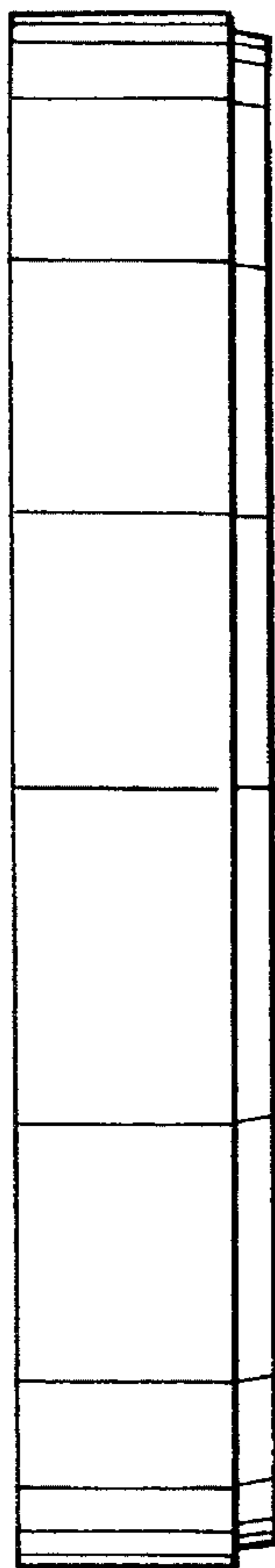
FIG. 1 is a top plan view of a plastic container lid showing my new design;
FIG. 2 is a side elevational view thereof, all other side views being identical thereto;
FIG. 3 is a bottom plan view thereof; and,
FIG. 4 is a bottom perspective view thereof.

[56] References Cited

U.S. PATENT DOCUMENTS

D. 57,588	4/1921	Crawford	D9/504
D. 120,167	4/1940	Deskey	D9/504
D. 248,376	9/1978	Allen et al.	D9/454

1 Claim, 2 Drawing Sheets



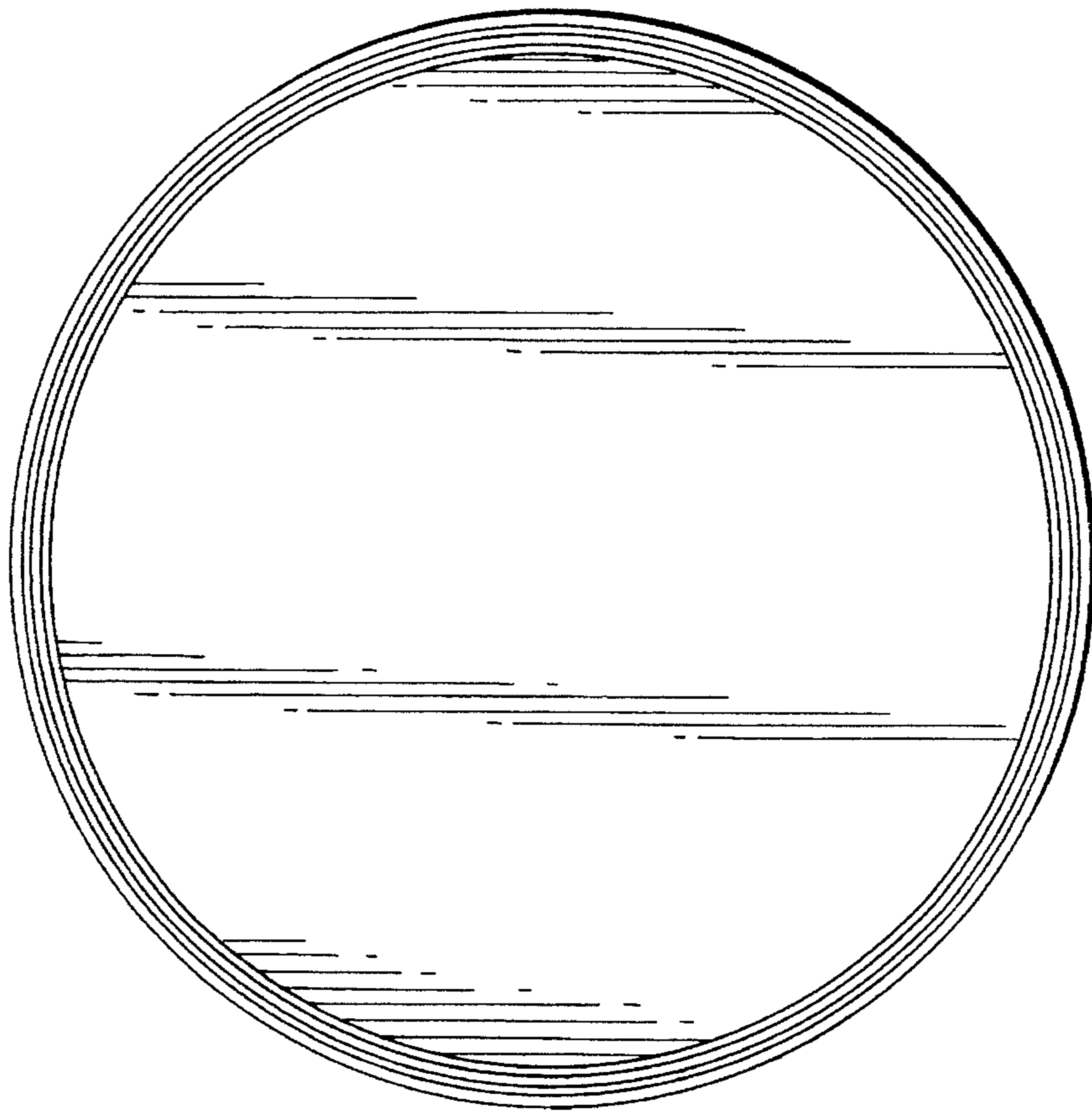


FIG. 1

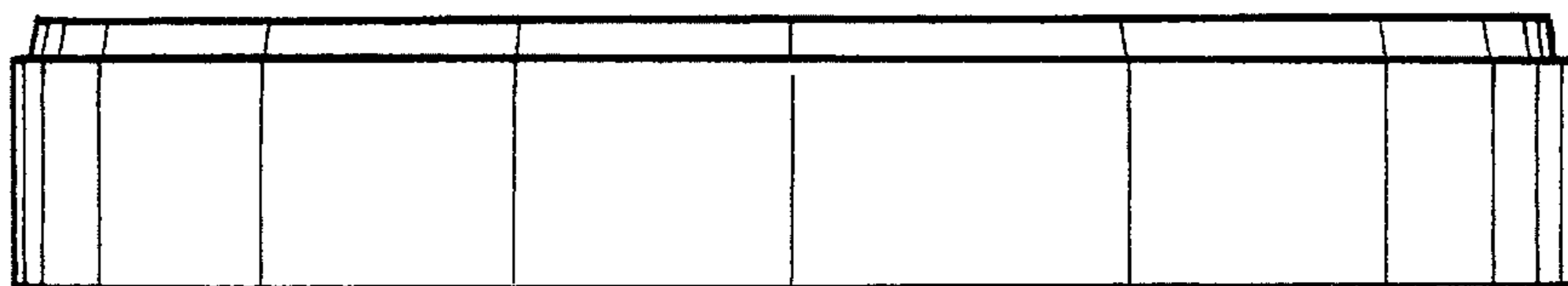


FIG. 2

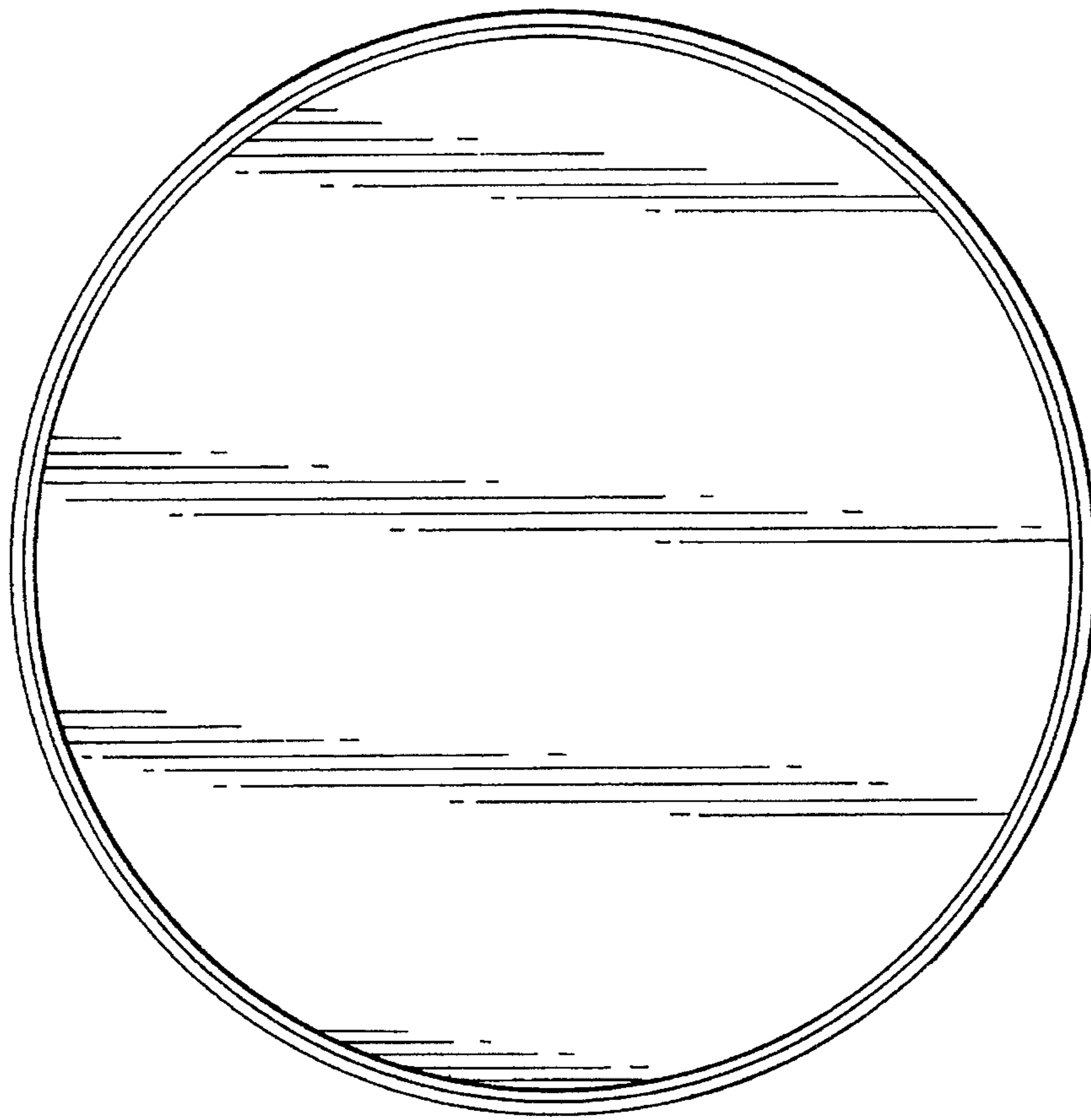


FIG. 3

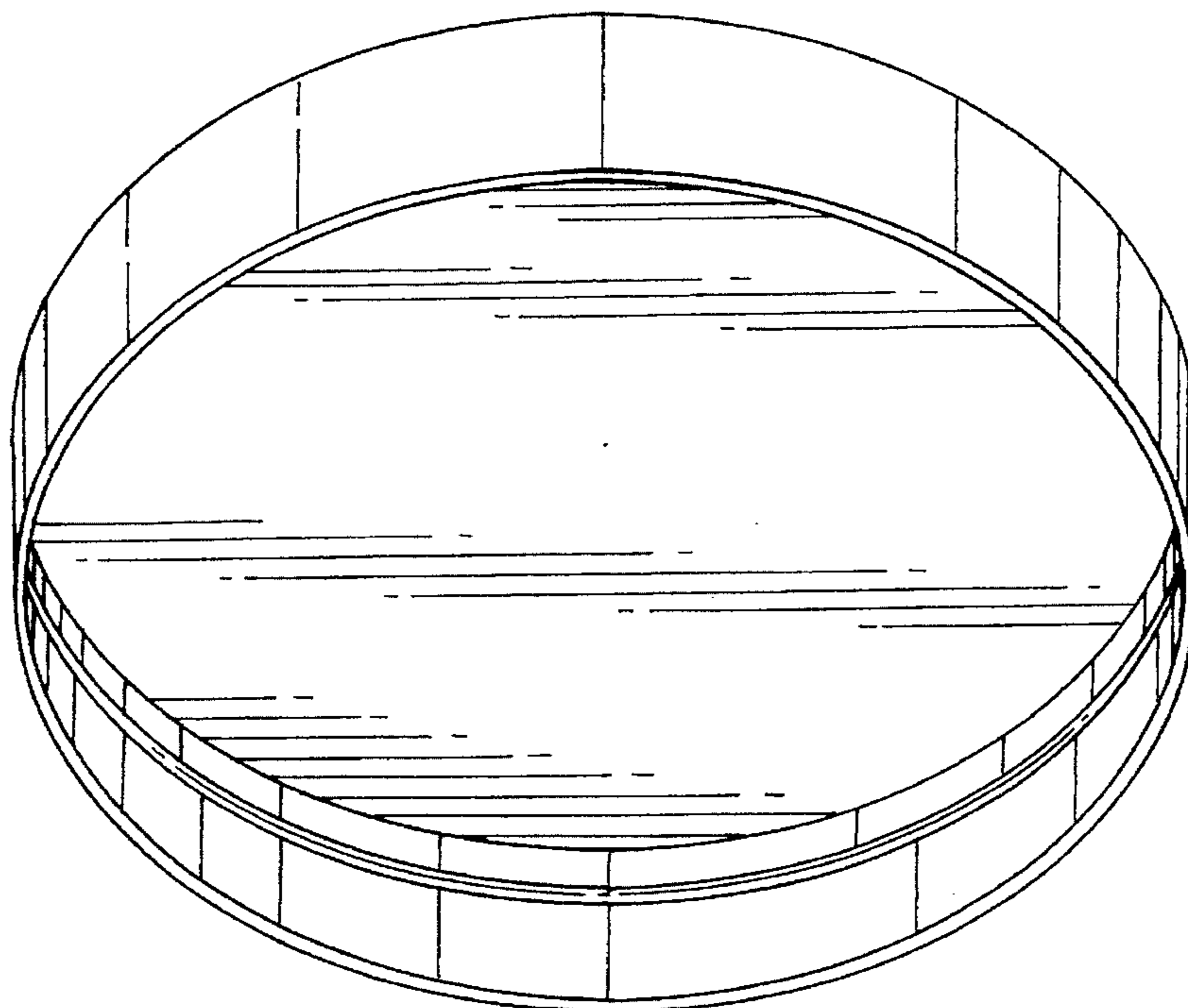


FIG. 4