



US00D367817S

# United States Patent [19]

Halpin et al.

[11] Patent Number: **Des. 367,817**

[45] Date of Patent: **\*\*Mar. 12, 1996**

[54] **PLASTIC BAG HANDLE**

[76] Inventors: **Neil Halpin; Iris Okouchi-Halpin**,  
both of 124 Hoopiha Pl., Wahiawa, Hi.  
96786

[\*\*] Term: **14 Years**

[21] Appl. No.: **29,312**

[22] Filed: **Oct. 3, 1994**

[52] U.S. Cl. .... **D9/434**

[58] Field of Search ..... D9/434, 455, 305;  
220/754; 383/6, 13, 15, 23, 25

[56] **References Cited**

**U.S. PATENT DOCUMENTS**

D. 305,297	1/1990	O'Neill	.....	D9/434
D. 335,448	5/1993	Laferla	.....	D9/434
5,029,926	7/1991	Dieterich, Jr.	.....	383/13

*Primary Examiner*—Alan P. Douglas  
*Assistant Examiner*—Robert M. Spear  
*Attorney, Agent, or Firm*—Harold H. Dutton, Jr.

[57] **CLAIM**

The ornamental design for a plastic bag handle, as shown and described.

**DESCRIPTION**

FIG. 1 is a perspective view of a plastic bag handle showing our new design;  
FIG. 2 is a top plan view thereof;  
FIG. 3 is a bottom plan view thereof;  
FIG. 4 is a side elevational view thereof; and,  
FIG. 5 is a left end view thereof.  
The side opposite to that shown in FIG. 4 is identical thereto.  
The end opposite to that shown in FIG. 5 is the same as that shown.

**1 Claim, 3 Drawing Sheets**

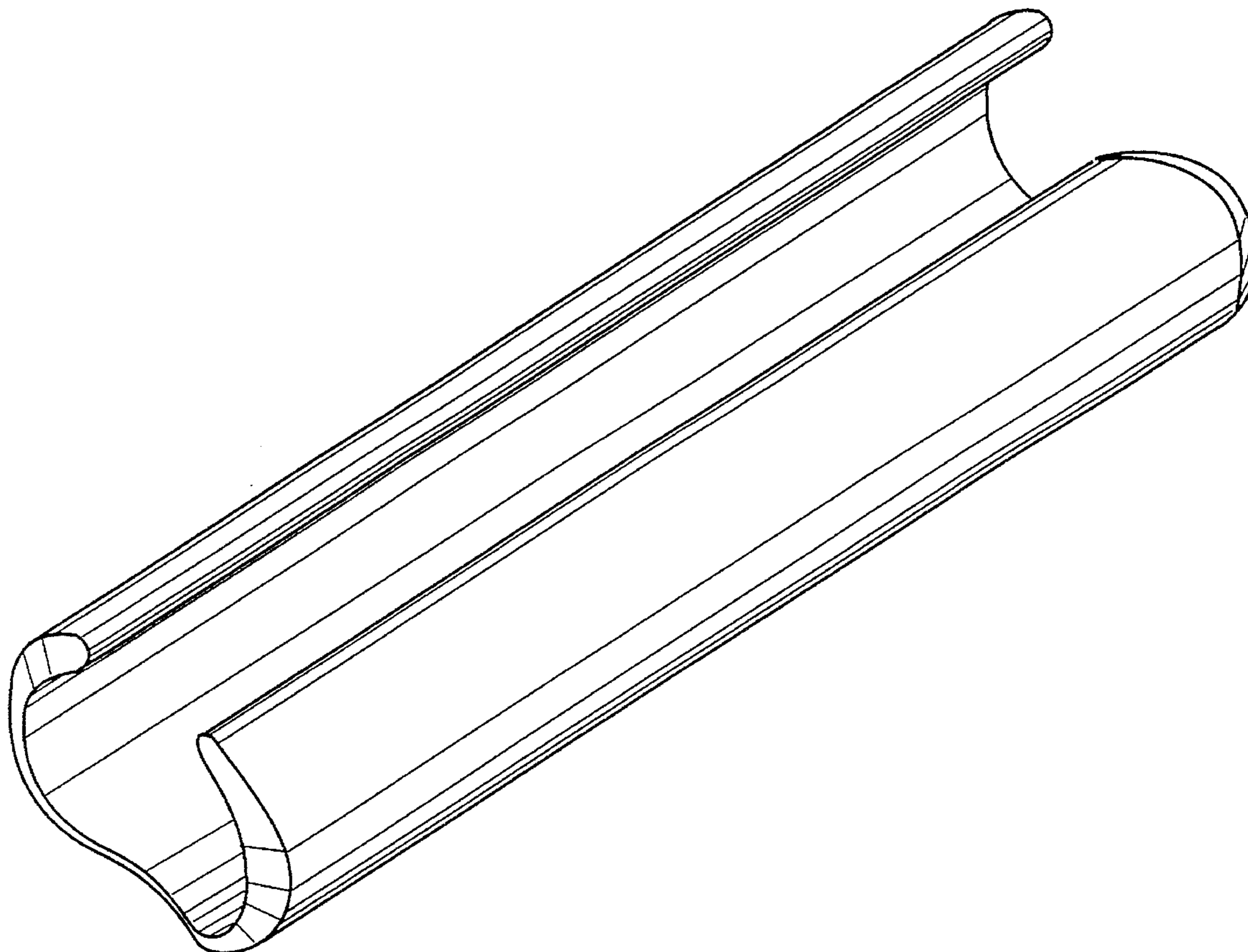


FIG. 1

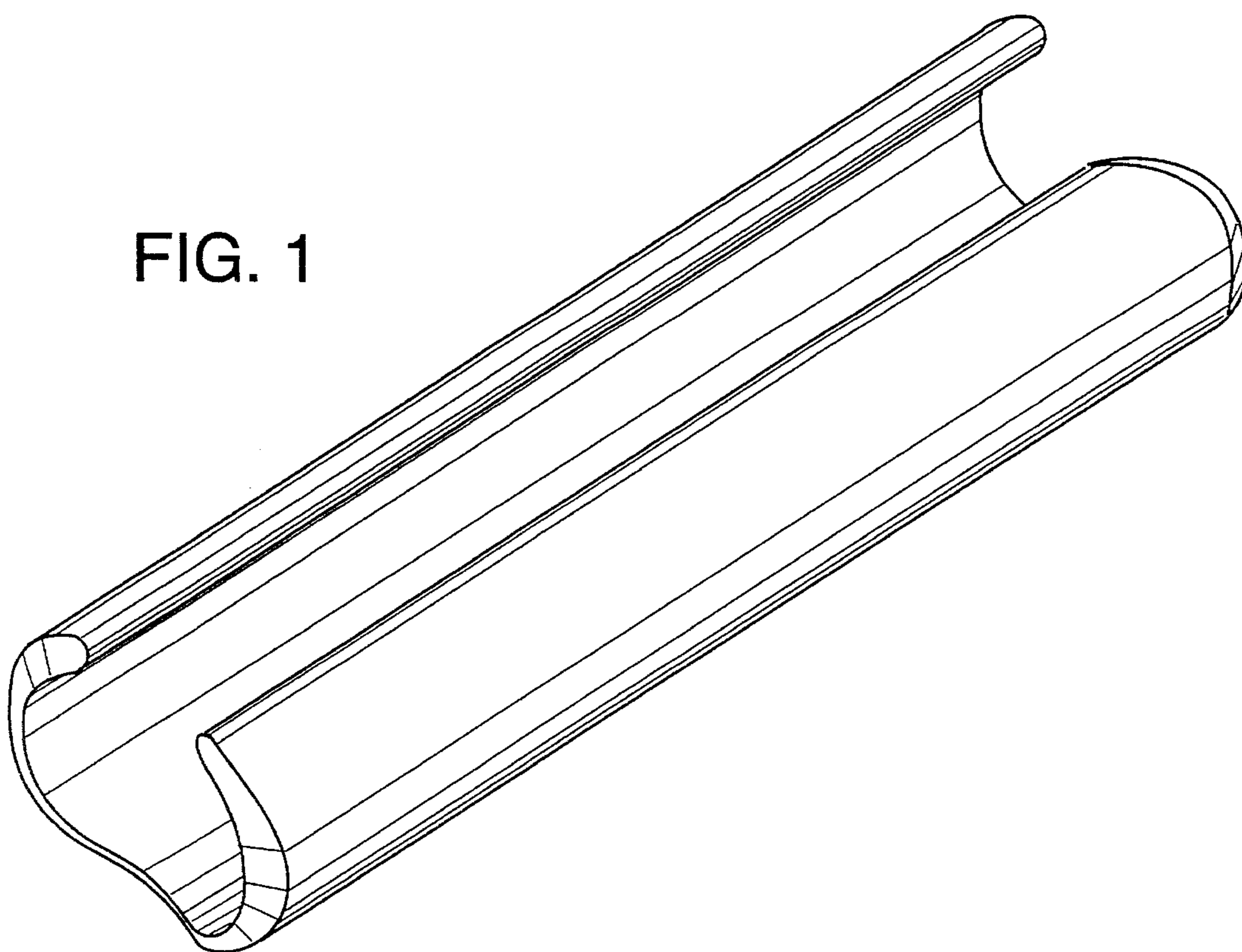


FIG. 2

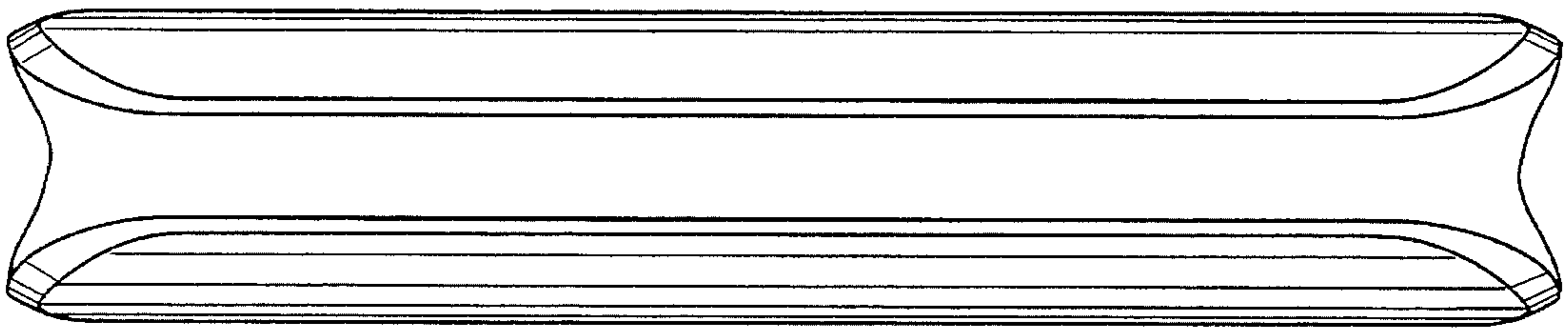


FIG. 3

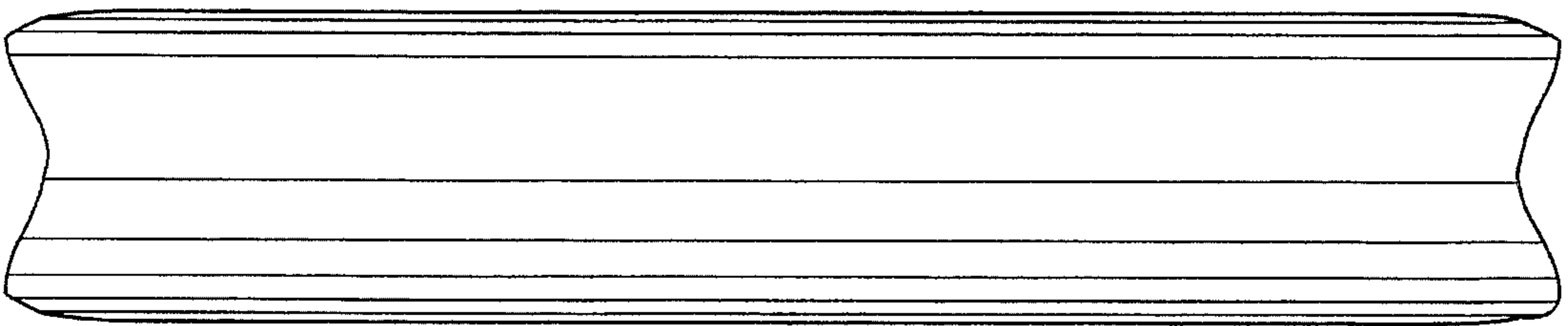


FIG. 4

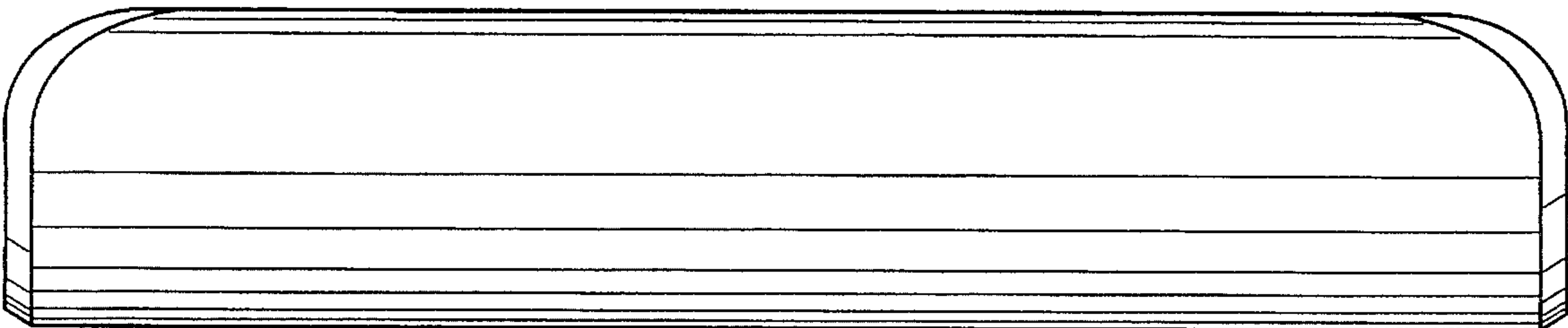


FIG. 5

